

Frigidaire

Factory Parts Catalog



Product No.	FCS367ECB
	37954381H50S2
Series	30" gas
Color	stainless
Market	North America
Wiring Diagram	318271911
Owner's Guide	318203862
Installation Instructions	318201671
Service Data Sheet	318127022
Timer Guide	318200185

 **Electrolux**

Electrolux Major Appliances
North & Latin America
P.O. BOX 212378
AUGUSTA, GA 30917

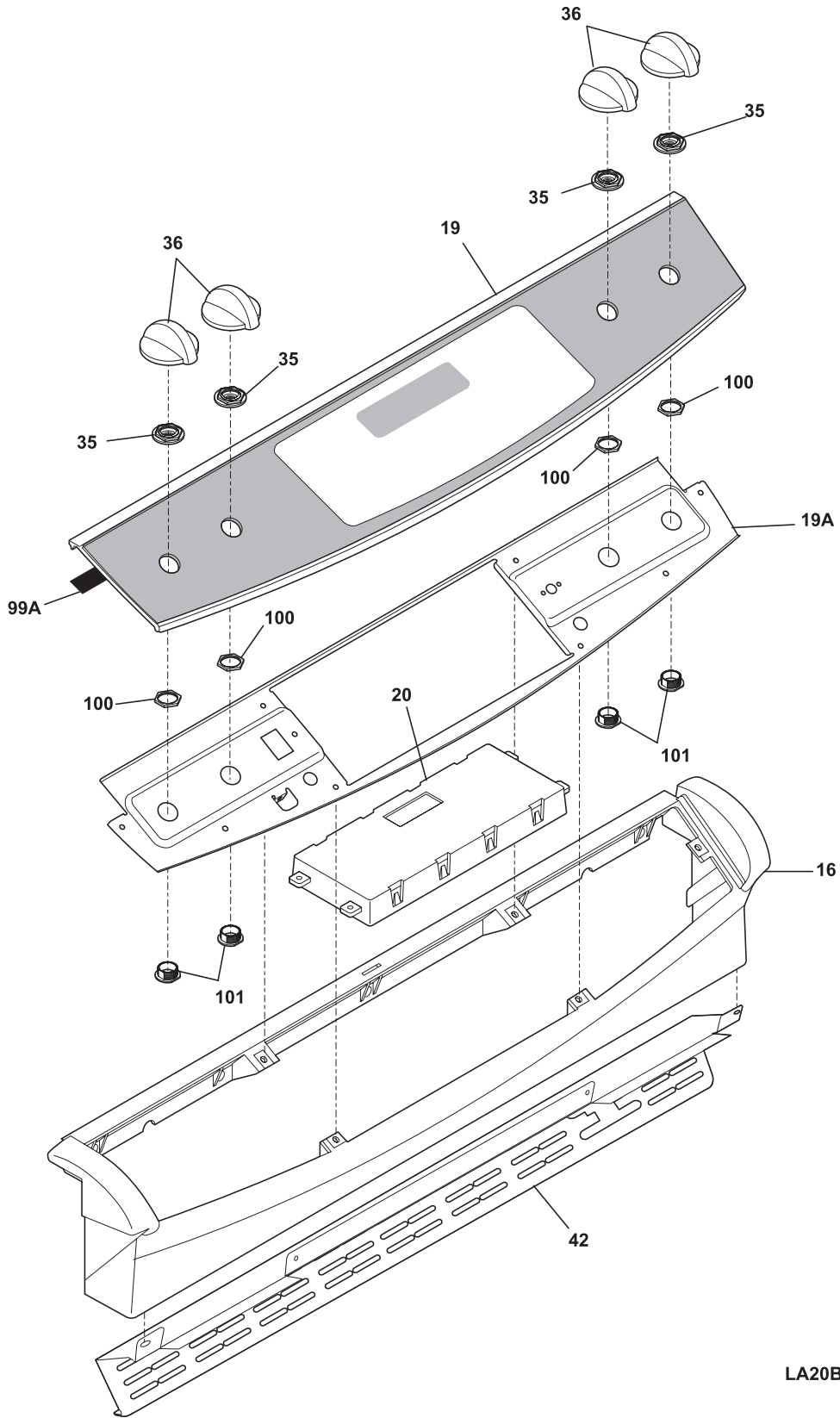
Publication No.
5995456786
05/12/20
(EN/SERVICE/ECL)
377

**30-INCH SLIDE-IN
DUAL FUEL RANGE**

Model No.
FCS367E

Copyright © 2005 Electrolux Home Products, Inc.
All rights reserved.

BACKGUARD



LA20BG0055

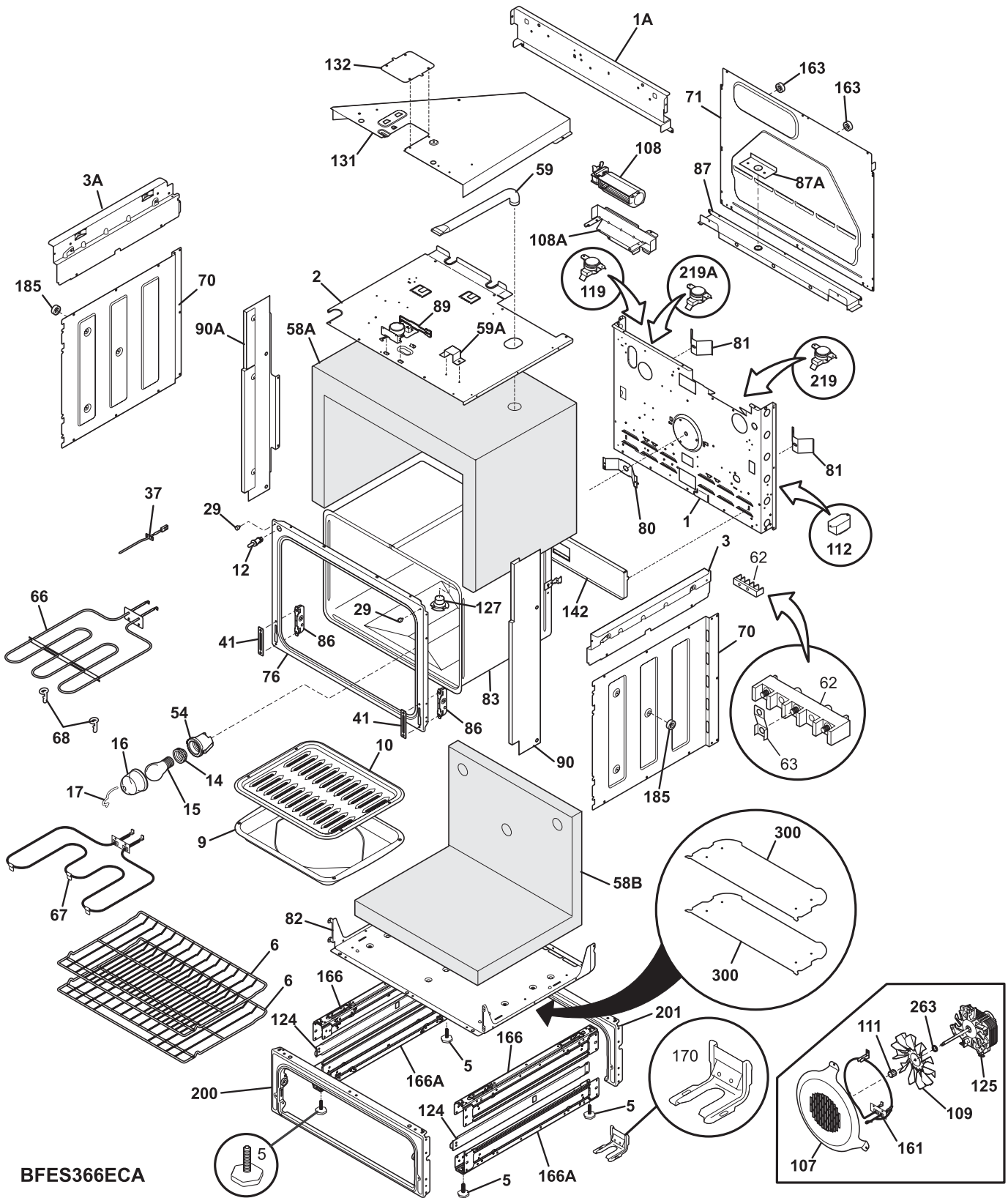
BACKGUARD

POS. NO	PART NO.	DESCRIPTION
16	318299102	Console, assy., black
19	318312231	Control Panel Assembly, w/membrane, stainless
19A	318224404	Panel, control mtg.
20 #	316418532	Clock/Timer, electronic, ES350
20*	5304451726	Screw, control mtg., 8-18 x 1/2"
35	318233720	Retainer, control panel, black
36	316223024	Knob, control, black
42	318298001	Trim, vent, black, upper
99A	318223900	Gasket, dark grey
100	318233800	Nut, hex
101	318233400	Bushing, retainer
* #	318224811	Harness, wiring, timer
*	08016432	Screw, truss head, 8-18 x 0.375
*	5303300265	Screw, 8-18 X 1/2, (2)
*	5303311333	Screw, 8-32 x 3/8

BURNER

POS. NO	PART NO.	DESCRIPTION
1	318305600	Manifold, right side
1A	318305601	Manifold, left side
1B	318305401	Tube, manifold, 3/8, interconnect
2 #	318233920	Valve, top burner, 12000 BTU
2A #	318233940	Valve, top burner, 17000 BTU
2B #	318233900	Valve, top burner, 5000 BTU
2C #	318233910	Valve, top burner, 9500 BTU
3 #	318232600	Wiring Harness, w/igntr switch
10 #	316212300	Burner, sealed, 12K
10A#	316223300	Burner, sealed, 17K
10B#	316206400	Burner, sealed, 5K
10C#	316212400	Burner, sealed, 9.5K
11	318306105	Ignitor Assembly, 12K, left rear, w/tube & holder
11A	318306107	Ignitor Assembly, 16K, right front, w/tube & holder
11B	318306108	Ignitor Assembly, 5K, right rear, w/tube & holder
11C	318306104	Ignitor Assembly, 9.5K, left front, w/tube & holder
13	318305100	Tube, regulator, to manifold
14 #	318122700	Regulator, pressure
14*	5303311306	Screw, 8-18 x 0.375, (3)
15	318262800	Bracket, regulator
16	318590002	Panel, regulator mtg.
37	5303307980	Screw, 8-32 x 0.437, (4)
44	316237901	Orifice, top burner, 12K
44A	316237912	Orifice, top burner, 16K
44B	316237903	Orifice, top burner, 5K
44C	316237902	Orifice, top burner, 9.5K
72	316215600	Screw, valve mtg., 1/4 - 20
77	318192600	Bracket, burner mtg., (5)
300	318322300	Bracket, inlet, long, door
301	318322301	Bracket, inlet, short, block
*	318186911	LP Conversion Kit
*	318199725	Wiring Harness, ignitor
*	08011955	Screw, 10-24 x 0.375, square drive
*	5303211311	Screw, 8 x 0.500

BODY

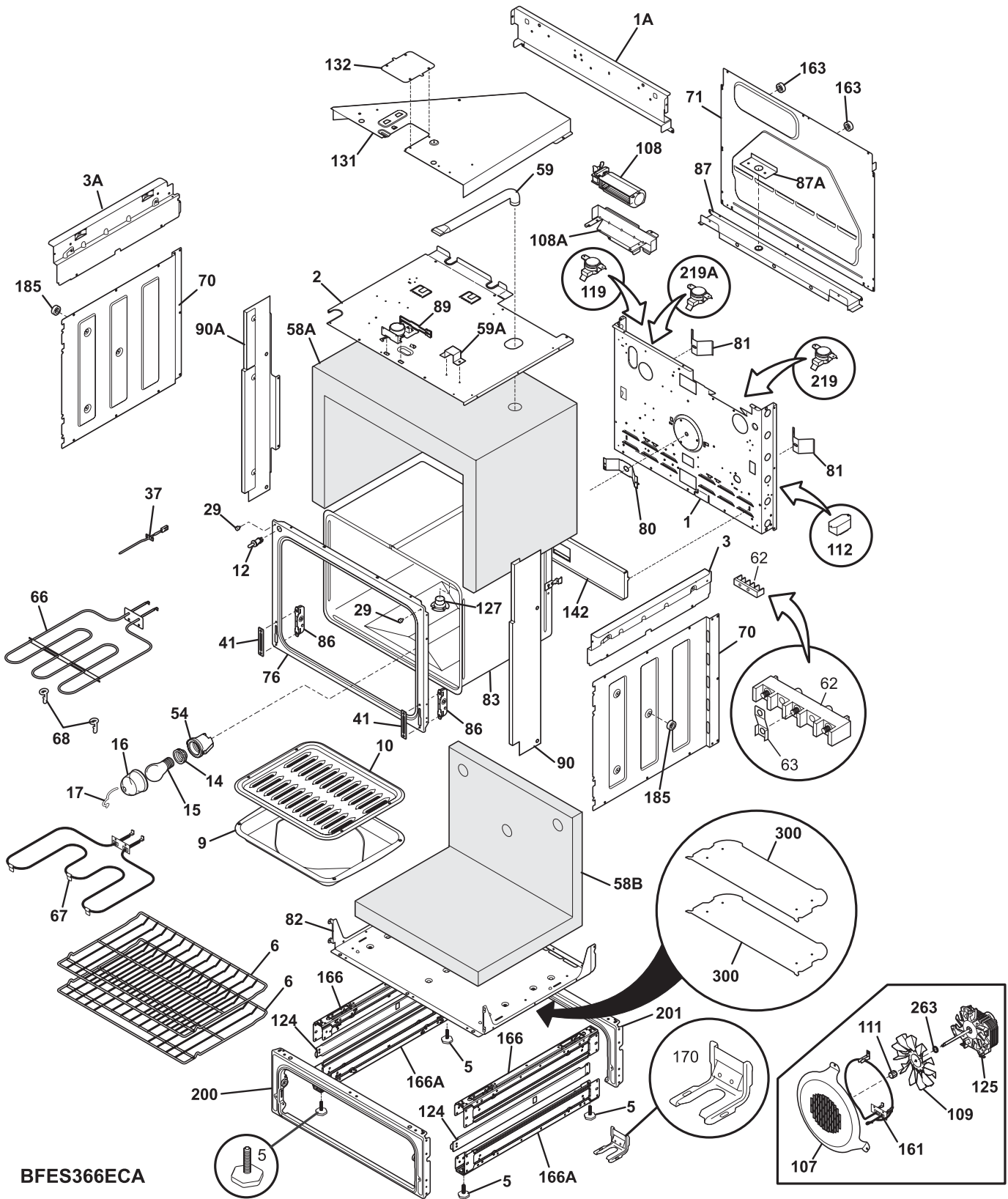


BFES366ECA

BODY

POS. NO	PART NO.	DESCRIPTION
1	318259202	Back, main
1A	318225110	Panel, main back, upper
2	318258902	Shield, insulation, upper
3	318225210	Panel, bodyside, upper RH
3A	318225211	Panel, bodyside, upper LH
5	318175503	Screw, leveling
6	318262502	Rack, oven
9	5303317977	Pan, broiler
10	5303317976	Insert, broiler pan
12 #	318089917	Switch, light
14	318224000	Receptacle, oven light
15	5303013071	Bulb/Lamp, light
16	3201911	Cover, oven light, glass
17	5304400195	Retainer, light cover
29	318147411	Bumper, (2)
37 #	316217002	Probe, oven temp
41	5303310526	Cover, hinge cutout
54	318222400	Housing, oven light
58A	318285055	Insulation, oven wrapper
58B	318285056	Insulation, oven back
59	318072560	Duct, oven vent
59A	318261600	Bracket, vent tube
62	5303935061	Terminal Block Kit
62*	5303323139	Screw, 10-24 x 0.906
62*	5303323144	Nut, 10-32
63	318264200	Plate, grounding strap
66 #	318255600	Element, broil, 2750W
67 #	318255401	Element, bake, 3400W
68	5304403015	Support, hanger, (2), broil element
70	318259100	Shield, insulation, sides, (2)
71	318260007	Panel, rear box
76	318056217	Front, oven
80	5303320846	Plate, oven mtg
81	318192400	Spring, oven
82	318258707	Shield, insulation, lower
83	318261404	Liner, oven assy
86	5303310524	Receptacle, hinge
87	318260609	Bracket, cable mtg.
87A	318111804	Plate, cord set mtg
89 #	318261202	Motor, latch assy
90	318296904	Panel, filler, black, RH
90A	318296905	Panel, filler, black, LH
107	318219401	Cover, fan
108#	318073018	Motor, blower
*	318249401	Tube, protector
108A	318251300	Bracket, fan support
109	316136400	Blade, fan
111	316136600	Nut, fan retainer
112#	318112703	Relay
119#	318005202	Switch, thermal cutout
124	318300800	Bracket, glide, (2)

BODY

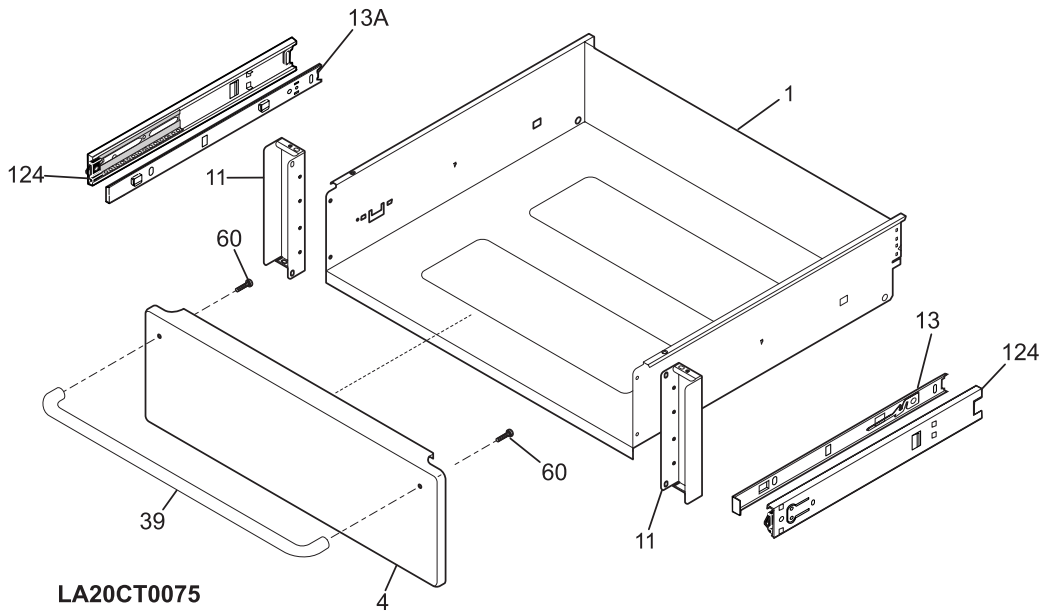
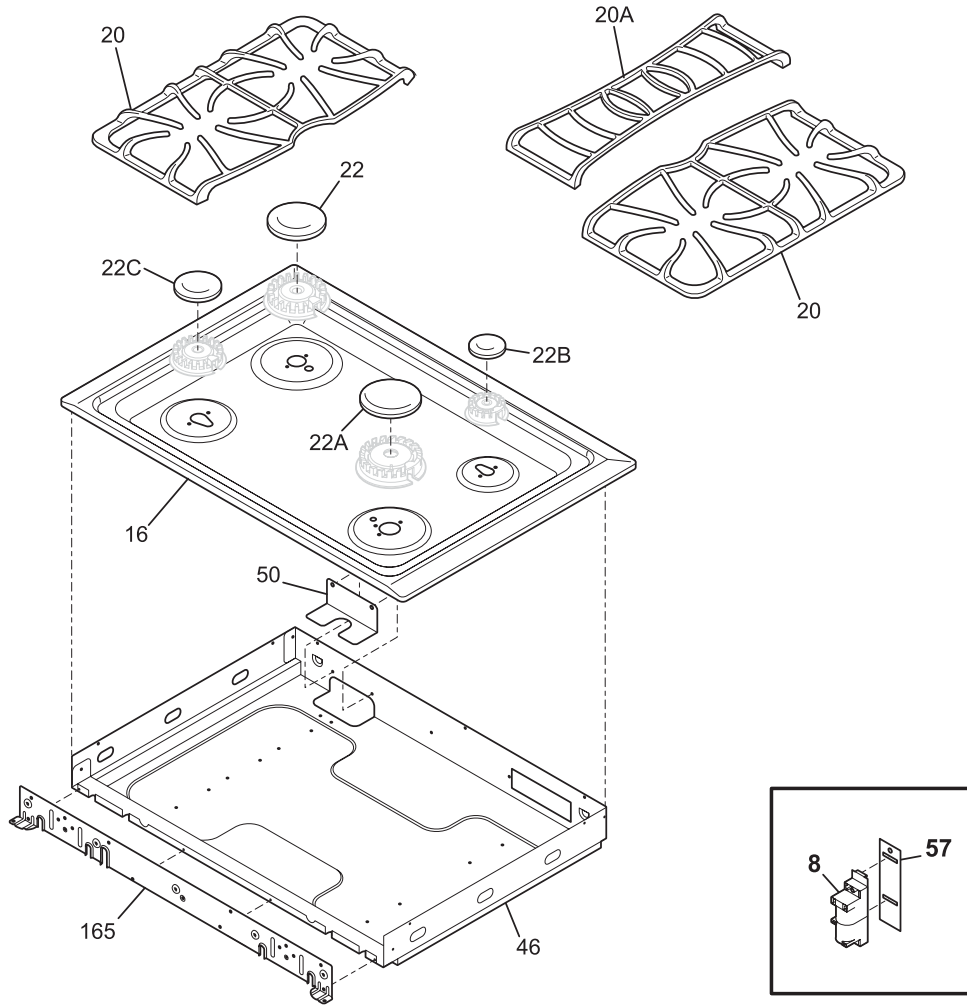


BFES366ECA

BODY

POS. NO	PART NO.	DESCRIPTION
125#	316415800	Motor, fan
127	318317100	Adapter Assembly, vent tube, w/converter
131	318272900	Box, vent
132	318003000	Plate, shield
142	318123910	Deflector
163	318014110	Spacer, (6)
166	318298400	Bracket, base support, (4)
166A	318298403	Bracket, base support, lower, (2)
170	318335500	Anti-tip & accessories
185	318165800	Spacer, (2)
200	318298201	Frame, drawer, black, front
201	318298210	Frame, drawer
219#	318003614	Thermostat, safety
219A	318003613	Thermostat, safety
263	316136500	Washer, flat
300	318326500	Shield, heat
* #	318224935	Harness, wiring, main
*	318235300	Connector assy., w/3 lugs, & instructions
*	3051050	Screw, shoulder
*	3201861	Screw, 6 x 0.375, (4)
*	08016432	Screw, truss head, 8-18 x 0.375
*	5303211311	Screw, 8 x 0.500
*	5303307980	Screw, 8-32 x 0.437, (4)
*	5303323129	Screw, 8 X 0.750
*	5304415832	Screw, 8-18 x 0.406
*	5304436875	Screw, 8-18 X 1/2, black

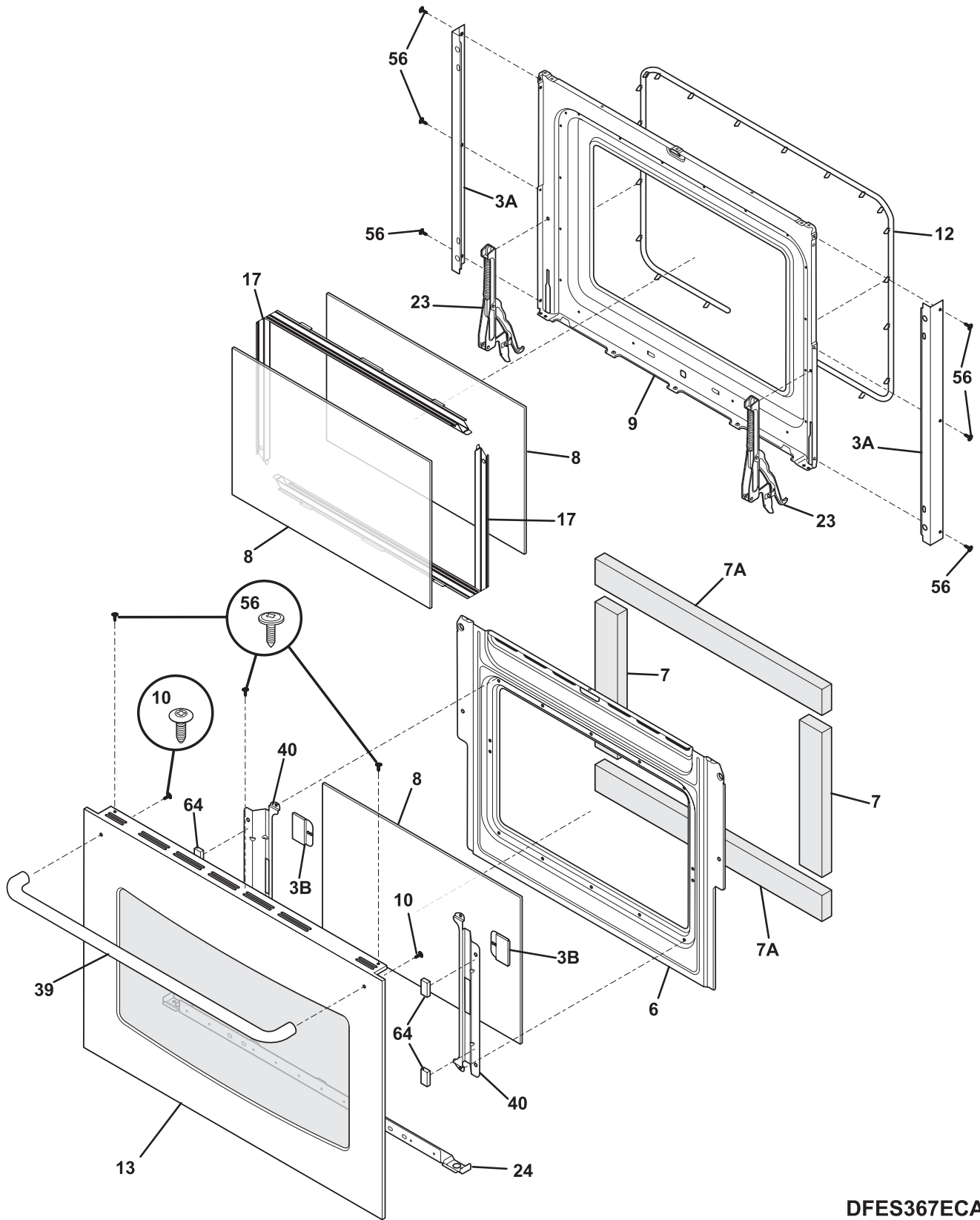
TOP



TOP

POS. NO	PART NO.	DESCRIPTION
1	318107308	Drawer
4	318298800	Panel, drawer, stainless, front
4	318298810	Panel, drawer, stainless, front
8 #	316135701	Module, spark
11	318298601	Bracket, drawer support, (2)
13	318259501	Glide, warmer, inner RH
13A	318259500	Glide, warmer, inner LH
16	318320005	Maintop Assembly, black
20	316424603	Grate, black, (2)
20A	318307103	Grate, black, center
22	316213605	Cap, 12K burner, black
22A	316271904	Cap, 17K burner, black
22B	316206604	Cap, 5K burner, black
22C	316213505	Cap, 9.5K burner, black
39	316079500	Handle door/drawer, stainless
46	318291401	Box, burner
50	318328501	Cover, burner box
57	318295610	Panel, service
60	5303311174	Screw, 10-24 x 3/8
124	316105501	Glide, warmer drawer, outer/RH & LH, (2)
165	318227504	Plate, mounting
*	318163600	Cleaner, cooktop
*	318014110	Spacer, (6)
*	5303325171	Washer, plastic
*	08016432	Screw, truss head, 8-18 x 0.375
*	5303211311	Screw, 8 x 0.500
*	5303300265	Screw, 8-18 X 1/2, (2)
*	5303311333	Screw, 8-32 x 3/8

DOOR



DFES367ECA

DOOR

POS. NO	PART NO.	DESCRIPTION
3A	318260401	Trim, oven door, side, (2)
3B	318262101	Cover, rear door, black, (2)
6	318260500	Baffle, door
7	318285057	Insulation, oven door
7A	318285062	Insulation, oven door
8	316117500	Glass, oven door, heat barrier
9	318259605	Liner, door
10	5304400794	Screw, handle mtg, 10-32 x 3/4
12	318053130	Seal, oven door
13	318272161	Door Assy, glass, stainless steel, outer
17	316402403	Spacer, door glass, (2)
23	318024714	Hinge, door, (2)
24	318260301	Trim, door, black, lower
39	316079500	Handle door/drawer, stainless
40	318242700	Bracket, glass holder, (2)
56	5304436875	Screw, 8-18 X 1/2, black
64	318165800	Spacer, (2)
*	316221001	Label, anti-tip
*	5304415832	Screw, 8-18 x 0.406

WIRING DIAGRAM

