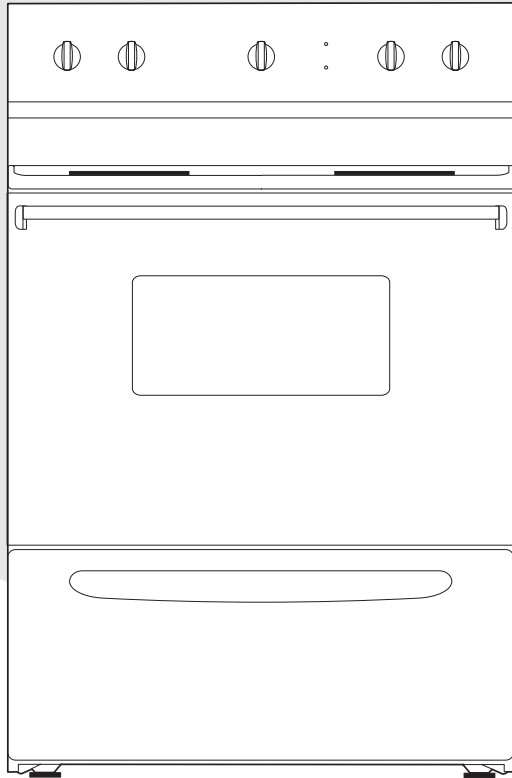


Frigidaire

 **Electrolux**

FACTORY
PARTS CATALOG



PRODUCT NO.	BASE MODEL NO.	COLOR	MARKET
FEF316BQA	FEF316B	bisque	North America
FEF316BSA	FEF316B	white	North America

WIRING DIAGRAM - #316255194
OWNER'S GUIDE - # 316257101
INSTALLATION INSTRUCTIONS -# 316259200

**ELECTRIC
RANGE**

Model No.
FEF316B

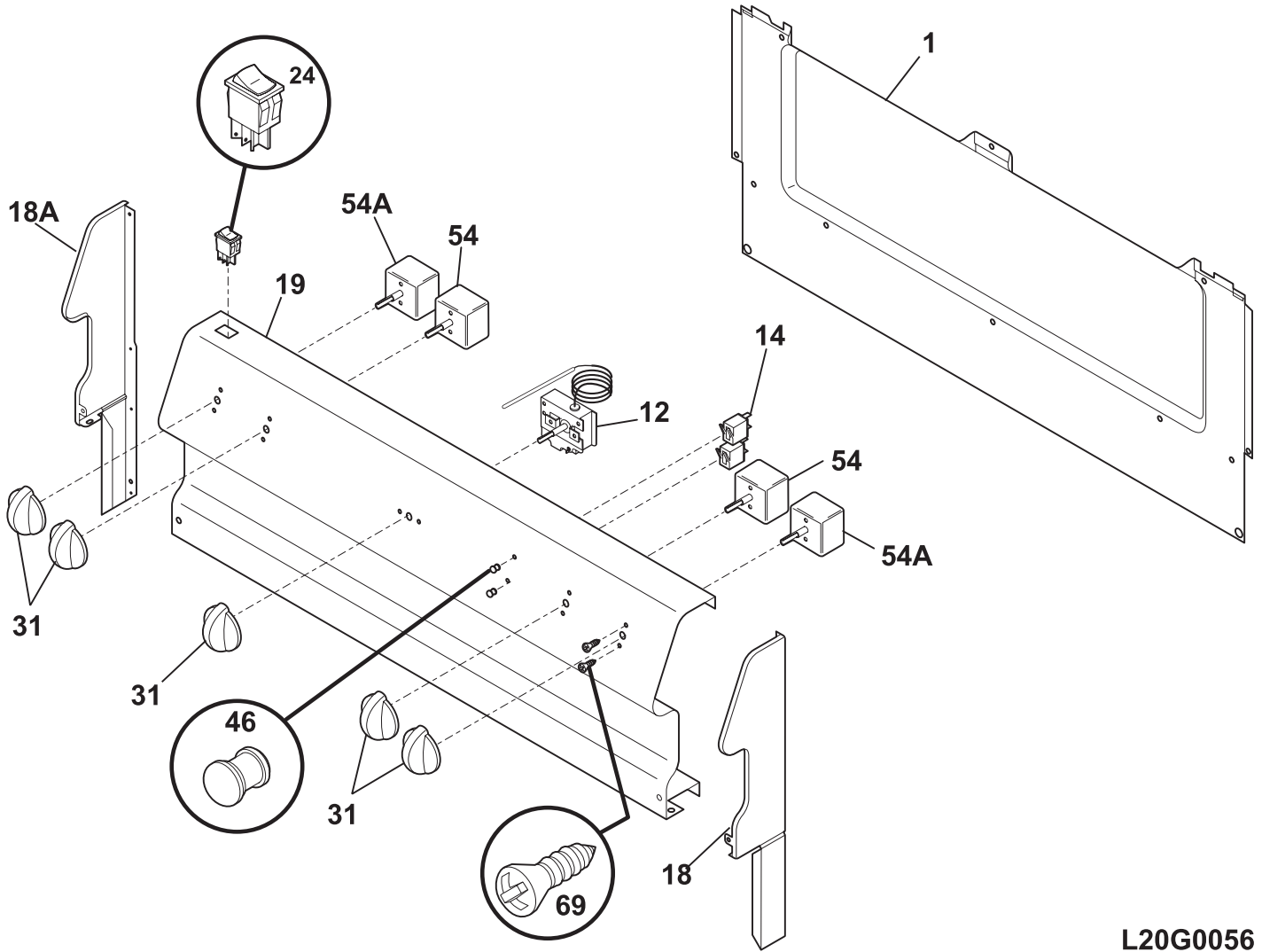
 **Electrolux**

ELECTROLUX HOME PRODUCTS, INC.
P.O. Box 212378, Augusta, GA 30917

Publication No.
5995384400
030121
-EN/SERVICE /ECL
369

©2003 Electrolux Home Products, Inc.
All rights reserved

BACKGUARD



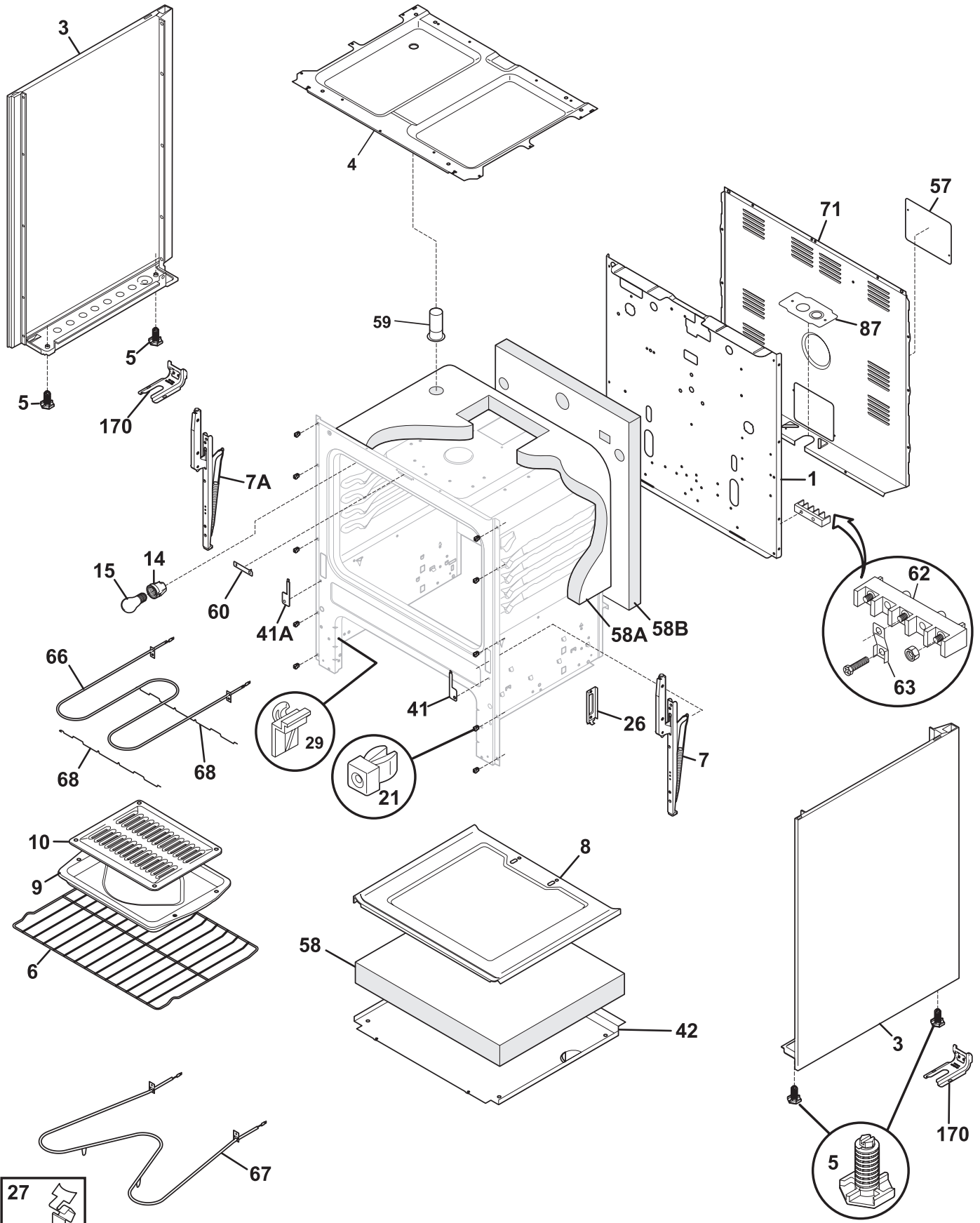
L20G0056

BACKGUARD

A = FEF316B (FEF316BSA)
B = FEF316B (FEF316BQA)

POS. NO	PART NO		DESCRIPTION
1	5303289640	A B	Shield,backguard ,rear wall
12 #	316032403	A B	Thermostat
14	316022503	A B	Light/Lamp,indicator ,surface ,250 V
18	316263404	A -	End Cap,white ,RH
18	316263406	- B	End Cap,bisque ,RH
18A	316263405	A -	End Cap,white ,LH
18A	316263407	- B	End Cap,bisque ,LH
19	316263313	A -	Panel,backguard ,white
19	316263314	- B	Panel,backguard ,bisque
24	316246000	A -	Switch,rocker ,white ,oven light
24	316246002	- B	Switch,rocker ,bisque ,oven light
31	316223000	A -	Knob,control ,white
31	316223003	- B	Knob,control ,bisque
46	316040201	A B	Lens,indicator light ,red
54 #	316021500	A B	Switch,infinite ,small element
54A#	316021501	A B	Switch,infinite ,large element
69	5303288565	A B	Screw,truss sqdr ,8-32 x 3/16 ,switch mtg
*	316021108	A B	Screw,cup pt ,8-18 x 0.375 ,chrome
*	316021109	A B	Screw,8-18 x 0.5 ,chrome
*	316021110	A B	Screw,8-18 x 0.5 ,black

BODY



**NOTE: Oven Liner N/A
Ass. du four N/A**

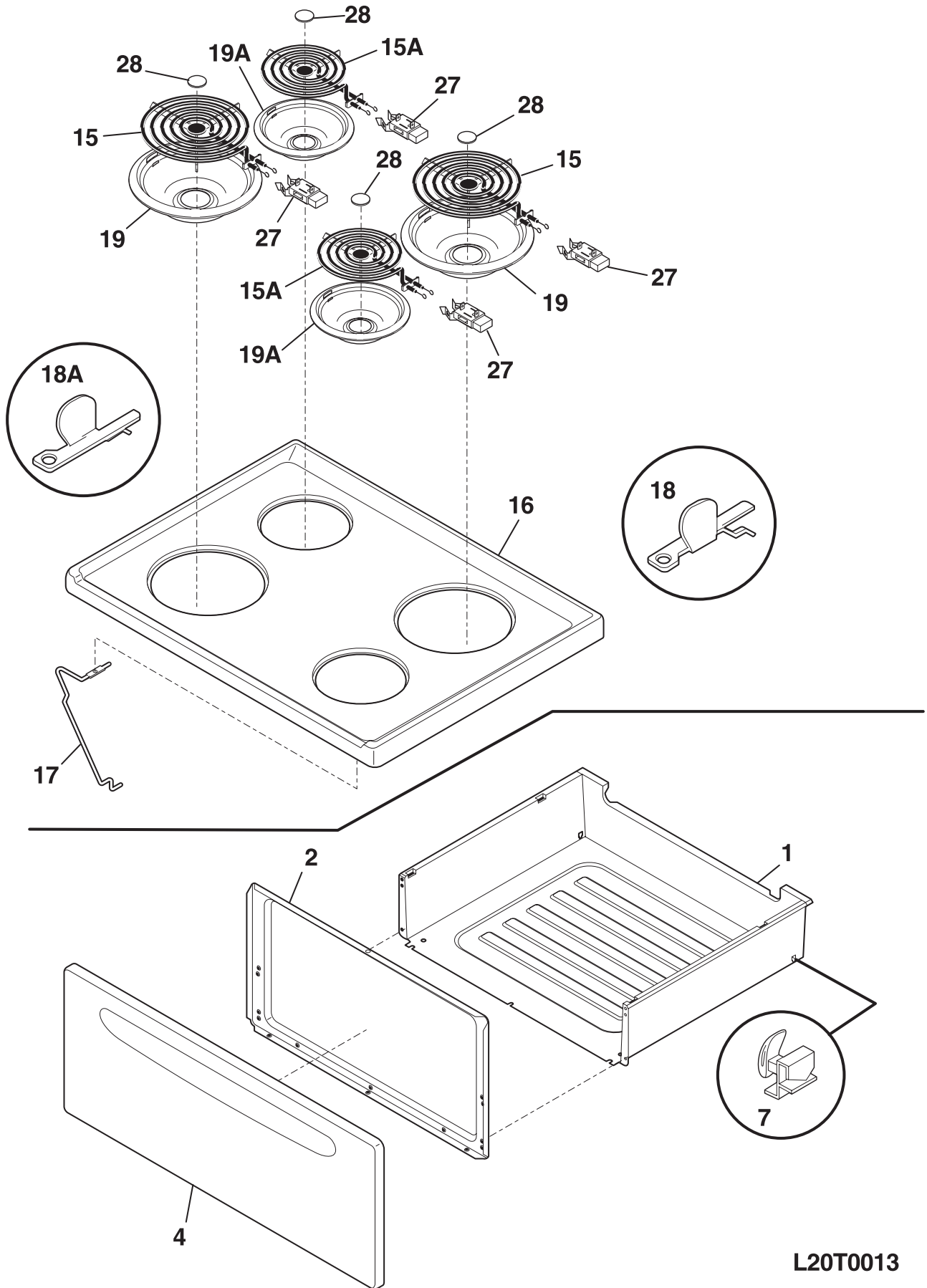
L20V0024

BODY

A = FEF316B (FEF316BSA)
B = FEF316B (FEF316BQA)

POS. NO	PART NO		DESCRIPTION
1	316201300	A B	Back,main
3	316230114	A -	Panel,bodyside ,white ,RH
3	316230115	A -	Panel,bodyside ,white ,LH
3	316230118	- B	Panel,bodyside ,bisque ,RH
3	316230119	- B	Panel,bodyside ,bisque ,LH
3*	316021131	A -	Screw,bodyside ,8-18 X 11/16 ,white
3*	316021133	- B	Screw,bodyside ,8-18 X 11/16 ,bisque
4	316201401	A B	Burner Box
5	316129200	A B	Screw,leveling ,plastic ,with stop
6	316067902	A B	Rack,oven
7	316216508	A B	Hinge,oven door ,RH
7A	316216509	A B	Hinge,oven door ,LH
8	3203540	A B	Panel,oven bottom
9	316081900	A B	Pan,broiler
10	316082000	A B	Insert,broiler pan
14	316116400	A B	Receptacle,oven light
15	5303013071	A B	Bulb/Lamp,oven light
21	3014099	A B	Spacer,bodyside
26	316206300	A B	Support,chassis ,(2)
27	5303284616	A B	Clip,thermo bulb mtg
29	3051162	A B	Glide,drawer ,front
41	316233400	A B	Cover,hinge cutout ,RH
41A	316233500	A B	Cover,hinge cutout ,LH
42	316206200	A B	Shield,wool ,lower
57	316081100	A B	Cover,access
58	3200847	A B	Insulation,oven bottom
58A	316047707	A B	Insulation,1" ,oven wrapper
58B	316054202	A B	Insulation,1" ,oven back
59	316073605	A B	Tube,oven vent
60	316239100	A B	Cover,oven front
62 #	5303935061	A B	Terminal Block Kit
62*	316205500	A B	Nut,hex flange ,3/8 10-32
63	316208500	A B	Plate,grounding strap
66 #	316203200	A B	Element,broil
67	316075103	A B	Element,bake
68	316203400	A B	Support,broil element
71	316015810	A B	Shield,rear wall ,galv steel
87	316081200	A B	Bracket,cable mtg
170	5303935180	A B	Anti-tip Kit,w/bracket,screw
170*	316107200	A B	Bracket,anti-tip
170*	316112500	A B	Template,anti-tip
170*	316116000	A B	Screw,concrete ,1.75" ,anti-tip brkt
* #	316253128	A B	Wiring Harness,main
*	3203550	A B	Plug,button ,oven bottom
*	316210800	A B	Plug,button ,oven light
*	316246400	A B	Plug,button ,oven probe
*	316073400	A B	Plate,weight ,(3)
*	5303305324	A -	Paint,touch-up ,white
*	5304414035	- B	Paint,touch-up ,bisque
*	316021108	A B	Screw,cup pt ,8-18 x 0.375 ,chrome
*	5303271648	A B	Screw,wafer hd sq dr ,8-18AB x 0.5
*	5303280311	A B	Screw,wafer hd sq dr ,10-32 x 0.312
*	5303285179	A B	Screw,wafer head ,8-32T x 0.500 ,black
*	5308014215	A B	Screw,6-20 x 0.312

TOP/DRAWER



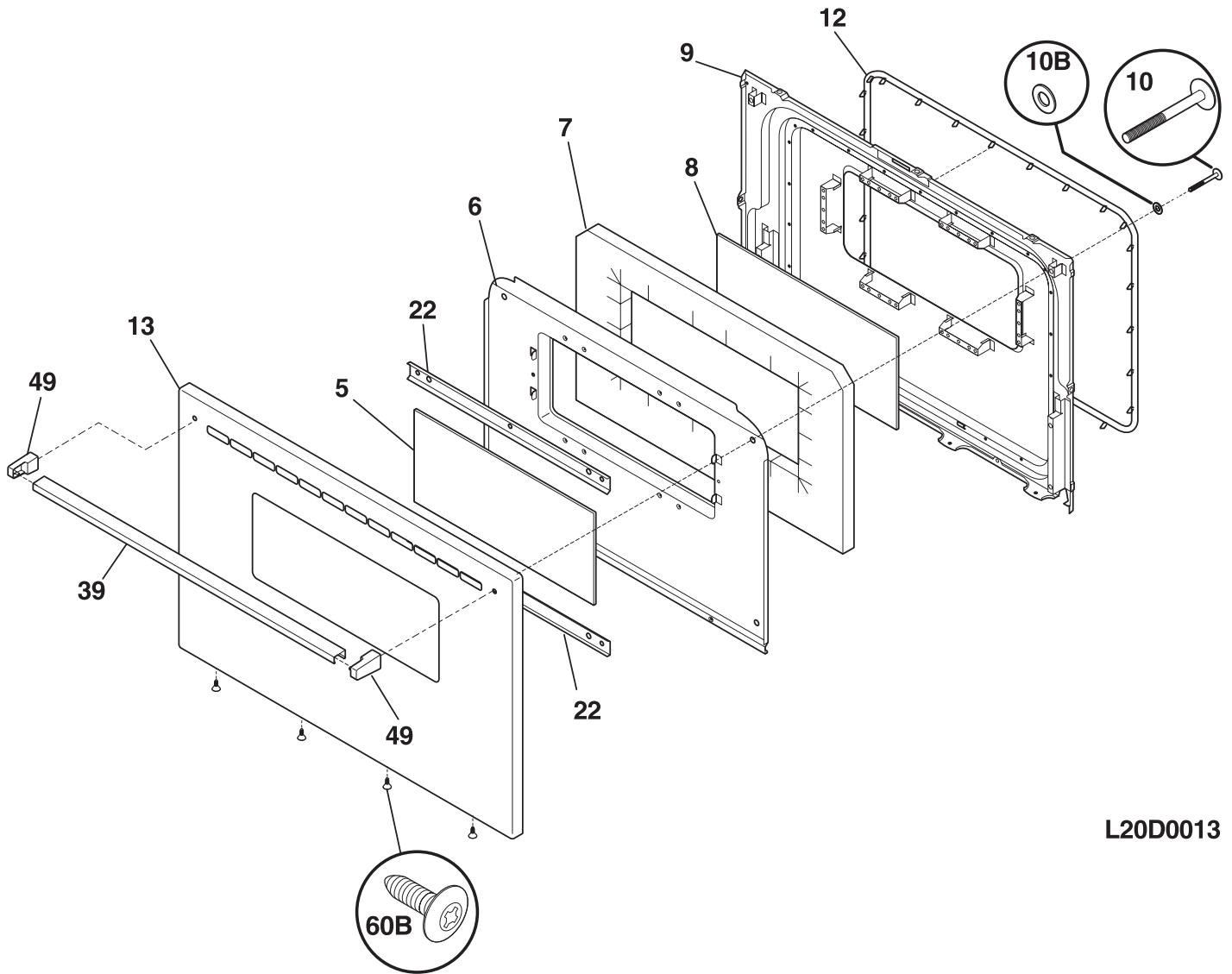
L20T0013

TOP/DRAWER

A = FEF316B (FEF316BSA) B = FEF316B (FEF316BQA)
--

POS. NO	PART NO		DESCRIPTION
1	316011503	A B	Drawer
2	316231500	A B	Liner,drawer
4	316231305	A -	Panel,drawer ,white
4	316231309	- B	Panel,drawer ,bisque
7	3051163	A B	Glide,drawer ,rear
15 #	3051450	A B	Element,surface ,8" large
15A#	3051449	A B	Element,surface ,6" small
16	316245402	A -	Main Top,white
16	316245405	- B	Main Top,bisque
17	316066900	A B	Rod,maintop support
18	08067747	A B	Bracket,hinge ,main top RH
18A	08067746	A B	Bracket,hinge ,main top LH
19 #	316048413	A B	Pan-surface element,chrome ,large/8 inch,(2)
19A#	316048414	A B	Pan-surface element,chrome ,small/6 inch,(2)
27 #	5303912666	A B	Terminal Block Kit,surface element
28	5303017715	A B	Medallion,1 1/2"dia ,black ,surface element
* #	316253524	A B	Wiring Harness,surface element
*	316021108	A B	Screw,cup pt ,8-18 x 0.375 ,chrome
*	316021109	A B	Screw,8-18 x 0.5 ,chrome
*	316021110	A B	Screw,8-18 x 0.5 ,black
*	5303280311	A B	Screw,wafer hd sq dr ,10-32 x 0.312
*	5308014215	A B	Screw,6-20 x 0.312

DOOR



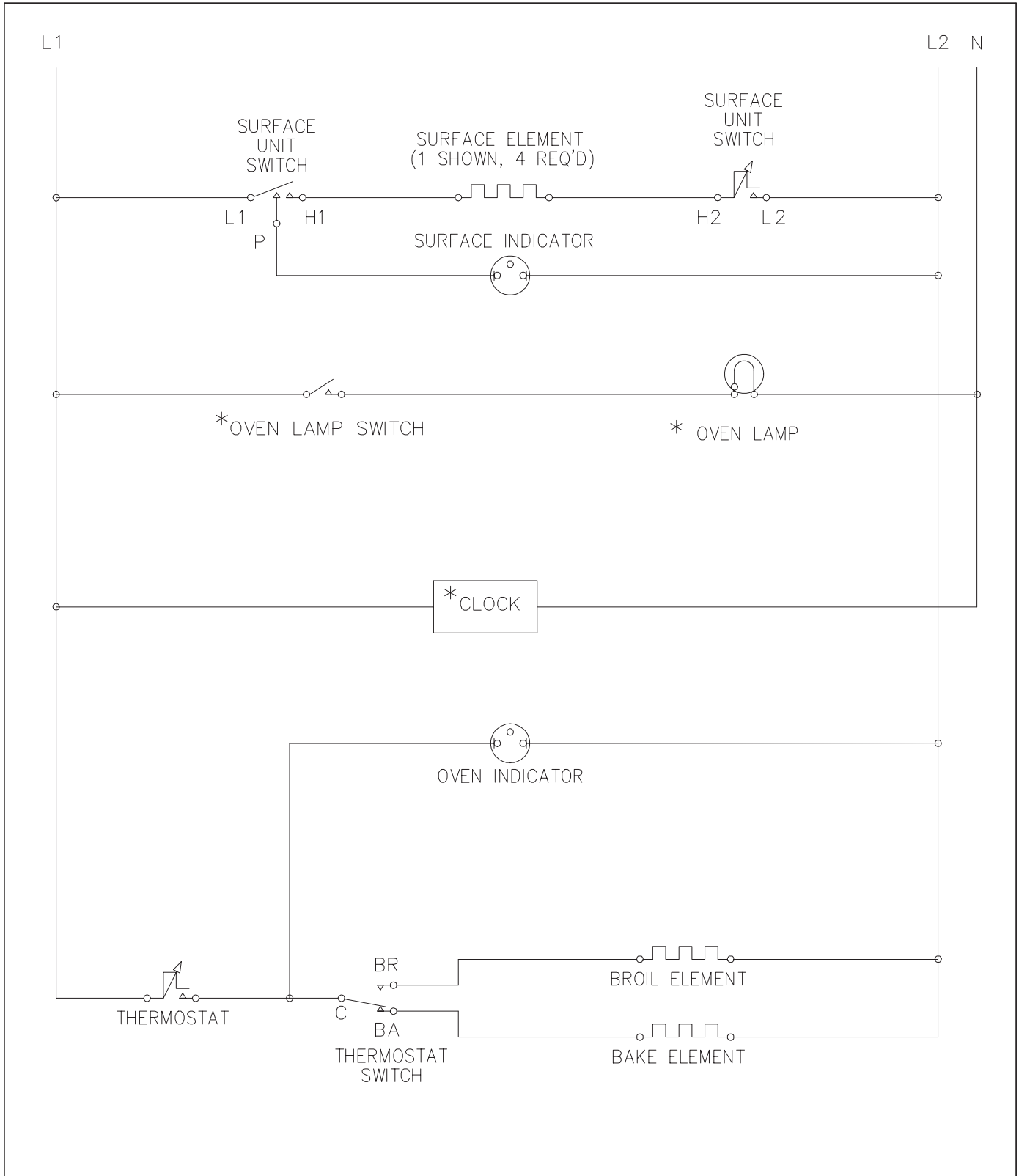
L20D0013

DOOR

A = FEF316B (FEF316BSA)
B = FEF316B (FEF316BQA)

POS. NO	PART NO		DESCRIPTION
5	316050307	A B	Glass,oven door ,white ,outer
6	316222709	A B	Shield,oven door ,wool
7	316236801	A B	Insulation,oven door
8	316088600	A B	Glass,oven door ,inner
9	316230604	A B	Liner,oven door
10	316001009	A B	Screw,waf hd sq ,10-24 x 1.88 ,(2) ,handle mtg
10B	316008401	A B	Washer,3/4 OD x 1/4 ID ,steel
12	316239700	A B	Seal,oven door
13	316202702	A -	Panel,oven door ,white
13	316202704	- B	Panel,oven door ,bisque
22	5303272476	A B	Retainer,glass ,(2) ,angle
39	316020202	A -	Handle,oven door ,white
39	316020206	- B	Handle,oven door ,bisque
49	316137000	A -	End Cap,handle ,white ,(2)
49	316137002	- B	End Cap,handle ,bisque ,(2)
60B	316021110	A B	Screw,8-18 x 0.5 ,black
*	316245600	A B	Seal,door ,air gap
*	316021109	A B	Screw,8-18 x 0.5 ,chrome
*	5303271648	A B	Screw,wafer hd sq dr ,8-18AB x 0.5
*	5303280311	A B	Screw,wafer hd sq dr ,10-32 x 0.312
*	5303285179	A B	Screw,wafer head ,8-32T x 0.500 ,black

WIRING SCHEMATIC



THERMOSTAT SELECTOR SWITCH		
CONTACTS	BAKE	BROIL
C-BA	X	
C-BR		X
X INDICATES CONTACTS CLOSED		

* THESE COMPONENTS MAY NOT APPEAR ON ALL MODELS.

316255194

WIRING DIAGRAM

