

Frigidaire

Factory Parts Catalog

Product No.	FEF352FSA	FEF352FUA	FEF352FWA
Series	30" f/s elec	30" f/s elec	30" f/s elec
Color	white	black/bisque	black/white
Market	North America	North America	North America
Wiring Diagram	316417700	316417700	316417700
Owner's Guide	316417007	316417007	316417007
Installation Instructions	316454901	316454901	316454901
Service Data Sheet	316417613	316417613	316417613

 **Electrolux**

Electrolux Major Appliances
 North & Latin America
 P.O. BOX 212378
 AUGUSTA, GA 30917

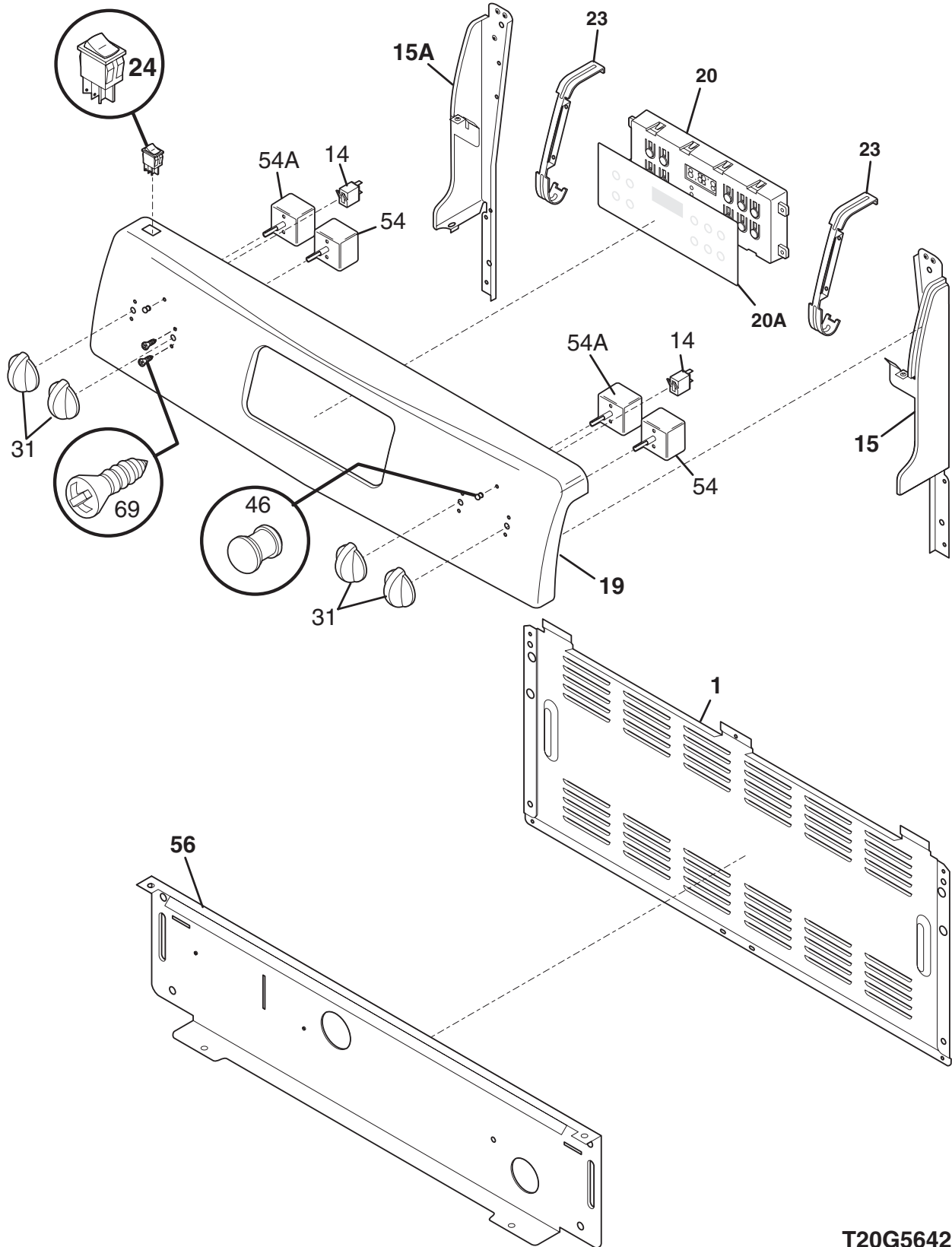
Publication No.
5995460010
 06/02/01
 (EN/SERVICE/ECL)
 369

**30-INCH FREE-
 STANDING ELECTRIC
 RANGE**

**Model No.
 FEF352F**

Copyright © 2006 Electrolux Home Products, Inc.
 All rights reserved.

BACKGUARD



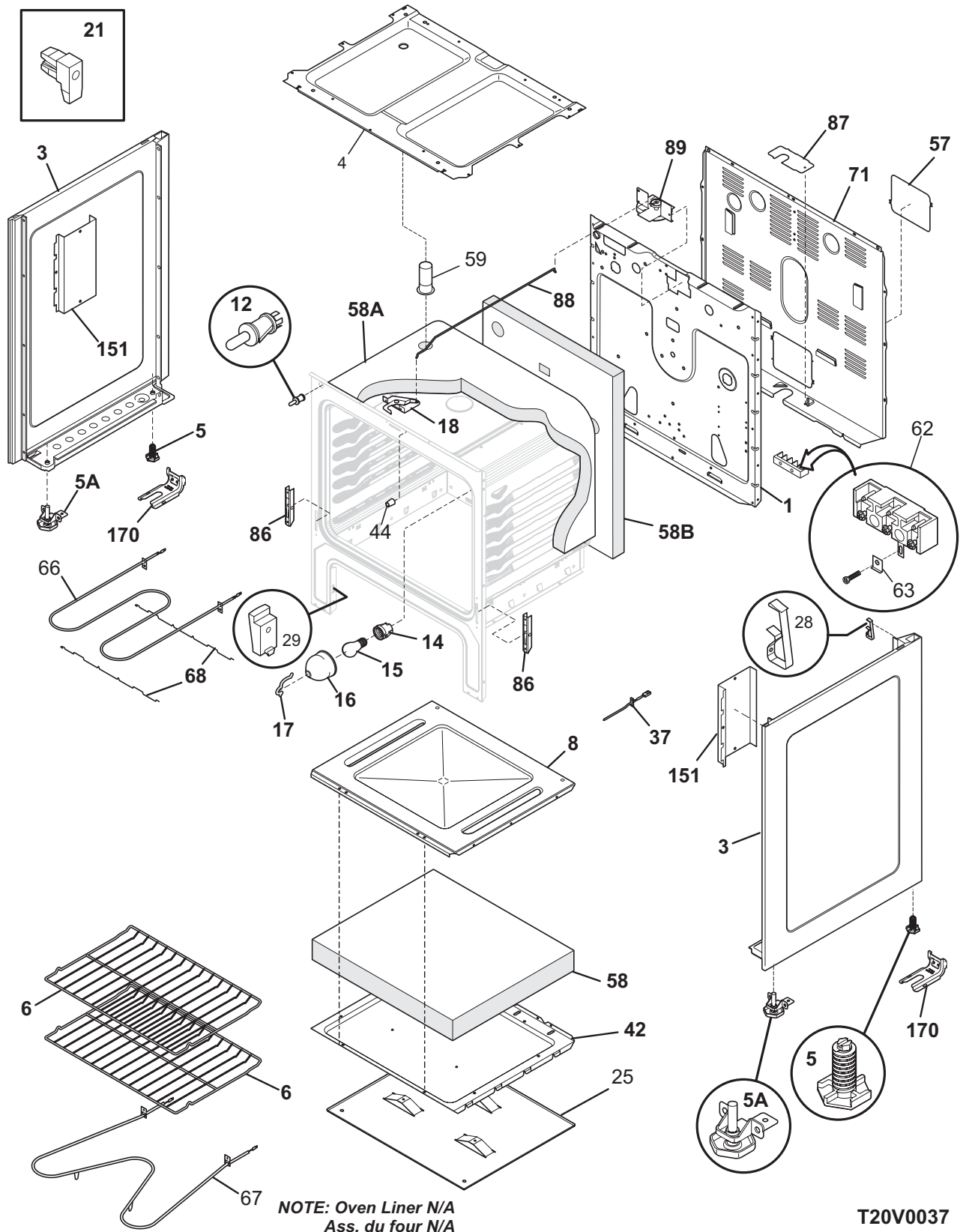
T20G5642

BACKGUARD

Model Index: A FEF352F (FEF352FSA)
 B FEF352F (FEF352FWA)
 C FEF352F (FEF352FUA)

POS. NO	PART NO.		DESCRIPTION
1	316416100	A B C	Shield, backguard, rear wall
14	316022500	A B C	Light/Lamp, indicator, 125 V
15	316411403	A - -	Support, backguard, white, RH
15	316411405	- B C	Support, backguard, black, RH
15A	316411402	A - -	Support, backguard, white, LH
15A	316411404	- B C	Support, backguard, black, LH
19	316445207	A - -	Panel-backguard, white
19	316445206	- B C	Panel-backguard, black
20 #	316418204	A B C	Clock/Timer, electronic, ES200
20A	316419101	A - -	Overlay, clock, white, ES200
20A	316419100	- B C	Overlay, clock, black, ES200
23	316441600	A B C	Bracket-clock mtg, black
24 #	316448701	A - -	Switch, rocker, white, oven light
24 #	316448700	- B C	Switch, rocker, black, oven light
31	316223000	A - -	Knob, control, white
31	316223002	- B C	Knob, control, black
46	316040201	A B C	Lens, indicator light, red
54 #	316436000	A B C	Switch, infinite, small element
54A#	316436001	A B C	Switch, infinite, large element
56	316234012	A - -	Shield, backguard, white, inner
56	316234013	- B C	Shield, backguard, black, inner
69	5303288565	A B C	Screw, truss sqdr, 8-32 x 3/16, switch mtg
*	316021105	A B C	Screw, hex head cup pt, 8-18 x 0.375, black
*	316021109	A B C	Screw, 8-18 x 0.5, chrome
*	316021110	A B C	Screw, 8-18 x 0.5, black

BODY



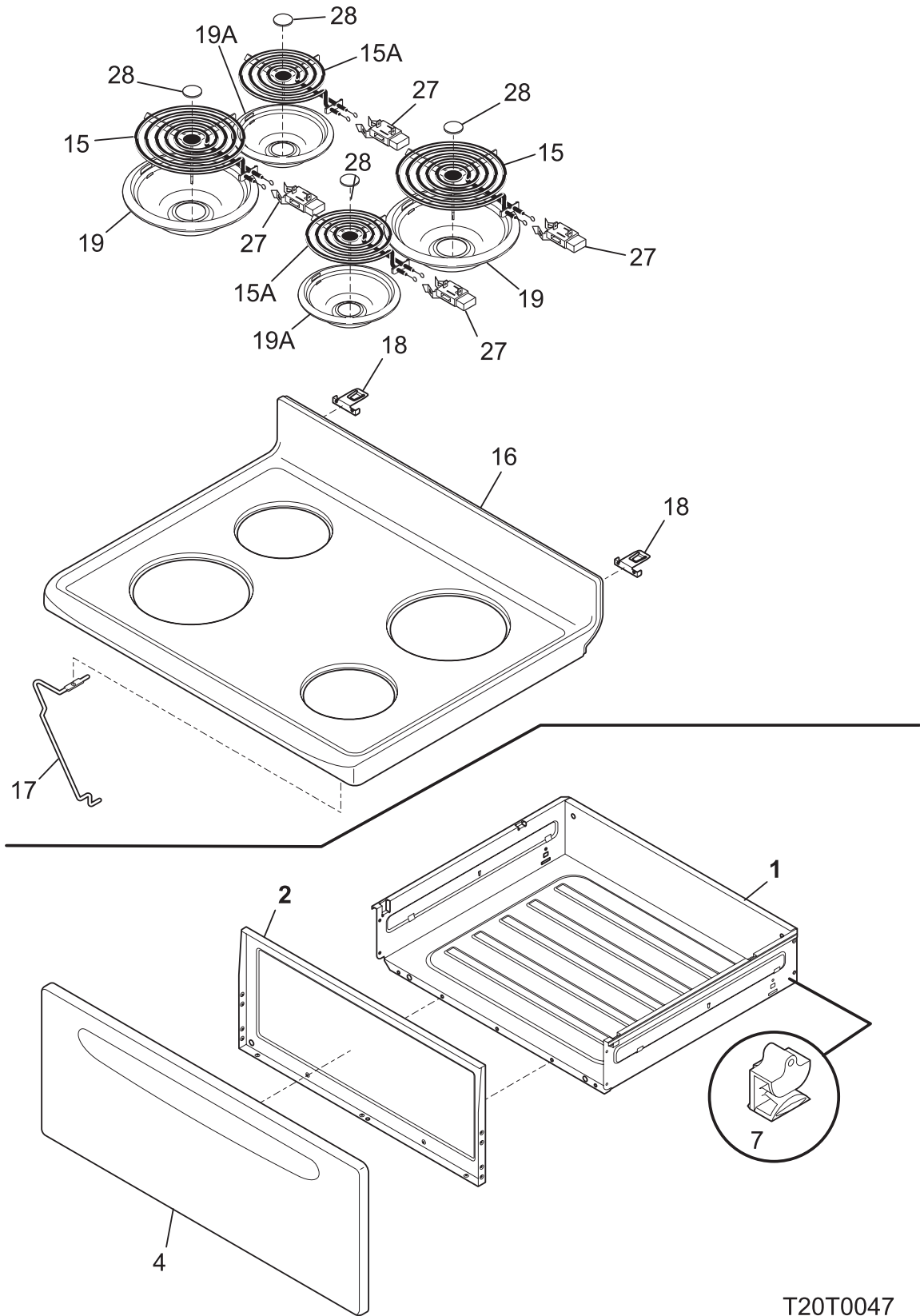
T20V0037

BODY

Model Index: A FEF352F (FEF352FSA)
 B FEF352F (FEF352FWA)
 C FEF352F (FEF352FUA)

POS. NO	PART NO.		DESCRIPTION
1	316401800	A B C	Panel, main back
3	316400116	A B -	Panel, bodyside, white, RH
3	316400117	A B -	Panel, bodyside, white, LH
3	316400120	- - C	Panel, bodyside, bisque, RH
3	316400121	- - C	Panel, bodyside, bisque, LH
4	316201401	A B C	Burner Box
5	316272900	A B C	Screw, leveling, plastic, rear, (2)
5A	316407201	A B C	Leveling Leg Assy, metal, front, (2), bracket & leg
6	316404500	A B C	Rack, oven
8	316400601	A B C	Panel, oven bottom
12	316445501	A B C	Switch, oven light, door frame
14	316116400	A B C	Receptacle, oven light
15	5303013071	A B C	Bulb/Lamp, light
16	08011086	A B C	Lens, oven light, glass
17	316087500	A B C	Retainer, lens
18 #	316405800	A B C	Latch Assembly, oven door
21	316408000	A B C	Clip, bodyside
25	316406200	A B C	Shield, heat, lower
28	316045000	A B C	Clip, wiring harness, green, main top
29	316407301	A B C	Glide, drawer, front
37 #	316217001	A B C	Probe, oven temp
42	316407700	A B C	Shield, wool, lower
44	316246501	A B C	Spacer, oven door
57	316457800	A B C	Cover, access
58	316403800	A B C	Insulation, oven bottom
58A	316406600	A B C	Insulation, oven wrapper
58B	316406500	A B C	Insulation, oven back
59	316073606	A B C	Tube, oven vent
62	5304409888	A B C	Terminal Block Kit
62*	316085600	A B C	Insulator
62*	316205500	A B C	Nut, hex flange, 3/8 10-32
63	316278800	A B C	Plate, grounding strap
66 #	316203200	A B C	Element, broil
67	316075103	A B C	Element, bake
68	316404000	A B C	Support, element, broil
71	316422304	A B C	Shield, rear wall
86	316441300	A B C	Receptacle, hinge
86*	316418901	A B C	Screw, trilobe, 10-32 x 5/16"
87	316081200	A B C	Bracket, cable mtg
88	316203500	A B C	Rod, auto latch
89 #	316415400	A B C	Motor, latch/lock
151	316404600	A B C	Shield, bodyside
170	5303935180	A B C	Anti-tip Kit, w/bracket, screw
170*	316107200	A B C	Bracket, anti-tip
170*	316112500	A B C	Template, anti-tip
170*	316116000	A B C	Screw, concrete, 1.75", anti-tip brkt
* #	316416401	A B C	Harness, wiring, main
*	3203550	A B C	Plug, button, oven bottom
*	5303321319	A B -	Paint, touch-up, white
*	5303305345	- B C	Paint, touch-up, black
*	5304414035	- - C	Paint, touch-up, bisque
*	316021105	A B C	Screw, hex head cup pt, 8-18 x 0.375, black
*	316021110	A B C	Screw, 8-18 x 0.5, black
*	316089500	A B C	Screw, 10-16 x .486
*	5303271648	A B C	Screw, wafer hd sq dr, 8-18AB x 0.5
*	5303285179	A B C	Screw, wafer head, 8-32T x 0.500, black
*	5308014215	A B C	Screw, 6-20 x 0.312

TOP/DRAWER



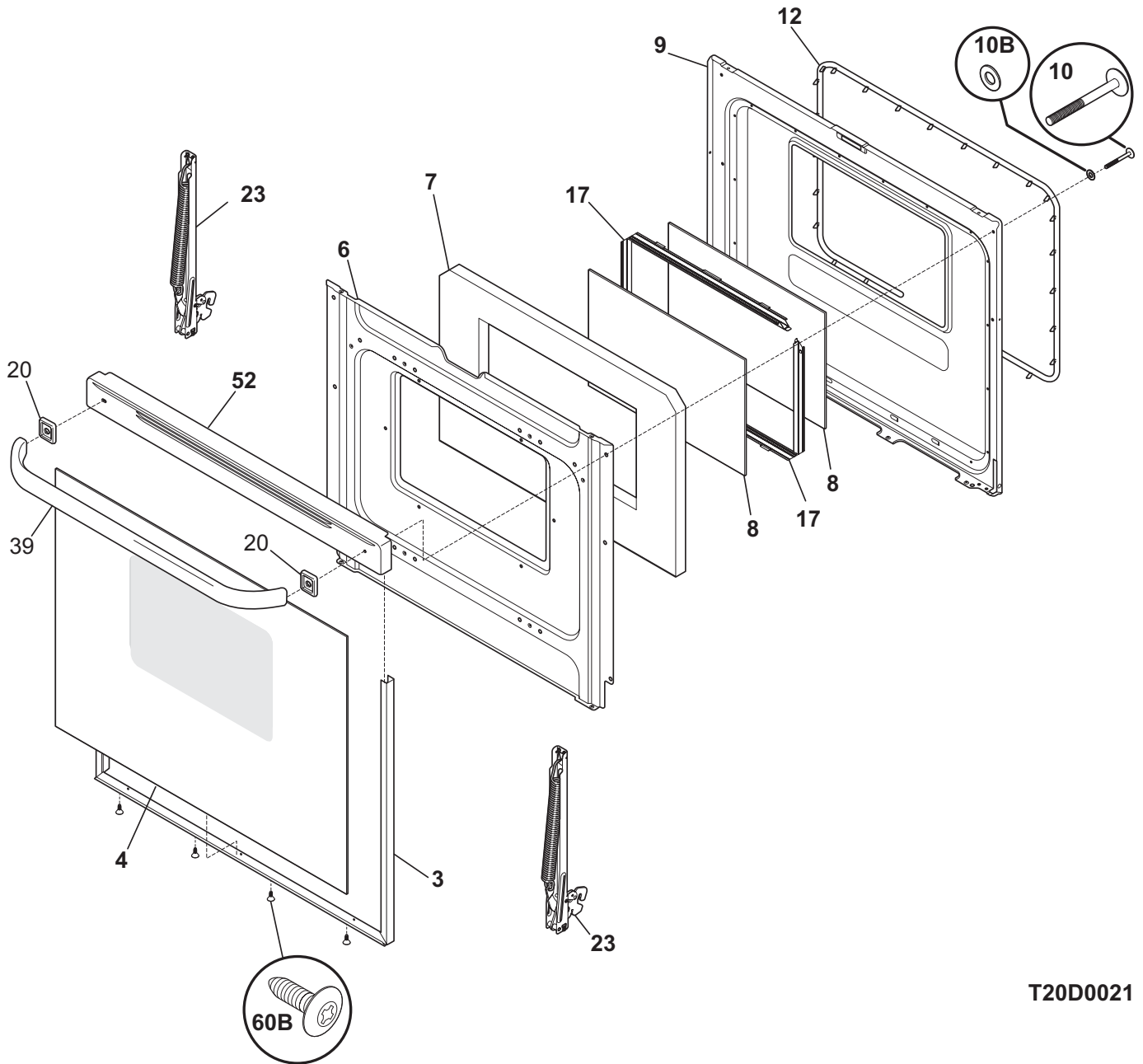
T20T0047

TOP/DRAWER

Model Index: A FEF352F (FEF352FSA)
 B FEF352F (FEF352FWA)
 C FEF352F (FEF352FUA)

POS. NO	PART NO.		DESCRIPTION
1	316408701	A B C	Drawer, utility
2	316403300	A B C	Liner, drawer
4	316403501	A B -	Panel, drawer front, white
4	316403503	- - C	Panel, drawer front, bisque
7	316407400	A B C	Glide, drawer, rear
15 #	3051450	A B C	Element, surface, 8" large
15A#	3051449	A B C	Element, surface, 6" small
16	316202363	A B -	Main Top, white
16	316202364	- - C	Main Top, bisque
17	316057601	A B C	Rod, support, main top
18	316436600	A B C	Hinge Bracket, maintop, (2)
19 #	316048413	A B C	Pan-surface element, chrome, large/8 inch, (2)
19A#	316048414	A B C	Pan-surface element, chrome, small/6 inch, (2)
27 #	5303912666	A B C	Terminal Block Kit, surface element
28	5303017715	A B C	Medallion, 1 1/2" dia, black, surface element
* #	316253501	A B C	Wiring Harness, surface element
* #	316045000	A B C	Clip, wiring harness, green, main top
*	316021105	A B C	Screw, hex head cup pt, 8-18 x 0.375, black
*	316021109	A B C	Screw, 8-18 x 0.5, chrome
*	316021110	A B C	Screw, 8-18 x 0.5, black
*	5308014215	A B C	Screw, 6-20 x 0.312

DOOR



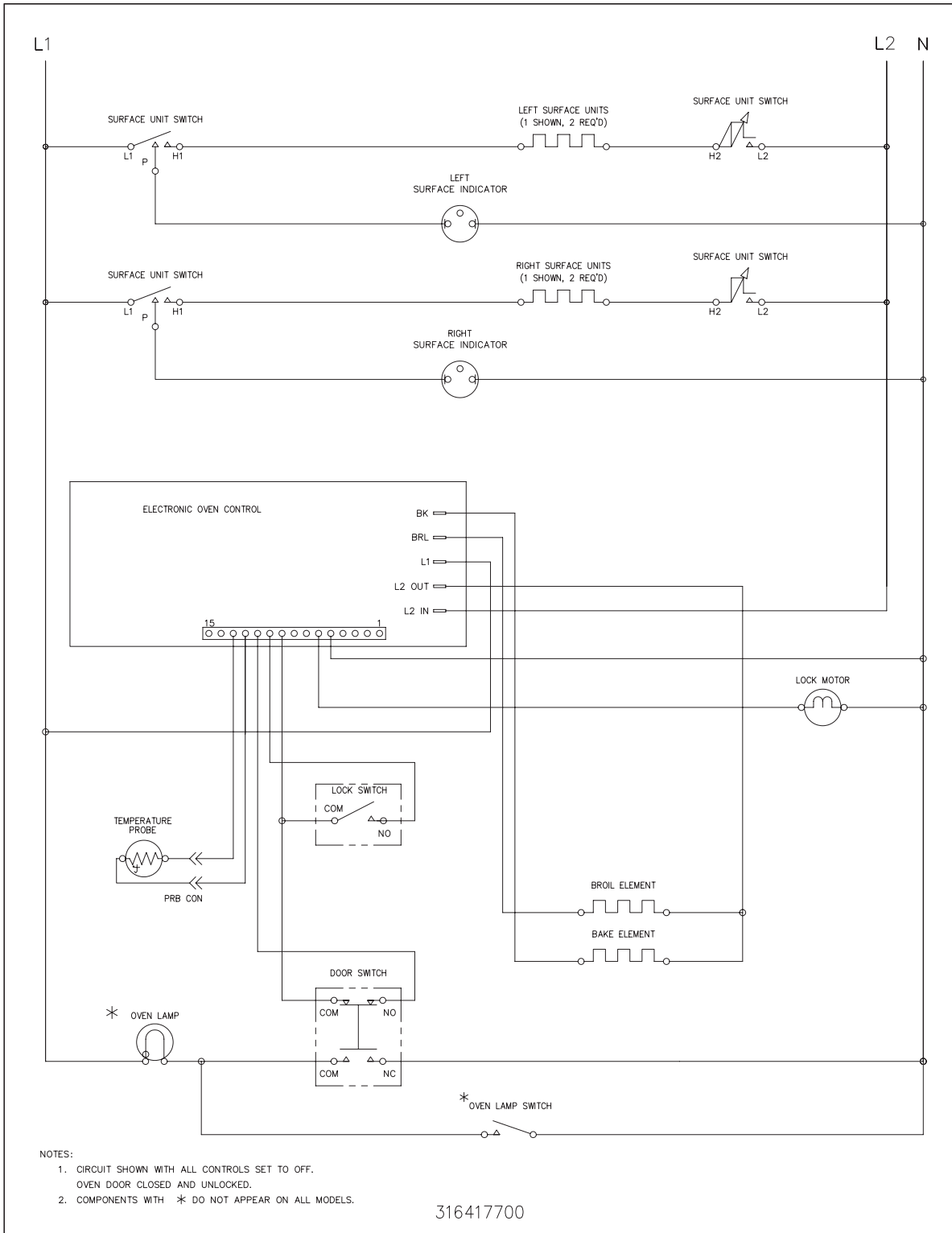
T20D0021

DOOR

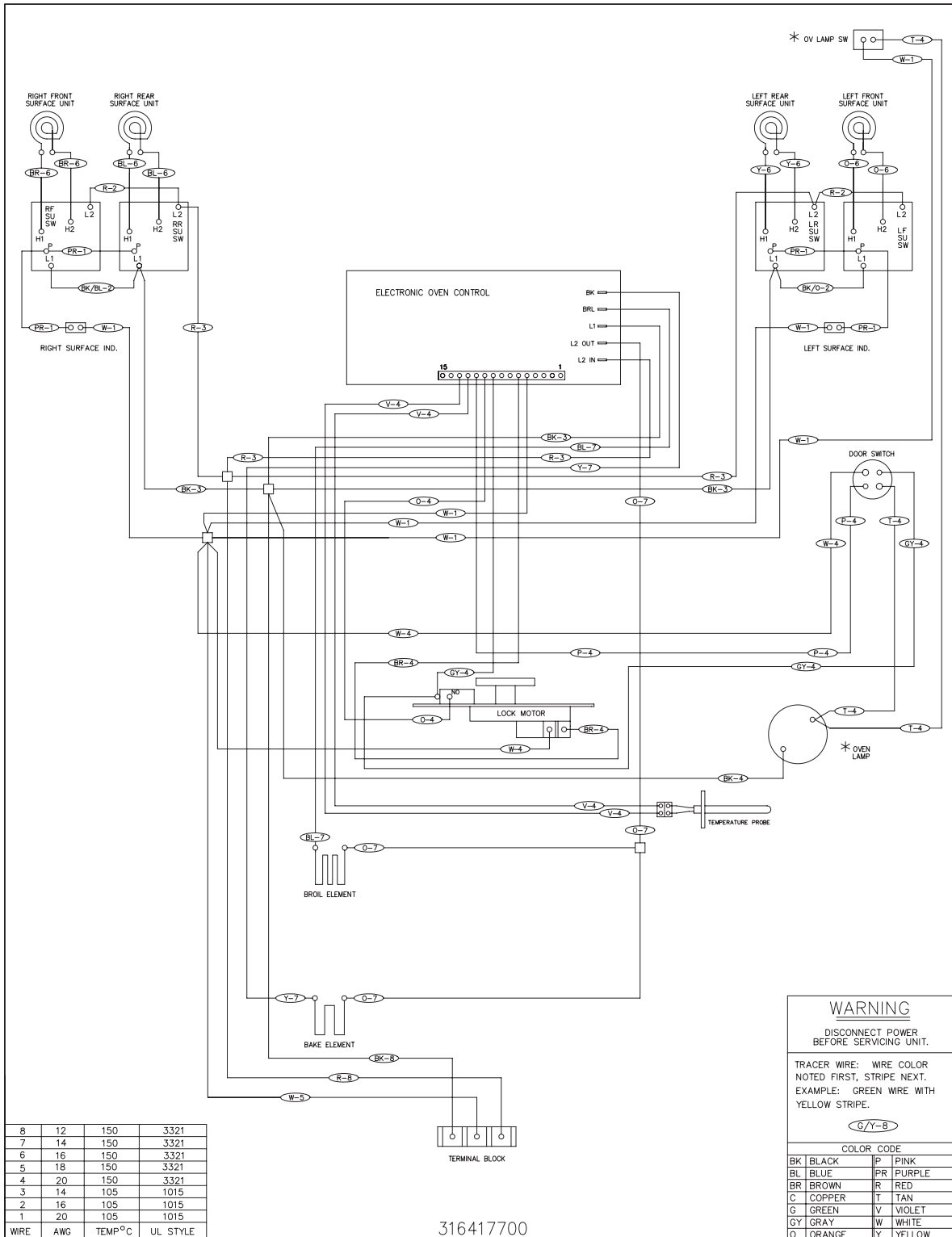
Model Index: **A** FEF352F (FEF352FSA)
 B FEF352F (FEF352FWA)
 C FEF352F (FEF352FUA)

POS. NO	PART NO.		DESCRIPTION
3	5303935243	A - -	Trim kit-door, 3 sided, white, w/tape
3	5303935245	- B C	Trim kit-door, 3 sided, black, w/tape
4	316406403	A - -	Glass, oven door, white, outer
4	316406404	- B C	Glass, oven door, black, outer
6	316406309	A B C	Shield, wool
7	316405601	A B C	Insulation, oven door
8	316427701	A B C	Glass, oven door, inner
9	316423703	A B C	Liner, oven door
10	316001009	A B C	Screw, waf hd sq, 10-24 x 1.88, (2), handle mtg
10B	316008401	A B C	Washer, 3/4 OD x 1/4 ID, steel
12	316405000	A B C	Seal, oven door
17	316408803	A B C	Spacer, door glass, (2)
20	316248401	A - -	Spacer, handle, white, (2)
20	316248400	- B C	Spacer, handle, black, (2)
23	316456307	A B C	Hinge, oven door, purple titan, (2)
23*	316418900	A B C	Screw, sims lp, #8-32 x 5/16", black
39	316248301	A - -	Handle, oven door, white
39	316248300	- B C	Handle, oven door, black
52	316405100	A - -	Cap, door trim, white
52	316405101	- B C	Cap, door trim, black
60B	316021110	A B C	Screw, 8-18 x 0.5, black
*	316433603	A B C	Label, anti-tip
*	316021109	A B C	Screw, 8-18 x 0.5, chrome
*	5303271648	A B C	Screw, wafer hd sq dr, 8-18AB x 0.5
*	5303285179	A B C	Screw, wafer head, 8-32T x 0.500, black

WIRING SCHEMATIC



WIRING DIAGRAM



316417700