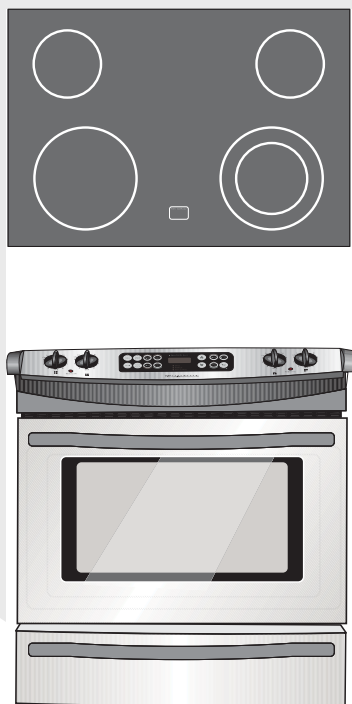


# *Frigidaire*

## Factory Parts Catalog



Product No.	FES366ECA	FES366ECB
	37954386J50S1	37954386J50S2
Series	30" slide-in	30" slide-in
Color	stainless	stainless
Market	North America	North America
Wiring Diagram	318271907	318271907
Owner's Guide	318203810	318203859
Installation Instructions	318201611	318201611
Timer Guide	318200185	318200185

 **Electrolux**

Electrolux Major Appliances  
North & Latin America  
P.O. BOX 212378  
AUGUSTA, GA 30917

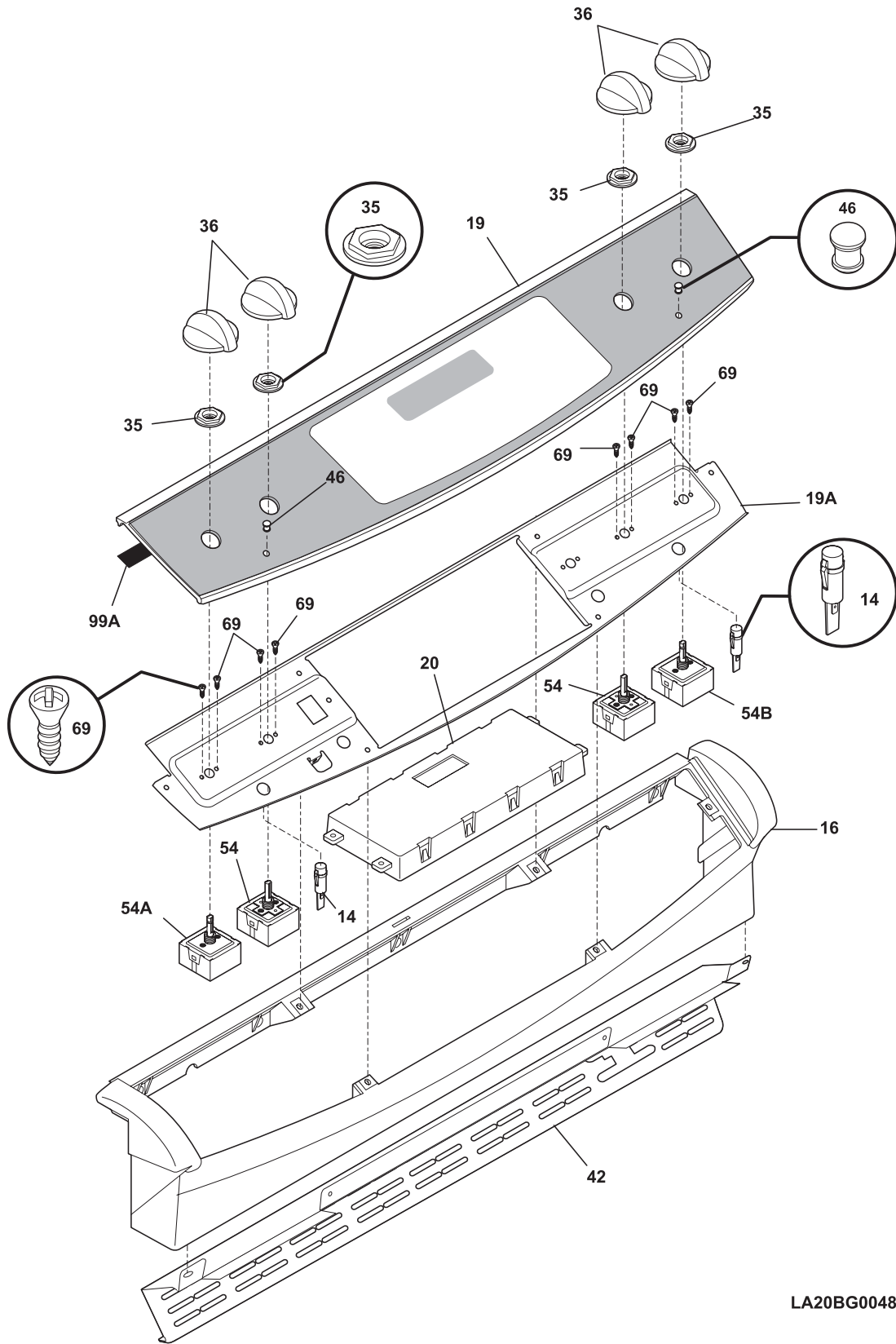
Publication No.  
**5995449724**  
05/09/30  
(EN/SERVICE/ECL)  
377

**30-INCH SLIDE-IN  
ELECTRIC RANGE**

Model No.  
**FES366E**

Copyright © 2005 Electrolux Home Products, Inc.  
All rights reserved.

### BACKGUARD



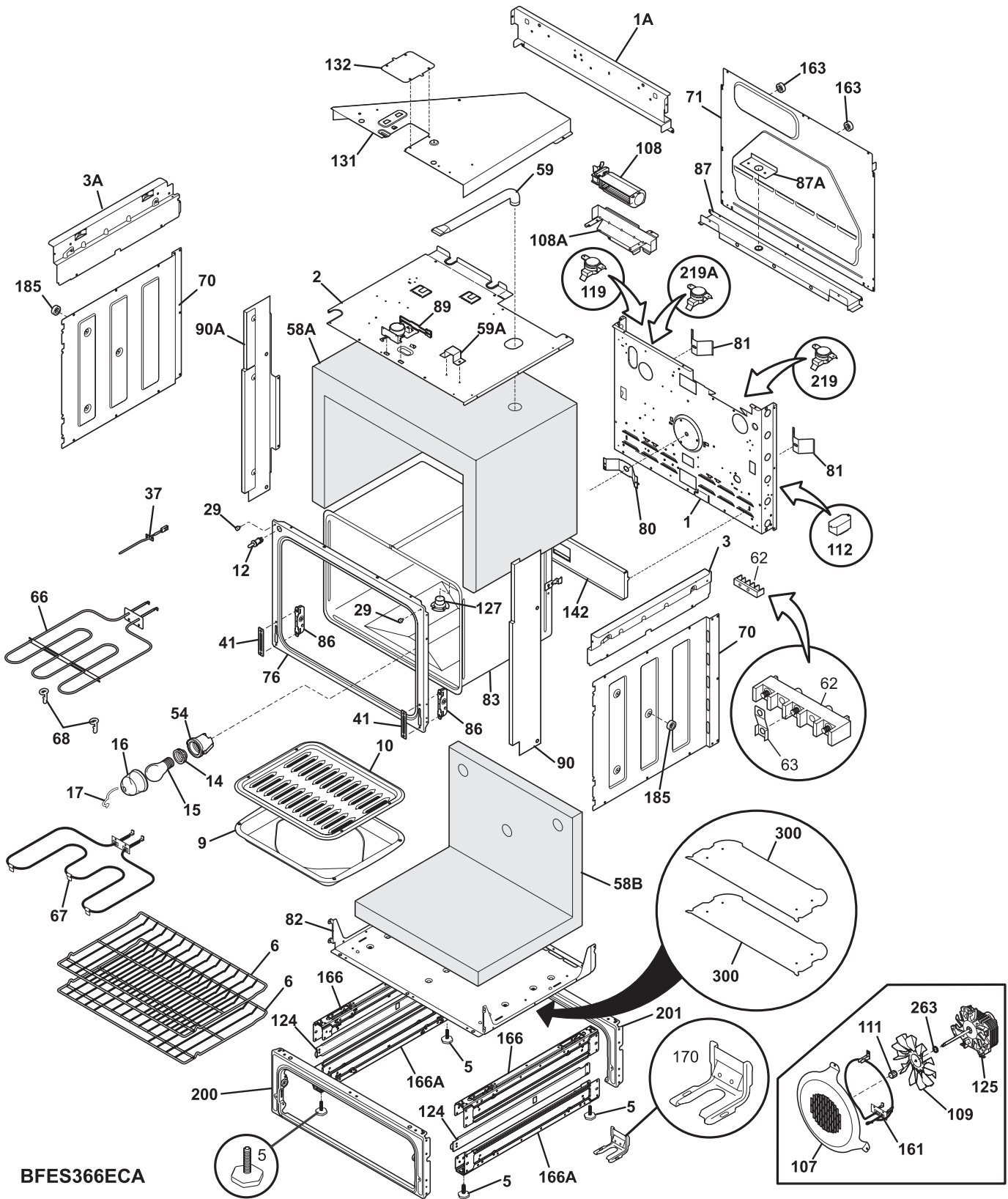
LA20BG0048

**BACKGUARD**

*Model Index:* A FES366E (FES366ECA)  
B FES366E (FES366ECB)

POS. NO	PART NO.		DESCRIPTION
14 #	318293900	A B	Light, indicator, 125v, (2)
16	318299102	A B	Console, assy., black
19	318312206	A -	Control Panel Assembly, w/membrane, stainless
19	318312230	- B	Control Panel Assembly, w/membrane, stainless
19A	318224403	A B	Panel, control mtg.
20 #	316418530	A B	Clock/Timer, electronic, ES350
20*	5304451726	A B	Screw, control mtg., 8-18 x 1/2"
35	318183100	A B	Support, glass, black
36	316223027	A B	Knob, control, black
42	318298001	A B	Trim, vent, black, upper
46	318228300	A B	Lens, indicator light
54 #	318220080	A B	Switch, surface unit, single
54A#	318220081	A B	Switch, surface unit, large
54B#	318191023	A B	Switch, infinite, dual
69	5303323134	A B	Screw, 8-32 x 0.188
99A	318223900	A B	Gasket, dark grey
* #	318228817	A B	Harness, wiring, main, backguard
* #	318224811	A B	Harness, wiring, timer
* #	318224815	A B	Harness, wiring, infinite switch
*	318163602	A B	Cleaner, stainless steel
*	08016432	A B	Screw, truss head, 8-18 x 0.375
*	5303300265	A B	Screw, 8-18 X 1/2, (2)
*	5303311333	A B	Screw, 8-32 x 3/8

**BODY**

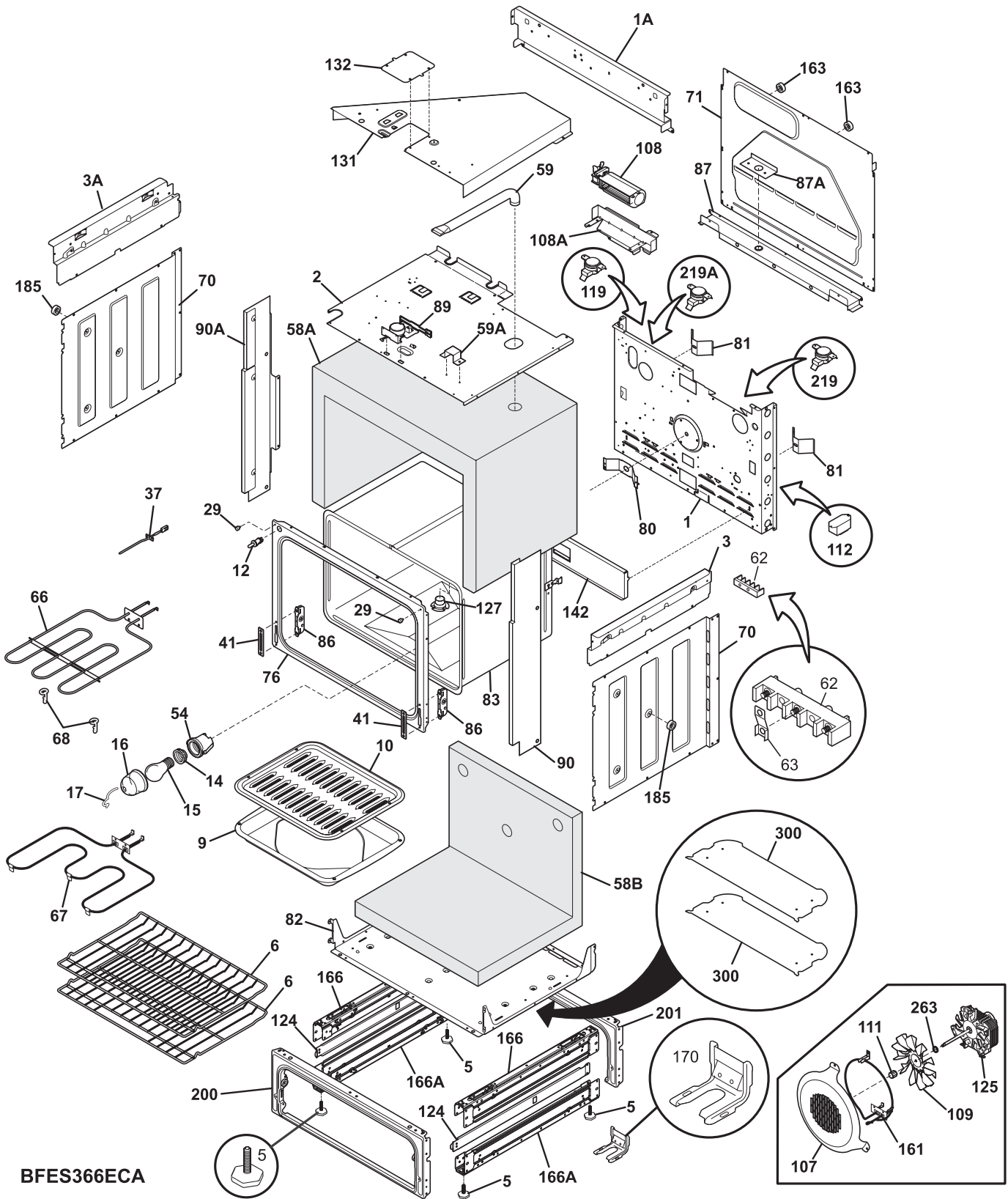


**BODY**

*Model Index:* A FES366E (FES366ECA)  
B FES366E (FES366ECB)

POS. NO	PART NO.		DESCRIPTION
1	318259202	A B	Back, main
1A	318225110	A B	Panel, main back, upper
2	318258900	A B	Shield, insulation, upper
3	318225210	A B	Panel, bodyside, upper RH
3A	318225211	A B	Panel, bodyside, upper LH
5	318175503	A B	Screw, leveling
6	318262502	A B	Rack, oven
9	5303317977	A B	Pan, broiler
10	5303317976	A B	Insert, broiler pan
12 #	318089917	A B	Switch, light
14	318224000	A B	Receptacle, oven light
15	5303013071	A B	Bulb/Lamp, light
16	3201911	A B	Cover, oven light, glass
17	5304400195	A B	Retainer, light cover
29	318147411	A B	Bumper, (2)
37 #	316217002	A B	Probe, oven temp
41	5303310526	A B	Cover, hinge cutout
54	318222400	A B	Housing, oven light
58A	318285055	A B	Insulation, oven wrapper
58B	318285056	A B	Insulation, oven back
59	318072560	A B	Duct, oven vent
59A	318261600	A B	Bracket, vent tube
62	5303935061	A B	Terminal Block Kit
62*	5303323139	A B	Screw, 10-24 x 0.906
62*	5303323144	A B	Nut, 10-32
63	318264200	A B	Plate, grounding strap
66 #	318255600	A B	Element, broil, 2750W
67 #	318255401	A B	Element, bake, 3400W
68	5304403015	A B	Support, hanger, (2), broil element
70	318259100	A B	Shield, insulation, sides, (2)
71	318260007	A B	Panel, rear box
76	318056217	A B	Front, oven
80	5303320846	A B	Plate, oven mtg
81	318192400	A B	Spring, oven
82	318258707	A B	Shield, insulation, lower
83	318261404	A B	Liner, oven assy
86	5303310524	A B	Receptacle, hinge
87	318260608	A B	Bracket, cable mtg.
87A	318111804	A B	Plate, cord set mtg
89 #	318261202	A B	Motor, latch assy
90	318296904	A B	Panel, filler, black, RH
90A	318296905	A B	Panel, filler, black, LH
107	318219401	A B	Cover, fan
108#	318073018	A B	Motor, blower
*	318249401	A B	Tube, protector
108A	318251300	A B	Bracket, fan support
109	316136400	A B	Blade, fan
111	316136600	A B	Nut, fan retainer
112#	318112703	A B	Relay

**BODY**



**BODY**

*Model Index:* A FES366E (FES366ECA)  
B FES366E (FES366ECB)

POS. NO	PART NO.		DESCRIPTION
119#	318005202	A B	Switch, thermal cutout
124	318300800	A B	Bracket, glide, (2)
125#	316415800	A B	Motor, fan
125*	5303316994	A B	Insulation, 3.81 x 3.13
127	318317100	A B	Adapter Assembly, vent tube, w/converter
131	318272900	A B	Box, vent
132	318003000	A B	Plate, shield
142	318123910	A B	Deflector
163	318014110	A B	Spacer, (6)
166	318298401	A B	Bracket, base support, upper, (2)
166A	318298402	A B	Bracket, base support, lower, (2)
170	318335500	A B	Anti-tip & accessories
185	318165800	A B	Spacer, (2)
200	318335600	A B	Frame & Wheel Assembly, black
201	318298210	A B	Frame, drawer
219#	318003614	A B	Thermostat, safety
219A	318003613	A B	Thermostat, safety
263	316136500	A B	Washer, flat
300	318326500	A B	Shield, heat
* #	318224929	A B	Harness, wiring, main
*	318235300	A B	Connector assy., w/3 lugs, & instructions
*	3051050	A B	Screw, shoulder
*	3201861	A B	Screw, 6 x 0.375, (4)
*	08016432	A B	Screw, truss head, 8-18 x 0.375
*	5303211311	A B	Screw, 8 x 0.500
*	5303307980	A B	Screw, 8-32 x 0.437, (4)
*	5303323129	A B	Screw, 8 X 0.750
*	5304415832	A B	Screw, 8-18 x 0.406
*	5304436875	A B	Screw, 8-18 X 1/2, black



**TOP/DRAWER**

*Model Index:* A FES366E (FES366ECA)  
B FES366E (FES366ECB)

POS. NO	PART NO.		DESCRIPTION
1	318107308	A B	Drawer
4	318298800	A -	Panel, drawer, stainless, front
4	318298810	- B	Panel, drawer, stainless, front
10	5303311174	A B	Screw, 10-24 x 3/8
11	318298601	A B	Bracket, drawer support, (2)
13	318259501	A B	Glide, warmer, inner RH
13A	318259500	A B	Glide, warmer, inner LH
15 #	318198925	A B	Element, surface, 6/9, 1200/2500W, dual radiant
15A#	318198823	A B	Element, surface, 9", large, 2700 W
15B#	318198817	A B	Element, surface, 6", 1200 W, (2)
16	318223634	A B	Main Top, glass assy., black
39	318231200	A B	Handle, black
46	318225410	A B	Box, burner
51 #	318044822	A B	Light, indicator, clear
52A	318122006	A B	Spring, element mtg, small
52C	318122010	A B	Spring, element mtg, 1000W/2500W
124	316105501	A B	Glide, warmer drawer, outer/RH & LH, (2)
165	318227503	A B	Plate, mounting
* #	318228917	A B	Harness, wiring, cooktop
*	318163600	A B	Cleaner, cooktop
*	318163602	A B	Cleaner, stainless steel
*	5303325171	A B	Washer, plastic
*	5303325173	A B	Cap, plug
*	5303211311	A B	Screw, 8 x 0.500
*	5303300265	A B	Screw, 8-18 X 1/2, (2)
*	5303311333	A B	Screw, 8-32 x 3/8



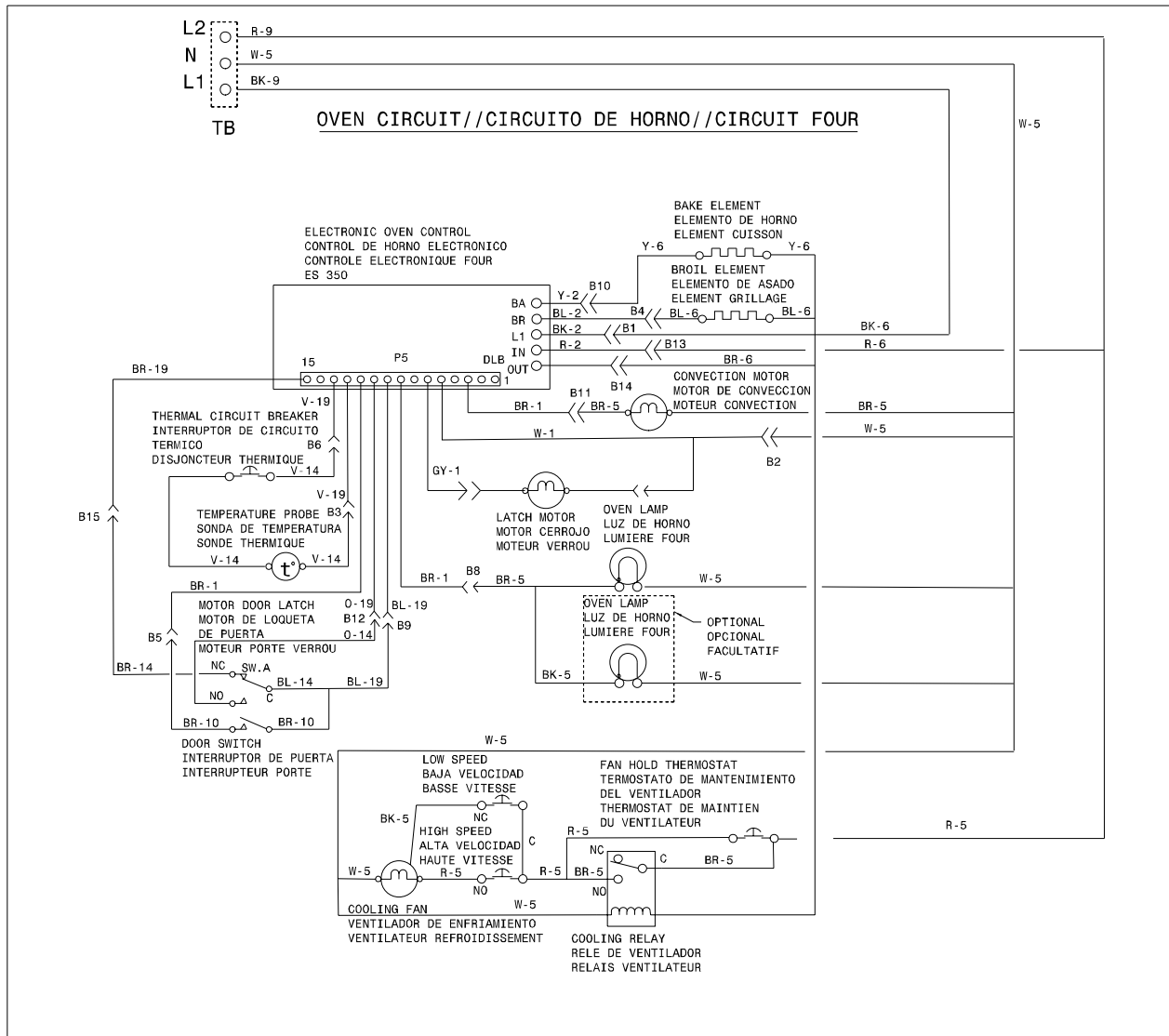
## DOOR

---

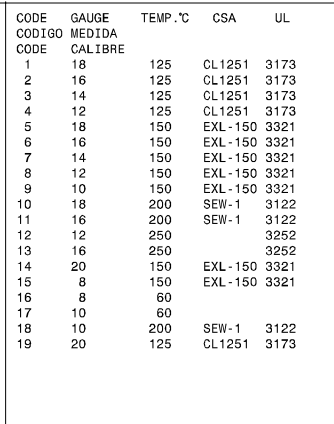
*Model Index:*    A FES366E (FES366ECA)  
                           B FES366E (FES366ECB)

POS. NO	PART NO.		DESCRIPTION
3A	318260401	A B	Trim, oven door, side, (2)
3B	318262101	A B	Cover, rear door, black, (2)
6	318260500	A B	Baffle, door
7	318285057	A B	Insulation, oven door
7A	318285062	A B	Insulation, oven door
8	316117500	A B	Glass, oven door, heat barrier
9	318259605	A B	Liner, door
10	5303311174	A B	Screw, 10-24 x 3/8
12	318053130	A B	Seal, oven door
13	318272155	A -	Door Assy, glass, stainless steel, outer
13	318272161	- B	Door Assy, glass, stainless steel, outer
17	316402403	A B	Spacer, door glass, (2)
23	318024714	A B	Hinge, door, (2)
*	5304415832	A B	Screw, 8-18 x 0.406
24	318260301	A B	Trim, door, black, lower
39	318231200	A B	Handle, black
40	318242700	A B	Bracket, glass holder, (2)
56	5304436875	A B	Screw, 8-18 X 1/2, black
64	318165800	A B	Spacer, (2)
*	316221001	A B	Label, anti-tip
*	318163602	A B	Cleaner, stainless steel

WIRING DIAGRAM



COLORS/CODIGOS/CODE COULEUR	CODE CODIGO CODE	GAUGE MEDIDA CALIBRE	TEMP. °C	CSA	UL
BK. - BLACK/NEGRO/NOIR					
G. - GREEN/VERDE/VERT					
W. - WHITE/BLANCO/BLANC					
R. - RED/ROJO/ROUGE					
O. - ORANGE/NARANJA/ORANGE					
Y. - YELLOW/AMARILLO/JAUNE					
BR. - BROWN/MORENO/BRUN					
BL. - BLUE/AZUL/BLEU					
	1	18	125	CL1251	3173
	2	16	125	CL1251	3173
	3	14	125	CL1251	3173
	4	12	125	CL1251	3173
	5	18	150	EXL-150	3321
	6	16	150	EXL-150	3321
	7	14	150	EXL-150	3321
	8	12	150	EXL-150	3321
	9	10	150	EXL-150	3321
	10	18	200	SEW-1	3122
	11	16	200	SEW-1	3122
	12	12	250		3252
	13	16	250		3252
	14	20	150	EXL-150	3321
	15	8	150	EXL-150	3321
	16	8	60		
	17	10	60		
	18	10	200	SEW-1	3122
	19	20	125	CL1251	3173



CONNECTOR CONECTOR CONECTEUR A	CONNECTOR CONECTOR CONECTEUR B
1	1
2	2
3	3
4	4
5	5
6	6
7	7
8	8
9	9
10	10
11	11
12	12
	13
	14
	15

CAUTION: DISCONNECT CURRENT BEFORE REMOVING REAR COVER.  
 ATENCIÓN: CORTAR EL CORRIENTE ANTES DE REALIZAR EL MANTENIMIENTO DEL ELECTRODOMESTICO.  
 ATTENTION: COUPEZ L'ALIMENTATION AVANT D'EFFECTUER LA REPARATION.

318271907 REV:B