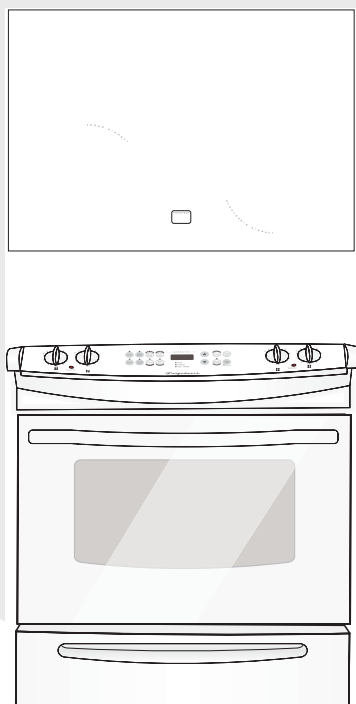


Frigidaire

Factory Parts Catalog



Product No.	FES366EBB	FES366EQB	FES366ESB
	37954386J5062	37954384J5042	37954387J5012
Series	30" slide-in	30" slide-in	30" slide-in
Color	black	bisque	white
Market	North America	North America	North America
Wiring Diagram	318271907	318271907	318271907
Owner's Guide	318203810	318203810	318203810
Installation Instructions	318201611	318201611	318201611
Timer Guide	318200185	318200185	318200185

 **Electrolux**

Electrolux Major Appliances
North & Latin America
P.O. BOX 212378
AUGUSTA, GA 30917

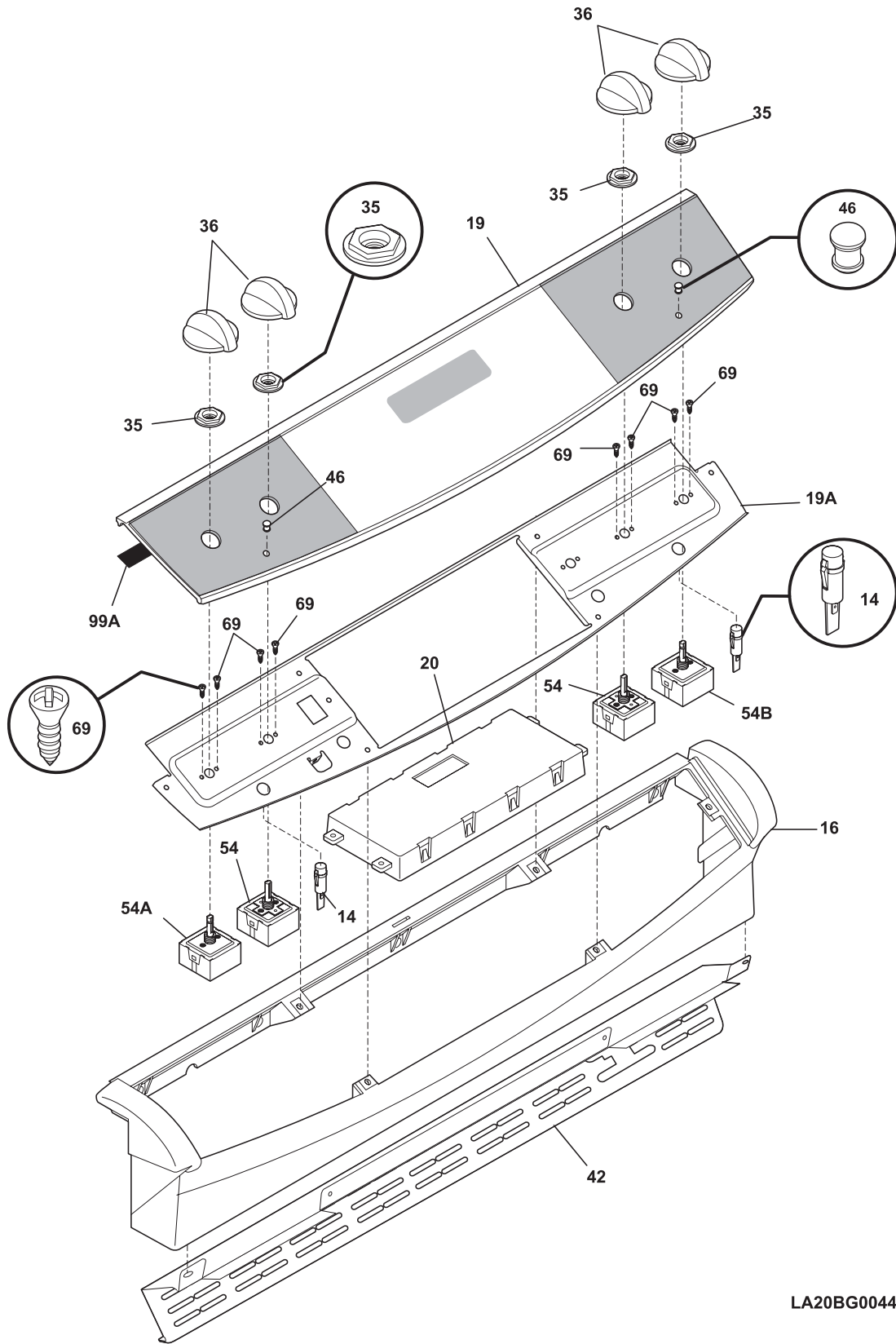
Publication No.
5995458360
06/01/11
(EN/SERVICE/ECL)
377

**30-INCH SLIDE-IN
ELECTRIC RANGE**

Model No.
FES366E

Copyright © 2006 Electrolux Home Products, Inc.
All rights reserved.

BACKGUARD



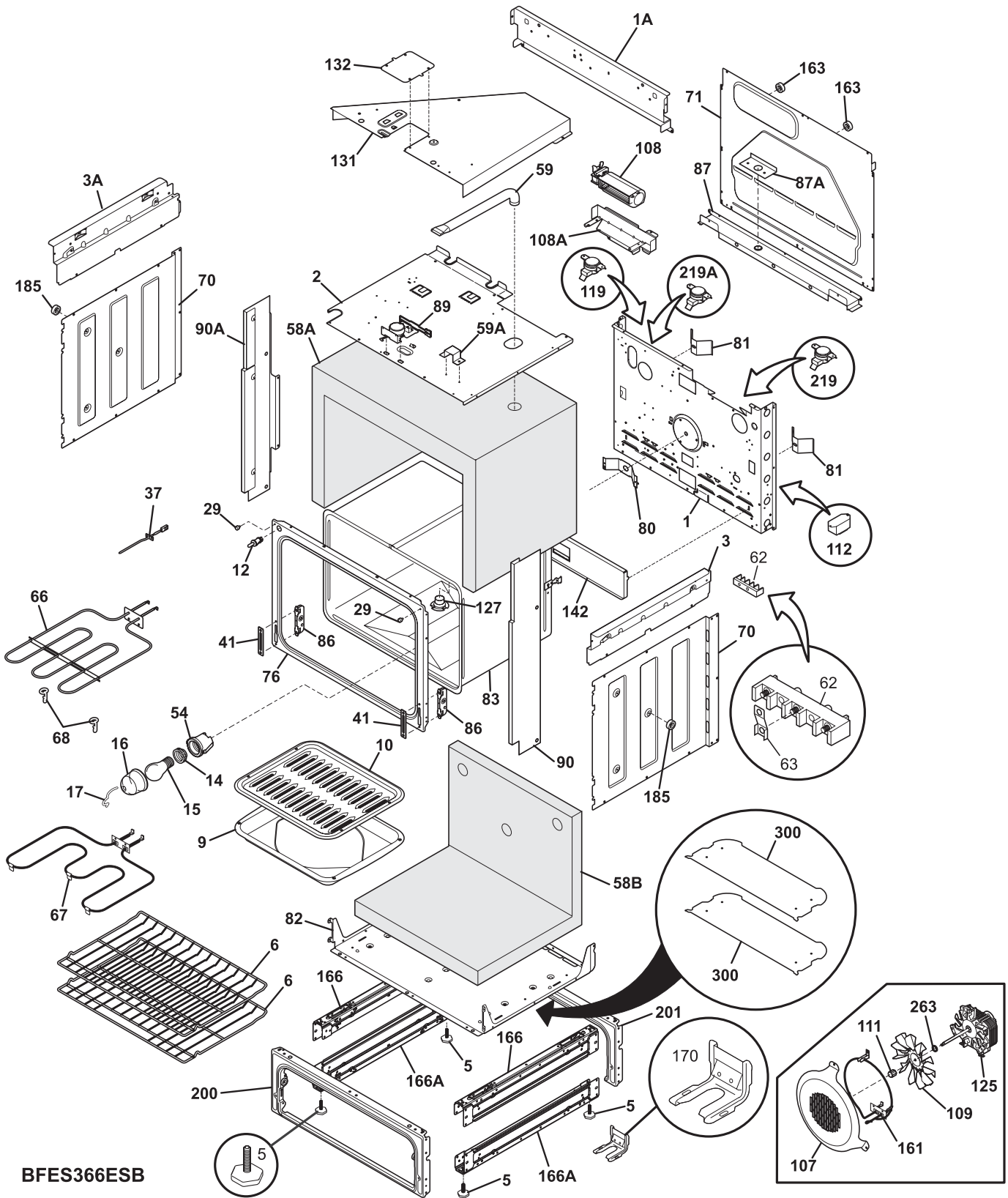
LA20BG0044

BACKGUARD

Model Index: A FES366E (FES366ESB)
 B FES366E (FES366EBB)
 C FES366E (FES366EQB)

POS. NO	PART NO.		DESCRIPTION
14 #	318293900	A B C	Light, indicator, 125v, (2)
16	318299100	A - -	Console, assy., white
16	318299102	- B -	Console, assy., black
16	318299101	- - C	Console, assy., bisque
19	318312200	A - -	Control Panel Assembly, w/membrane, white
19	318312202	- B -	Control Panel Assembly, w/membrane, black
19	318312201	- - C	Control Panel Assembly, w/membrane, bisque
19A	318224403	A B C	Panel, control mtg.
20 #	316418530	A B C	Clock/Timer, electronic, ES350
20*	5304453707	A B C	Screw, control mtg.
35	318183101	A - -	Support, glass, white, (4)
35	318183100	- B -	Support, glass, black
35	318183102	- - C	Support, glass, bisque, (4)
36	316223028	A - -	Knob, control, white
36	316223027	- B -	Knob, control, black
36	316223029	- - C	Knob, control, bisque
42	318298001	A B C	Trim, vent, black, upper
46	318228300	A B C	Lens, indicator light
54 #	318220080	A B C	Switch, surface unit, single
54A#	318220081	A B C	Switch, surface unit, large
54B#	318191023	A B C	Switch, infinite, dual
69	5303323134	A B C	Screw, 8-32 x 0.188
99A	318223900	A B C	Gasket, dark grey
* #	318228817	A B C	Harness, wiring, main, backguard
* #	318224811	A B C	Harness, wiring, timer
* #	318224815	A B C	Harness, wiring, infinite switch
*	08016432	A B C	Screw, truss head, 8-18 x 0.375
*	5303300265	A B C	Screw, 8-18 X 1/2, (2)

BODY



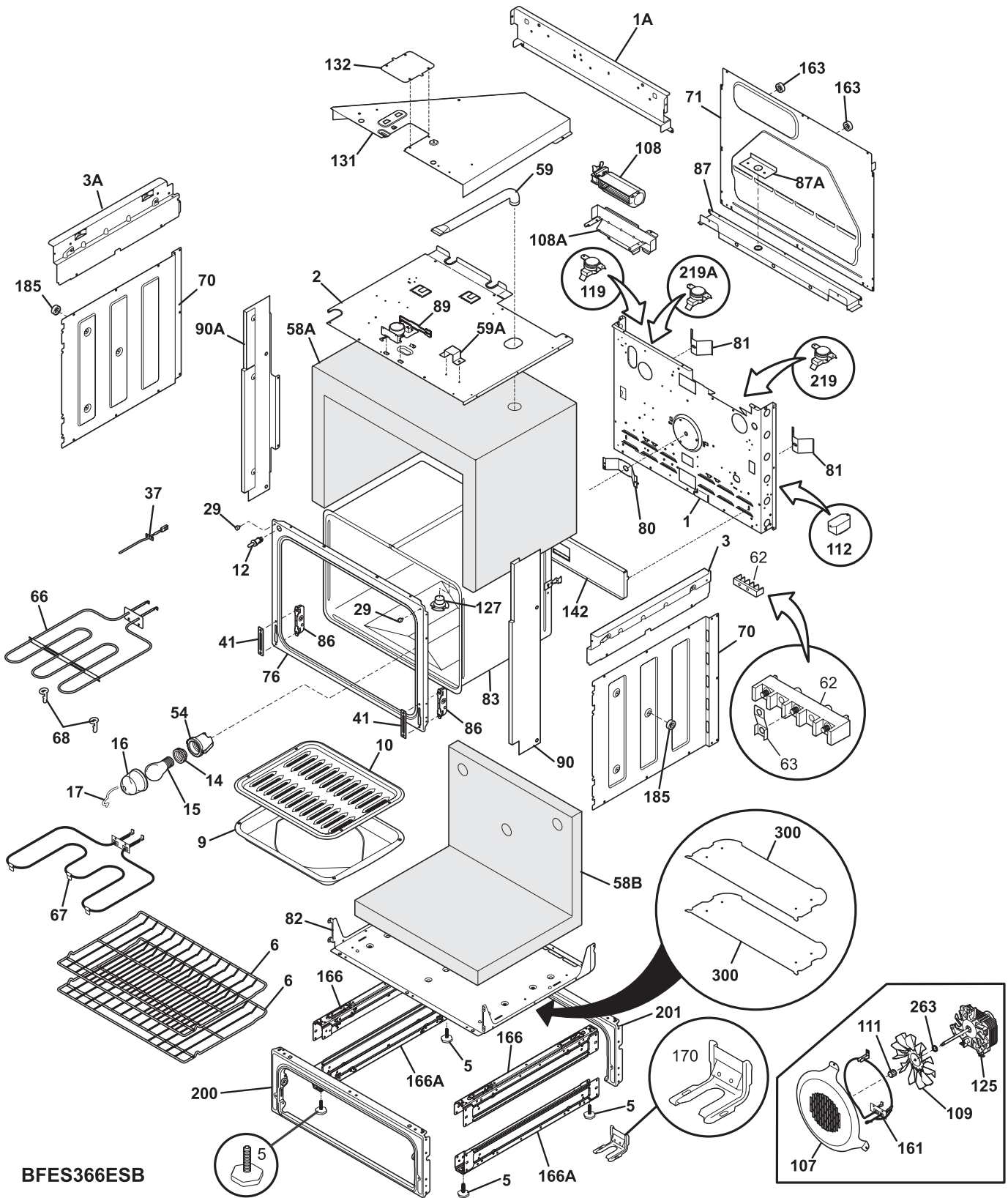
BFES366ESB

BODY

Model Index: A FES366E (FES366ESB)
 B FES366E (FES366EBB)
 C FES366E (FES366EQB)

POS. NO	PART NO.		DESCRIPTION
1	318259202	A B C	Back, main
1A	318225110	A B C	Panel, main back, upper
2	318258902	A B C	Shield, insulation, upper
3	318225210	A B C	Panel, bodyside, upper RH
3A	318225211	A B C	Panel, bodyside, upper LH
5	318175503	A B C	Screw, leveling
6	318262502	A B C	Rack, oven
9	5303317977	A B C	Pan, broiler
10	5303317976	A B C	Insert, broiler pan
12 #	318089917	A B C	Switch, light
14	318224000	A B C	Receptacle, oven light
15	5303013071	A B C	Bulb/Lamp, light
16	3201911	A B C	Cover, oven light, glass
17	5304400195	A B C	Retainer, light cover
29	318147411	A B C	Bumper, (2)
37 #	316217002	A B C	Probe, oven temp
41	5303310526	A B C	Cover, hinge cutout
54	318222400	A B C	Housing, oven light
58A	318285055	A B C	Insulation, oven wrapper
58B	318285056	A B C	Insulation, oven back
59	318072560	A B C	Duct, oven vent
59A	318261600	A B C	Bracket, vent tube
62	5303935061	A B C	Terminal Block Kit
62*	5303323139	A B C	Screw, 10-24 x 0.906
62*	5303323144	A B C	Nut, 10-32
63	318264200	A B C	Plate, grounding strap
66 #	318255600	A B C	Element, broil, 2750W
67 #	318255401	A B C	Element, bake, 3400W
68	5304403015	A B C	Support, hanger, (2), broil element
70	318259100	A B C	Shield, insulation, sides, (2)
71	318260007	A B C	Panel, rear box
76	318056217	A B C	Front, oven
80	5303320846	A B C	Plate, oven mtg
81	318192400	A B C	Spring, oven
82	318258707	A B C	Shield, insulation, lower
83	318261404	A B C	Liner, oven assy
86	5303310524	A B C	Receptacle, hinge
87	318260608	A B C	Bracket, cable mtg.
87A	318111804	A B C	Plate, cord set mtg
89 #	318261202	A B C	Motor, latch assy
90	318296902	A - -	Panel, filler, white, RH
90	318296904	- B -	Panel, filler, black, RH
90	318296906	- - C	Panel, filler, bisque, RH
90A	318296903	A - -	Panel, filler, white, LH
90A	318296905	- B -	Panel, filler, black, LH
90A	318296907	- - C	Panel, filler, bisque, LH
107	318219401	A B C	Cover, fan
108#	318073018	A B C	Motor, blower

BODY

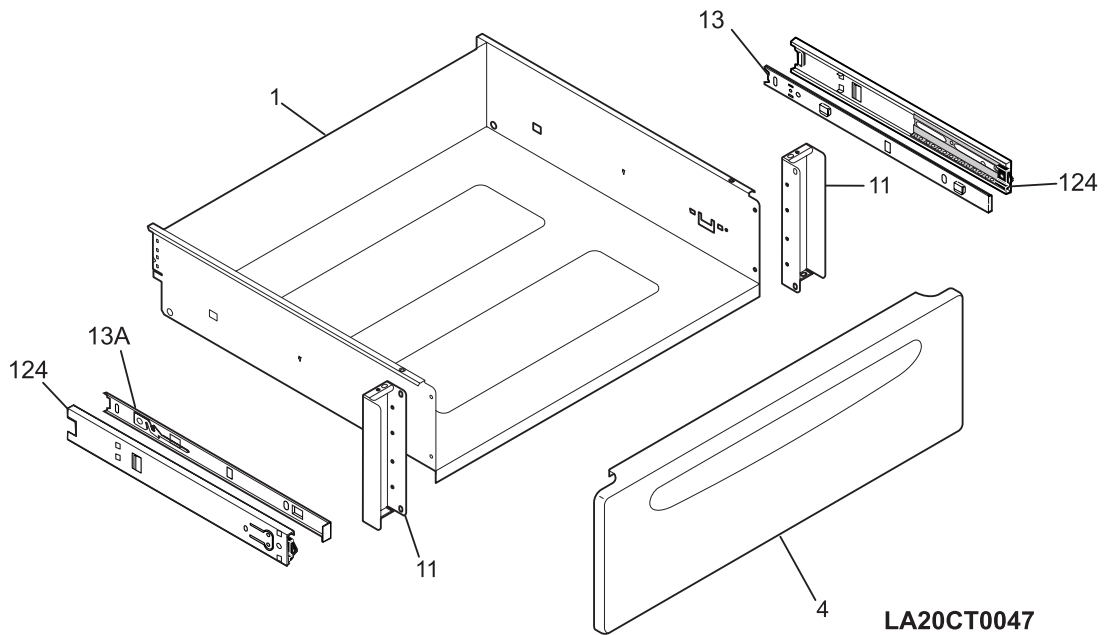
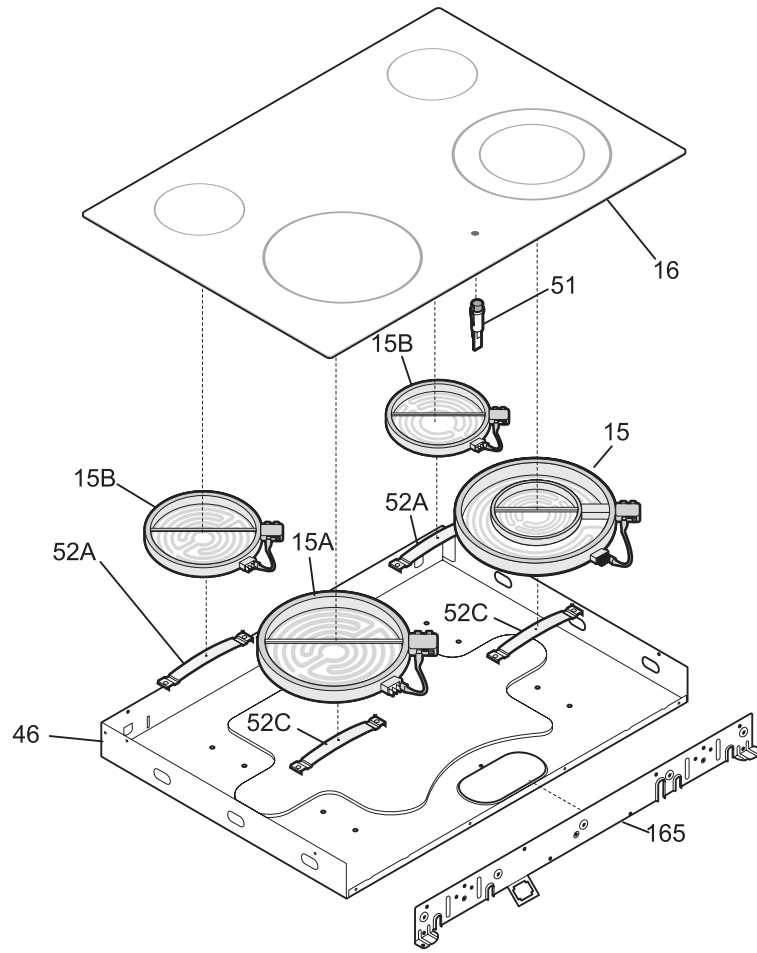


BODY

Model Index: A FES366E (FES366ESB)
 B FES366E (FES366EBB)
 C FES366E (FES366EQB)

POS. NO	PART NO.		DESCRIPTION
*	318249401	A B C	Tube, protector
108A	318251300	A B C	Bracket, fan support
109	316136400	A B C	Blade, fan
111	316136600	A B C	Nut, fan retainer
112#	318112703	A B C	Relay
119#	318005202	A B C	Switch, thermal cutout
125#	316415800	A B C	Motor, fan
125*	5303316994	A B C	Insulation, 3.81 x 3.13
127	318317100	A B C	Adapter Assembly, vent tube, w/converter
131	318272900	A B C	Box, vent
132	318003000	A B C	Plate, shield
142	318123910	A B C	Deflector
163	318014110	A B C	Spacer, (6)
166	318298400	A B C	Bracket, base support, (4)
166A	318298403	A B C	Bracket, base support, lower, (2)
170	318335500	A B C	Anti-tip & accessories
185	318165800	A B C	Spacer, (2)
200	318335600	A B C	Frame & Wheel Assembly, black
201	318298210	A B C	Frame, drawer
219#	318003614	A B C	Thermostat, safety
219A	318003613	A B C	Thermostat, safety
263	316136500	A B C	Washer, flat
300	318326500	A B C	Shield, heat
* #	318224929	A B C	Harness, wiring, main
*	318235300	A B C	Connector assy., w/3 lugs, & instructions
*	3051050	A B C	Screw, shoulder
*	08016432	A B C	Screw, truss head, 8-18 x 0.375
*	5303211311	A B C	Screw, 8 x 0.500
*	5303307980	A B C	Screw, 8-32 x 0.437, (4)
*	5303323129	A B C	Screw, 8 X 0.750
*	5304415832	A B C	Screw, 8-18 x 0.406
*	5304436875	A B C	Screw, 8-18 X 1/2, black

TOP/DRAWER

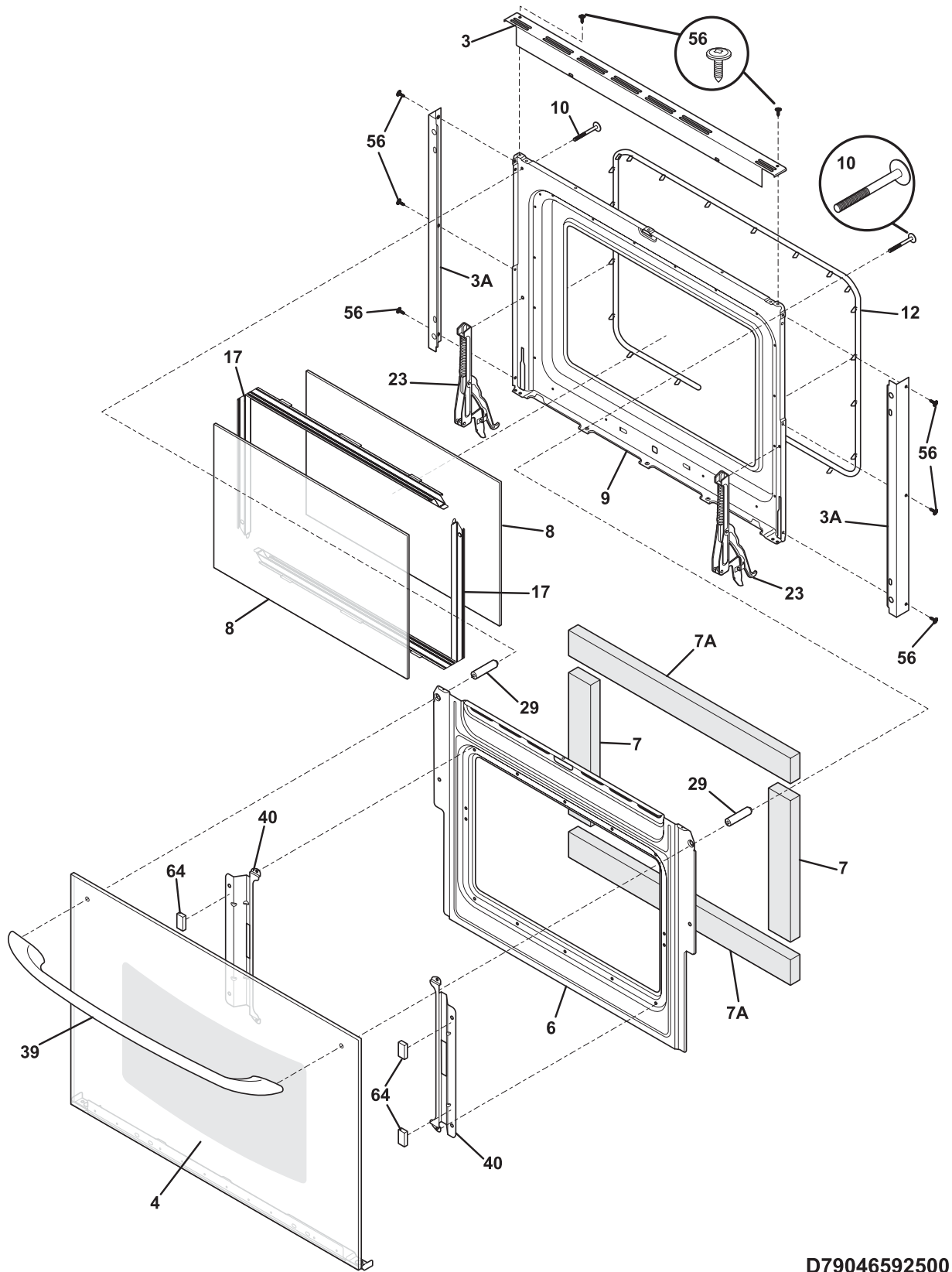


TOP/DRAWER

Model Index: A FES366E (FES366ESB)
 B FES366E (FES366EBB)
 C FES366E (FES366EQB)

POS. NO	PART NO.		DESCRIPTION
1	318107308	A B C	Drawer
4	318298901	A - -	Panel, drawer, white, front
4	318298903	- B -	Panel, drawer, black, front
4	318298902	- - C	Panel, drawer, bisque, front
11	318298601	A B C	Bracket, drawer support, (2)
13	318259501	A B C	Glide, warmer, inner RH
13A	318259500	A B C	Glide, warmer, inner LH
15 #	318198925	A B C	Element, surface, 6/9, 1200/2500W, dual radiant
15A#	318198823	A B C	Element, surface, 9", large, 2700 W
15B#	318198817	A B C	Element, surface, 6", 1200 W, (2)
16	318223632	A - -	Main Top, glass assy., white
16	318223634	- B -	Main Top, glass assy., black
16	318223633	- - C	Main Top, glass assy., bisque
46	318225410	A B C	Box, burner
51 #	318044820	A - C	Light, indicator, red
51 #	318044822	- B -	Light, indicator, clear
52A	318122006	A B C	Spring, element mtg, small
52C	318122010	A B C	Spring, element mtg, 1000W/2500W
124	316105501	A B C	Glide, warmer drawer, outer/RH & LH, (2)
165	318227503	A B C	Plate, mounting
* #	318228917	A B C	Harness, wiring, cooktop
*	5303211311	A B C	Screw, 8 x 0.500
*	5303300265	A B C	Screw, 8-18 X 1/2, (2)

DOOR



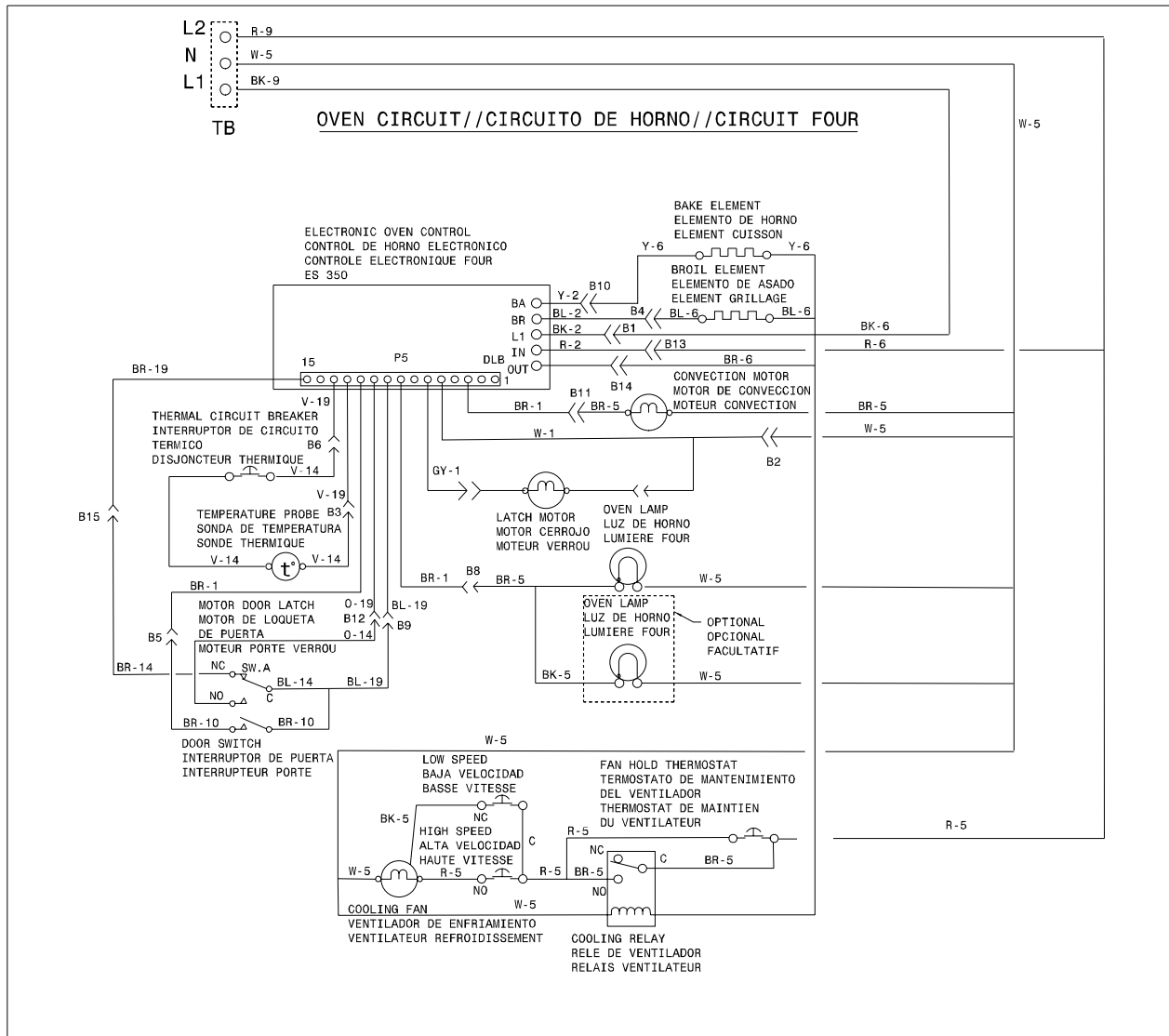
D79046592500

DOOR

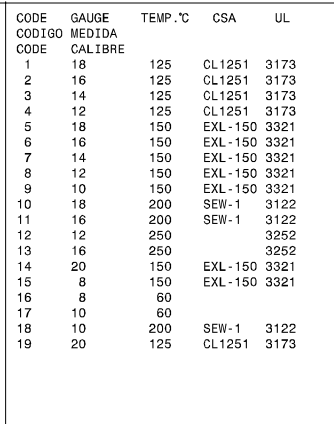
Model Index: A FES366E (FES366ESB)
 B FES366E (FES366EBB)
 C FES366E (FES366EQB)

POS. NO	PART NO.		DESCRIPTION
3	318260201	A B C	Trim, oven door, black, upper
3A	318260401	A B C	Trim, oven door, side, (2)
4	318261301	A - -	Glass Assy., oven door, white, outer, w/trim
4	318261300	- B -	Glass Assy., oven door, black, outer, w/trim
4	318261302	- - C	Glass Assy., oven door, bisque, outer, w/trim
6	318260500	A B C	Baffle, door
7	318285057	A B C	Insulation, oven door
7A	318285062	A B C	Insulation, oven door
8	316117500	A B C	Glass, oven door, heat barrier
9	318259601	A B C	Liner, oven door
10	5304453223	A B C	Screw, handle mtg, 10-14 x 1.82, (2)
12	318053130	A B C	Seal, oven door
17	316402403	A B C	Spacer, door glass, (2)
23	318024722	A B C	Hinge, door, (2)
29	318014402	A B C	Spacer, door
39	316270201	A - -	Handle, door, white
39	316270200	- B -	Handle, door, black
39	316270202	- - C	Handle, door, bisque
40	318242700	A B C	Bracket, glass holder, (2)
56	5304436875	A B C	Screw, 8-18 X 1/2, black
64	318165800	A B C	Spacer, (2)
*	316221001	A B C	Label, anti-tip
*	5304415832	A B C	Screw, 8-18 x 0.406

WIRING DIAGRAM



COLORS/CODIGOS/CODE COULEUR	CODE CODIGO CODE	GAUGE MEDIDA CALIBRE	TEMP. °C	CSA	UL
BK. - BLACK/NEGRO/NOIR					
G. - GREEN/VERDE/VERT					
W. - WHITE/BLANCO/BLANC					
R. - RED/ROJO/ROUGE					
O. - ORANGE/NARANJA/ORANGE					
Y. - YELLOW/AMARILLO/JAUNE					
BR. - BROWN/MORENO/BRUN					
BL. - BLUE/AZUL/BLEU					
	1	18	125	CL1251	3173
	2	16	125	CL1251	3173
	3	14	125	CL1251	3173
	4	12	125	CL1251	3173
	5	18	150	EXL-150	3321
	6	16	150	EXL-150	3321
	7	14	150	EXL-150	3321
	8	12	150	EXL-150	3321
	9	10	150	EXL-150	3321
	10	18	200	SEW-1	3122
	11	16	200	SEW-1	3122
	12	12	250		3252
	13	16	250		3252
	14	20	150	EXL-150	3321
	15	8	150	EXL-150	3321
	16	8	60		
	17	10	60		
	18	10	200	SEW-1	3122
	19	20	125	CL1251	3173



CONNECTOR CONECTOR CONNEXEUR A	CONNECTOR CONECTOR CONNEXEUR B
1	1
2	2
3	3
4	4
5	5
6	6
7	7
8	8
9	9
10	10
11	11
12	12
	13
	14
	15

CAUTION: DISCONNECT CURRENT BEFORE REMOVING REAR COVER.
 ATENCION: CORTAR EL CORRIENTE ANTES DE REALIZAR EL MANTENIMIENTO DEL ELECTRODOMESTICO.
 ATTENTION: COUPEZ L'ALIMENTATION AVANT D'EFFECTUER LA REPARATION.

318271907 REV:B