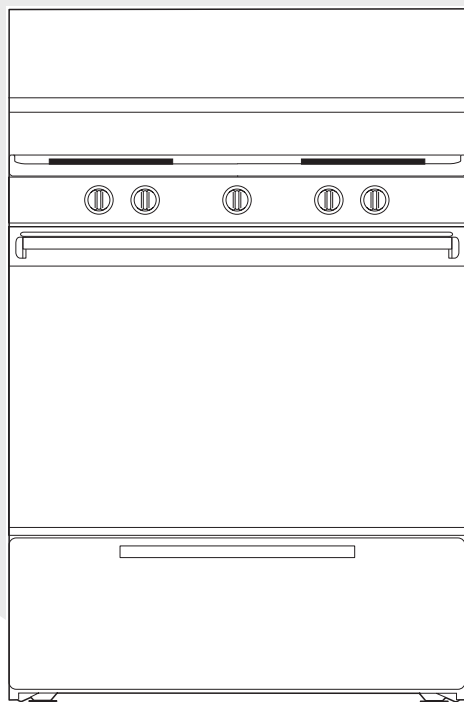


# Frigitaire

## Factory Parts Catalog



Product No.	FGF316BQD	FGF316BSE	FGF316DOA	FGF316DSA
Series	30" f/s gas	30" f/s gas	30" f/s gas	30" f/s gas
Color	bisque	white	bisque	white
Market	North America	North America	North America	North America
Wiring Diagram	316255203	316255203	316255203	316255203
Owner's Guide	316257510	316257510	316257510	316257510
Installation Instructions	316259327	316259327	316259327	316259327

 **Electrolux**

ELECTROLUX HOME PRODUCTS, INC.  
P.O. Box 212378, Augusta, GA 30917

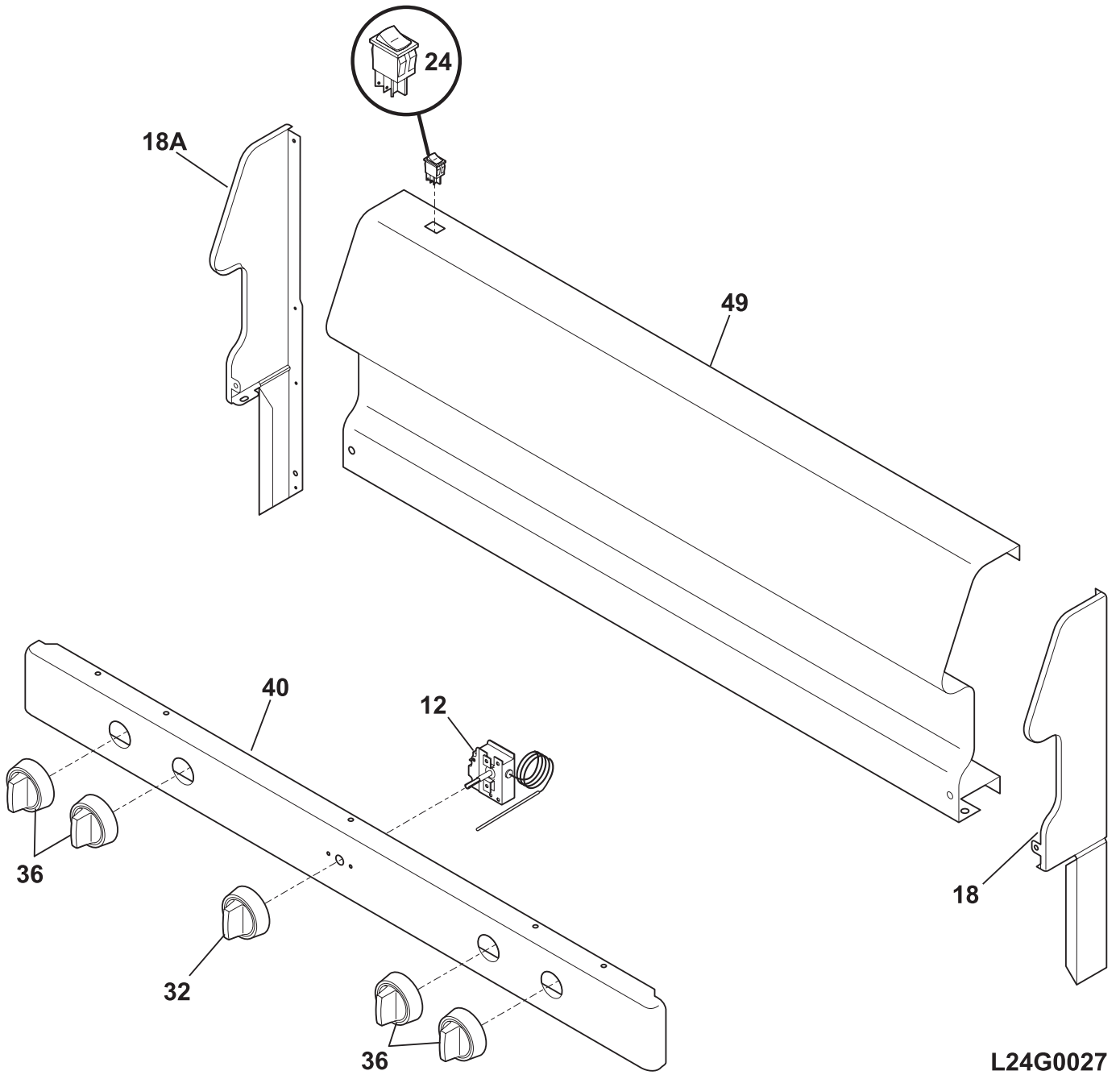
Publication No.  
**5995417069**  
04/09/24  
(EN/SERVICE/ECL)  
369

**30-INCH FREE-  
STANDING GAS  
RANGE**

Model No.  
**FGF316B / FGF316D**

Copyright © 2004 Electrolux Home Products, Inc.  
All rights reserved.

**BACKGUARD**

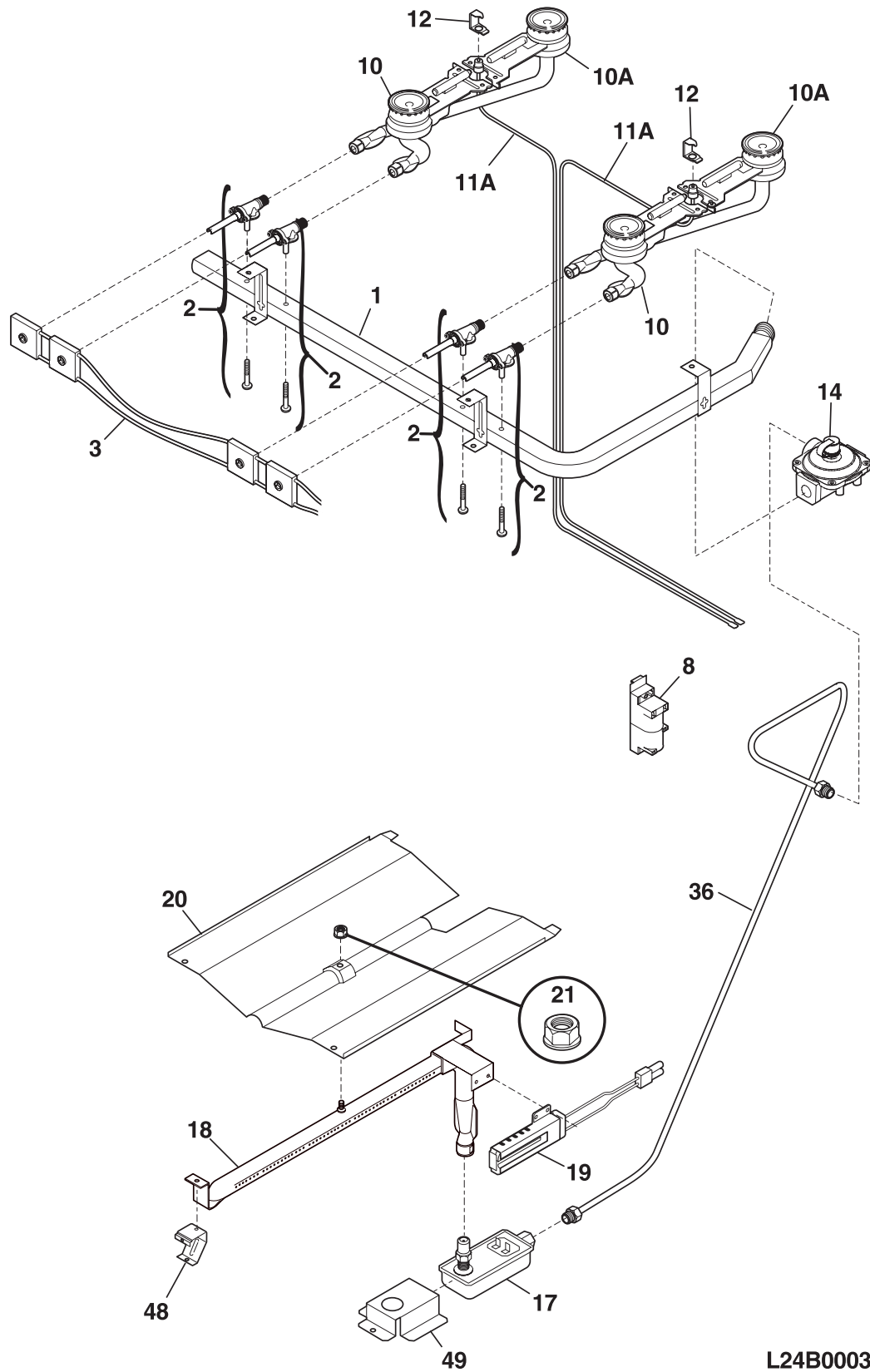


**BACKGUARD**

*Model Index:* A FGF316B (FGF316BSE)  
 B FGF316D (FGF316DSA)  
 C FGF316B (FGF316BQD)  
 D FGF316D (FGF316DQA)

POS. NO	PART NO.				DESCRIPTION	
12 #	316032404	A	B	C	D	Thermostat
12*	316097602	A	B	C	D	Insulator
18	316263404	A	B	-	-	End Cap, white, RH
18	316263406	-	-	C	D	End Cap, bisque, RH
18A	316263405	A	B	-	-	End Cap, white, LH
18A	316263407	-	-	C	D	End Cap, bisque, LH
19	316263301	A	B	-	-	Panel, backguard, white
19	316263302	-	-	C	D	Panel, backguard, bisque
24 #	316118101	A	B	-	-	Switch, oven light, white, rocker
24 #	316118104	-	-	C	D	Switch, oven light, bisque, rocker
32	316102303	A	B	-	-	Knob, thermostat, white
32	316102329	-	-	C	D	Knob, thermostat, bisque
36	316009009	A	B	-	-	Knob, top valve, white, (4)
36	316102323	-	-	C	D	Knob, top valve, bisque, (4)
40	316201812	A	B	-	-	Panel, manifold, white
40	316201813	-	-	C	D	Panel, manifold, bisque
*	316021105	A	B	C	D	Screw, hex head cup pt, 8-18 x 0.375, black
*	316021108	A	B	C	D	Screw, cup pt, 8-18 x 0.375, chrome
*	316021109	A	B	C	D	Screw, 8-18 x 0.5, chrome
*	316021110	A	B	C	D	Screw, 8-18 x 0.5, black

### BURNER



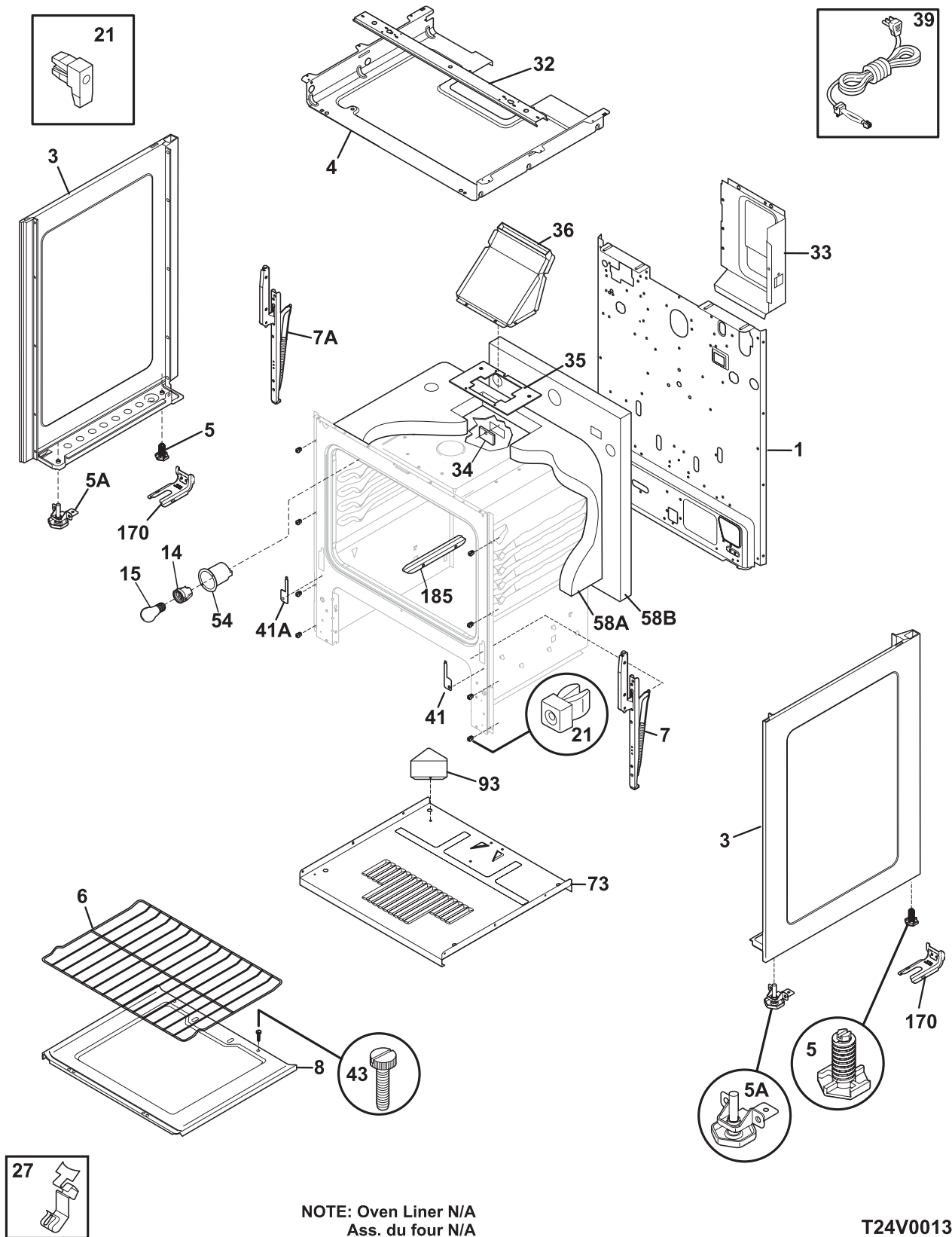
L24B0003

**BURNER**

*Model Index:* A FGF316B (FGF316BSE)  
 B FGF316D (FGF316DSA)  
 C FGF316B (FGF316BQD)  
 D FGF316D (FGF316DQA)

POS. NO	PART NO.				DESCRIPTION	
1 #	316269100	A	B	C	D	Pipe, manifold
2 #	5303935237	A	B	C	D	Valve, top burner, w/mtg screw
*	316215600	A	B	C	D	Screw, valve mtg., 1/4 - 20
3	316001830	A	B	C	D	Wiring Harness, w/igntr switch
8 #	316135700	A	B	C	D	Module, spark
10 #	316103800	A	B	C	D	Burner, top, front, venturi ring
10A#	316103801	A	B	C	D	Burner, top, rear, venturi ring
11A#	316081705	A	B	C	D	Ignitor, top burner, 50"
12	3016993	A	B	C	D	Retainer, ignitor
14 #	316091705	A	B	C	D	Regulator, pressure
14*	316021104	A	B	C	D	Screw, hex, 8-18 x 3/8, nick, (3), regulator brkt
17 #	3203459	A	B	C	D	Valve, safety
18 #	316114300	A	B	C	D	Burner, oven
19 #	5303935066	A	B	C	D	Ignitor, oven kit, w/nut & instr
20	3203265	A	B	C	D	Baffle, oven burner
21	5303013272	A	B	C	D	Nut, hex head sems
36	316065004	A	B	C	D	Tubing, 3/8, alum
48	3018603	A	B	C	D	Bracket, support, oven burner
49	3131438	A	B	C	D	Bracket, safety valve
*	5303271648	A	B	C	D	Screw, wafer hd sq dr, 8-18AB x 0.5

**BODY**

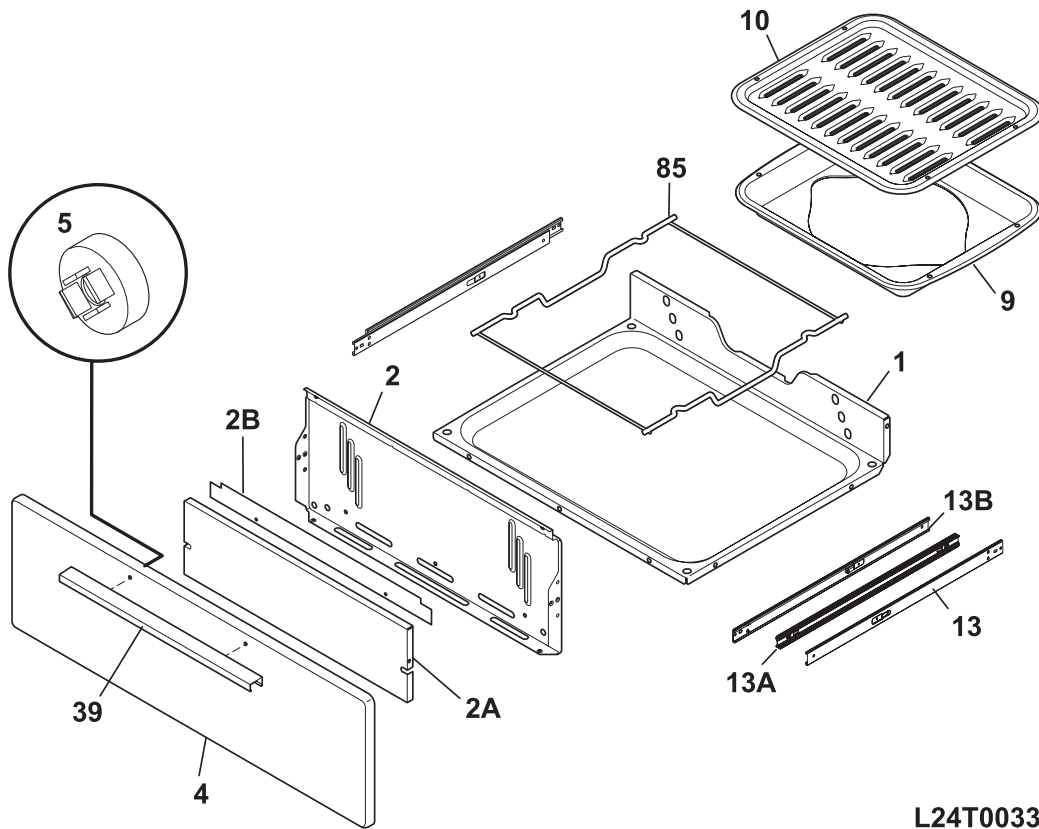
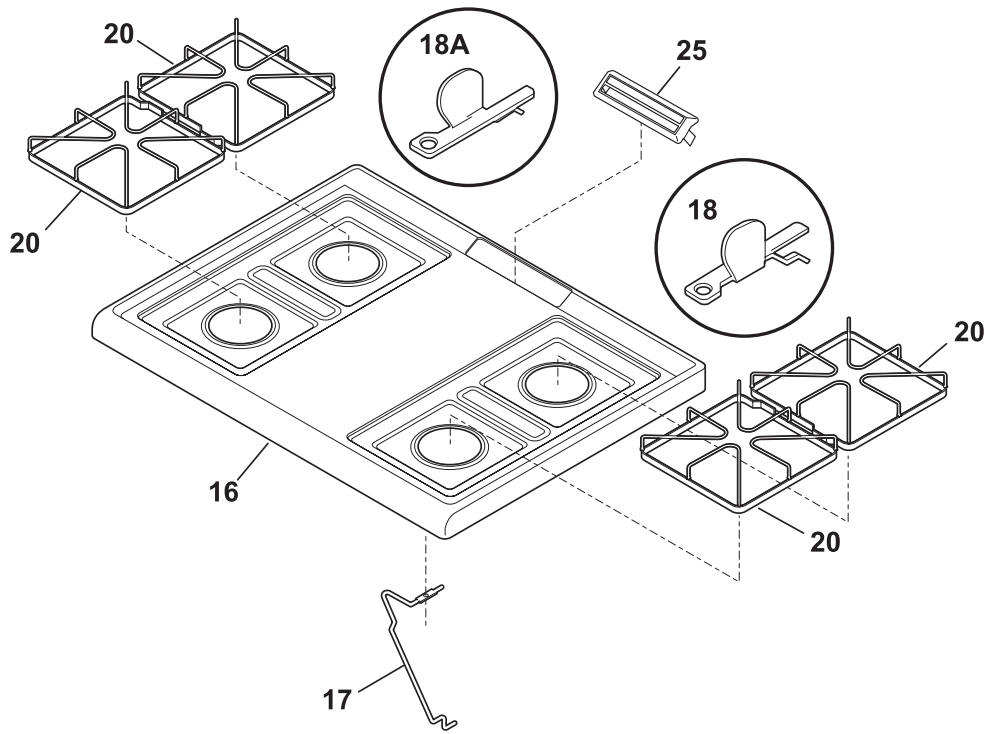


**BODY**

Model Index: A FGF316B (FGF316BSE)  
 B FGF316D (FGF316DSA)  
 C FGF316B (FGF316BQD)  
 D FGF316D (FGF316DQA)

POS. NO	PART NO.		DESCRIPTION
1	316029416	A B C D	Panel, main back
3	316400102	A B - -	Panel, bodyside, white, RH
3	316400103	A B - -	Panel, bodyside, white, LH
3	316400106	- - C D	Panel, bodyside, bisque, RH
3	316400107	- - C D	Panel, bodyside, bisque, LH
4	316067210	A B C D	Burner Box
5	316272900	A B C D	Screw, leveling, plastic, rear, (2)
5A	316407200	A B C D	Leveling Leg Assy, metal, front, (2), bracket & leg
6	316067902	A B C D	Rack, oven
7	316216508	A B C D	Hinge, oven door, RH
7A	316216509	A B C D	Hinge, oven door, LH
8	5303300701	A B C D	Panel, oven bottom
8*	316064600	A B C D	Support, oven bottom
14	316116400	A B C D	Receptacle, oven light
15	5303013071	A B C D	Bulb/Lamp, oven light
21	316408000	A B C D	Clip, bodyside
27	5303284616	A B C D	Clip, thermo bulb mtg
32	316107501	A B C D	Channel, burner support
32*	5303289684	A B C D	Fastener, tanden wire, (2)
33	316055600	A B C D	Shield, spark module, galv steel
34	3018607	A B C D	Plate, cover
35	316116600	A B C D	Gasket, flue
36	316204401	A B C D	Flue, black
39	3202006	A B C D	Cord, electric power
41	316233400	A B C D	Cover, hinge cutout, RH
41A	316233500	A B C D	Cover, hinge cutout, LH
43	3131732	A B C D	Screw, 8-18 x 1.438, oven bottom
54	5303271606	A B C D	Housing, oven light
58A	3017142	A B C D	Insulation, oven wrapper
58B	316054202	A B C D	Insulation, 1", oven back
73	316109902	A B C D	Base, low broil
93	316110000	A B C D	Shield, ignitor, metal
170	5303935180	A B C D	Anti-tip Kit, w/bracket, screw
170*	316107200	A B C D	Bracket, anti-tip
170*	316112500	A B C D	Template, anti-tip
170*	316116000	A B C D	Screw, concrete, 1.75", anti-tip brkt
185	316112900	A B C D	Shield, thermo bulb
*	316246400	A B C D	Plug, button, oven probe
*	316435800	A B C D	Plate, weight, (3)
*	5303305324	A B - -	Paint, touch-up, white
*	5304414035	- - C D	Paint, touch-up, bisque
*	316021105	A B C D	Screw, hex head cup pt, 8-18 x 0.375, black
*	316021108	A B C D	Screw, cup pt, 8-18 x 0.375, chrome
*	316021110	A B C D	Screw, 8-18 x 0.5, black
*	316089500	A B C D	Screw, 10-16 x .486
*	5303271648	A B C D	Screw, wafer hd sq dr, 8-18AB x 0.5
*	5303280311	A B C D	Screw, wafer hd sq dr, 10-32 x 0.312
*	5303285179	A B C D	Screw, wafer head, 8-32T x 0.500, black

TOP/DRAWER



L24T0033

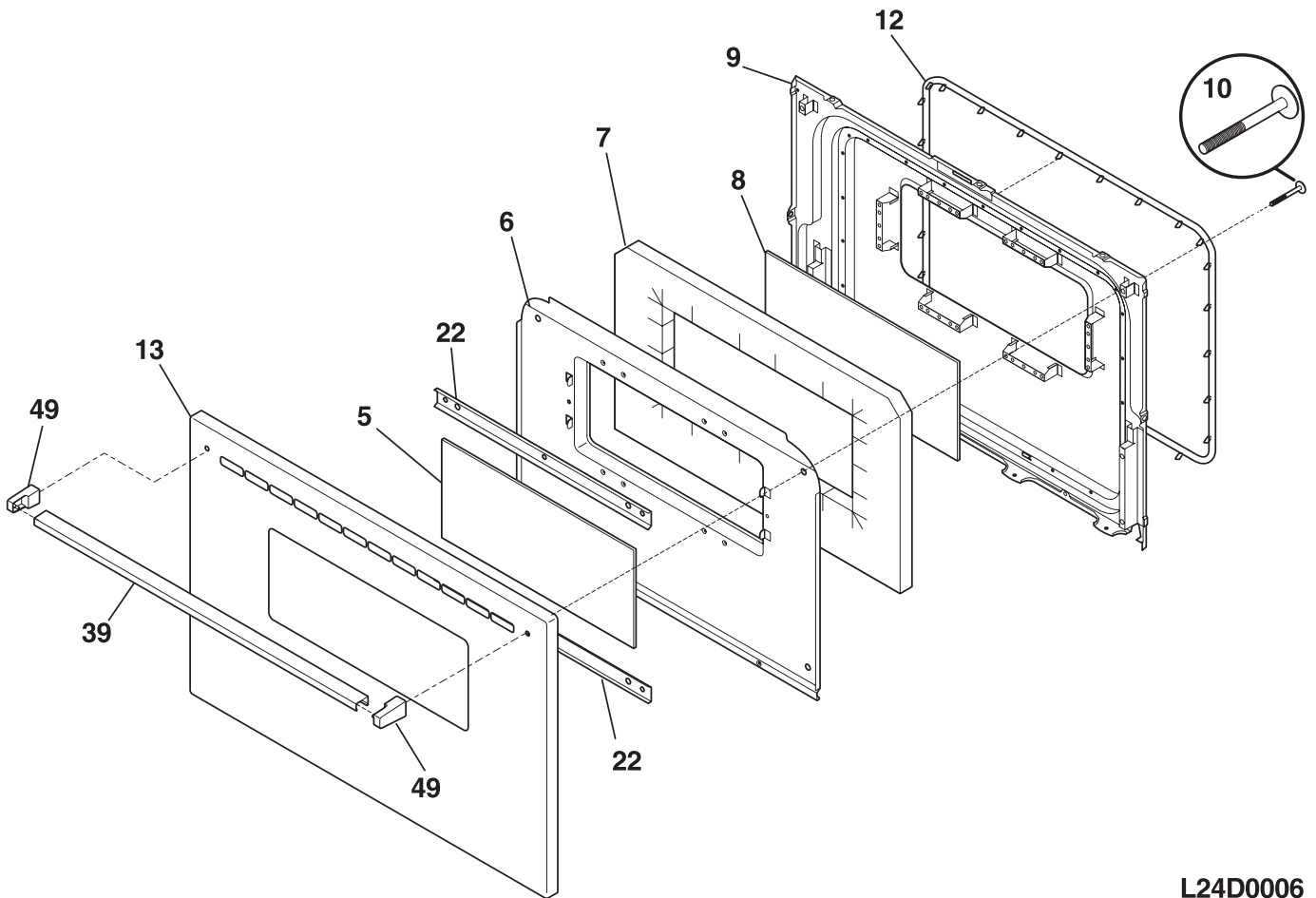


**TOP/DRAWER**

*Model Index:* A FGF316B (FGF316BSE)  
 B FGF316D (FGF316DSA)  
 C FGF316B (FGF316BQD)  
 D FGF316D (FGF316DQA)

POS. NO	PART NO.		DESCRIPTION
1	316110201	A B C D	Carriage, low broil
2	316236401	A B C D	Liner, low broil
2A	316110800	A B C D	Shield, broiler
2B	316237600	A B C D	Shield, low broil, top
4	316231211	A B - -	Panel, drawer, white
4	316231214	- - C D	Panel, drawer, bisque
5	316129100	A B C D	Fastener, push-in nut, nylon, spacer
9	316081900	A B C D	Pan, broiler
10	316082000	A B C D	Insert, broiler pan
13	316111502	A B C D	Glide, low broil, chassis
13A	316111600	A B C D	Glide, low broil, inner
13B	316111501	A B C D	Glide, low broil, outer
16	316273001	A B - -	Main Top, white
16	316273003	- - C D	Main Top, bisque
17	316066900	A B C D	Rod, maintop support
18	08067747	A B C D	Bracket, hinge, main top RH
18A	08067746	A B C D	Bracket, hinge, main top LH
20 #	316277801	A B C D	Grate, black, (4)
25	316104500	A B C D	Cover, vent, chrome
39	316019511	A B - -	Handle, drawer, white
39	316019513	- - C D	Handle, drawer, bisque
85	316115600	A B C D	Rack, low broil
*	316021105	A B C D	Screw, hex head cup pt, 8-18 x 0.375, black
*	316021108	A B C D	Screw, cup pt, 8-18 x 0.375, chrome
*	316021109	A B C D	Screw, 8-18 x 0.5, chrome
*	316021110	A B C D	Screw, 8-18 x 0.5, black
*	316021120	A B C D	Screw, shoulder head, 8-18 x 5/8, (2), square drive
*	5303280311	A B C D	Screw, wafer hd sq dr, 10-32 x 0.312

**DOOR**



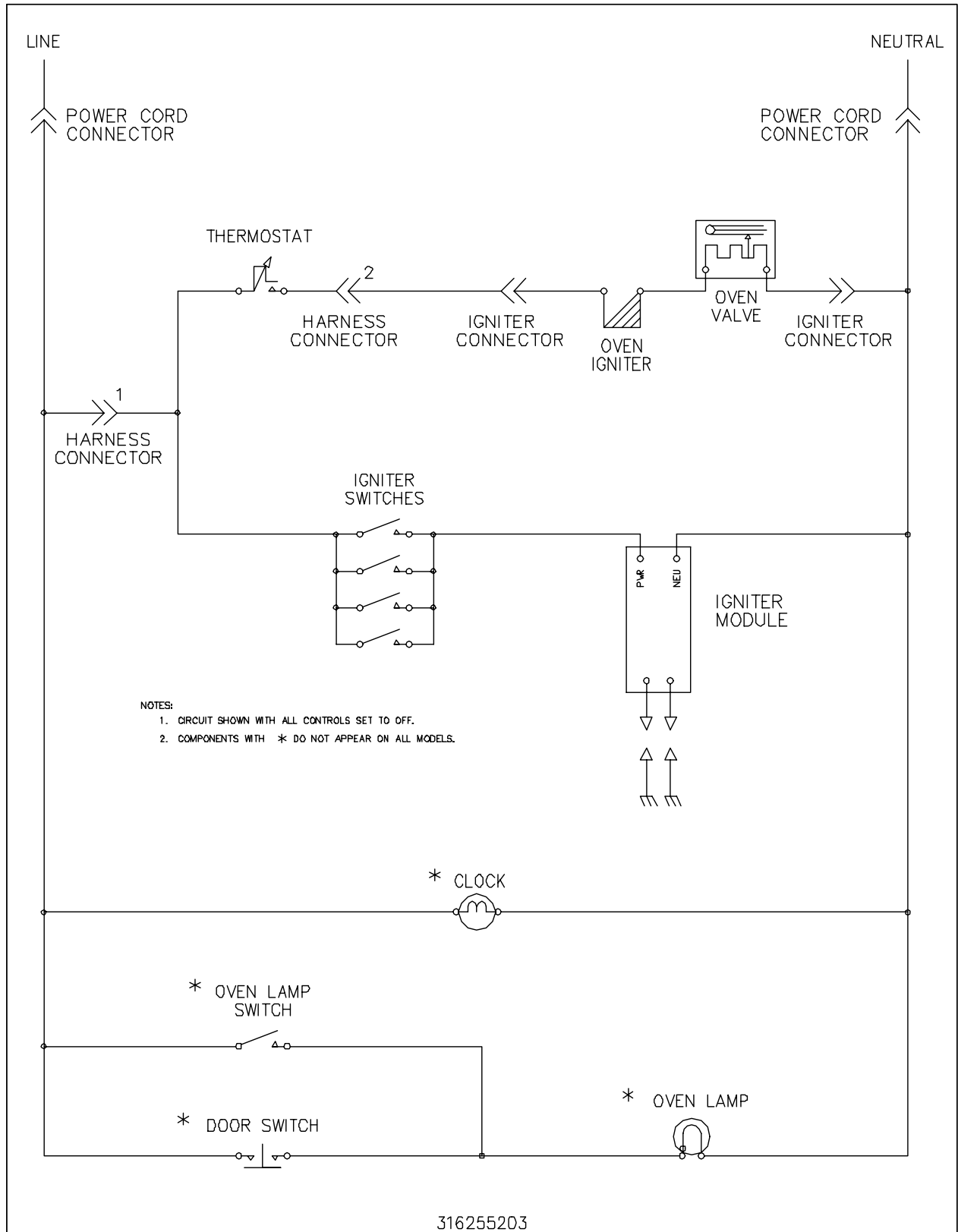
**L24D0006**

**DOOR**

*Model Index:* A FGF316B (FGF316BSE)  
 B FGF316D (FGF316DSA)  
 C FGF316B (FGF316BQD)  
 D FGF316D (FGF316DQA)

POS. NO	PART NO.		DESCRIPTION
5	316050307	A B C D	Glass, oven door, white, outer
6	316222709	A B C D	Shield, oven door, wool
7	316236800	A B C D	Insulation, oven door
8	316088600	A B C D	Glass, oven door, inner
9	316230616	A B C D	Liner, oven door
10	316001009	A B C D	Screw, waf hd sq, 10-24 x 1.88, (2), handle mtg
10B	316008401	A B C D	Washer, 3/4 OD x 1/4 ID, steel
12	316239700	A B C D	Seal, oven door
13	316202702	A B - -	Panel, oven door, white
13	316202704	- - C D	Panel, oven door, bisque
39	316020202	A B - -	Handle, oven door, white
39	316020206	- - C D	Handle, oven door, bisque
49	316137000	A B - -	End Cap, handle, white, (2)
49	316137002	- - C D	End Cap, handle, bisque, (2)
60B	316021110	A B C D	Screw, 8-18 x 0.5, black
*	316433600	A B C D	Label, anti-tip
*	316245600	A B C D	Seal, door, air gap
*	316021109	A B C D	Screw, 8-18 x 0.5, chrome
*	5303271648	A B C D	Screw, wafer hd sq dr, 8-18AB x 0.5
*	5303280311	A B C D	Screw, wafer hd sq dr, 10-32 x 0.312
*	5303285179	A B C D	Screw, wafer head, 8-32T x 0.500, black

WIRING SCHEMATIC



**WIRING DIAGRAM**

