

Frigidaire

Factory Parts Catalog

Product No.	FGF345GSD
Series	30" f/s gas
Color	white
Market	North America
Owner's Guide	316417163
Installation Instructions	316259343
Service Data Sheet	316441758

 **Electrolux**

Electrolux Major Appliances
North & Latin America
P.O. BOX 212378
AUGUSTA, GA 30917

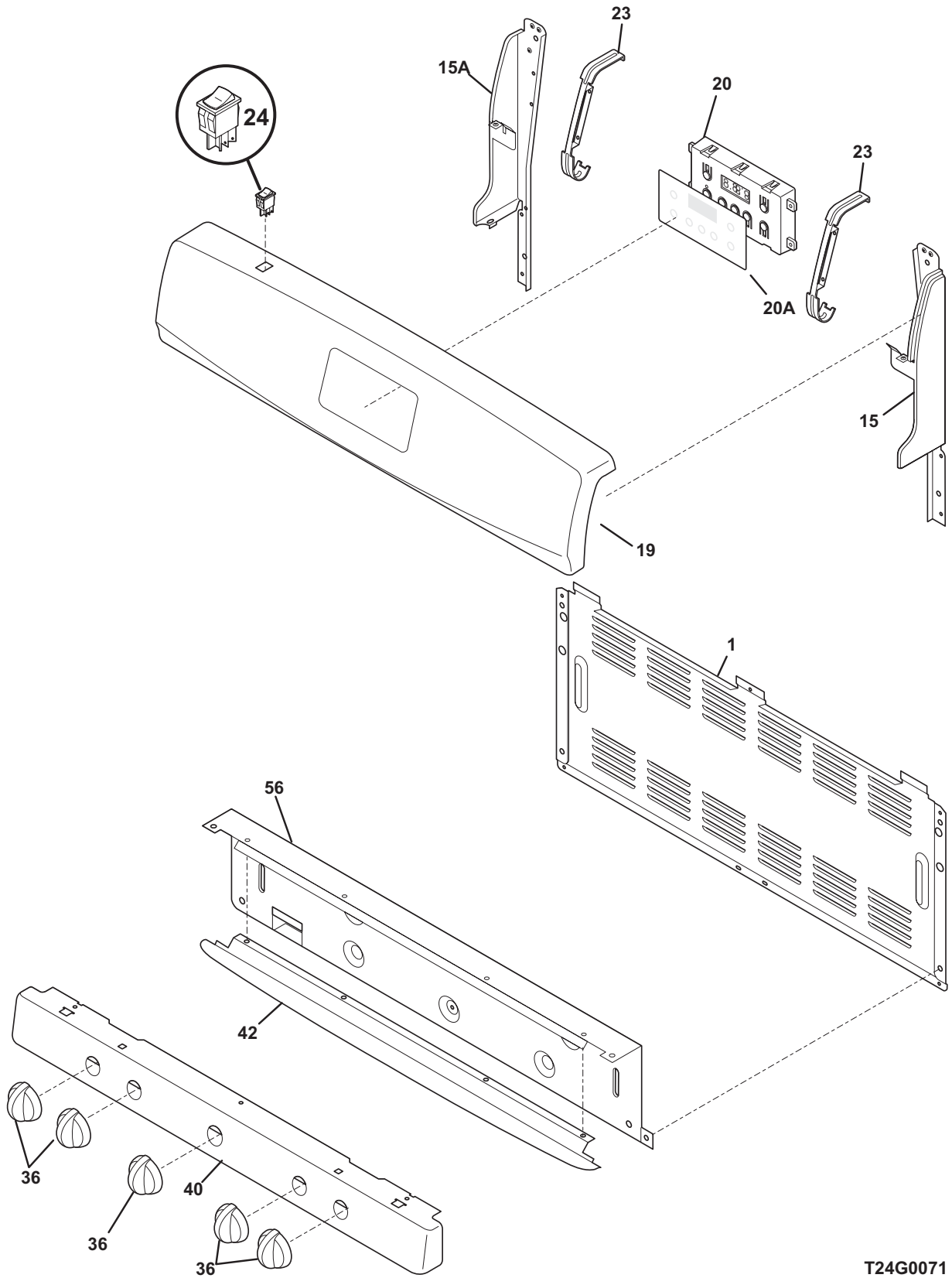
Publication No.
5995535712
09/03/18
(EN/SERVICE/BJH)
369

**30-INCH FREE-
STANDING GAS
RANGE**

**Model No.
FGF345G**

Copyright © 2009 Electrolux Home Products, Inc.
All rights reserved.

BACKGUARD

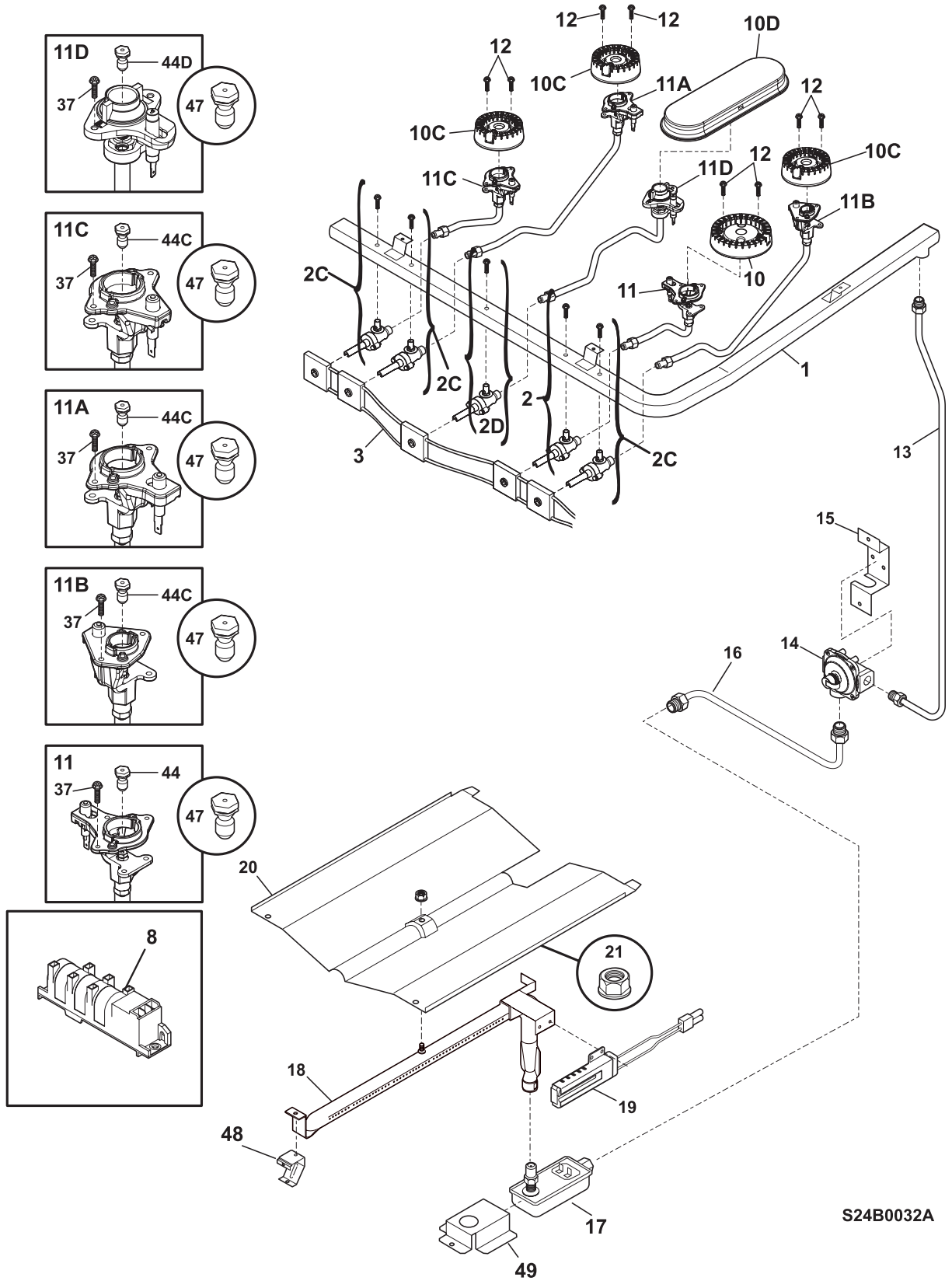


T24G0071

BACKGUARD

POS. NO	PART NO.	DESCRIPTION
1	316416100	Shield, backguard, rear wall
15	316411403	Support, backguard, white, RH
15A	316411402	Support, backguard, white, LH
19	316445219	Panel, backguard, white
20 #	316455410	Clock/Timer, electronic, ES100
20A	316220700	Overlay, clock, white
23	316441600	Bracket-clock mtg, black
24 #	316448701	Switch, rocker, white, oven light
36	316220008	Knob, top valve, white, (4)
40	316447373	Panel, manifold, white
42	316270601	Trim, extrusion, grey
56	316230701	Shield, backguard, inner
*	316021108	Screw, cup pt, 8-18 x 0.375, chrome
*	316021109	Screw, 8-18 x 0.5, chrome

BURNER

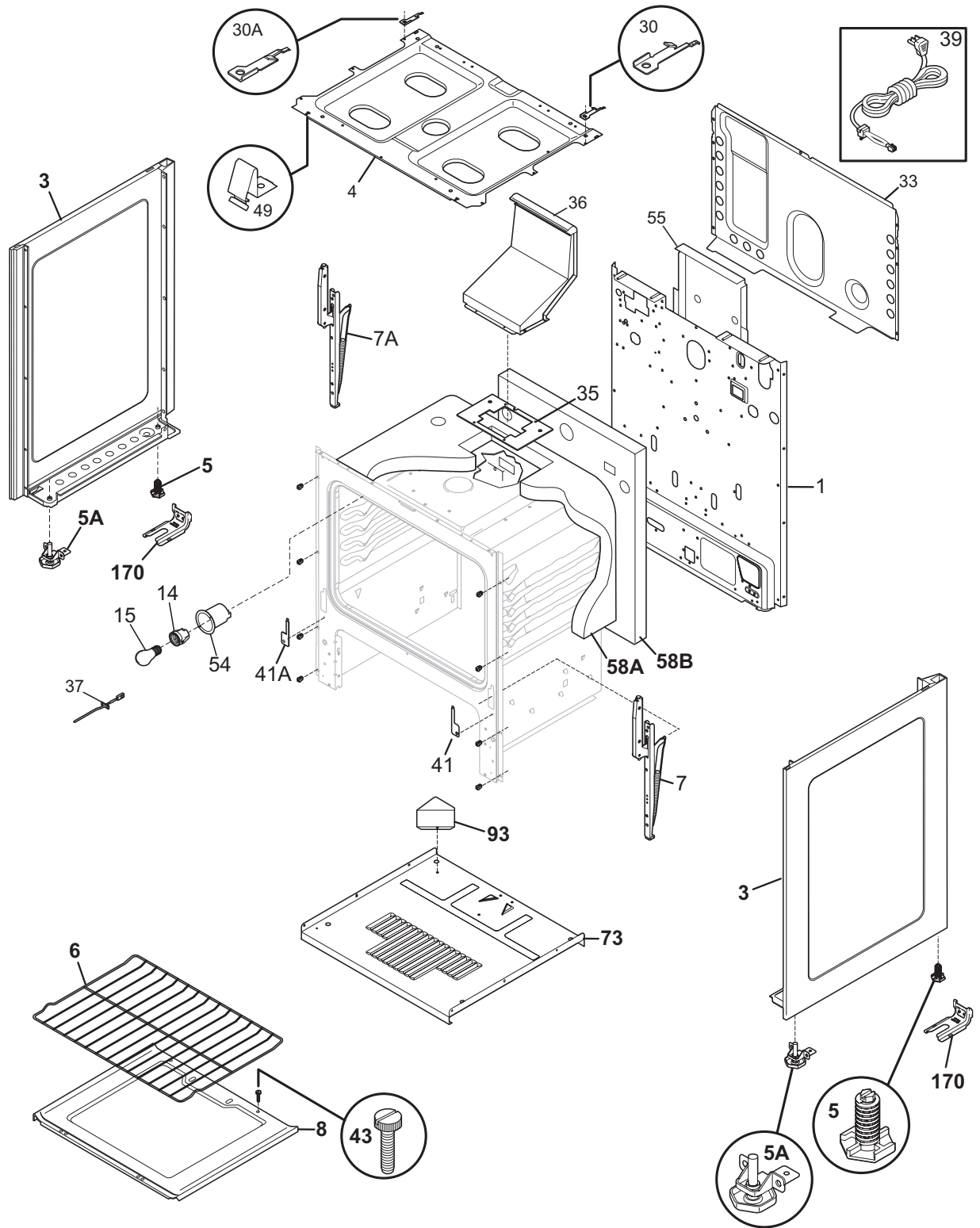


S24B0032A

BURNER

POS. NO	PART NO.	DESCRIPTION
1 #	316219501	Pipe, manifold
2 #	5303935306	Valve, 12K top burner, w/mtg screw
2C #	5303935305	Valve, 9.5K burner, w/mtg screw
2D #	5303935309	Valve-top burner, tortilla
*	316215600	Screw, valve mtg., 1/4 - 20
3 #	316219018	Wiring Harness, w/igntr switch
8	318079001	Module, spark
10 #	316438000	Burner, sealed, 12K
10C#	316527400	Burner, sealed, 9.5K
10D#	316532001	Burner, sealed, oval, 9.5K
11 #	316449401	Ignitor/orifice assy., top burner, RF, 12K, w/holder-tube
11A#	316449300	Ignitor/orifice assy., top burner, LR, 9.5K, w/tube & holder
11B#	316449301	Ignitor/orifice assy., top burner, RR, 9.5K, w/tube & holder
11C#	316449302	Ignitor/orifice assy., top burner, left front, 9.5K, w/tube & holder
11D#	316532601	Ignitor/orifice assy., top burner, center, 9.5K, w/holder-tube
12	316529700	Screw, burner head, mtg., (8)
13 #	316207000	Tube, 3/8, aluminum, rgltr to manf, with fittings
14 #	316091706	Regulator, pressure
14*	316021104	Screw, hex, 8-18 x 3/8, nick, (3), regulator brkt
15	316091600	Bracket, regulator
16 #	316436500	Tube-valve to rgltr, 3/8
17 #	3203459	Valve, safety
18 #	316114300	Burner, oven
19 #	316489402	Ignitor, oven kit, w/nut & instr
20	316496001	Baffle, oven burner
21	5303013272	Nut, hex head sems
37	316240600	Screw, assy mtg, (8), ignitor/orifice
44	316527502	Orifice, top burner, 12K
44C	316527500	Orifice, top burner, 9.5K
44D	316237902	Orifice, top burner, center, 9.5K
47	GRLP3	LP Conversion Kit, w/instructions
47*	316417518	Instructions, LP conversion
48	3018603	Bracket, support, oven burner
49	316416300	Bracket, safety valve
* #	316253702	Wiring Harness, ignitor module
* #	316064103	Wire, ground assembly
*	5303271648	Screw, wafer hd sq dr, 8-18AB x 0.5

BODY



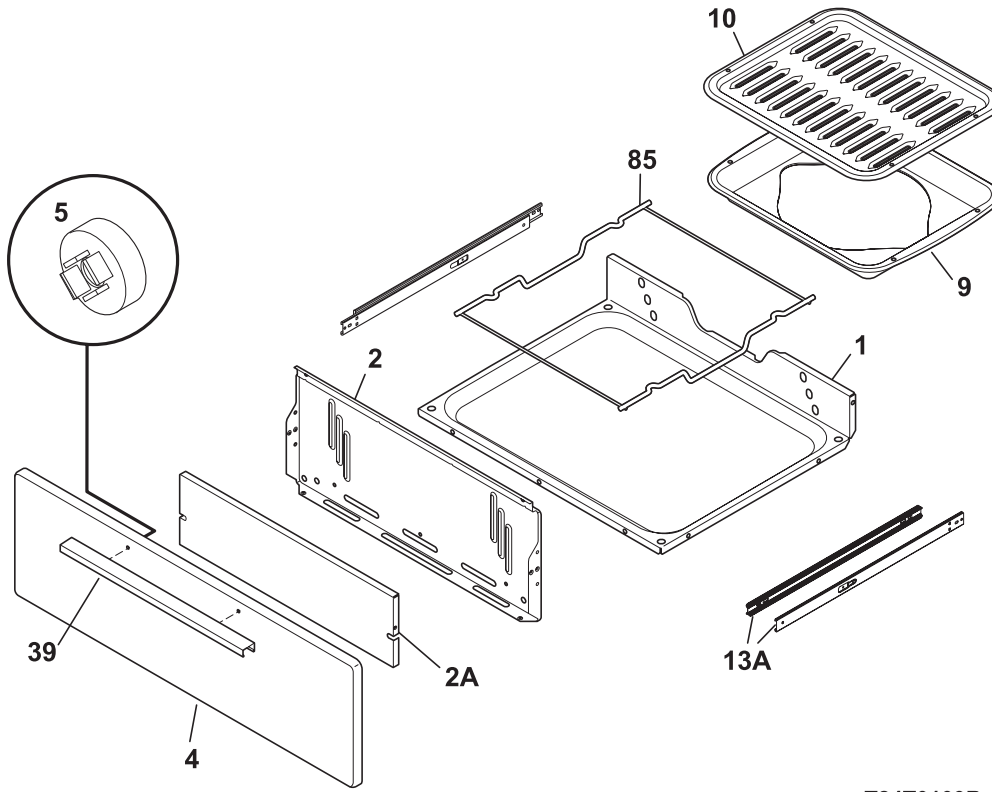
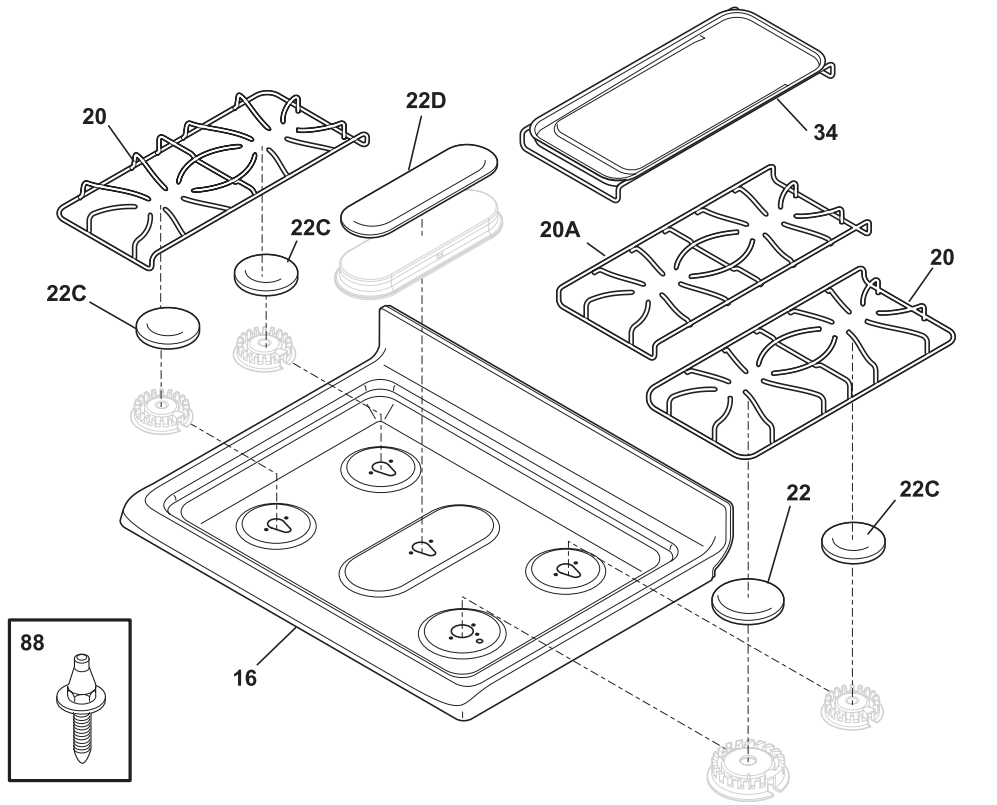
NOTE: Oven Liner N/A
Ass. du four N/A

T24V0112

BODY

POS. NO	PART NO.	DESCRIPTION
1	316029415	Panel, main back
3	316400116	Panel, bodyside, white, RH
3	316400117	Panel, bodyside, white, LH
4	316201403	Burner Box
5	316272900	Screw, leveling, plastic, rear, (2)
5A	316407201	Leveling Leg Assy, metal, front, (2), bracket & leg
6	316067902	Rack, oven, (2)
7	316216510	Hinge, oven door, RH
7A	316216511	Hinge, oven door, LH
8	316495901	Panel,, oven bottom
8*	316064600	Support, oven bottom
14	316116400	Receptacle, oven light
15	316538901	Lamp, oven light
30	316217700	Bracket, hinge, RH, main top
30A	316217701	Bracket, hinge, LH, main top
33	316402500	Shield, rear wall
35	316542100	Gasket-flue
36	316208902	Flue, black
37 #	316233900	Probe, oven temp
39	3202006	Cord, electric power
41	316233400	Cover, hinge cutout, RH
41A	316233500	Cover, hinge cutout, LH
43	3131732	Screw, 8-18 x 1.438, oven bottom
49	316234200	Clip, maintop mtg, (2)
54	5303271606	Housing, oven light
58A	3017142	Insulation, oven wrapper
58B	316054202	Insulation, 1", oven back
73	316109902	Base, low broil
93	316110000	Shield, ignitor, metal
170	316112004	Anti Tip Kit, assembly
170*	316107200	Bracket, anti-tip
170*	316116000	Screw, concrete, 1.75", anti-tip brkt
170*	316541700	Template, anti-tip
*	316528100	Harness, wiring, main
*	316435800	Plate, weight, (3)
*	316539800	Retainer, wire
*	316021105	Screw, hex head cup pt, 8-18 x 0.375, black
*	316021110	Screw, 8-18 x 0.5, black
*	316089500	Screw, 10-16 x .486
*	5303271648	Screw, wafer hd sq dr, 8-18AB x 0.5
*	5303285179	Screw, wafer head, 8-32T x 0.500, black

TOP/DRAWER

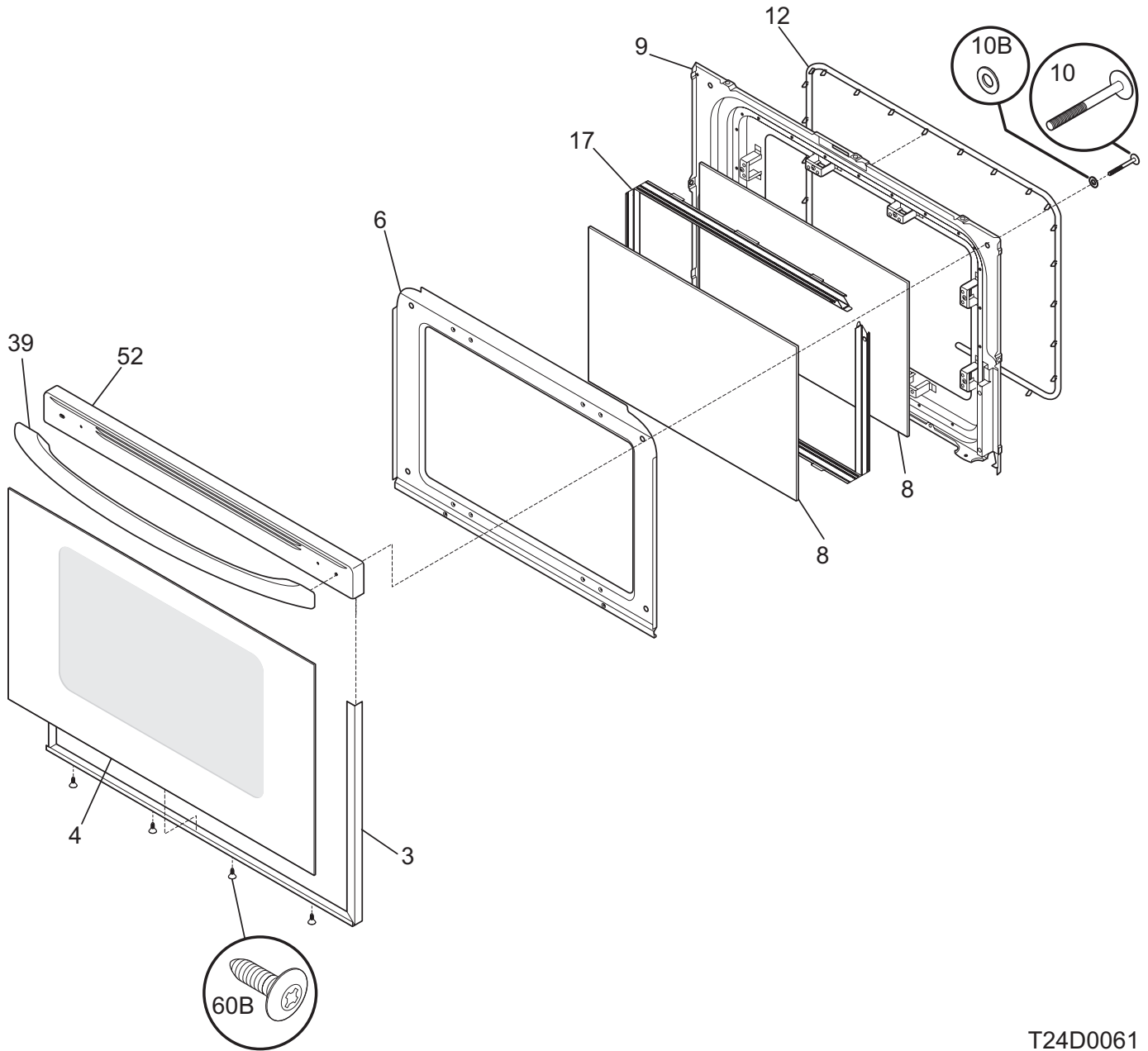


T24T0109B

TOP/DRAWER

POS. NO	PART NO.	DESCRIPTION
1	316110201	Carriage, low broil
2	316236401	Liner, low broil
2A	316541500	Shield, broiler
4	316231211	Panel, drawer, white
5	316129100	Fastener, push-in nut, nylon, spacer
9	316081902	Pan, broiler, slate blue
10	316082002	Insert, broiler pan, slate blue
13A	316534200	Glide-Low Broil, Inner
16	316469642	Maintop panel, white
20	316531500	Grate, (2)
20A	316531400	Grate, center, black, (1)
22	316438100	Cap, 12K-burner, black
22C	316527700	Cap, 9.5K burner, black
22D	316532101	Cap, 9.5K burner, oval, black, center
34	316531600	Griddle
39	316019511	Handle, drawer, white
85	316115600	Rack, low broil
88	316099500	Pin, guide, (2)
*	316021105	Screw, hex head cup pt, 8-18 x 0.375, black
*	316021109	Screw, 8-18 x 0.5, chrome
*	316021110	Screw, 8-18 x 0.5, black
*	316021120	Screw, shoulder head, 8-18 x 5/8, (2), square drive

DOOR



T24D0061

DOOR

POS. NO	PART NO.	DESCRIPTION
3	5303935321	Trim kit-door, 3 sided, white, w/tape and foil
4	316202818	Glass, oven door, white, outer
6	316222711	Shield, wool, black, oven door
8	316237100	Glass, oven door, clear, heat barrier, (2)
9	316230623	Liner, oven door
10	316278700	Screw, wafer head, 10-14 x 1 3/8, handle mtg
10B	316008401	Washer, 3/4 OD x 1/4 ID, steel
12	316239700	Seal, oven door
17	316117701	Spacer, door glass, (2)
39	316270201	Handle, door, white
52	316468600	Cap, door trim, white
60B	316021110	Screw, 8-18 x 0.5, black
*	316433600	Label, anti-tip
*	316021109	Screw, 8-18 x 0.5, chrome
*	5303271648	Screw, wafer hd sq dr, 8-18AB x 0.5
*	5303285179	Screw, wafer head, 8-32T x 0.500, black