

Frigidaire

Factory Parts Catalog

Product No.	FGF355GWA
Series	30" f/s gas
Color	black/white
Market	North America
Owner's Guide	316417118
Installation Instructions	316259336
Service Data Sheet	316441736

 **Electrolux**

Electrolux Major Appliances
North & Latin America
P.O. BOX 212378
AUGUSTA, GA 30917

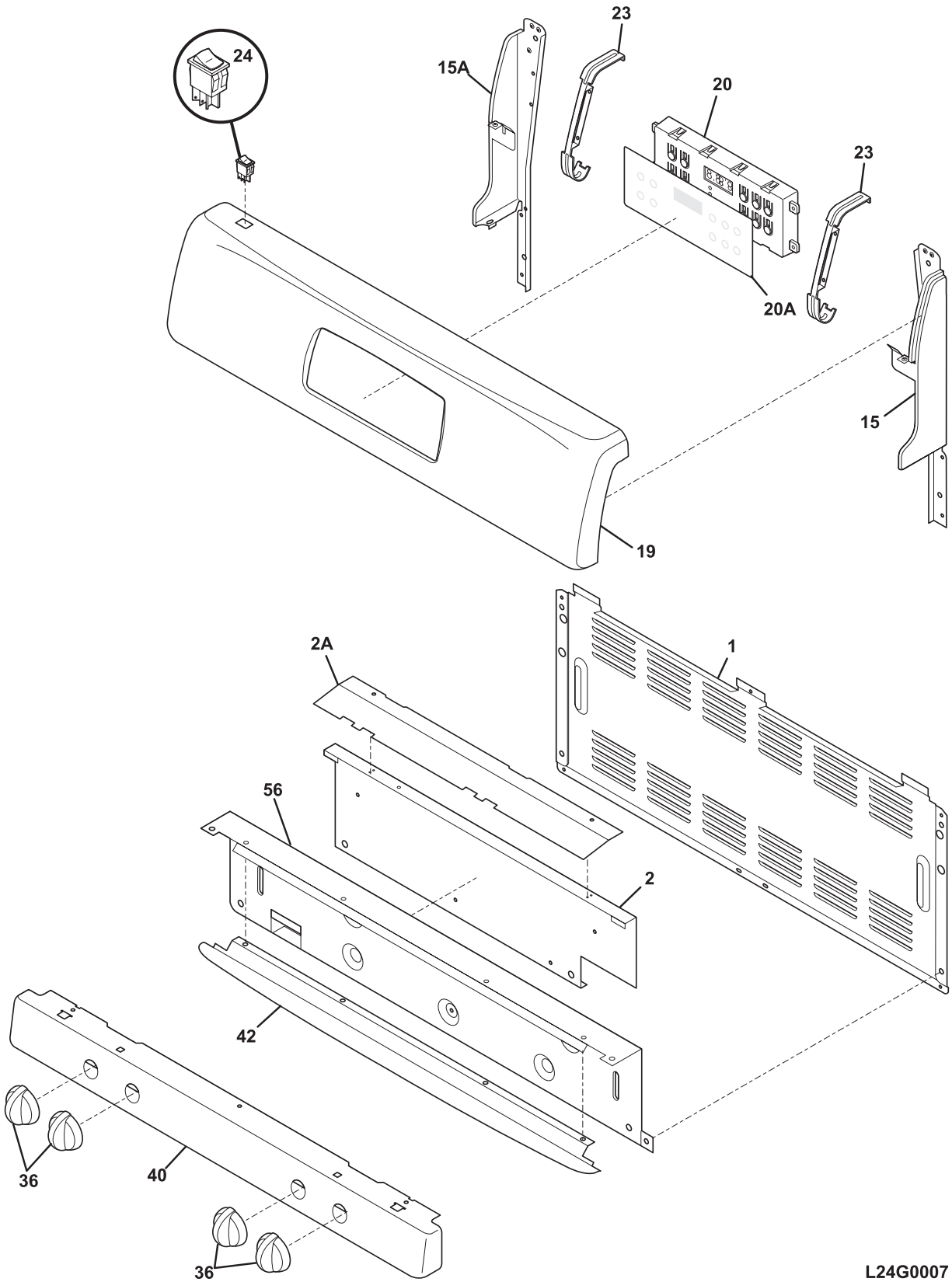
Publication No.
5995494225
07/07/02
(EN/SERVICE/ECL)
369

**30-INCH FREE-
STANDING GAS
RANGE**

**Model No.
FGF355G**

Copyright © 2007 Electrolux Home Products, Inc.
All rights reserved.

BACKGUARD

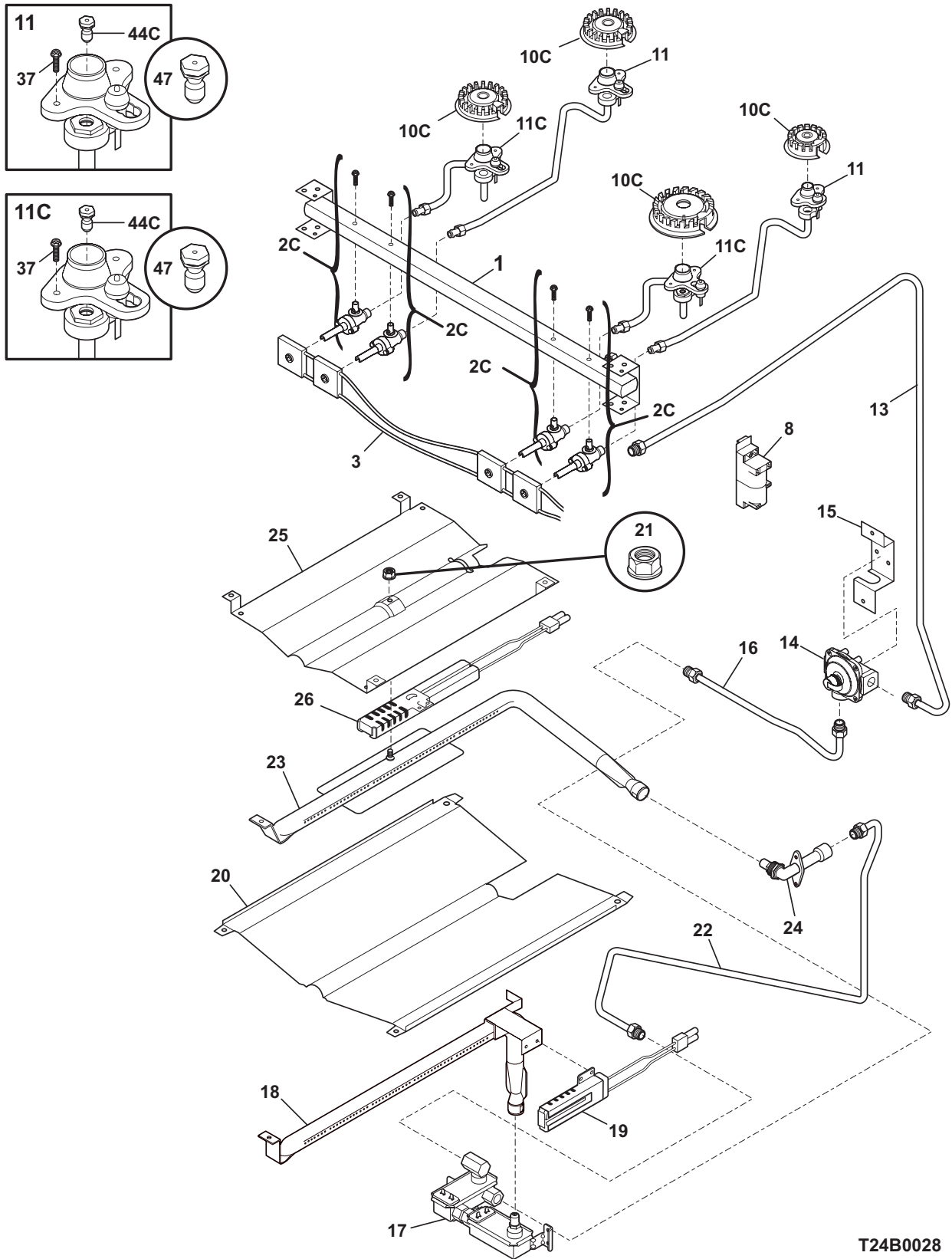


L24G0007

BACKGUARD

POS. NO	PART NO.	DESCRIPTION
1	316416100	Shield, backguard, rear wall
2	316051600	Shield, backguard, inner
2A	316235100	Shield, top, inner
15	316411405	Support, backguard, black, RH
15A	316411404	Support, backguard, black, LH
19	316445221	Panel-backguard, black
20 #	316418205	Clock/Timer, electronic, ES200
20A	316419100	Overlay, clock, black, ES200
23	316441600	Bracket-clock mtg, black
24 #	316448700	Switch, rocker, black, oven light
36	316220002	Knob, top valve, black, 4
40	316489002	Panel-manifold, black
42	316416200	Trim, extrusion, black
56	316230701	Shield, backguard, inner
*	316021105	Screw, hex head cup pt, 8-18 x 0.375, black
*	316021108	Screw, cup pt, 8-18 x 0.375, chrome
*	316021109	Screw, 8-18 x 0.5, chrome
*	316021110	Screw, 8-18 x 0.5, black

BURNER



T24B0028

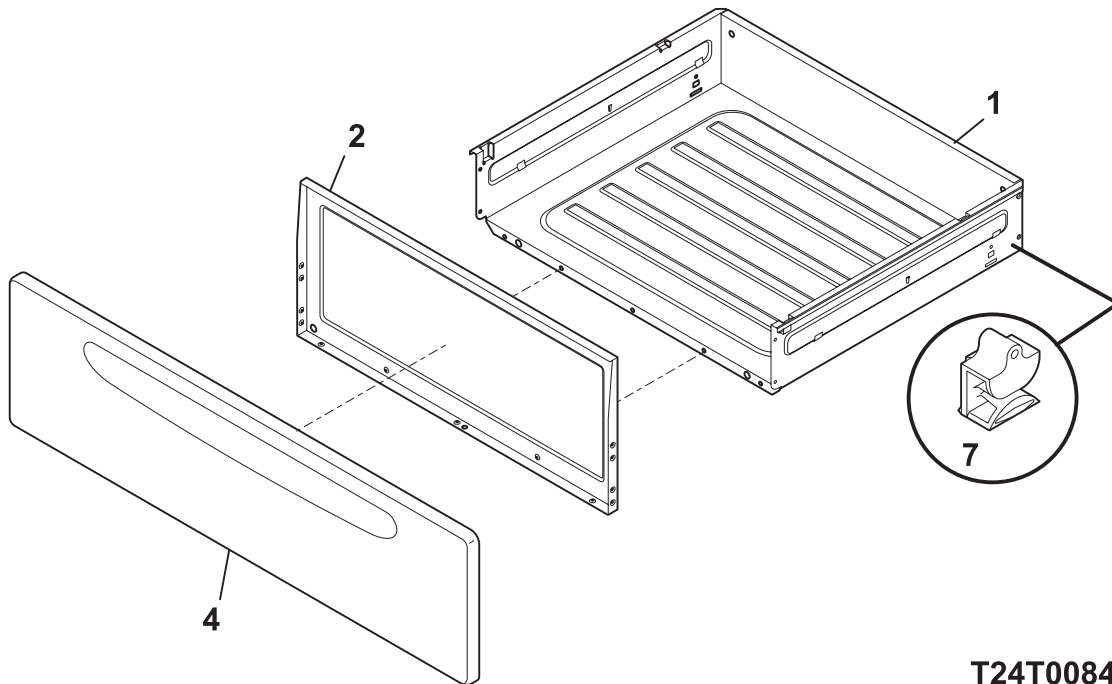
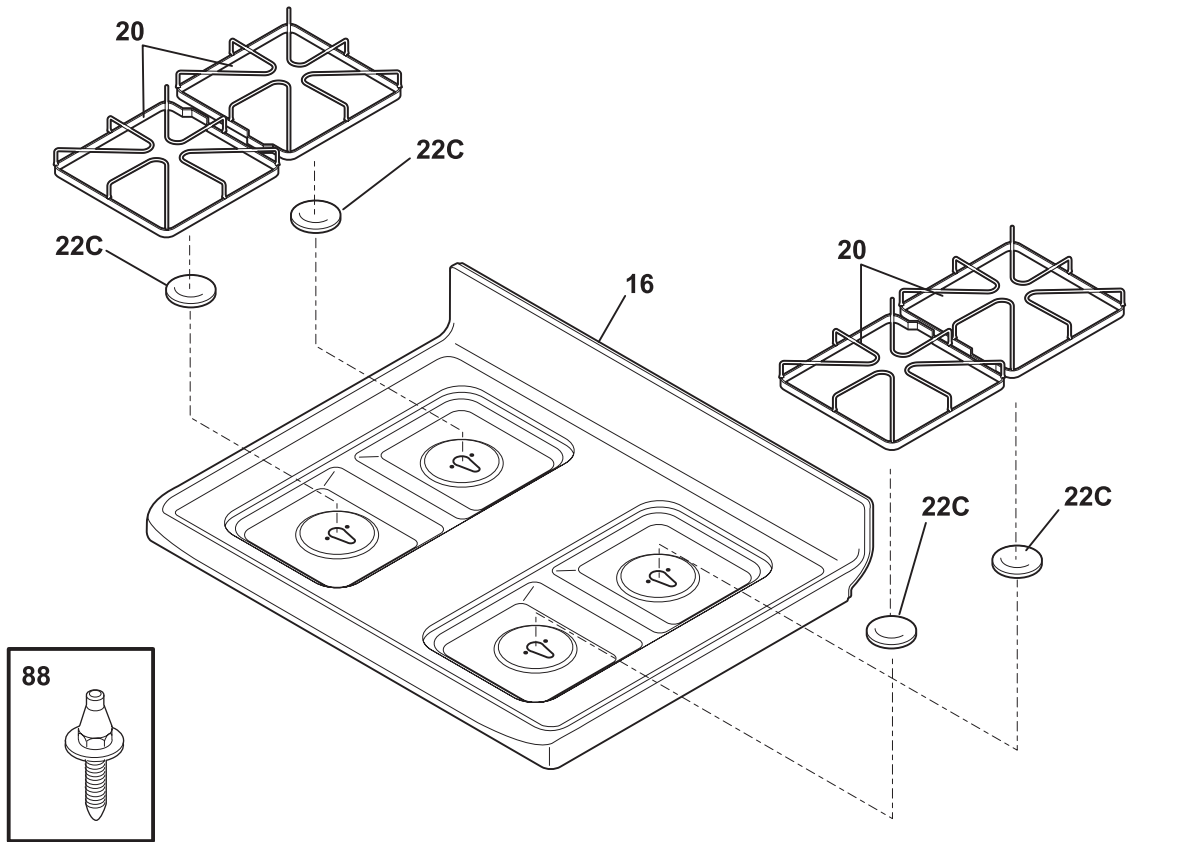
BURNER

POS. NO	PART NO.	DESCRIPTION
1 #	316446800	Manifold Pipe
2C #	5303935234	Valve, 9.5K burner, w/mtg screw
*	316215600	Screw, valve mtg., 1/4 - 20
3 #	316219004	Wiring Harness, w/igntr switch
8 #	316135701	Module, spark
10C#	316212400	Burner, sealed, 9.5K
11 #	316237701	Ignitor/orifice assy., top burner, rear, 9.5K, w/holder, tube
11C#	316237800	Ignitor/orifice assy., top burner, front, 9.5K, w/holder, tube
13 #	316489100	Tube, 3/8, aluminum, rgltr to manf, with fittings
14 #	316091706	Regulator, pressure
14*	316021104	Screw, hex, 8-18 x 3/8, nick, (3), regulator brkt
15	316091600	Bracket, regulator
16 #	316405500	Tube, valve to regul., 3/8
17 #	316404901	Valve, safety
17*	08068018	Shield, wire, safety valve
18 #	316404400	Burner, oven
19 #	316489400	Ignitor, oven burner
20	316401401	Baffle, oven burner
21	5303013272	Nut, hex head sems
22 #	316405401	Tube, valve to mixer
23 #	316404300	Burner, broiler
24 #	316409700	Elbow, mixer
25	316401301	Baffle, broil burner
26 #	316489401	Ignitor, burner
26*	316401500	Cover, broil Ignitor
37	316240600	Screw, assy mtg, ignitor/orifice
44C	316237902	Orifice, top burner, 9.5K
47	GRLP2	LP Conversion Kit, w/instructions
47*	316248105	Instructions, LP kit
* #	316253700	Wiring Harness, ignitor module
*	5303271648	Screw, wafer hd sq dr, 8-18AB x 0.5

BODY

POS. NO	PART NO.	DESCRIPTION
1	316401600	Back, main
2A	316489200	Shield, heat
2A*	316437100	Brace, oven top
3	316400116	Panel, bodyside, white, RH
3	316400117	Panel, bodyside, white, LH
4	316447000	Bracket, chassis support, rear
4A	316446900	Bracket, chassis, front, (2)
5	316272900	Screw, leveling, plastic, rear, (2)
5A	316498900	Leveling Leg Assy, metal, front, (2), bracket & leg
6	316496202	Rack, oven, (1)
8	316400603	Panel, oven bottom
9	316081900	Pan, broilerOPTIONAL ACCESSORY
10	316082000	Insert, broiler panOPTIONAL ACCESSORY
12	316445501	Switch, oven light, door frame
14	316116400	Receptacle, oven light
15	5303013071	Bulb/Lamp, light
16	08011086	Lens, oven light, glass
17	316087500	Retainer, lens
18 #	316405800	Latch Assembly, oven door
21	316408000	Clip, bodyside
25	316406200	Shield, heat, lower
29	316407301	Glide, drawer, front
30	316217700	Bracket, hinge, RH, main top
30A	316217701	Bracket, hinge, LH, main top
33	316405900	Shield, rear wall
35	316116600	Gasket, flue
36	316208901	Flue
37 #	316490000	Probe, oven temp
39	3202006	Cord, electric power
42	316400703	Shield, wool, lower
43	3131732	Screw, 8-18 x 1.438, oven bottom
44	316246501	Spacer, oven door
49	316234200	Clip, maintop mtg, (2)
54	316404200	Shield, heat
55	316404800	Shield, flue
58A	316489800	Insulation, oven wrapper
58B	316403600	Insulation, oven back
58G	08067973	Insulation, main front
82	316400801	Shield, bake burner
82*	316432800	Clip, wire
86	316441300	Receptacle, hinge
86*	316418901	Screw, trilobe, 10-32 x 5/16"
87	316401200	Bracket, harness
88	316232700	Rod, auto latch
89 #	316415400	Motor, latch/lock
90	316401100	Shield, main front
91	316401000	Shield, front, burner
151	316404600	Shield, bodyside
170	5303935180	Anti-tip Kit, w/bracket, screw
170*	316107200	Bracket, anti-tip
170*	316112500	Template, anti-tip
170*	316116000	Screw, concrete, 1.75", anti-tip brkt
* #	316416641	Harness, wiring, main
*	316021105	Screw, hex head cup pt, 8-18 x 0.375, black
*	316021108	Screw, cup pt, 8-18 x 0.375, chrome
*	316021110	Screw, 8-18 x 0.5, black
*	316089500	Screw, 10-16 x .486
*	5303271648	Screw, wafer hd sq dr, 8-18AB x 0.5
*	5303285179	Screw, wafer head, 8-32T x 0.500, black

TOP/DRAWER

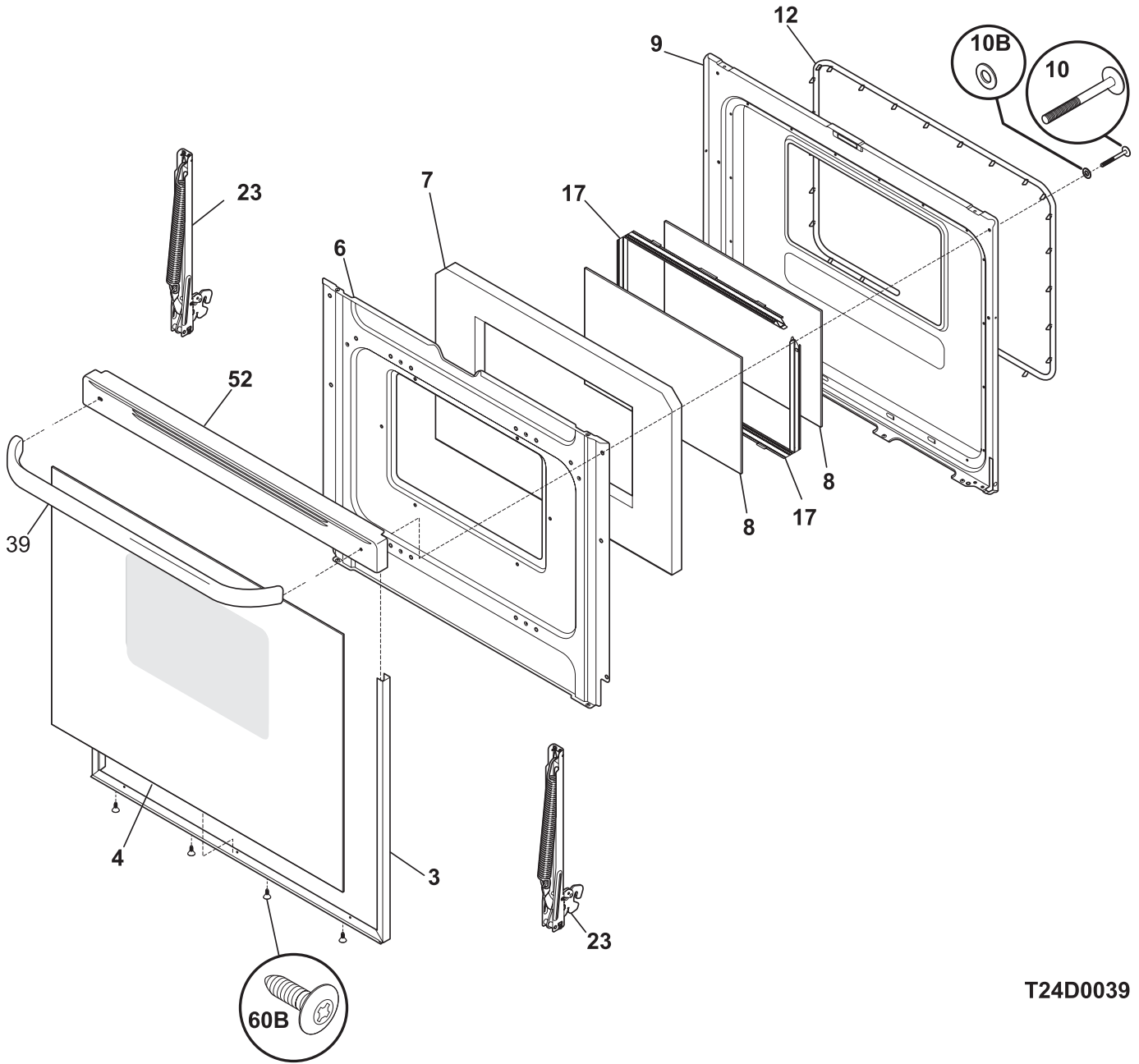


T24T0084

TOP/DRAWER

POS. NO	PART NO.	DESCRIPTION
1	316408703	Drawer, utility
2	316403200	Liner, drawer
4	316403401	Panel, drawer, white, front
7	316407400	Glide, drawer, rear
16	316202317	Main Top, white
20	316463200	Grate, gloss black, (4)
22C	316213500	Cap, 9.5K burner, black
88	316099500	Pin, guide, (2)
*	316021105	Screw, hex head cup pt, 8-18 x 0.375, black
*	316021108	Screw, cup pt, 8-18 x 0.375, chrome
*	316021109	Screw, 8-18 x 0.5, chrome
*	316021110	Screw, 8-18 x 0.5, black

DOOR



T24D0039

DOOR

POS. NO	PART NO.	DESCRIPTION
3	316402002	Trim, oven door, black
4	316402604	Glass, door, black
6	316402309	Shield, wool
7	316403901	Insulation, oven door
8	316427701	Glass, oven door, inner
9	316423803	Liner, oven door
10	316001009	Screw, waf hd sq, 10-24 x 1.88, (2), handle mtg
10B	316008401	Washer, 3/4 OD x 1/4 ID, steel
12	316403101	Seal, oven door
17	316408803	Spacer, door glass, (2)
23	316456301	Hinge, oven door, yellow titan, (2)
23*	316418900	Screw, sims lp, #8-32 x 5/16", black
39	316456900	Handle, oven door, black
52	316468401	Cap, door trim, black
60B	316021110	Screw, 8-18 x 0.5, black
*	316433603	Label, anti-tip
*	316021109	Screw, 8-18 x 0.5, chrome
*	5303271648	Screw, wafer hd sq dr, 8-18AB x 0.5
*	5303285179	Screw, wafer head, 8-32T x 0.500, black