

# 30" GAS SLIDE-IN RANGE INSTALLATION INSTRUCTIONS

(Models with Sealed Top Burners)

INSTALLATION AND SERVICE MUST BE PERFORMED BY A QUALIFIED INSTALLER.  
 IMPORTANT: SAVE FOR LOCAL ELECTRICAL INSPECTOR'S USE.  
 READ AND SAVE THESE INSTRUCTIONS FOR FUTURE REFERENCE.



Refer to your serial plate for applicable agency certification

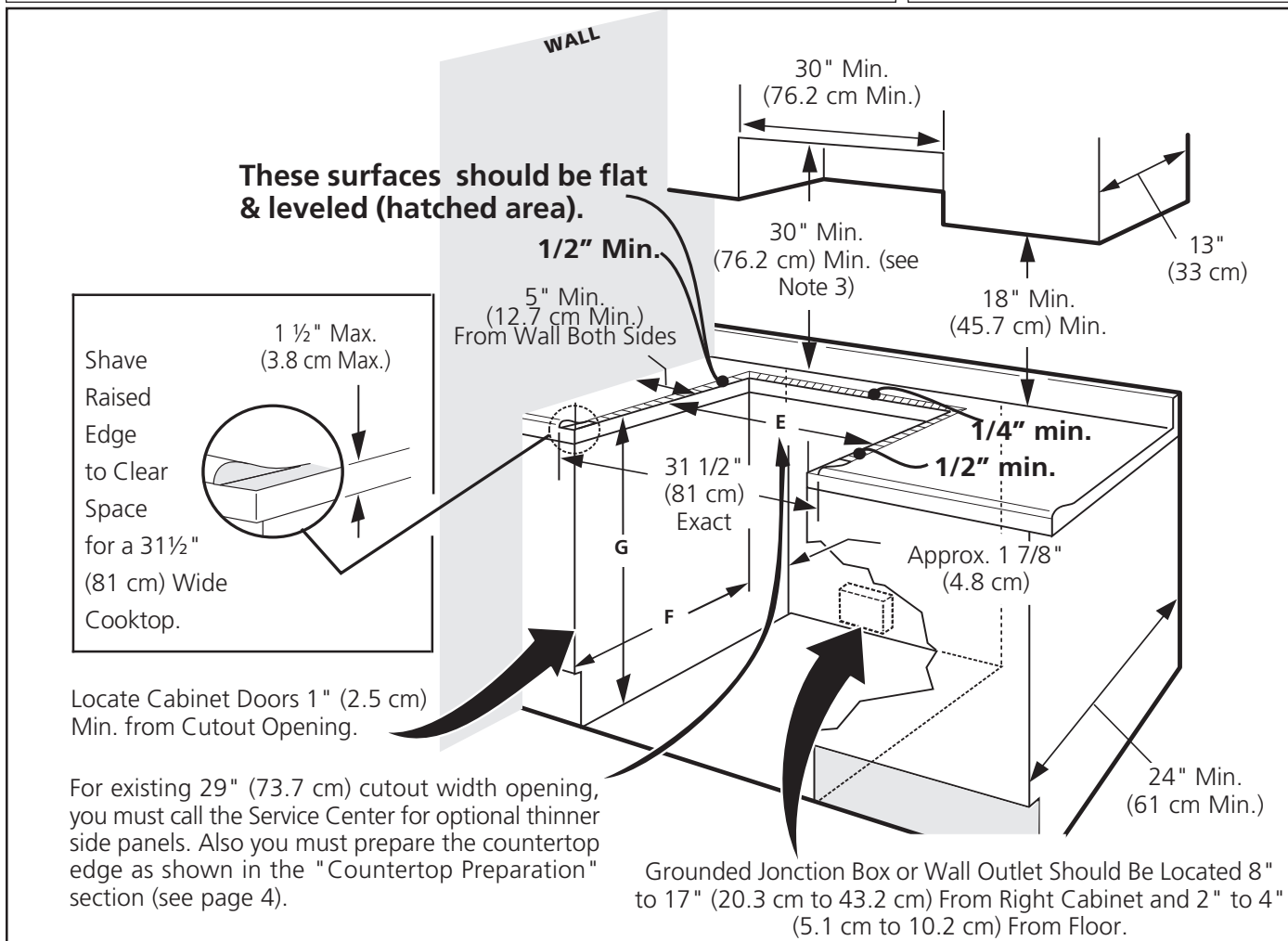
**⚠ WARNING** If the information in this manual is not followed exactly, a fire or explosion may result causing property damage, personal injury or death.

**FOR YOUR SAFETY:**

- Do not store or use gasoline or other flammable vapors and liquids in the vicinity of this or any other appliance.
- **WHAT TO DO IF YOU SMELL GAS:**
  - Do not try to light any appliance.
  - Do not touch any electrical switch; do not use any phone in your building.
  - Immediately call your gas supplier from a neighbor's phone. Follow the gas supplier's instructions.
  - If you cannot reach your gas supplier, call the fire department.
- Installation and service must be performed by a qualified installer, service agency or the gas supplier.

**Appliances Installed in the state of Massachusetts:**

This Appliance can only be installed in the state of Massachusetts by a Massachusetts licensed plumber or gasfitter.  
 This appliance must be installed with a three (3) foot / 36 in. long flexible gas connector.  
 A "T" handle type manual gas valve must be installed in the gas supply line to this appliance.



A. HEIGHT	B. WIDTH	C. COOKTOP WIDTH	D. DEPTH TO FRONT OF RANGE	E. CUTOUT WIDTH *** (Countertop and Cabinet)	F. CUTOUT DEPTH	G. HEIGHT OF COUNTERTOP
35 5/8" (90.5 cm) - 36 5/8" (93cm)	30" (76,2 cm)	31 1/2" (80 cm)	28 5/16" (71,9 cm)	30±1/16" (76,2±0,15 cm)	21 3/4" (55,2 cm) Min. 22 1/8" (56,2 cm) Max 24" (61 cm) Min. with backguard	36 5/8" (93 cm) Max. 35 5/8" (90.5 cm) Min.

**NOTE:** Wiring diagram for these appliances are enclosed in this booklet.

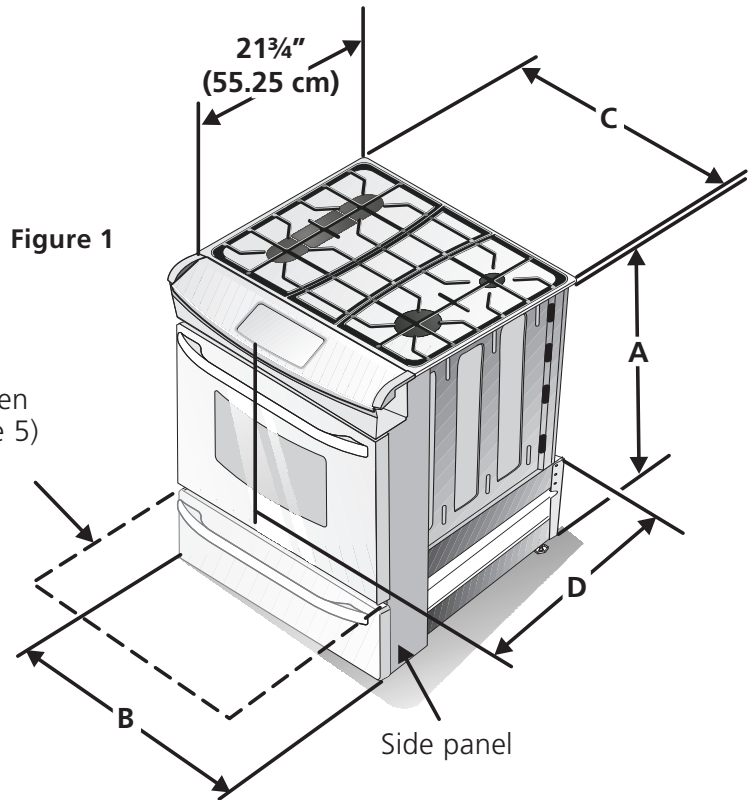
P/N 318201673 (0711) Rev. C

# 30" GAS SLIDE-IN RANGE INSTALLATION INSTRUCTIONS

(Models with Sealed Top Burners)

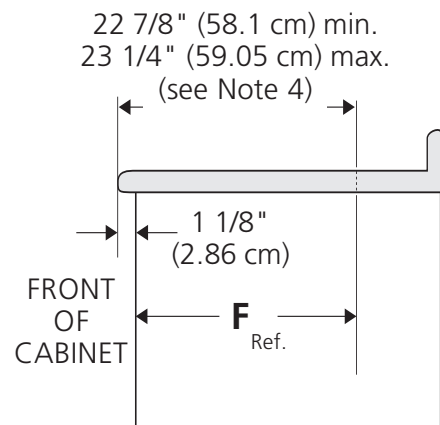
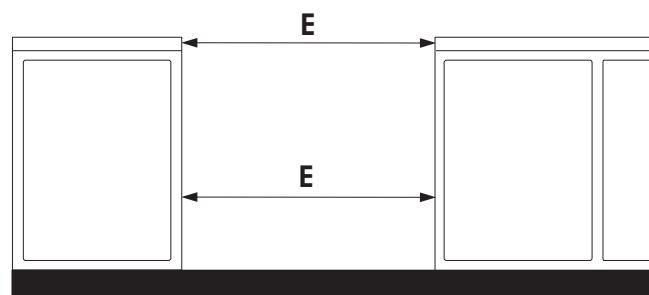
## NOTE:

1. Do not pinch the power supply cord or the flexible gas conduit between the range and the wall.
2. Do not seal the range to the side cabinets.
3. 24" (61 cm) minimum clearance between the cooktop and the bottom of the cabinet when the bottom of wood or metal cabinet is protected by not less than ¼" (0.64 cm) flame retardant millboard covered with not less than No. 28 MSG sheet metal, 0.015" (0.4 mm) stainless steel, 0.024" (0.6 mm) aluminum, or 0.020" (0.5 mm) copper. 30" (76.2 cm) minimum clearance when the cabinet is unprotected.
4. For cutouts below 22 7/8" (58.1 cm), appliance will slightly show out of the cabinet.
5. Allow at least 19 ¼" (48.9 cm) clearance for door depth when it is open.



**\*IMPORTANT:** To avoid cooktop glass breakage for cutout width (E dimension) of more than 30<sup>1</sup>/<sub>16</sub>" (76.4 cm), make sure the appliance is centered in the counter opening while pushing into it. Raise leveling legs at maximum position, insert the appliance in the counter and then level. Make sure the unit is supported by the leveling legs not by the cooktop glass itself.

## IMPORTANT: Cabinet and countertop width should match the cutout width.



A. HEIGHT	B. WIDTH	C. COOKTOP WIDTH	D. DEPTH TO FRONT OF RANGE	E. CUTOUT WIDTH *** (Countertop and Cabinet)	F. CUTOUT DEPTH	G. HEIGHT OF COUNTERTOP
35 5/8" (90.5 cm) - 36 5/8" (93cm)	30" (76,2 cm)	31½" (80 cm)	28 5/16" (71,9 cm)	30±1/16" (76,2±0,15 cm)	21 3/4" (55,2 cm) Min. 22 1/8" (56,2 cm) Max 24" (61 cm) Min. with backguard	36 5/8" (93 cm) Max. 35 5/8" (90.5 cm) Min.

# 30" GAS SLIDE-IN RANGE INSTALLATION INSTRUCTIONS

(Models with Sealed Top Burners)

## Important Notes to the Installer

1. Read all instructions contained in these installation instructions before installing range.
2. Remove all packing material from the oven compartments before connecting the gas and electrical supply to the range.
3. Observe all governing codes and ordinances.
4. Be sure to leave these instructions with the consumer.
5. Note: For operation at 2000 ft. elevations above sea level, appliance rating shall be reduced by 4 percent for each additional 1000 ft.

## Important Note to the Consumer

Keep these instructions with your Use & Care Guide for future reference.

# IMPORTANT SAFETY INSTRUCTIONS

Installation of this range must conform with local codes or, in the absence of local codes, with the National Fuel Gas Code ANSI Z223.1/NFPA 54-latest edition.

This range has been design certified by CSA International. As with any appliance using gas and generating heat, there are certain safety precautions you should follow. You will find them in the Use and Care Guide, read it carefully.

- **Be sure your range is installed and grounded properly by a qualified installer or service technician.**
- **This range must be electrically grounded in accordance with local codes or, in their absence, with the National Electrical Code ANSI/NFPA No. 70—latest edition.** See Grounding Instructions.
- **Before installing the range in an area covered with linoleum or any other synthetic floor covering, make sure the floor covering can withstand heat at least 90°F above room temperature without shrinking, warping or discoloring.** Do not install the

range over carpeting unless you place an insulating pad or sheet of ¼" (10,16 cm) thick plywood between the range and carpeting.

- **Make sure the wall coverings around the range can withstand the heat generated by the range.**
- **Do not obstruct the flow of combustion air at the oven vent nor around the base or beneath the lower front panel of the range.** Avoid touching the vent openings or nearby surfaces as they may become hot while the oven is in operation. This range requires fresh air for proper burner combustion.


**⚠ WARNING** Never leave children alone or unattended in the area where an appliance is in use. As children grow, teach them the proper, safe use of all appliances. Never leave the oven door open when the range is unattended.

**⚠ WARNING** Stepping, leaning or sitting on the doors or drawers of this range can result in serious injuries and can also cause damage to the range.

- **Do not store items of interest to children in the cabinets above the range.** Children could be seriously burned climbing on the range to reach items.
- **To eliminate the need to reach over the surface burners, cabinet storage space above the burners should be avoided.**
- **Adjust surface burner flame size so it does not extend beyond the edge of the cooking utensil.** Excessive flame is hazardous.
- **Do not use the oven as a storage space.** This creates a potentially hazardous situation.
- **Never use your range for warming or heating the room.** Prolonged use of the range without adequate ventilation can be dangerous.
- **Do not store or use gasoline or other flammable vapors and liquids near this or any other appliance.** Explosions or fires could result.
- In the event of an electrical power outage, the surface burners can be lit manually. To light a surface burner, hold a lit match to the burner head and slowly turn the Surface Control knob to LITE. Use caution when lighting surface burners manually.
- **Reset all controls to the "off" position after using a programmable timing operation.**

## FOR MODELS WITH SELF-CLEAN FEATURE:

- **Remove broiler pan, food and other utensils before self-cleaning the oven.** Wipe up excess spillage. Follow the precleaning instructions in the Use and Care Guide.
- **Unlike the standard gas range, THIS COOKTOP IS NOT REMOVABLE.** Do not attempt to remove the cooktop.

	<b>⚠ WARNING</b>	<b>⚠ WARNING</b> To
	<ul style="list-style-type: none"><li>• All ranges can tip.</li><li>• Injury to persons could result.</li><li>• Install anti-tip device packed with range.</li></ul>	reduce the risk of tipping of the range, the range must be secured by properly installed anti-tip bracket provided with the range. To check if the bracket is installed properly, grasp the top rear edge of the range and carefully tilt it forward to make sure the range is anchored.

# 30" GAS SLIDE-IN RANGE INSTALLATION INSTRUCTIONS

(Models with Sealed Top Burners)

## 1. Cabinet Construction

**CAUTION** To eliminate the risk of cabinet burns and fire, do not have cabinet storage space above the range. If there is cabinet storage space above range, reduce risk by installing a range hood that projects horizontally a minimum of 5" (12.7 cm) beyond the bottom of the cabinet.

### Countertop Preparation

- The cooktop sides of the range fit over the cutout edge of your countertop.
- If you have a **square finish (flat) countertop**, no countertop preparation is required. Cooktop sides lay directly on edge of countertop.
- **Formed front-edged countertops** must have molded edge shaved flat  $\frac{3}{4}$ " (1.9 cm) from each front corner of opening (Figure 2).
- **Tile countertops** may need trim cut back  $\frac{3}{4}$ " (1.9 cm) from each front corner and/or rounded edge flattened (Figure 2).

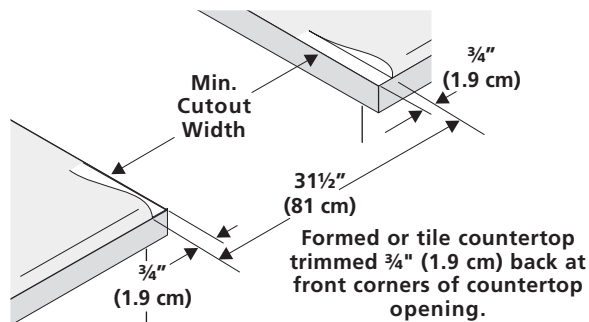


Figure 2

- If the existing cutout width is greater than **30-1/16" (76,4 cm)**, reduce the  $\frac{3}{4}$ " (1.9 cm) dimension.
- **Countertop must be level.** Place a level on the countertop, first side to side, then front to back. If the countertop is not level, the range will not be level. The oven must be level for satisfactory baking results. Cooktop sides of range fit over edges of countertop opening.

- For existing cutout width of **29" (73.7 cm)** (Figure 3):

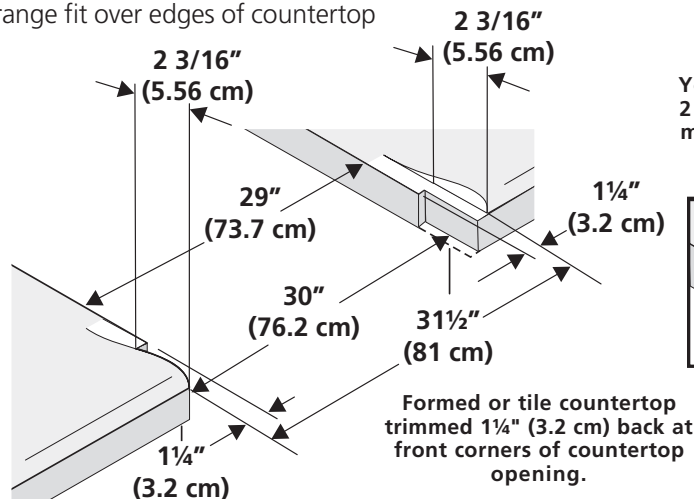


Figure 3

## 2. Provide an adequate Gas Supply

When shipped from the factory, this unit is designed to operate on 4" (10,16 cm) water column (1.0 kPa) Natural gas manifold pressure. A convertible pressure regulator is connected to the range manifold and **MUST** be connected in series with the gas supply line. If LP/Propane conversion kit has been used, follow instructions provided with the kit for converting the pressure regulator to LP/Propane use.

Care must be taken during installation of range not to obstruct the flow of combustion and ventilation air.

*For proper operation*, the maximum inlet pressure to the regulator should be no more than 14" (35,56 cm) of water column pressure (3.5 kPa). The inlet pressure to the regulator must be at least 1" (.25 kPa) greater than the regulator manifold pressure setting. Examples: If regulator is set for natural gas 4" (10,16 cm) manifold pressure, inlet pressure must be at least 5" (12.60 cm); if regulator has been converted for LP/Propane gas 10" (25,4 cm) manifold pressure, inlet pressure must be at least 11" (27,9 cm).

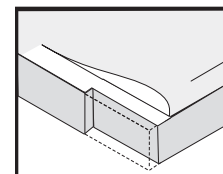
Leak testing of the appliance shall be conducted according to the instructions in step 4.

The gas supply line should be  $\frac{1}{2}$ " or  $\frac{3}{4}$ " I.D. (Interior Diameter)

## 3. Seal the openings

Seal any openings in the wall behind the range and in the floor under the range after gas supply line is installed.

You must also clear **2 3/16" (5.56 cm)** of material from front of countertop.



# 30" GAS SLIDE-IN RANGE INSTALLATION INSTRUCTIONS

(Models with Sealed Top Burners)

## 4. Connect the range to the gas supply

**Important:** Remove all packing material and literature from range before connecting gas and electrical supply.

To prevent leaks, put pipe joint sealant on all external pipe threads.

Your regulator is in location shown below.

**CAUTION** Do not allow regulator to rotate on pipe when tightening fittings.

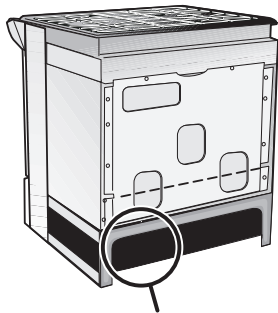


Figure 4

PRESSURE REGULATOR LOCATION

### Connection to Pressure Regulator

The regulator is already installed on the appliance.

**WARNING** Do not make the connection too tight.

The regulator is die cast. Overtightening may crack the regulator resulting in a gas leak and possible fire or explosion.

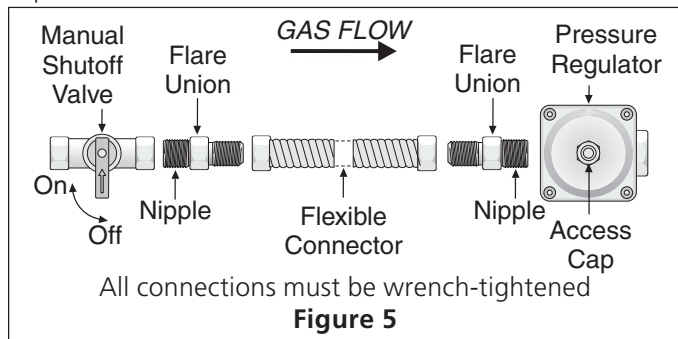


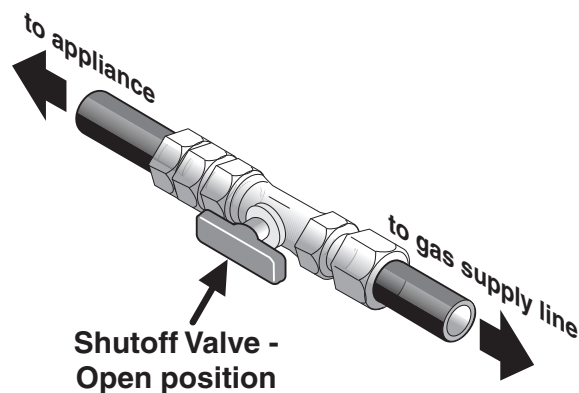
Figure 5

Assemble the flexible connector from the gas supply pipe to the pressure regulator in the following order:

1. manual shutoff valve (not included)
2. 1/2" nipple (not included)
3. 1/2" flare union adapter (not included)
4. flexible connector (not included)
5. 1/2" flare union adapter (not included)
6. 1/2" nipple (not included)
7. pressure regulator (included)

Use pipe-joint compound made for use with Natural and LP/Propane gas to seal all gas connections. If flexible connectors are used, be certain connectors are not kinked.

The supply line must be equipped with an approved manual shutoff valve. This valve should be located in the same room as the range and should be in a location that allows ease of opening and closing. Do not block access to the shutoff valve. The valve is for turning on or shutting off gas to the appliance.



Shutoff Valve - Open position

Figure 6

Once regulator is in place, open the shutoff valve in the gas supply line. Wait a few minutes for gas to move through the gas line.

**Check for leaks.** After connecting the range to the gas supply, check the system for leaks with a manometer. If a manometer is not available, turn on the gas supply and use a liquid leak detector (or soap and water) at all joints and connections to check for leaks.

**WARNING** Do not use a flame to check for leaks from gas connections. Checking for leaks with a flame may result in a fire or explosion.

**Tighten all connections** as necessary to prevent gas leakage in the range or supply line.

**Isolate the range from the gas supply piping system** by closing its individual manual shutoff valve during any pressure testing of the gas supply piping system at test pressures equal to or less than 1/2 psig (3.5 kPa or 14" water column).

## 5. LP/Propane Gas Conversion

This appliance can be used with Natural gas or LP/Propane gas. It is shipped from the factory for use with natural gas.

If you wish to convert your range for use with LP/Propane gas, use the supplied fixed orifices located in a bag containing the literature marked "FOR LP/PROPANE GAS CONVERSION." Follow the instructions packaged with the orifices for surface, oven and broil burners conversion.

The conversion must be performed by a qualified service technician in accordance with the manufacturer's instructions and all local codes and requirements. Failure to follow these instructions could result in serious injury or property damage. The qualified agency performing this work assumes responsibility for the conversion.

**WARNING** Failure to make the appropriate conversion can result in serious personal injury and property damage.



# 30" GAS SLIDE-IN RANGE INSTALLATION INSTRUCTIONS

(Models with Sealed Top Burners)

## 6. Electrical Requirements

120 volt, 60 Hertz, properly grounded dedicated circuit protected by a 15 amp circuit breaker or time delay fuse.

**Note:** Not recommended to be installed with a Ground Fault Interrupter (GFI).

**Do not use an extension cord with this range.**

### Grounding Instructions

**IMPORTANT** Please read carefully.

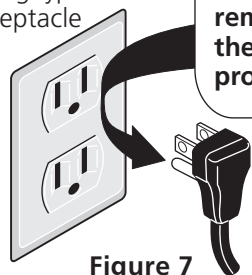
**For personal safety, this appliance must be properly grounded.**

The power cord of this appliance is equipped with a 3-prong (grounding) plug which mates with a standard 3-prong grounding wall receptacle (see Figure 7) to minimize the possibility of electric shock hazard from the appliance.

The wall receptacle and circuit should be checked by a qualified electrician to make sure the receptacle is properly grounded.

#### Preferred Method

Grounding type wall receptacle



**Figure 7** Power supply cord with 3-prong grounding plug.

Where a standard 2-prong wall receptacle is installed, it is the personal responsibility and obligation of the consumer to have it replaced by a properly grounded 3-prong wall receptacle.

**Do not, under any circumstances, cut or remove the third (ground) prong from the power cord.**

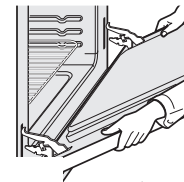
**⚠ WARNING** Disconnect electrical supply cord from wall receptacle before servicing cooktop.

## 7. Moving the Appliance for Servicing and Cleaning

Turn off the range line fuse or circuit breakers at the main power source, and turn off the manual gas shut-off valve. Make sure the range is cold. Remove the service drawer (warmer drawer on some models) and open the oven door. Lift the range at the front and slide it out of the cut-out opening without creating undue strain on the flexible gas conduit. Make sure not to pinch the flexible gas conduit at the back of the range when replacing the unit into the cut-out opening. Replace the drawer, close the door and switch on the electrical power and gas to the range.

## 8. Range Installation

**Important Note:** Door removal is not a requirement for installation of the range, but is an added convenience. Refer to the Use and Care Guide for oven door removal instructions.



### Standard Installation

1. The range cooktop (or cooktop glass) overlaps the countertop at the sides and the range rests on the floor. The cooktop (or cooktop glass) is 31½" (81 cm) wide.
2. Install base cabinets 30" (76.2 cm) apart. Make sure they are plumb and level before attaching cooktop. Shave raised countertop edge to clear 31½" (81 cm) wide range top rim.
3. Install cabinet doors 31" (78.7 cm) min. apart so they will not interfere with range door opening.
4. Cutout countertop exactly as shown on page 1.
5. A backguard kit can be ordered through Service Center.
6. To provide an optimum installation, the top surface of the countertop must be level and flat (lie on the same plane) around the 3 sides that are adjacent to range cooktop. Proper adjustments to make the top flat should be made or gaps between the countertop and the range cooktop (or cooktop glass) may occur.
7. **⚠ CAUTION** To reduce the risk of damaging your appliance, do not handle or manipulate it by the cooktop. Manipulate with care.
8. Position range in front of the cabinet opening.
9. Make sure that the cooktop (or cooktop glass) which overhangs the countertop clears the countertop. If necessary, raise the unit by lowering the leveling legs.
10. **Level the range** (see section 9). The floor where the range is to be installed must be level. Follow the instructions under "Leveling the Range-Models Equipped with Leveling Legs".
11. Adjust leveling legs so that the underside of the cooktop (or cooktop glass) is sitting on the countertop.
12. Carefully screw in the back leveling leg until the cooktop (or cooktop glass) overhang touches slightly the countertop. The cooktop must not support the unit.
13. Slide the range into the cutout opening.
14. Then carefully screw in the front two leveling legs (similar to 12) until the cooktop (or cooktop glass) overhang touches slightly the countertop.
15. If the range is not level, pull unit out and readjust leveling legs, or make sure floor is level.

### Installation For 29" Existing Cutout Width Opening

1. You must replace the original side panels with new and thinner side panels. These new side panels can be ordered through a Service Center.
2. Follow instructions supplied with your new side panels to replace the original side panels with the new ones.

# 30" GAS SLIDE-IN RANGE INSTALLATION INSTRUCTIONS

(Models with Sealed Top Burners)

3. Check if the countertop is prepared for 29" cutout wide opening at page 3.
4. Install range as in the "Standard Installation" section above.

## Installation With Backguard

A backguard kit can be ordered through a Service Center.

The cutout depth (21 3/4" (55.2 cm) Min., 22 1/8" (56.2 cm) Max.) needs to be increased to 24" (61 cm) when installing a backguard

## Installation With End Panel

An end panel kit can be ordered through a Service Center.

## Installation With Side Panel

A side panels kit can be ordered through a Service Center. Install cabinet doors 31" (78.7 cm) min. apart so as not to interfere with range door opening.

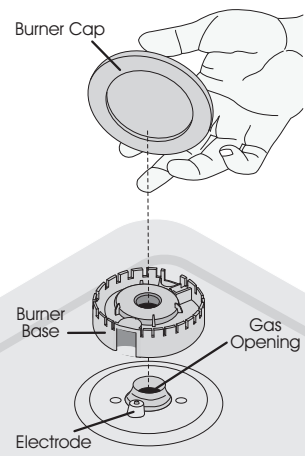


Figure 9

**NOTE:** There are no burner adjustments necessary on this range.

## 9. Leveling the Range

**Level the range and set cooktop height before installation in the cut-out opening.**

1. Install an oven rack in the center of the oven.
2. Place a level on the rack (see Figure 8). Take 2 readings with the level placed diagonally in one direction and then the other. Level the range, if necessary, by adjusting the 4 leg levelers with a wrench (see Figure 14).
3. Taking care to not damage the countertop, slide range into cutout opening and double check for levelness.

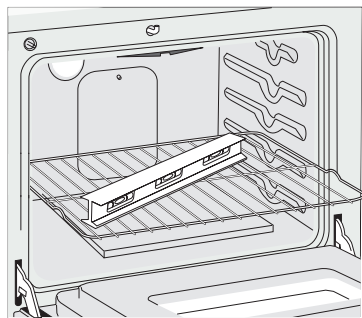


Figure 8

## 10. Check Operation

Refer to the Use and Care Guide packaged with the range for operating instructions and for care and cleaning of your range.

Remove all packaging from the oven before testing.

### 10.1 Install Burner Bases and Burner Caps This range is equipped with sealed burners as shown (see Figure 9).

- a. Unpack burner bases and burner caps.
- b. Place burner bases over each gas opening.
- c. Make sure the burner is properly aligned and leveled. Place burner caps over appropriate burner bases.

## 10.2 Turn on Electrical Power and Open Main Shutoff Gas Valve

### 10.3 Check the Igniters

Operation of electric igniters should be checked after range and supply line connectors have been carefully checked for leaks, and range has been connected to electric power. To check for proper lighting:

- a. Push in and turn a surface burner knob to the LITE position. You will hear the igniter sparking.
- b. The surface burner should light when gas is available to the top burner. Each burner should light within four (4) seconds after air has been purged from supply lines. Visually check that burner has lit.
- c. Once the burner lights, the control knob should be rotated out of the LITE position.

There are separate ignition devices for each burner. Try each knob separately until all burner valves have been checked.

### 10.4 Adjust the "LOW" Setting of Surface Burner Valves (see Figure 10)

- a. Push in and turn each control to LITE until burner ignites.
- b. Quickly turn knob to LOWEST POSITION.
- c. If burner goes out, readjust valve as follows:  
Reset control to OFF. Remove the surface burner control knob, insert a thin-bladed screw driver into the hollow valve stem and engage the slotted screw inside. Flame size can be increased or decreased with the turn of the screw. Adjust flame until you can quickly turn knob from LITE to LOWEST POSITION without extinguishing the flame. Flame should be as small as possible without going out.

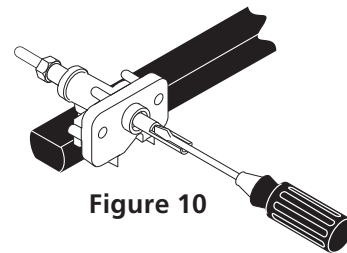


Figure 10

# 30" GAS SLIDE-IN RANGE INSTALLATION INSTRUCTIONS

(Models with Sealed Top Burners)

## 10.5 Operation of Oven Burners and Oven Adjustments

### 10.5.1 Electric Ignition Burners

Operation of electric igniters should be checked after range and supply line connectors have been carefully checked for leaks, and range has been connected to electric power.

The oven burner is equipped with an electric control system as well as an electric oven burner igniter. If your model is equipped with a waist-high broil burner igniter, it will also have an electric burner igniter. These control systems require no adjustment. When the oven is set to operate, current will flow to the igniter. It will "glow" similar to a light bulb. When the igniter has reached a temperature sufficient to ignite gas, the electrically controlled oven valve will open and flame will appear at the oven burner. There is a time lapse from 30 to 60 seconds after thermostat is turned ON before the flame appears at the oven burner. When the oven reaches the display setting, the glowing igniter will go off. The burner flame will go "out" in 20 to 30 seconds after igniter goes "OFF". To maintain any given oven temperature, this cycle will continue as long as the display is set to operate.

After removing all packing materials and literature from the oven:

- Set the oven to BAKE at 300°F. See Use & Care Guide for operating instructions.
- Within 60 seconds the oven burner should ignite. Check for proper flame, and allow the burner to cycle once. Reset controls to off.
- If your model is equipped with a high-waist broiler, set oven to broil. See Use & Care Guide for operating instructions.
- Within 60 seconds the broil burner should ignite. Check for proper flame. Reset controls to off.

### 10.5.2 Air Shutter-Oven Burner

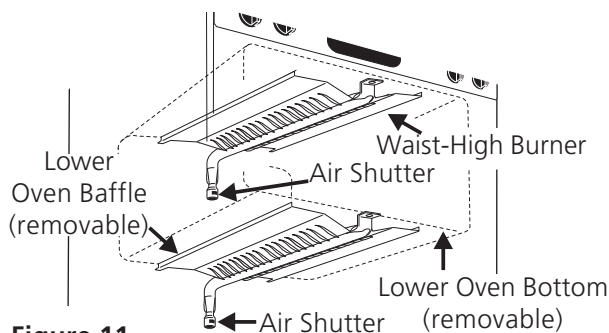


Figure 11

The approximate oven burner flame length is 1 inch (distinct inner cone of blue flame).

To determine if the oven burner flame is proper, remove the oven bottom and burner baffle and set the oven to bake at 300°F.

To remove the oven bottom, remove oven hold down screws at rear of oven bottom. Pull up at rear,

disengage front of oven bottom from oven front frame, and pull the oven bottom out of the oven. Remove burner baffle so that burner flame can be observed.

If the flame is yellow, increase air shutter opening size (see "2" in Figure 12). If the entire flame is blue, reduce the air shutter opening size.

To adjust frame loosen lock screw (see "3" in Figure 12), reposition air shutter, and tighten lock screw. Replace oven bottom.

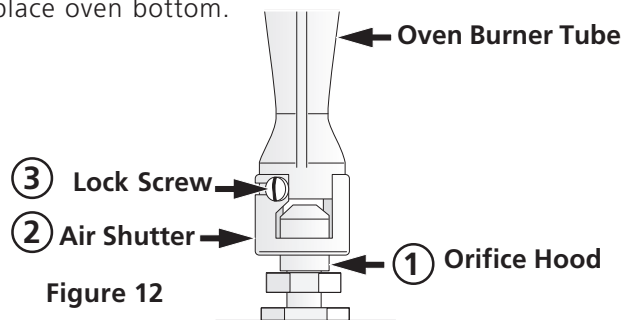


Figure 12

### 10.5.3 Air Shutter-Broil Burner

The approximate flame length of the burner is 1 inch (distinct inner cone of blue flame). To determine if the broil burner flame is proper, set the oven to broil. If flame is yellow, increase air shutter opening size (see "2" in Figure 12). If the entire flame is blue, reduce the air shutter opening size. To adjust, loosen lock screw (see "3" in Figure 12), reposition air shutter, and tighten lock screw.

## When All Hookups are Complete

Make sure all controls are left in the OFF position.

Make sure the flow of combustion and ventilation air to the range is unobstructed.

## Model and Serial Number Location

The serial plate is located on the oven front frame behind the oven door (some models) or on the drawer side frame (some models).

When ordering parts for or making inquiries about your range, always be sure to include the model and serial numbers and a lot number or letter from the serial plate on your range.

Your serial plate also tells you the rating of the burners, the type of fuel and the pressure the range was adjusted for when it left the factory.

## Before You Call for Service

Read the Before You Call Checklist and operating instructions in your Use and Care Guide. It may save you time and expense. The list includes common occurrences that are not the result of defective workmanship or materials in this appliance.

Refer to your Use & Care Guide for service phone numbers.



# 30" GAS SLIDE-IN RANGE INSTALLATION INSTRUCTIONS

(Models with Sealed Top Burners)

## 11. Anti-Tip Brackets Installation Instructions

**⚠ WARNING** To reduce the risk of tipping of the range, the range must be secured to the floor by properly installed anti-tip brackets and screws packed with the range. These parts are located in a plastic bag in the oven. Failure to install the anti-tip brackets will allow the range to tip over if excessive weight is placed on an open door or if a child climbs upon it. Serious injury might result from spilled hot liquids or from the range itself.

Follow the instructions below to install the anti-tip brackets.

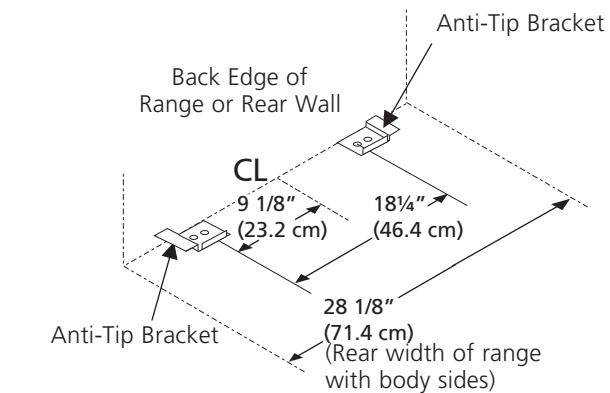
If range is ever moved to a different location, the anti-tip brackets must also be moved and installed with the range. To check for proper installation, see step 5.

### Tools Required:

5/16" (0,79 cm) Nutdriver or Flat Head Screwdriver  
Adjustable Wrench  
Electric Drill  
3/16" (0,5 cm) Diameter Drill Bit  
3/16" (0,5 cm) Diameter Masonry Drill Bit (if installing in concrete)

Brackets attach to the floor at the back of the range to hold both rear leg levelers. When fastening to the floor, be sure that screws do not penetrate electrical wiring or plumbing. The screws provided will work in either wood or concrete.

1. Unfold paper template and place it flat on the floor with the back and side edges positioned exactly where the back and sides of range will be located when installed. (Use the diagram below to locate brackets if template is not available. (Figure 13))
2. Mark on the floor the location of the 4 mounting holes shown on the template. For easier installation, 3/16" (0.5 cm) diameter pilot holes 1/2" (1.3 cm) deep can be drilled into the floor.
3. Remove template and place brackets on floor with turned up flange to the front. Line up holes in brackets with marks on floor and attach with 4 screws provided. Brackets must be secured to solid floor. If attaching to concrete floor, first drill 3/16" (0.5 cm) dia. pilot holes using a masonry drill bit.
4. Level range if necessary, by adjusting 4 leg levelers with wrench (Figure 14). A minimum clearance of 1/8" (0.8 cm) is required between the bottom of the range and the rear leg levelers to allow room for the anti-tip brackets.
5. Slide range into place making sure rear legs are trapped by ends of brackets. Range may need to be shifted slightly to one side as it is being pushed back to allow rear legs to slide under brackets. You may also grasp the top rear edge of the range and carefully attempt to tilt it forward to make sure range is properly anchored.



(CL = Center line)

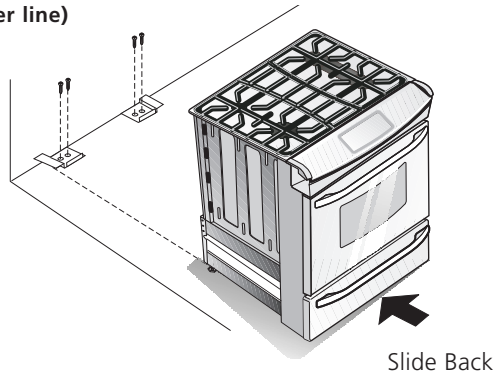


Figure 13

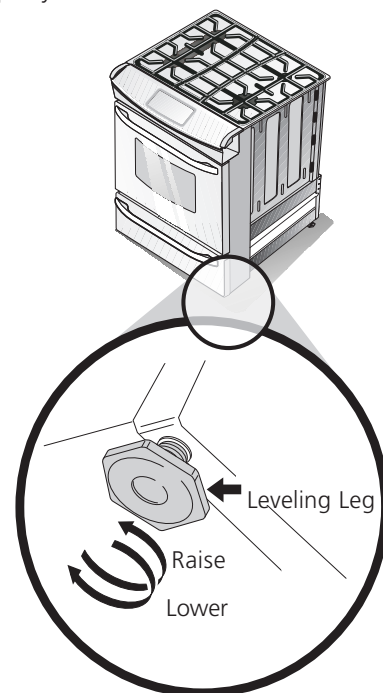


Figure 14

# INSTRUCCIONES DE INSTALACION DE COCINAS DE GAS DE 30"

(Modelos con quemadores sellados)

LA INSTALACION Y EL SERVICIO DEBEN SER EFECTUADOS POR UN INSTALADOR CALIFICADO.  
**IMPORTANTE: GUARDE ESTAS INSTRUCCIONES PARA USO DEL INSPECTOR LOCAL DE ELECTRICIDAD.**  
 LEA Y GUARDE ESTAS INSTRUCCIONES PARA REFERENCIA FUTURA.



**⚠️ ADVERTENCIA** Si la información contenida en este manual no es seguida exactamente, puede ocurrir un incendio o explosión causando daños materiales, lesión personal o la muerte.

**PARA SU SEGURIDAD:**

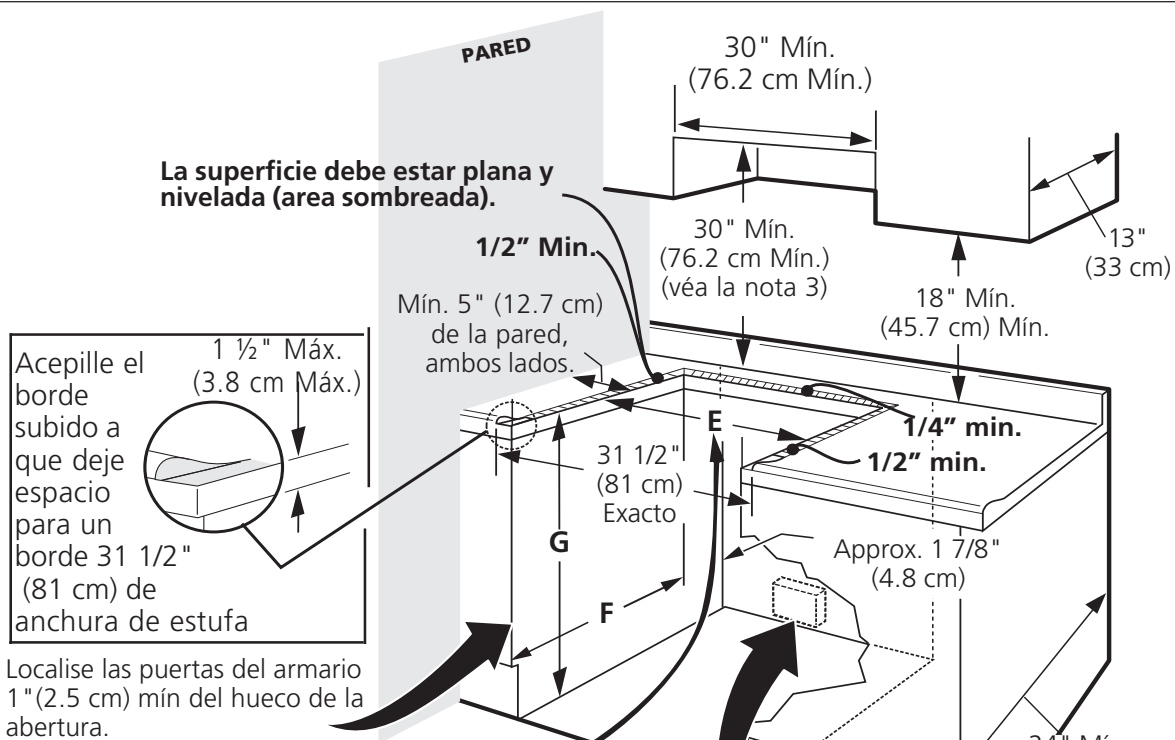
- No almacene ni utilice gasolina u otros vapores y líquidos inflamables en la proximidad de éste o de cualquier otro artefacto.
- **QUE DEBE HACER SI PERCIBE OLOR A GAS:**
  - No trate de encender ningún artefacto.
  - No toque ningún interruptor eléctrico; no use ningún teléfono en su edificio.
  - Llame a su proveedor de gas desde el teléfono de un vecino. Siga las instrucciones del proveedor de gas.
  - Si no logra comunicarse con su proveedor de gas, llame al departamento de bomberos.
- La instalación y el servicio de mantenimiento deben ser efectuados por un instalador calificado, la agencia de servicio o el proveedor de gas.

**Aparatos Instalados en el estado de Massachusetts;**

Este Aparato sólo puede ser instalado en el estado de Massachusetts por un plomero o ajustador de gas licenciado de Massachusetts.

Este aparato se debe instalar con un largo conector flexible de gas de tres (3) pies/36 pulgadas.

Una válvula manual de gas de tipo manija de forma de "T" se debe instalar en la línea del suministro de gas de este aparato.



Localice las puertas del armario 1" (2.5 cm) mín del hueco de la abertura.

NOTA: Para la abertura amplia de corte de 29" (73,7 cm), tiene que llamar al Centro de Servicios y solicitar paneles laterales opcionales. Despejar el reborde ancho de la cocina tal como se muestra en la sección "Preparación de la Mesada" (ver página 13).

La caja de empalmes o el enchufe con puesta a tierra debería situarse de 8" a 17" (20.3 cm a 43.2 cm) del armario derecho y de 2" a 4" (5.1 cm a 10.2 cm) del suelo.

A. ALTURA	B. ANCHURA	C. ANCHURA DE LA PLANCHA DE COCINAR	D. PROFUNDIDAD A LA FRENTE DE LA ESTUFA	E. ANCHURA DE RECORTADO*** (encima y armario)	F. PROFUNDIDAD DE RECORTADO	G. ALTURA DEL MOSTRADOR
35 5/8" (90.5 cm) - 36 5/8" (93 cm)	30" (76,2 cm)	31 1/2" (80 cm)	28 5/16" (71,9 cm)	30±1/16" (76,2±0,15 cm)	21 3/4" (55,2 cm) Min. 22 1/8" (56,2 cm) Max 24" (61 cm) Min. con un protector trasero.	36 5/8" (93 cm) Max. 35 5/8" (90.5 cm) min.

**NOTA: Se adjunta el diagrama de cables de esta cocina al final de este libreta.**

Imprimido en los Estados Unidos

P/N 318201673 (0711) Rev. C

English – pages 1-9

Español – páginas 10-18

Français -pages 19-28

Diagrama de la instalación alámbrica - páginas 30-32

# INSTRUCCIONES DE INSTALACION DE COCINAS DE GAS DE 30"

(Modelos con quemadores sellados)

## NOTAS:

1. No pellizque el cordón eléctrico o el conducto flexible de gas entre la estufa y la pared.
2. No selle la estufa a los armarios de lado.
3. Un espacio mínimo de 24" (61 cm) entre la superficie de la estufa y el fondo del armario cuando el fondo del armario de madera o metal está protegido por no menos de 1/4" (0.64 cm) de madera resistente al fuego cubierta por una lámina metálica de MSG, número 28, 0.015" (0.4 mm) de acero inoxidable, 0.024" (0.6 mm) de aluminio, ó 0.02" (0.5 mm) de cobre.  
Un espacio mínimo de 30" (76.2 cm) cuando el armario no está protegido.
4. Para los recortados menos que 22 7/8", el electrodoméstico aparecería ligeramente en el exterior del armario.
5. Deje por los 19 1/4" (48.9 cm) de espacio libre para la profundidad de la puerta cuando esta abierta.

Puerta abierta (vea la nota 5)

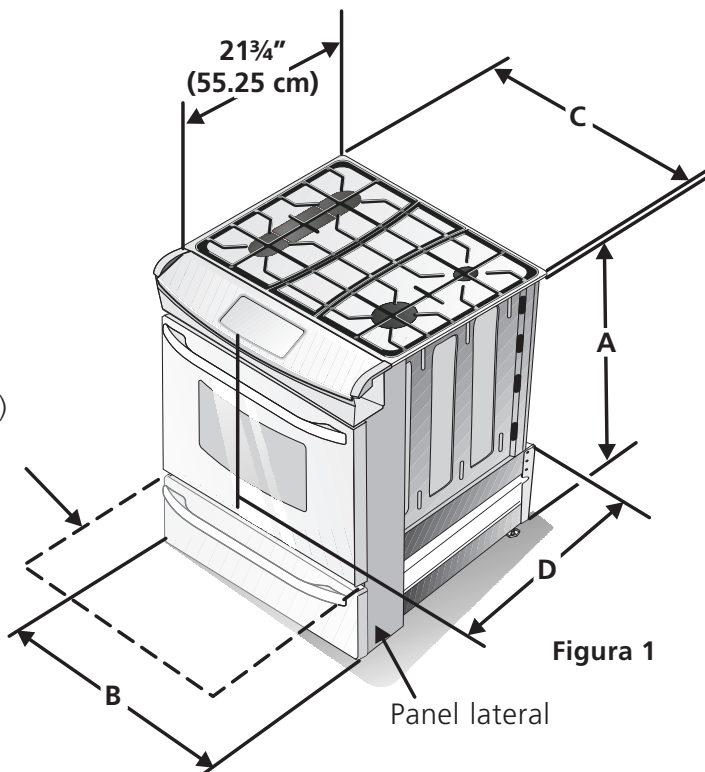
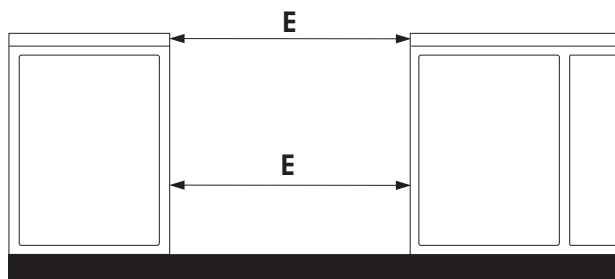


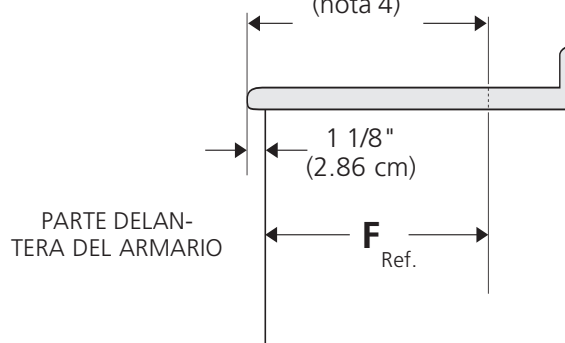
Figura 1

**\*IMPORTANTE:** Para el corte a lo ancho (dimensión E) de más de 30 1/16" (76,4 cm) para evitar que se rompa el vidrio, asegúrese que el artefacto esté centrado en la abertura de la mesada mientras lo presiona. Levante las patas de nivelación hasta la posición máxima; inserte el artefacto en la mesada y luego nivele. Asegúrese de que la unidad esté apoyada en las patas de nivelación y no en el vidrio liso.

**IMPORTANTE:** El ancho de la cubierta y el armario debe de ser igual al ancho del corte.



22 7/8" (58.1 cm) min.  
23 1/4" (59.05 cm) max.  
(nota 4)



A. ALTURA	B. ANCHURA	C. ANCHURA DE LA PLANCHA DE COCINAR	D. PROFUNDIDAD A LA FRENTE DE LA ESTUFA	E. ANCHURA DE RECORTADO*** (encima y armario)	F. PROFUNDIDAD DE RECORTADO	G. ALTURA DEL MOSTRADOR
35 5/8" (90.5 cm) - 36 5/8" (93 cm)	30" (76,2 cm)	31 1/2" (80 cm)	28 5/16" (71,9 cm)	30±1/16" (76,2±0,15 cm)	21 3/4" (55,2 cm) Min. 22 1/8" (56,2 cm) Max 24" (61 cm) Min. con un protector trasero.	36 5/8" (93 cm) Max. 35 5/8" (90.5 cm) min.

# INSTRUCCIONES DE INSTALACION DE COCINAS DE GAS DE 30"

(Modelos con quemadores sellados)

## Notas importantes para el Instalador

1. Lea todas las instrucciones contenidas en este manual antes de instalar la estufa.
2. Saque todo el material usado en el embalaje del compartimiento del horno antes de conectar el suministro eléctrico o de gas a la estufa.
3. Observe todos los códigos y reglamentos pertinentes.
4. Deje estas instrucciones con el comprador.
5. Nota: Para la utilización a más de 2 000 pies de altura, la potencia del aparato deberá ser reducida de 4 por ciento a cada 1 000 pies adicionales.

## Nota Importante para el Consumidor

Conserve estas instrucciones y el Manual del Usuario para referencia futura.

## IMPORTANTES INSTRUCCIONES DE SEGURIDAD

Instalación de esta estufa debe cumplir con todos los códigos locales, o en ausencia de códigos locales con el Código Nacional de Gas Combustible ANSI Z223.1/NFPA .54—última edición.

El diseño de esta estufa ha sido certificado por la CSA Internacional. En éste como en cualquier otro artefacto que use gas y genere calor, hay ciertas precauciones de seguridad que usted debe seguir. Estas serán encontradas en el Manual del Usuario, léalo cuidadosamente.

- **Asegúrese de que la estufa sea instalada y conectada a tierra en forma apropiada por un instalador calificado o por un técnico.**
- **Esta estufa debe ser eléctricamente puesta a tierra de acuerdo con los códigos locales, o en su ausencia, con el Código Eléctrico Nacional ANSI/NFPA No. 70, última edición.** Vea las instrucciones para la puesta a tierra en la página 4.
- **Antes de instalar la estufa en un área cuyo piso este recubierto con linóleo u otro tipo de piso sintético, asegúrese de que éstos puedan resistir una temperatura de por lo menos 90°F sobre la temperatura ambiental sin provocar encogimiento, deformación o decoloración.** No instale la estufa sobre una alfombra al menos que coloque una plancha de material aislante de por lo menos 1/4 pulgada, entre la estufa y la alfombra.

- **Asegúrese de que el material que recubre las paredes alrededor de la estufa, pueda resistir el calor generado por la estufa.**
- **No obstruya el flujo del aire de combustión en la ventilación del horno ni tampoco alrededor de la base o debajo del panel inferior delantero de la estufa.** Evite tocar las aberturas o áreas cercanas de la ventilación, ya que pueden estar muy calientes durante el funcionamiento del horno. La estufa requiere aire fresco para la combustión apropiada de los quemadores.


**⚠ ADVERTENCIA** Nunca deje niños solos o desatendidos en un área donde un artefacto está siendo usado. A medida que los niños crecen, enséñeles el uso apropiado y de seguridad para todos los artefactos. Nunca deje la puerta del horno abierta cuando la estufa está desatendida.

**⚠ ADVERTENCIA** No se pare, apoye o siente en las puertas o cajones de esta estufa pues puede resultar en serias lesiones y puede también causar daño a la estufa.

- **No almacene artículos que puedan interesar a los niños en los gabinetes sobre la estufa.** Los niños pueden quemarse seriamente tratando de trepar a la estufa para alcanzar estos artículos.
- **Los gabinetes de almacenamiento sobre la estufa deben ser evitados, para eliminar la necesidad de tener que pasar sobre los quemadores superiores de la estufa para llegar a ellos.**
- **Ajuste el tamaño de la llama de los quemadores superiores de tal manera que ésta no sobrepase el borde de los utensilios de cocinar.** La llama excesiva es peligrosa.
- **No use el horno como espacio de almacenaje.** Esto creará una situación potencialmente peligrosa.
- **Nunca use la estufa para calentar el cuarto.** El uso prolongado de la estufa sin la adecuada ventilación puede resultar peligroso.
- **No almacene ni utilice gasolina u otros vapores y líquidos inflamables en la proximidad de éste o de cualquier otro artefacto eléctrico.** Puede provocar incendio o explosión.
- En caso de una interrupción del servicio eléctrico, es posible de encender los quemadores de superficie a mano. Para encender un quemador de superficie, acerque un fósforo encendido del cabezal del quemador, y gire delicadamente el botón de control de superficie a LITE (encendido). Tener cuidado al encender los quemadores a mano.
- **Ajuste todos los controles a la posición "OFF" (apagada) después de haber hecho una operación con tiempo programado.**

### PARA MODELOS AUTOLIMPIANTES:

- **Saque la asadera, alimentos o cualquier otro utensilio antes de usar el ciclo de autolimpieza del horno.** Limpie todo exceso de derrame de alimentos. Siga las instrucciones de prelimpiado en el Manual del Usuario.
- **A diferencia de la gama estándar cocinas de gas, ESTA PLANCHA DE COCINA NO ES MOVIBLE.** No intente quitar la plancha de cocina.

	<b>⚠ ADVERTENCIA</b> <ul style="list-style-type: none"><li>• Todas las estufas pueden volcarse.</li><li>• Esto podría resultar en lesiones personales.</li><li>• Instale el dispositivo antivuelcos que se ha empacado junto con esta estufa.</li></ul>	<b>⚠ ADVERTENCIA</b> <p>Para reducir el riesgo de que se vuelque la estufa, hay que asegurarla adecuadamente colo candole los soportes antivuelco que se proporcionan. Para comprobar si estos estan instalados y apretados en su lugar como se debe, ase el borde trasero superior de la estufa y cuidadosamente incline la hacia adelante para asegurar que la estufa se ancle.</p>
---	---	---



# INSTRUCCIONES DE INSTALACION DE COCINAS DE GAS DE 30"

(Modelos con quemadores sellados)

## 1. Construcción del armario

**⚠ PRECAUCION** Para eliminar el riesgo de quemaduras o de fuego tratando de alcanzar algo por encima de las zonas calientes, evite de colocar artículos sobre la cocina. Si cree necesitar este espacio, el riesgo puede disminuir si instala un sombrerete que proteja horizontalmente un mínimo de 5" (12.7cm) sobre la base del armario.

### Preparación del mostrador

- Las extremidades de la cocina sobrepasan el borde de su mostrador.
- Si tiene un **mostrador con las extremidades cuadradas (planas)**, no se necesita ninguna preparación del mostrador.
- **El reborde de frente de mostradores moldeados** deben tener bordes moldeados a 3/4" (1.9cm) a partir de cada extremidad de la apertura (Figura 2).
- **Los mostradores enazulejos** deberán necesitar un recorte de 3/4" (1.9 cm) a partir de cada extremidad y/o un borde redondeado aplanado (Figura 2).

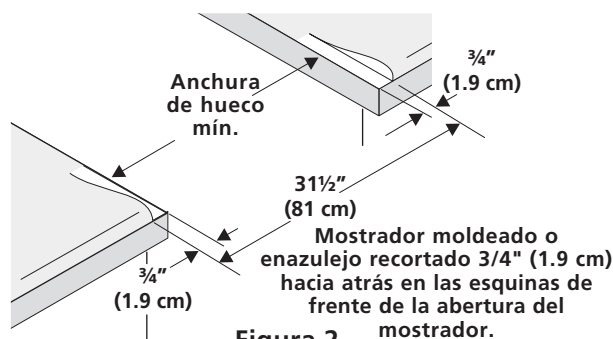


Figura 2

- Si el ancho de la apertura del mostrador es más grande que 30 1/16" (76,4 cm), ajuste a las dimensiones como para el 3/4" (1.9).
- Para la Anchura existente del Recorte de el 29"(73.7 cm) (Figura 3):

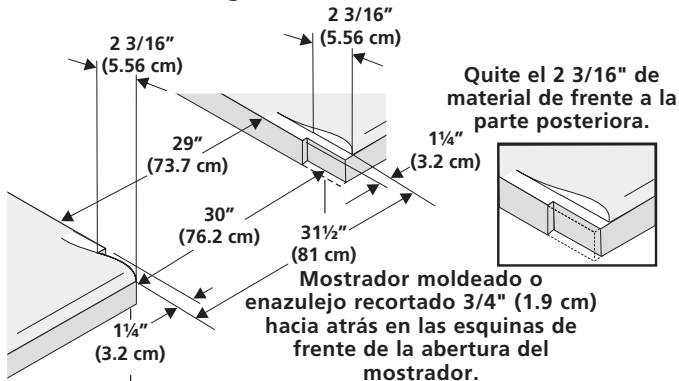


Figura 3

- **El mostrador deber ser nivelado.** Coloque un nivelador sobre el mostrador, primero de lado a lado y luego del frente hacia atrás. Si el mostrador no está nivelado, la cocina no estará nivelada. El horno debe ser nivelado para tener resultados satisfactorios al hornear. Las extremidades de la plancha de la cocina sobrepasan los bordes de la apertura del mostrador.

## 2. Proporcione un suministro de gas adecuado

Cuándo se envía de la fábrica, Esta unidad ha sido ajustada para operar con un múltiple de admisión para gas natural de 4" (10.16 cm)(1.0 kPa). Un regulador de presión convertible esta conectado a la válvula distribuidora y DEBE ser conectado con la tubería del suministro de gas. Si el juego de conversión del propano LP/Propano se ha utilizado, sigue las instrucciones proporcionadas el juego para convertir el regulador de presión al uso de LP/Propano.

Se debe de tener cuidado durante la instalación de la estufa para no obstruir el flujo de aire de combustión y ventilación

Para la operación apropiada, la máxima presión de entrada al regulador no debe exceder la presión de una columna de agua de 14" (35,56 cm) (3.5 kPa). La presión de entrada al regulador debe ser por lo menos 1" (.25 kPa) más grande que la válvula distribuidora. Ejemplos: Si regulador se pone para el gas natural con una presión de 4" (10,16 cm), la presión de entrada al regulador debe ser por lo menos 5" (12.60 cm); si el regulador se ha convertido para gas LP/Propane 10" (25,4 cm) la presión de entrada al regulador debe ser por lo menos 11" (27,9 cm).

Un examen de detección de fugas del aparato debe ser realizado según las instrucciones en el paso 4.

La línea de fuente de gas debe ser de 1/2" o de 3/4" .

## 3. Selle las aperturas

sella todas las aperturas en la pared detrás de la estufa y en el suelo debajo de la estufa después que la línea del suministro de gas sea instalada.

## 4. Conecte la estufa al suministro de gas

**Importante:** Quite todo el material de embalaje y literatura de la estufa antes de conectar el gas y la fuente eléctrica.

Para evitar fugas, aplique sellador de tuberías en todas las partes roscadas machos (exterior) de la tubería. El regulador se encuentra en el lugar que se muestra en la illustration (Figura 4).

**⚠ PRECAUCION** No permita que el regulador gire sobre la tubería al apretar las uniones.

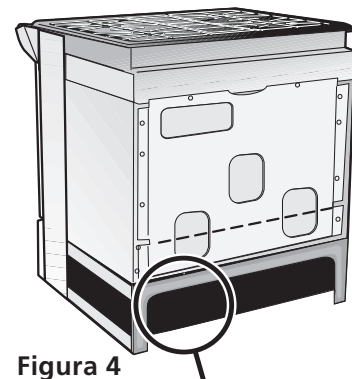


Figura 4

Ubicación del regulador de presión



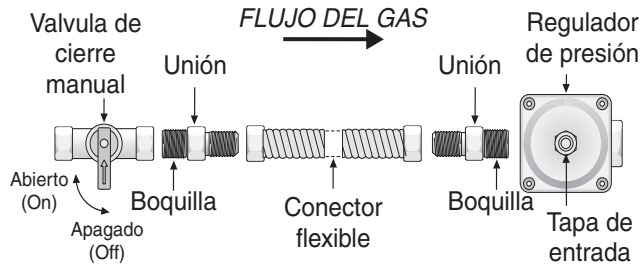
# INSTRUCCIONES DE INSTALACION DE COCINAS DE GAS DE 30"

(Modelos con quemadores sellados)

## Conecte el Regulador de Presión

El regulador de presión esta ya instalada para la estufa.

**⚠ ADVERTENCIA** No haga la conexión demasiado apretada. El regulador es de die cast. El apretar demasiado puede agrietar el regulador dando por resultado una fuga de gas y un fuego o una explosión.



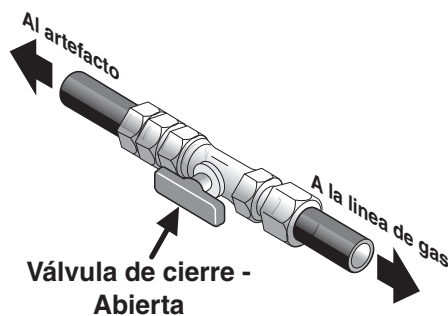
Todas las conexiones deben ser apretadas con una llave inglesa- **Figura 5**

Reúna el conector flexible del tubo del suministro de gas al regulador de la presión en la orden siguiente:

1. Válvula de cierre manual (no incluido)
2. Boquilla de 1/2" (no incluido)
3. 1/2" Adaptador de unión (no incluido)
4. Conector flexible (no incluido)
5. 1/2" Adaptador de unión (no incluido)
6. Boquilla de 1/2" (no incluido)
7. regulador de presión (incluido)

Use sellador para uniones de tuberías hecho para el uso de gas natural y LP/Propane para sellar todas las conexiones de gas. Si se utilizan los conectores flexibles, asegúrese de que los conectores no están enroscados.

La línea del suministro se debe de ser equipada de una válvula de cierre manual aprobada. Esta válvula se debe localizar en el mismo cuarto que la estufa y debe estar en una localización que permita la facilidad de la abertura y del cierre. No bloquee el acceso a la válvula. La válvula es para encender o apagar el gas del aparato.



**Figura 6**

Una vez que regulador está en su lugar, abra la válvula en la línea del suministro de gas. Espere algunos minutos para que el gas pueda moverse a través de la línea de gas.

**Compruebe para saber si hay fugas de gas.** Después de conectar la estufa con la fuente de gas, compruebe el electrodomestico para saber si hay fugas con un

manómetro. Si un manómetro no está disponible, gire la fuente de gas y utilice un detector líquido de fugas (o jabón y agua) en todos los empalmes y conexiones has la comprobación para fugas.

**⚠ ADVERTENCIA** No utilice una llama para verificar fugas en las conexiones de gas. Verificar para fugas con una llama puede tener como resultado un fuego o la explosión.

**Apriete todas las conexiones** como necesario para prevenir fugas de gas en la superficie de la estufa o en la línea de suministro.

**Desconecte la estufa y su válvula de cierre manual** del sistema de tubería del suministro de gas durante cualquier prueba de presión de ese sistema a presiones mayores de 1/2 psig (3,5 kPa o 14" columna de agua).

**Aísle la estufa del sistema de tubería del suministro de gas** cerrando su válvula de cierre manual durante cualquier prueba de presión del sistema de tubería del suministro de gas prueba de presión iguala a o a menos de 1/2 psig (3,5 kPa o 14" columna de agua).

## 5. Conversión para uso de Propano Líquido

Este aparato puede ser usado con gas natural o propano líquido. Ha sido ajustado en la fábrica para operar con gas natural solamente.

Si desea convertir su estufa para uso con propano líquido, use los orificios provistos ubicados en el bolso que contiene la literatura titulada "FOR LP/PROPANE GAS CONVERSION." Siga las instrucciones que vienen con los orificios.

La conversión debe ser efectuado por un técnico de servicio capacitado, de acuerdo con las instrucciones del fabricante y con todos los códigos y requisitos de las autoridades correspondientes. El no seguir las instrucciones podría dar como resultado lesiones graves o daños a la propiedad. El organismo autorizado para llevar a cabo este trabajo asume la responsabilidad de la conversión.

**⚠ ADVERTENCIA** La falta de una conversión apropiada puede resultar en lesiones graves y daños a la propiedad.

## 6. Requisitos eléctricos

120 voltio, 60 Hertzio, circuito dedicado apropiadamente puestos a tierra protegido por un circuito de amperio o fusible de demora de tiempo de 15 amp. **Nota:** no es recomendado instalarlo con un interruptor (GFI) de puesta a tierra.

**No utilice una extensión con esta estufa.**

### Instrucciones de puesta a tierra

**IMPORTANTE** Por favor lea con cuidado.

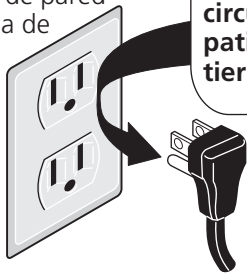
**Para la seguridad personal, este aparato debe ser puesto a tierra apropiadamente.**

El cable del suministro eléctrico de esta estufa está equipado con un enchufe de tres patillas (para puesta a tierra) que coincida con un enchufe de pared estándar con puesta a tierra de tres patillas para minimizar la posibilidad que se produzcan descargas eléctricas.

El cliente deberá encargar a un técnico para asegurarse de que el enchufe se encuentra debidamente conectado a tierra y polarizado.

#### Método preferido

Enchufe de pared con toma de tierra



**No corte, retire o deribe, bajo ninguna circunstancia, la patilla de la toma de tierra del enchufe**

Cable de suministro eléctrico con enchufe con toma de tierra

Figura 7

En lugares en los que aya un enchufe de pared estándar de dos patillas, el cliente tendrá responsabilidad directa y la obligación de reemplazarlo por un enchufe de pared de tres patillas debidamente cableado a tierra.

**Bajo ninguna circunstancia, corte, retire o deribe la tercera patilla (de toma de tierra) del cable del suministro de energía eléctrica.**

**⚠ ADVERTENCIA** Desenchufa el cable del suministro de energía eléctrica del enchufe de pared antes de mantener la plancha de cocina.

## 7. La mudanza del aparato para reparaciones o limpieza

Apague la corriente eléctrica a la estufa a la fuente de poder principal, y apague la válvula de cierre manual de gas. Asegúrese de que la estufa esté fresca. Quite el cajón de servicio (el cajón calentador en algunos modelos) y abra la puerta del horno. Levante la frente de la estufa y deslícela fuera de la abertura sin crear tensión desmedida sobre el conducto flexible de gas. Asegúrese de no pellizque el conducto flexible de gas detrás de la estufa al reemplazar la unidad en la abertura. Reemplace el cajón, cierre la puerta y enciende el gas y la corriente eléctrica a la estufa.

## 8. Instalación de la cocina

**Nota importante:** No es necesario, pero sí es conveniente, quitar la puerta para instalar el horno. Consulte las instrucciones para retirar la puerta en la Guía de Uso y Cuidado.

### Instalación estandar.

1. La plancha de cocinar se sobrepone por encima del mostrador con sus extremidades y la cocina reposa sobre el suelo. La plancha de cocinar es 31½" (81 cm) de ancho.
2. Instale la base de los armarios a 30" (76.2 cm) de espacio entre ellas. Asegúrese que estos esten verticales y alineados antes de instalar la plancha de cocinar. Lije el borde del mostrador para obtener las 31½" (81 cm) en la parte superior del mostrador.
3. Instale las puertas del armario a 31" (78,7 cm) de espacio entre ellas para que no interfieran con la abertura de la puerta de la cocina.
4. Corte el mostrador exactamente como en la página 9.
5. Puede pedir un juego de repuesto con su representante.
6. Para una instalación óptima, la superficie superior de la mesada debe estar nivelada y ser plana (sobre el mismo plano) en los 3 lados adyacentes a la cocina. Se deben hacer los ajustes correspondientes para hacer que la parte superior quede plana, de lo contrario podrán quedar espacios entre la mesada y la cocina.
7. **⚠ PRECAUCION** Para reducir el riesgo de dañar su artefacto, no lo manipule cerca del vidrio cerámico. Manipúlelo con cuidado.
8. Coloque la cocina enfrente de la abertura del armario.
9. Asegúrese de que el vidrio que está colgado sobre la mesada deje despejada la mesada. Si es necesario, levante la unidad bajando las patas de nivelación.
10. **Nivele la cocina** (vea Nivelación de la estufa). El piso donde se instala la cocina debe estar nivelado. Siga las instrucciones "nivelación de la estufa- modelos equipado con las patas niveladoras".
11. Ajuste a las piernas de nivelación de manera que la parte de abajo de la plancha de cocinar está apoyada contra el mostrador.
12. Atornille con cuidado en la pata de nivelación trasera hasta que el vidrio que está colgado toque levemente la mesada. El vidrio debe soportar el peso de la unidad.
13. Luego, atornille con cuidado en las dos patas de nivelación anteriores (igual a 12) hasta que el vidrio que está colgado toque levemente la mesada.
14. Deslice la cocina en la abertura para el corte.
15. Si la estufa no está nivelada, arranque el electrodoméstico y vuelva a ajustar a las piernas o asegúrese que el suelo está nivelado.

### Instalación para la Anchura existente del Recorte de el 29"(73.7 cm) :

1. Usted debe substituir los paneles laterales reales por los paneles laterales nuevos y más pequeños. Paneles laterales puede ser pedido con su representante.
2. Siga la fuente de las instrucciones con sus paneles laterales nuevos para substituir los paneles laterales reales por los nuevos.

# INSTRUCCIONES DE INSTALACION DE COCINAS DE GAS DE 30"

(Modelos con quemadores sellados)

3. Compruebe si el mostrador está preparado para la abertura amplia del recorte del 29".
4. Instale la estufa.

## Instalación con el repuesto.

La profundidad del corte de (21 3/4" (55.2 cm) Min., 22 1/8" (56.2cm) Max.) necesita ser aumentada a 24" (61 cm) cuando instala el repuesto.

## Instalación con el juego de termino de panel.

Un juego de termino de panel puede ser pedido con su representante.

## Instalación con Paneles Laterales Llenos

Paneles Laterales puede ser pedido con su representante. Instale las puertas de los armarios a 31" (78.7 cm) de espacio entre ellas para que no interfieran con la abertura de la puerta de la cocina.

## 9. Nivelación de la estufa

### Nivele la esufa y ajuste la altura de la estufa antes de instalarla en la abertura.

1. Coloque una parrilla del horno en el centro del horno.
2. Ponga un nivel sobre la parrilla (Figura 8). Tome dos lecturas con el nivel puesto diagonalmente en una dirección y después en la otra. Nivele la estufa, si es necesario, ajustando las 4 patas niveladoras con una llave de tuercas (Figura 14).
3. Asegúrese de no dañar al mostrador, deslice la estufa dentro de la abertura del hueco y vuelva a verificar a la nivelación.

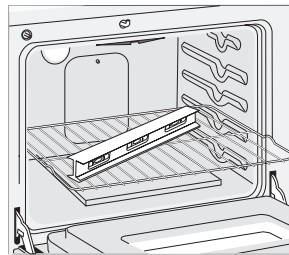


Figura 8

## 10. Comprobación del funcionamiento

Consulte el Manual del Usuario incluido con la estufa para instrucciones de operación y instrucciones para el cuidado y limpieza de su estufa.

No toque los elementos o quemadores. Pueden estar bastante calientes para causar quemaduras.

Quite todo el embalaje de la unidad antes de comprobarla.

### 10.1 Instala las Bases y las tapas de los Quemadores

#### Esta estufa esta equipada con quemadores sellados como mostrado (vea la Figura 9).

- a. Desembale las basas y las tapas de los quemadores.
- b. Coloque una basa de quemador sobre cada abertura de gas.
- c. Asegurese que el quemador está correctamente alineado y nivelado. Coloque las tapas de los quemadores sobre las correctas basas de quemadores.

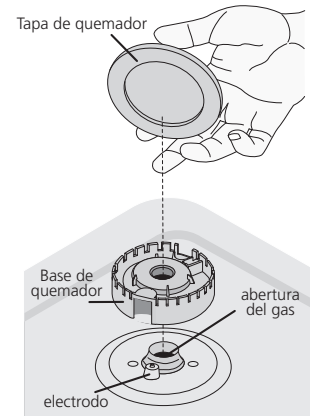


Figura 9

**NOTA:** No hace falta ningún ajuste de quemador en esta estufa.

### 10.2 Enciende la corriente eléctrica y abre la válvula principal de cierre.

### 10.3 Comprobación de los Encendedores

El funcionamiento de los encendedores eléctricos debe ser comprobado después de que la estufa y los conectores a la tubería de suministro de gas hayan sido comprobados para las fugas y la estufa haya sido conectada eléctricamente. Para comprobar que el encendido sea correcto:

- a. Empuje y gire un botón control del quemador superior hasta la posición LITE (encender). Se podría oír el encendedor haciendo chispas.
- b. El quemador se deberá encender en cuatro (4) segundos para un funcionamiento normal, después de que el aire haya sido purgado de la tubería de suministro de gas. Controle visualmente que el quemador se haya encendido.
- c. Después de que el quemador se haya encendido, la plancha de cocina debe ser girada fuera de la posición LITE. Cada quemador tiene su encendedor individual. Controle las perillas separadamente hasta que todas las válvulas hayan sido controladas.

### 10.4 Ajuste de la Posición LOW (BAJA) Para la Válvula del Quemador Superior (Figura 10)

- a. Gire el botón de control a la posición LITE (encender) hasta que el quemador encienda.
- b. **Rápidamente** gire el botón de control a la POSICION MAS BAJA.
- c. Si el quemador se apaga, reajuste la válvula de la siguiente forma: Mueva el control a la posición OFF (apagada). Saque la perilla de control del quemador superior, inserte un destornillador plano pequeño en el hueco del vástago del a válvula hasta enganchar el tornillo interior. El tamaño de la llama puede ser aumentado o disminuido girando el tornillo. Ajuste el tamaño de la llama hasta que pueda pasar rápidamente de la posición LITE hasta la posición MAS BAJA sin que se apague la llama. La llama debe ser lo más pequeña posible sin que se apague.

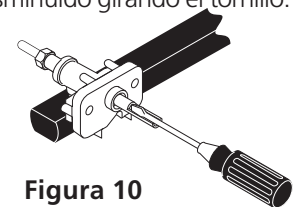


Figura 10

# INSTRUCCIONES DE INSTALACION DE COCINAS DE GAS DE 30"

(Modelos con quemadores sellados)

## 10.5 Operación de Quemadores del Horno y Ajustes de Horno

### 10.5.1 Quemadore de ignición electrica

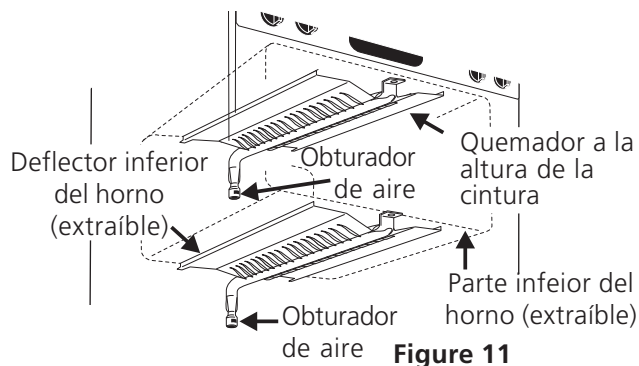
La operación de los encendedores eléctricos debe de ser revisada después de que la cocina y los conectores de la línea de suministro haya sido cuidadosamente revisada para descartar fugas y que la cocina haya sido conectada a la corriente eléctrica.

El quemador del horno está equipado con un sistema de control electrico así como un encendedor de quemador de horno eléctrico. Si su modelo esta equipado con un quemador de asado central superior, también contará con un encendedor de quemador eléctrico. Estos sistemas de control no requieren ajustes. Cuando el horno esta configurado para operar, la corriente fluirá hacia el encendedor y tendrá un resplandor de manera similar a una bombilla de luz. Cuando el encendedor a alcanzado una temperatura suficiente para encender el gas, la válvula del horno controlada eléctricamente se abrirá y el fuego aparecerá en el quemador del horno. Hay un lapso de tiempo de 30 a 60 segundos después de que el termostato se enciende y antes de que la llama aparezca en el quemador del horno. Cuando el horno alcanza la configuración del dial, el encendedor resplandeciente se apagará. la llama del quemador desaparecerá por 20 a 30 segundos después de que el encendedor se apage. Para mantener cualquier temperatura de horno dada, este ciclo continuará tanto como el dial (o visualizador) esté configurado para operar.

Después de retirar todos los materiales del empaque y la literatura del horno:

- Fije el horno en HORNEAR (BAKE) a 300°F. Vea la guía de Uso y Cuidado para conocer las instrucciones de funcionamiento.
- En 60 segundos el quemador del horno se encenderá. Revise que exista un fuego adecuado, y permita que el quemador cumpla su ciclo una vez. Gire los controladores hacia off (APAGADO).
- Si su modelo esta equipado con un asador central superior, fije el horno en ASAR. Vea la Guía de Uso y Cuidado para conocer las instrucciones de funcionamiento.
- En 60 segundos el quemador de asar debe de encenderse. Revise si exista una llama adecuada. Gire los controles hacia off (APAGADO).

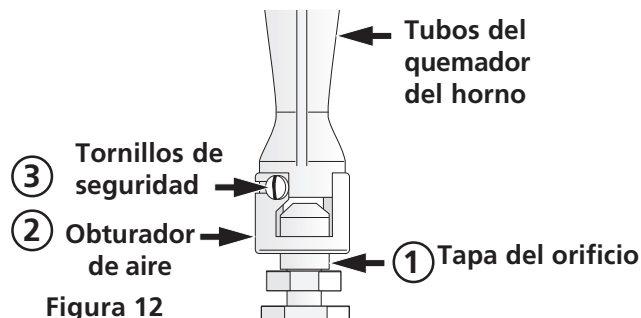
### 10.5.2 Obturador del Aire - Quemador del horno



La longitud aproximada de la llama del quemador del horno es 1 pulgada (interior claro, llama azul). Para determinar si la llama del quemador de horno es la adecuada, retire el fondo del horno y el deflector del quemador i fije el horno en la opción hornear a 300°F.

Para retirar el fondo del horno, retire los tornillos de ajuste del horno en la parte posterior del fondo del horno. jale hacia arriba, desenganche el frente del fondo del marco anterior del horno, y jale la base hacia a fuera de éste. retire el deflector del quemador de manera que la llama del quemador pueda ser observada.

Si la llama es de color amarillo, aumente el tamaño de la abertura del obturador de aire (Vea el tamaño "2" en el gráfico de abajo). Si la llama es de azul claro, reduzca el tamaño de la abertura del obturador de aire. Para ajustar un tornillo de cierre flojo (Vea el gráfico "3" de arriba), vuelva a colocar el obturador de aire, y ajuste el tornillo de cierre. Reemplace el fondo del horno.



### 10.5.3 Obturador de aire - Quemador de asado

La longitud aproximada de la llama del quemador de asado es 1 pulgada (interior claro, llama azul). Para determinar si la llama del quemador de asado es la adecuada, poner el horno en la opción asar.

Si la llama es de color amarillo, aumente el tamaño de la abertura del obturador de aire (Vea el tamaño "2" en el gráfico de abajo). Si la llama es de azul claro, reduzca el tamaño de la abertura del obturador de aire, y ajuste el tornillo de cierre.

## Después de Terminar la Instalación

Asegúrese de que todos los controles estén en la posición OFF (apagada).

Asegúrese de que el flujo del aire de combustión y de ventilación a la estufa no esté obstruido.

## Ubicación del Número de Modelo y de Serie

La placa con el número de serie está ubicada en el marco delantero del horno detrás de la puerta del horno (algunos modelos) o detrás del cajón (algunos modelos).

Cuando haga pedidos de repuestos o solicite información con respecto a su estufa, esté siempre seguro de incluir el número de modelo y de serie y el número o letra del lote de la placa de serie de su estufa.

La placa con el número de serie también le da la potencia nominal de los quemadores, el tipo de combustible y la presión a la cual fué ajustada la estufa en la fábrica.



# INSTRUCCIONES DE INSTALACION DE COCINAS DE GAS DE 30"

(Modelos con quemadores sellados)

## Antes de Llamar al Servicio

Lea la sección Evite Llamadas de Servicio en su Manual del Usuario. Esto le podrá ahorrar tiempo y gastos. Esta lista incluye ocurrencias comunes que no son el resultado de defectos de materiales o fabricación de este artefacto.

Lea la garantía y la información sobre el servicio en su Manual del Usuario para obtener el número de teléfono gratuito y la dirección del servicio.

## 11. Instrucciones de instalación de la fijación anti-inclinación

**⚠ ADVERTENCIA** Para reducir el riesgo de inclinación de la cocina, ésta debe ser asegurada hacia el piso con las fijaciones de anti-inclinación y los tornillos que vienen con la cocina. Estos componentes se encuentran en el horno. Si no instala las fijaciones, corre el riesgo que su cocina pueda inclinarse si pone demasiado peso en ella o si un niño sube sobre ésta. Esto podría ocasionar graves heridas causadas por líquidos calientes o por la propia cocina.

Siga estas instrucciones para instalar las fijaciones de anti-inclinación.

Si la cocina es trasladada a otro lugar, las fijaciones de anti-inclinación deben también ser trasladados con la cocina. Para controlar la instalación apropiada, vea el paso número 5.

### Herramientas Necesarias:

Llave de tuerca de 5/16" (0,79 cm) o destornillador para tornillos de cabeza plana

Llave inglesa

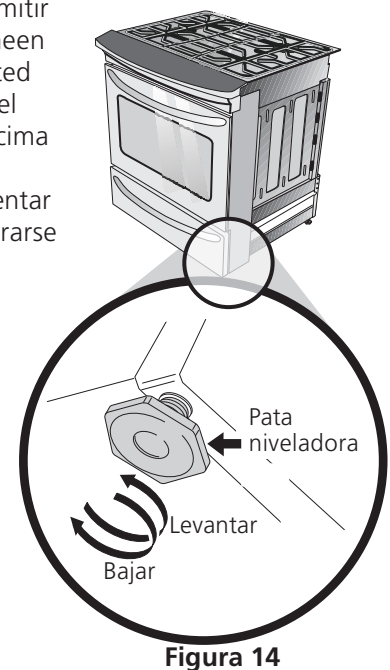
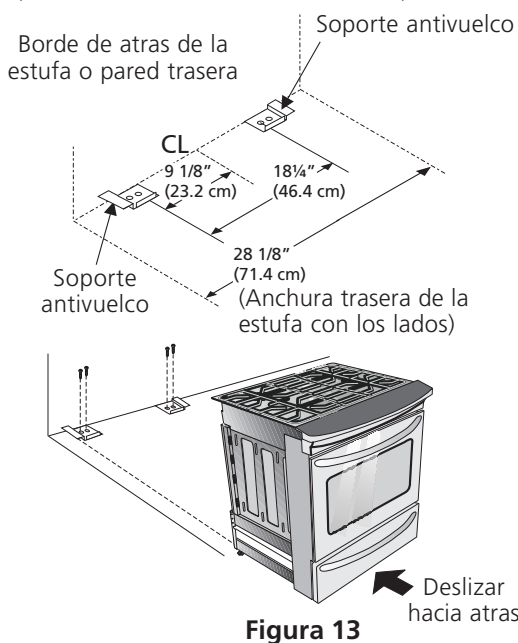
Taladro eléctrico

Broca de 3/16" (0,48 cm) de diámetro

Broca para taladro de mampostería de 3/16" (0,48 cm) de día. (si se está instalando en concreto)

Los soportes se fijan al suelo en la parte trasera de la estufa para sujetar ambos niveladores de las patas traseras. Cuando los esté instalando al piso, asegúrese de que los tornillos no penetren el alambrado eléctrico o plomería. Los tornillos provistos pueden utilizarse en madera o concreto.

1. Desdoble la plantilla de papel y colóquela plana en el piso con los bordes laterales y el trasero colocados exactamente donde la parte trasera y los lados de la estufa serán colocados cuando sea instalada. (Use el diagrama siguiente para ubicar los soportes si no se dispone de la plantilla (Figura 13)).
2. Marque en el piso la ubicación de los 4 agujeros de montaje como se muestra en la plantilla. Para facilitar la instalación, se pueden taladrar agujeros piloto de 3/16" (0.5 cm) de día. y 1/2" (1.3 cm) de profundidad en el piso.
3. Saque la plantilla y coloque los soportes en el piso con la brida hacia arriba dirigida hacia el frente. Alinee los agujeros en los soportes con las marcas en el piso y sujete con los 4 tornillos provistos. Los soportes deben estar asegurados al piso firme. Si se va a instalar en piso de concreto, primero debe taladrar agujeros guía de 3/16" (0.5 cm) de diámetro usando una broca para taladro de mampostería.
4. Nivele la estufa si es necesario ajustando las cuatro patas niveladoras con una llave (Ver la Figura 14 abajo). Se requiere un espacio libre mínimo de 1/8" (0.8 cm) entre la parte inferior de la estufa y los niveladores de las patas traseras para dejar espacio para los soportes antivuelco.
5. Deslice la estufa a su lugar asegurándose de que las patas traseras estén sujetas por los extremos de los soportes. La estufa puede necesitar ser movida ligeramente a un lado cuando está siendo empujada hacia atrás para permitir que las patas se alineen con los soportes. Usted cuidadosamente intentar voltearla para asegurarse de que la estufa sea adecuadamente anclada.





# INSTRUCTIONS D'INSTALLATION POUR CUISINIÈRE SUR PIEDS DE 30" À GAZ

(Modèles avec brûleurs fermés)

**UN INSTALLATEUR QUALIFIÉ DOIT EFFECTUER L'INSTALLATION ET LE SERVICE IMPORTANT: CONSERVEZ CES INSTRUCTIONS POUR LES INSPECTEURS LOCAUX. LISEZ CES INSTRUCTIONS ET CONSERVEZ-LES POUR RÉFÉRENCES ULTÉRIEURES.**

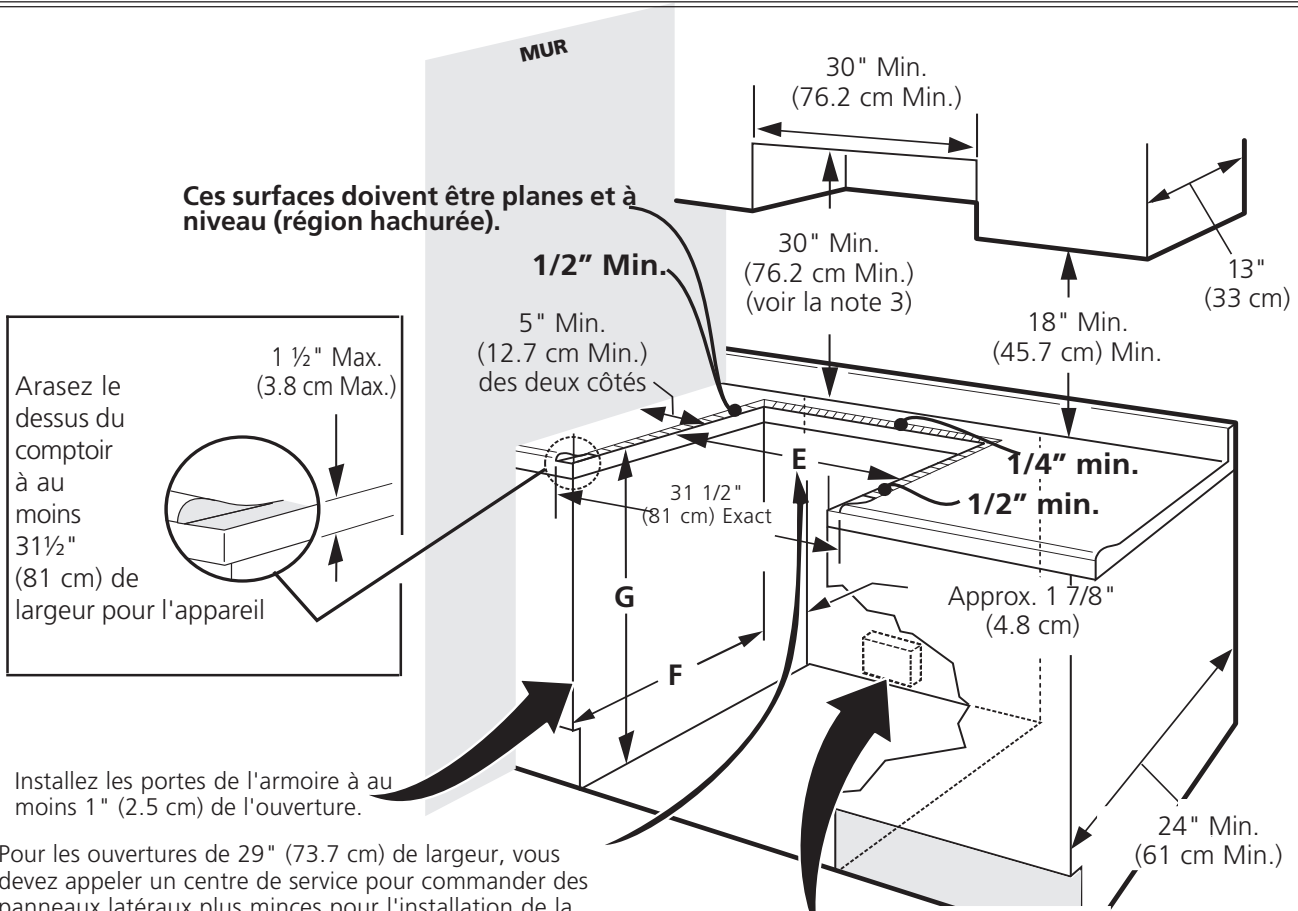
**⚠ AVERTISSEMENT** Si les instructions de ce manuel ne sont pas suivies à la lettre, il pourrait en résulter un incendie ou une explosion susceptible de causer des dommages matériels, des blessures ou même la mort.



**POUR VOTRE SÉCURITÉ:**

- N'entrez pas et n'utilisez pas d'essence ou d'autres produits inflammables à proximité de cet appareil ou de tout autre appareil.
- **QUE FAIRE SI VOUS DÉCELEZ UNE ODEUR DE GAZ:**
  - Ne tentez d'allumer aucun appareil.
  - N'actionnez aucun interrupteur électrique; n'utilisez aucun appareil téléphonique de l'édifice.
  - Communiquez immédiatement avec votre fournisseur de gaz en vous servant du téléphone d'un voisin. Suivez les instructions que le fournisseur vous donnera.
  - S'il vous est impossible de rejoindre votre distributeur de gaz, communiquez avec le service d'incendie.
- L'installation et l'entretien doivent être effectués par un installateur qualifié, un service d'entretien ou de réparation accrédité ou le distributeur de gaz.

Référez-vous à la plaque signalétique pour la certification d'agence applicable.



Installez les portes de l'armoire à au moins 1" (2.5 cm) de l'ouverture.

Pour les ouvertures de 29" (73.7 cm) de largeur, vous devez appeler un centre de service pour commander des panneaux latéraux plus minces pour l'installation de la cuisinière. Vous devez aussi suivre les instructions pour la préparation du dessus de comptoir à la section "Préparation du dessus de comptoir" (voir page 19).

La prise murale ou la boîte de jonction doit se situer entre 8" à 17" (20.3 à 43.2 cm) de l'armoire de droite et 2" à 4" (5.1 à 10.2 cm) du plancher.

A. HAUTEUR	B. LARGEUR	C. LARGEUR DE LA TABLE DE CUISSON	D. PROFONDEUR À L'AVANT DE LA CUISINIÈRE	E. LARGEUR DE DÉCOUPAGE*** (Comptoir & armoire)	F. PROFONDEUR DE DÉCOUPAGE	G. HAUTEUR DU DESSUS DE COMPTOIR
35 5/8" (90.5 cm) - 36 5/8" (93 cm)	30" (76,2 cm)	31 1/2" (80 cm)	28 5/16" (71,9 cm)	30±1/16 (76,2±0,15 cm)	21 3/4" (55,2 cm) Min. 22 1/8" (56,2 cm) Max 24" (61 cm) Min. si l'on installe un dossier	36 5/8" (93 cm) Max. 35 5/8" (90.5 cm) Min.

**NOTE: Le schéma de câblage de l'appareil est inclus à la fin de ce feuillet.**

P/N 318201673 (0711) Rev. C

Imprimé aux États-Unis

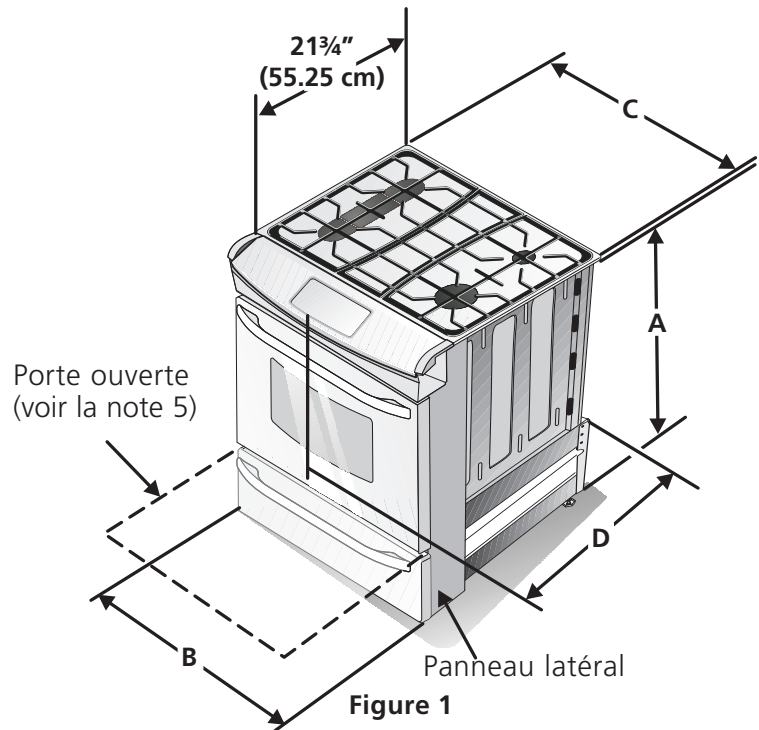
English – pages 1-9  
Español – páginas 10-18  
Français – pages 19-28  
Schéma de câblage – pages 30-32

# INSTRUCTIONS D'INSTALLATION POUR CUISINIÈRE SUR PIEDS DE 30" À GAZ

(Modèles avec brûleurs fermés)

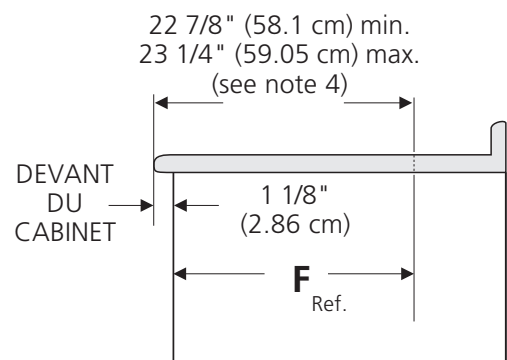
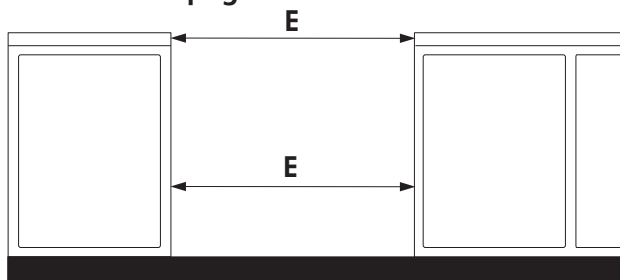
## NOTE:

1. Ne coincez pas le cordon d'alimentation ou le conduit de gaz entre le mur et l'appareil.
2. Ne scellez pas l'appareil aux armoires latérales.
3. Dégagement minimum de 24" (61 cm) entre la plaque de cuisson et la bas de l'armoire du haut lorsque le dessous de l'armoire en bois ou en métal est protégé par un celloderme retardateur de flammes d'un minimum de ¼" (0.64 cm) recouvert d'une feuille de métal MSG No. 28, d'acier inoxydable d'un minimum de 0.015" (0.4 mm), d'aluminium de 0.024" (0.6 mm) ou de cuivre de 0.020" (0.5 mm).  
Dégagement minimum de 30" (76.2 cm) lorsque l'armoire n'est pas protégée.
5. Notez que pour les ouvertures de moins de 22 7/8" (58.1 cm), l'appareil dépassera légèrement vers l'avant du comptoir.
6. Allouez au moins 19 ¼" (48.9 cm) d'espace pour permettre l'ouverture de la porte du four.



**\*\*\*IMPORTANT:** Pour une largeur de découpage (dimension E) plus grande que 30 1/16" (76.4 cm) et pour éviter un bris de vitre, au moment d'insérer l'appareil dans le comptoir assurez-vous qu'il est bien centré dans l'ouverture. Levez les pattes de nivellement au maximum, insérez l'appareil dans le comptoir et ensuite nivelez-le. Assurez-vous que l'appareil est bien supporté par les pattes de nivellement et non par la surface vitrifiée.

**IMPORTANT:** La largeur du comptoir et de l'armoire doit être égale à la largeur de découpage.



A. HAUTEUR	B. LARGEUR	C. LARGEUR DE LA TABLE DE CUISSON	D. PROFONDEUR À L'AVANT DE LA CUISINIÈRE	E. LARGEUR DE DÉCOUPAGE*** (Comptoir & armoire)	F. PROFONDEUR DE DÉCOUPAGE	G. HAUTEUR DU DESSUS DE COMPTOIR
35 5/8" (90.5 cm) - 36 5/8" (93 cm)	30" (76,2 cm)	31 1/2" (80 cm)	28 5/16" (71,9 cm)	30±1/16 (76,2±0,15 cm)	21 3/4" (55,2 cm) Min. 22 1/8" (56,2 cm) Max 24" (61 cm) Min. si l'on installe un dossier	36 5/8" (93 cm) Max. 35 5/8" (90.5 cm) Min.

# INSTRUCTIONS D'INSTALLATION POUR CUISINIÈRE SUR PIEDS DE 30" À GAZ (Modèles avec brûleurs fermés)

## Notes importantes à l'installateur

1. Lisez toutes les instructions contenues dans ce feuillet avant d'installer la cuisinière.
2. Enlevez tout le matériel d'emballage des compartiments du four avant de connecter l'alimentation de gaz et électrique à la cuisinière.
3. Respectez tous les codes et règlements applicables.
4. N'oubliez pas de laisser ces instructions au consommateur.
5. Note: Pour utilisation de l'appareil à 2000 pieds au-dessus du niveau de la mer, la puissance des brûleurs doit être réduite de 4% pour chaque 1000 pieds supplémentaires.

## Note importante au consommateur

Conservez ces instructions avec le guide de l'utilisateur pour référence ultérieure.

## INSTRUCTIONS DE SÉCURITÉ IMPORTANTES

Cette cuisinière doit être installée conformément aux règlements locaux, ou en leurs absences, aux normes ANSI Z223.1/NFPA .54- dernière édition.

La conception de cette cuisinière a été approuvée par CSA international. Il faut prendre certaines précautions d'usage lors de l'utilisation de tout appareil fonctionnant au gaz naturel ou produisant de la chaleur. Vous trouverez celles-ci dans votre Guide d'utilisateur, lisez-les avec attention.

- **Assurez-vous que votre cuisinière est correctement installée et mise à la terre par un installateur ou un technicien d'entretien qualifié.**
- **Le circuit électrique de cette cuisinière doit être mis à la terre conformément aux règlements locaux, ou en leurs absences, au code électrique ANSI/NFPA No.70-dernière édition.** Voir les instructions de mise à la terre.
- **Avant d'installer la cuisinière à un endroit recouvert de linoléum ou de tout autre couvre-plancher synthétique, assurez-vous que celui-ci peut résister à un minimum de 90°F (32.2°C) de chaleur au-dessus de la température de la pièce sans se rapetisser, se déformer ou se décolorer.** N'installez pas la cuisinière sur un tapis, à moins de placer un tampon isolant ou une feuille de contreplaqué d'une épaisseur de ¼" (0.6 cm) entre la cuisinière et le tapis.

- **Assurez-vous que la tapisserie à proximité du four peut résister à la chaleur générée par la cuisinière.**
- **Ne bloquez pas la circulation d'air à l'orifice de ventilation du four ni autour de la base ou sous le panneau inférieur avant de la cuisinière.** Évitez de toucher les ouvertures de l'orifice de ventilation ou les surfaces avoisinantes car elles risquent de devenir chaudes lorsque le four fonctionne. Les brûleurs ont besoin d'air frais pour assurer une bonne combustion.

**⚠ AVERTISSEMENT** Ne laissez jamais les enfants seuls ou sans surveillance près d'un appareil en fonctionnement. Apprenez-leur à utiliser les appareils électroménagers de façon sécuritaire et appropriée. Ne laissez jamais la porte du four ouverte lorsque la cuisinière est sans surveillance.

**⚠ AVERTISSEMENT** Le fait de monter sur la porte ou le tiroir de cette cuisinière, de s'y appuyer ou de s'y asseoir peut occasionner des blessures graves, et endommager l'appareil.

- **N'entrez pas d'objets susceptibles d'intéresser les enfants dans les armoires situées au-dessus de la cuisinière.** Ils risquent de se brûler sérieusement s'ils tentent de grimper sur l'appareil.
- **Évitez de placer des armoires de rangement au-dessus des brûleurs afin d'éliminer les gestes inutiles au-dessus de ceux-ci.**
- **Réglez la flamme du brûleur pour qu'elle ne dépasse pas le bord de l'ustensile utilisé pour la cuisson.** Une flamme excessive est dangereuse.
- **N'utilisez pas le four à des fins de rangement.** Ceci génère une situation éventuellement dangereuse.
- **N'utilisez jamais votre cuisinière pour réchauffer ou chauffer la pièce.** L'utilisation prolongée de la cuisinière sans une ventilation adéquate peut s'avérer dangereuse.
- **Ne gardez pas de produits combustibles, d'essence et d'autres produits inflammables à proximité de cet appareil ou de tout autre appareil.** Il pourrait en résulter des explosions ou un incendie.
- Lors d'une panne de courant électrique, les brûleurs de surface peuvent être allumés manuellement; placez une allumette allumée près de la tête du brûleur et tournez lentement le bouton de commande de surface à la position LITE. Redoublez de prudence si vous allumez un brûleur de surface manuellement.
- **Remplacez toutes les commandes à la position arrêt «off»** après l'utilisation d'une fonction programmable chronométrée.

## POUR MODÈLES AYANT UN FOUR AUTONETTOYANT:

- **Enlevez la lèchefrite, les aliments et les autres ustensiles avant de faire un cycle autonettoyant du four.** Essayez tous les renversements excessifs. Suivez les instructions pour le pré-nettoyage dans le Guide de l'utilisateur.
- **Comme sur les cuisinières standard à gaz, LA TABLE DE CUISSON DE CET APPAREIL N'EST PAS AMOVIBLE.** Ne tentez pas de l'enlever.

	<b>⚠ AVERTISSEMENT</b>	<b>⚠ AVERTISSEMENT</b>
	<ul style="list-style-type: none"><li>• Toutes les cuisinières peuvent basculer.</li><li>• Des blessures pourraient survenir.</li><li>• Installer les amarres qui accompagnent la cuisinière.</li></ul>	<p>Pour prévenir tout risque de basculement de la cuisinière, cet appareil doit être fixé correctement au plancher à l'aide des amarres qui l'accompagnent. Pour vérifier si les amarres sont posées correctement, retirez le tiroir de rangement et s'assurer que les amarres sont enclenchées.</p>

# INSTRUCTIONS D'INSTALLATION POUR CUISINIÈRE SUR PIEDS DE 30" À GAZ

(Modèles avec brûleurs fermés)

## 1. Construction de l'armoire

**MISE EN GARDE** Pour éliminer les risques de brûlures ou de feu, en étendant le bras au-dessus des surfaces de cuisson chaudes, évitez d'installer des armoires au-dessus de ces dernières. Si vous devez en installer, il est possible de réduire le risque en plaçant une hotte pour cuisinière qui excède horizontalement d'un minimum de 5" (12.7 cm) la base de l'armoire.

### Préparation du dessus de comptoir

- Les côtés de la plaque de cuisson de la cuisinière s'ajustent au-dessus du rebord du découpage du dessus de comptoir.
- Si vous avez un dessus de comptoir au **fini carré (plat)**, aucune préparation n'est requise.
- Les dessus de comptoir au **rebord avant moulé** doivent être aplanis de  $\frac{3}{4}$ " (1.9 cm) à chaque coin avant de l'ouverture (Figure 2).
- Il est possible qu'il soit nécessaire d'araser de  $\frac{3}{4}$ " (1.9 cm) les dessus de **comptoir en mosaïque** à chaque coin avant et/ou d'aplanir le rebord arrondi (Figure 2).

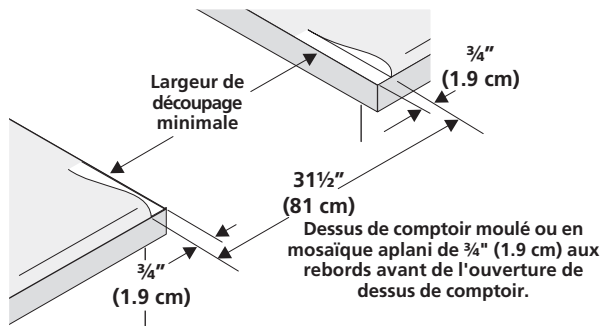


Figure 2

- Si la largeur du dessus de comptoir est supérieure à la largeur minimum requise, ajustez en conséquence le  $\frac{3}{4}$ " (1.9 cm).
- Le dessus de comptoir doit être à niveau. Placez un niveau sur le dessus de comptoir, d'abord de chaque côté, et ensuite du devant à l'arrière. Si le dessus de comptoir n'est pas horizontal, la cuisinière ne le sera pas non plus. Le four doit être à l'horizontale pour obtenir des résultats de cuisson satisfaisants.
- Pour les découpages actuel de 29" (73.7 cm) de large (Figure 3)

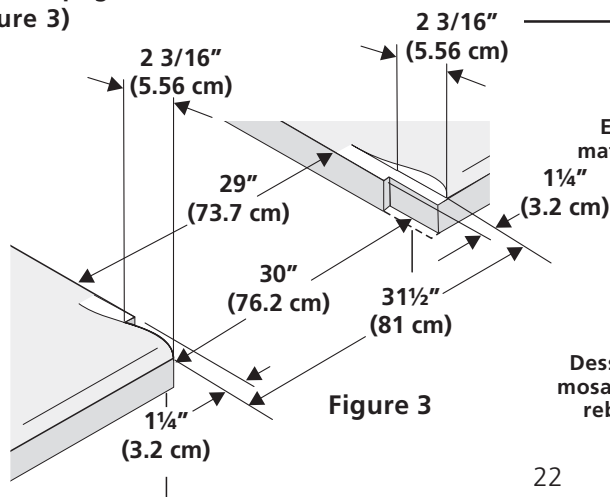


Figure 3

## 2. Alimentation en gaz – Installation

Cet appareil a été conçu en usine pour fonctionner au gaz naturel avec une pression d'admission de 4" (10,16 cm) de colonne d'eau (1.0 kpa). Un régulateur de pression convertible est branché avec la rampe à gaz de la cuisinière, et DOIT RESTER connecté en série avec le tuyau d'alimentation. Si un kit de conversion au gaz propane est utilisé, suivez les instructions de conversion comprises dans le feuillet fourni pour convertir le régulateur pour être utilisé avec le gaz propane.

Une attention particulière doit être prise lors de l'installation de l'appareil pour ne pas obstruer la prise d'air pour la combustion et le conduit de ventilation de l'appareil.

Pour un fonctionnement normal, la pression intérieure maximale au régulateur ne doit pas être supérieure à 14" (35,56 cm) (3.5 kpa) de pression de colonne d'eau. La pression d'admission au régulateur doit être supérieure d'au moins un pouce (ou de .25 kpa) au régulateur ajusté à la rampe à gaz. Pour le gaz naturel, le régulateur étant ajusté à 4" (10,16 cm) de pression (1.0 kpa), la pression d'admission doit être d'au moins 5" (12,7 cm) de colonne d'eau (1.25 kpa). Pour le gaz propane, le régulateur étant ajusté à 10" (25,4 cm) de pression (2.5 kpa), la pression d'admission doit être d'au moins 11 po (27,9 kpa).

La ligne d'alimentation doit être munie d'un robinet d'arrêt approuvé (voir Figure 6). Ce robinet doit se trouver dans la même pièce que la cuisinière et à un endroit qui permette de l'ouvrir et de le fermer facilement. Ne bloquez pas l'accès au robinet d'arrêt. Il est destiné à ouvrir et à fermer l'alimentation en gaz de l'appareil.

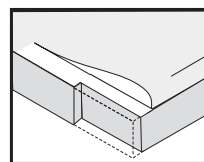
Les tests pour vérifier les fuites de gaz doivent être faits selon les instructions de l'étape 4.

La ligne de gaz doit être de  $\frac{1}{2}$ " (1.3 cm) ou de  $\frac{3}{4}$ " (1.9 cm).

## 3. Scellez les ouvertures

Scellez toutes les ouvertures dans le mur à l'arrière de la cuisinière ainsi que celles dans le plancher sous l'appareil une fois que la ligne de gaz est installée.

Enlevez  $2 \frac{3}{16}$ " (5.6 cm) de matériel à l'avant du comptoir.



Dessus de comptoir moulé ou en mosaïque: aplanir  $1 \frac{1}{4}$ " (3.2 cm) aux rebords avant de chaque côté.

# INSTRUCTIONS D'INSTALLATION POUR CUISINIÈRE SUR PIEDS DE 30" À GAZ

(Modèles avec brûleurs fermés)

## 4. Branchez le gaz à la cuisinière

**Important:** Enlever tout le matériel d'emballage des compartiments du four avant de brancher l'alimentation à gaz et électrique à la cuisinière.

Afin de prévenir les fuites, utilisez des pâtes à joints de tuyauterie fabriquées pour utilisation avec gaz naturel et propane.

Le régulateur est situé tel que montré ici.

**⚠ MISE EN GARDE** Ne laissez pas le régulateur glisser sur le tuyau lors du branchement.

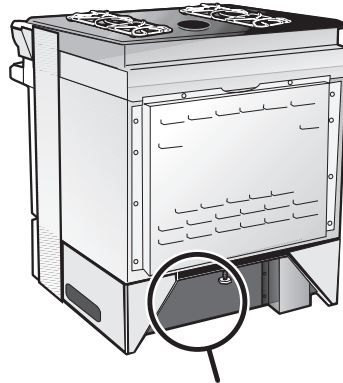
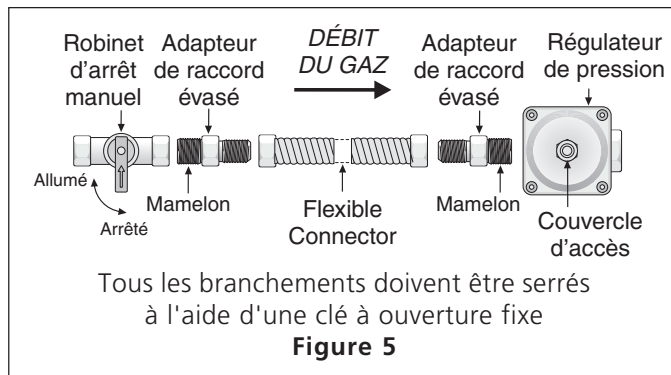


Figure 4 Emplacement du régulateur

### Branchement du régulateur de pression

Le régulateur est installé à l'appareil.

**⚠ MISE EN GARDE** Ne serrez pas trop les raccords. Le régulateur est moulé sous pression. Un serrage excessif pourrait le fissurer et provoquer une fuite de gaz susceptible de causer un incendie ou une explosion.



Assemblez le connecteur flexible du conduit d'alimentation en gaz au régulateur de pression dans l'ordre qui suit

1. robinet d'arrêt manuel (non-inclus)
2. 1/2" mamelon (non-inclus)
3. 1/2" adaptateur de raccord évasé (non-inclus)
4. connecteur flexible, (non-inclus)
5. 1/2" adaptateur de raccord évasé (non-inclus)
6. 1/2" mamelon (non-inclus)
7. régulateur de pression. (inclus)

Utilisez des pâtes à joints de tuyauterie fabriquées pour utilisation avec gaz naturel et propane, pour sceller les connexions de gaz. Si des connecteurs flexibles sont utilisés, assurez-vous qu'ils ne sont pas tordus.

La ligne de gaz doit être munie d'un robinet d'arrêt manuel approuvé. Ce robinet doit être installé dans la même pièce que l'appareil et doit être facile d'accès. Ne bloquez l'accès au robinet. Ce robinet permet d'arrêter ou de permettre l'alimentation en gaz à la cuisinière.

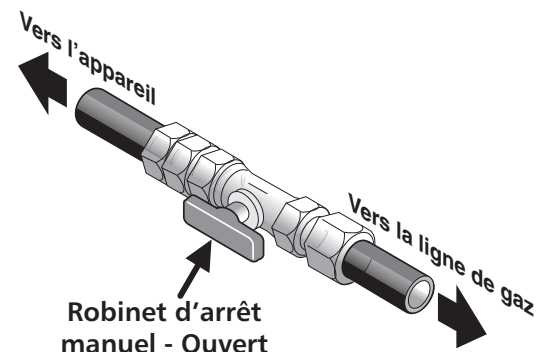


Figure 6

Une fois le régulateur en place, ouvrez le robinet de la ligne d'alimentation en gaz. Attendez quelques minutes pour permettre au gaz circuler à travers la canalisation pour le gaz.

**Veillez à ce qu'il n'y ait pas de fuites.** Après avoir raccordé l'alimentation en gaz à la cuisinière, à l'aide d'un manomètre vérifiez si le système ne fuit pas. Si vous ne disposez pas d'un manomètre, ouvrez l'alimentation en gaz et utilisez un liquide détecteur de fuites sur tous les joints et les raccords.

**⚠ AVERTISSEMENT** N'utilisez pas de flamme nue pour vérifier les fuites de gaz. La détection des fuites à l'aide d'une flamme pourrait provoquer un incendie ou une explosion.

**Resserrez tous les raccords** si nécessaire, afin de prévenir les fuites de gaz dans la plaque de cuisson ou le tuyau d'alimentation.

**Débranchez la cuisinière et fermez son robinet d'alimentation en gaz** lors de toute vérification de pression du circuit d'alimentation de gaz à une pression supérieure à 1/2 lb/po2 (3.5 kpa ou 14" (35,56 cm) colonne d'eau).

**Isolez la cuisinière du réseau d'alimentation en gaz** en fermant son robinet d'arrêt manuel, lors de toute vérification de pression du circuit d'alimentation en gaz à une pression inférieure ou égale à 1/2 lb/po2 (3.5 kpa ou 14 po. colonne d'eau).



# INSTRUCTIONS D'INSTALLATION POUR CUISINIÈRE SUR PIEDS DE 30" À GAZ

(Modèles avec brûleurs fermés)

## 5. Conversion au gaz propane

Cet appareil fonctionne au gaz naturel ou au gaz propane. Il est réglé en usine pour fonctionner au gaz naturel.

Si vous désirez convertir votre cuisinière au gaz propane, servez-vous des orifices fixes fournis dans l'enveloppe portant l'inscription «POUR CONVERSION AU GAZ PROPANE». Suivez les instructions d'installation se trouvant dans l'enveloppe.

Un installateur qualifié doit effectuer la conversion conformément aux instructions du fabricant et à tous les codes et règlements applicables. Si ces instructions ne sont pas suivies à la lettre, il pourrait en résulter de sérieuses blessures corporelles ou des dommages matériels. L'entreprise d'installation qualifiée qui effectue ce travail assume la responsabilité de la conversion.

**⚠ AVERTISSEMENT** Si on n'effectue pas la conversion correctement, il pourrait en résulter des blessures corporelles et des dommages matériels.

## 6. Branchez le courant électrique à la cuisinière

Circuit de dérivation de 120 volt, 60 Hertz, avec mise à la terre appropriée, protégé par un disjoncteur de 15 ampères ou un fusible temporisé.

**N'utilisez pas de cordon de rallonge pour brancher l'appareil.**

**Instructions de mise à la terre**

**IMPORTANT** Veuillez lire attentivement.

**Pour votre propre sécurité, cet appareil doit être correctement mis à la terre.**

Afin de réduire au minimum les risques de chocs électriques, le cordon d'alimentation de cet appareil est muni d'une fiche de contact tripolaire (mise à la terre) enfichable dans une prise de courant murale tripolaire standard avec mise à la terre (figure 7).

Il est conseillé de faire vérifier la prise de courant murale et le circuit par un électricien qualifié, afin de s'assurer que la prise de courant est correctement mise à la terre.

**Méthode préférée**

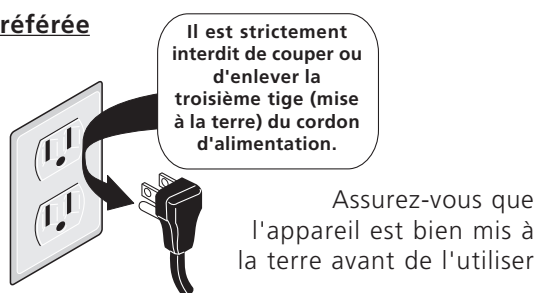


Figure 7

Dans le cas où il n'y a qu'une prise de courant murale bipolaire standard, il incombe au client de la remplacer par une prise de courant murale tripolaire correctement mise à la terre.

**Il est strictement interdit de couper ou d'enlever la troisième tige (mise à la terre) du cordon d'alimentation.**

**⚠ AVERTISSEMENT** Débranchez le cordon d'alimentation électrique de la prise de courant murale avant de réparer ou de nettoyer la plaque de cuisson.

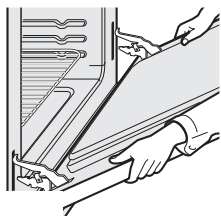
## 7. Déplacement de l'appareil en vue d'en faire le service ou pour faire du nettoyage

Coupez l'alimentation électrique de l'appareil à la boîte des fusibles ou des disjoncteurs et fermez le robinet manuel d'alimentation à gaz. Défaites la connexion de la tuyauterie rigide au régulateur. Il n'est pas nécessaire de défaire cette connexion si un conduit flexible est utilisé. Assurez-vous que l'appareil est froid. Retirez le tiroir de rangement, puis ouvrez la porte du four. Soulevez la cuisinière à l'avant et faites-la glisser hors de son gîte, tout en évitant de soumettre le conduit à gaz flexible à des contraintes excessives. Lorsque la cuisinière est replacée dans son gîte, veillez à ne pas coincer le conduit à gaz flexible et le câble d'alimentation électrique derrière l'appareil. Reconnectez la tuyauterie rigide au régulateur (si applicable) et vérifiez qu'il n'y a pas une fuite de gaz du joint. Remplacez le tiroir, fermez la porte et réalimentez l'appareil en gaz et en électricité.

# INSTRUCTIONS D'INSTALLATION POUR CUISINIÈRE SUR PIEDS DE 30" À GAZ (Modèles avec brûleurs fermés)

## 8. Installation de la cuisinière

**Note importante:** L'enlèvement de la porte du four n'est pas requis pour l'installation de l'appareil, mais la facilite grandement. Référez-vous au manuel d'utilisation pour connaître les étapes.



### Installation Standard

1. La table de cuisson chevauche, de chaque côté, le dessus du comptoir et la cuisinière repose sur le plancher. La largeur de la table de cuisson est de 31½" (81 cm).
2. Les armoires sous le comptoir doivent être distantes de 30" (76.2 cm). Assurez-vous qu'elles sont d'aplomb et de niveau avant d'y installer la cuisinière. Araser le rebord bombé à l'extrémité avant du comptoir pour obtenir un ajustement serré de 31½" (81 cm) entre les bords extérieurs de la table de cuisson et le comptoir.
3. Distancez les portes des armoires de 31" (78.7 cm) minimum afin qu'elles n'interfèrent pas avec l'ouverture de la porte du four.
4. Découpez le comptoir tel que montré à la page 17.
5. Si un dossier doit être installé, un nécessaire de service (kit) peut être commandé par l'intermédiaire de votre marchand.
6. Afin d'obtenir une installation maximale, les 3 côtés du comptoir recevant l'appareil doivent être plats et à niveau. Tous les ajustements adéquats afin que le comptoir soit plat doivent être faits sinon des espaces entre l'appareil et le comptoir peuvent se produire.
7. **⚠ MISE EN GARDE** Pour éviter d'endommager l'appareil, ne pas le saisir ou le manipuler par la vitre de la surface de cuisson. Manipulez-le avec soin.
8. Placez l'appareil devant l'ouverture du comptoir.
9. Assurez-vous que la surface de cuisson vitrifiée allant par dessus le comptoir est plus haute que le comptoir. Si tel n'est pas le cas, levez l'appareil en baissant les pattes de nivellement.
10. **Nivelez la cuisinière** (voir la section 9). Le plancher qui supporte la cuisinière doit être de niveau.
11. Ajustez les vis de nivellement pour que le dessous de la table de cuisson repose au dessus du comptoir.
12. Doucement relevez les vis de nivellement arrière afin que la surface vitrifiée touche à peine le comptoir. La surface vitrifiée ne doit pas supporter l'appareil.
13. Glissez l'appareil dans l'ouverture du comptoir.
14. Finalement, relevez doucement les vis de nivellement avant (comme en 11) jusqu'à ce que la surface vitrifiée touche à peine le comptoir.
15. Si la cuisinière n'est plus de niveau, tirez-la hors du découpage et réajustez les vis de nivellement ou assurez-vous que le plancher est bien au niveau.

### Installation pour découpages de 29" (73.7 cm).

1. Vous devez remplacer les moulures latérales actuelles par de nouvelles moulures plus petites. Vous pouvez commander ces moulures en appelant à un centre de service.
2. Installez vos nouvelles moulures à la place des moulures actuelles, en suivant les instructions fournies avec les

nouvelles moulures.

3. Assurez-vous que le dégagement du comptoir est préparé pour les découpages de 29" (73.7 cm) de large. Voir la section "Préparation du dessus de comptoir" en page 19.
4. Installez l'appareil dans l'armoire tel que décrit à la section précédente.

### Installation avec un dossier

La profondeur du découpage de 21¾" (55.2 cm) minimum et 22 1/8" (56.2cm) maximum doit être augmentée à 24" (61 cm) lorsqu'un dossier est installé sur l'appareil.

### Installation de panneaux latéraux

Distancez les portes des armoires de 31" (78.7 cm) minimum afin qu'elles n'interfèrent pas avec l'ouverture de la porte du four.

## 9. Mise à niveau de la cuisinière

**Mettez la cuisinière de niveau et ajustez la hauteur de la table de cuisson avant de l'installer dans le découpage du comptoir.**

1. Installez une grille au centre du four.
2. Déposez un niveau à bulle sur la grille (voir la figure 8). Prenez 2 lectures en plaçant le niveau en diagonale dans une direction, puis dans l'autre direction. Si nécessaire, ajustez les vis de nivellement à l'aide d'une clé (reportez-vous à la figure 14).
3. Glissez délicatement la cuisinière, en faisant attention de ne pas abîmer le dessus du comptoir, dans le découpage du comptoir et vérifiez si elle est encore de niveau.

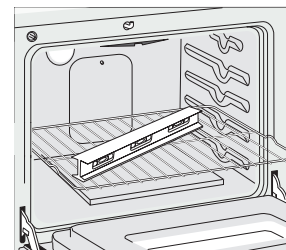


Figure 8

## 10. Vérification du Fonctionnement

Référez-vous au Guide de l'utilisateur inclus avec la cuisinière pour les directives de fonctionnement et pour l'entretien et le nettoyage de votre cuisinière.

Enlevez tout le matériel d'emballage du four avant de commencer les essais.

### 9.1 Mise en place des bases et des couvercles de brûleurs

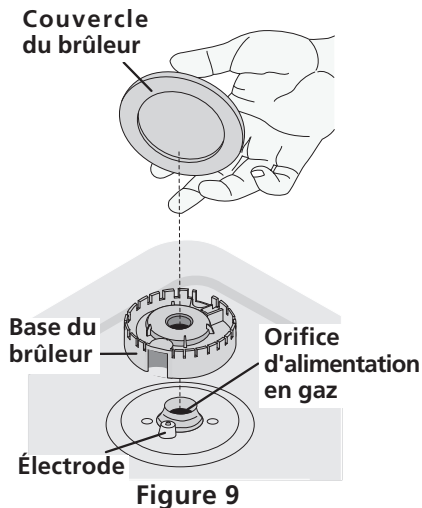
Cette cuisinière est munie de brûleurs scellés comme il est illustré à la figure 9.

- A. Déballez les bases et les couvercles de brûleur.
- B. Placez les bases de brûleurs au-dessus de chaque orifice d'alimentation.
- C. Vérifiez que le brûleur est correctement aligné et à niveau. Placez le couvercle sur la base de brûleur appropriée.

# INSTRUCTIONS D'INSTALLATION POUR CUISINIÈRE SUR PIEDS DE 30" À GAZ

(Modèles avec brûleurs fermés)

**NOTE :** Aucun réglage de brûleur n'est nécessaire dans ce genre de cuisinière.



## 10.2 Branchez l'alimentation en électricité et ouvrez le robinet principal d'alimentation en gaz

### 10.3 Vérifiez les allumeurs

Il faut vérifier le fonctionnement des allumeurs électriques après que la cuisinière et les raccords du tuyau d'alimentation aient été eux-mêmes vérifiés relativement aux fuites et que la cuisinière ait été branchée à la prise de courant.

Pour vérifier si l'allumage est adéquat :

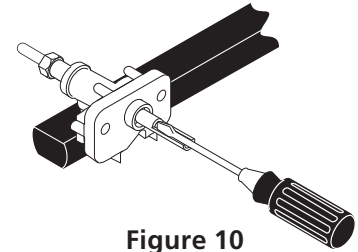
- Appuyez sur le bouton de commande d'un brûleur de surface et tournez-le à la position «LITE». Vous entendrez les étincelles de l'allumeur électrique qui allume le brûleur.
- Le brûleur de surface doit s'allumer lorsque le gaz est disponible au brûleur supérieur. En fonctionnement normal, chaque brûleur doit s'allumer dans un délai de quatre (4) secondes après que l'air ait été purgé des canalisations d'alimentation. Regardez si le brûleur est allumé.
- Une fois le brûleur allumé, le bouton de commande doit être tourné à une autre position que LITE.

Il existe des dispositifs d'allumage séparés pour chaque brûleur. Essayez chaque bouton séparément jusqu'à ce que tous les robinets de brûleur aient été vérifiés.

### 10.4 Réglez la position LOW des robinets des brûleurs de surface (voir Figure 10)

- Appuyez sur une commande et tournez-la à LITE jusqu'à ce que le brûleur s'allume.
- Tournez rapidement le bouton à la position la plus basse (LOW).
- Si le brûleur s'éteint, ajustez le robinet comme suit: Remettez le bouton de commande à arrêt (OFF). Enlevez le bouton de commande du brûleur de surface, insérez un tournevis à pointe droite fine dans la tige creuse du robinet et insérez dans la tête de la vis. La hauteur de la flamme peut être augmentée ou diminuée en tournant la vis. Ajustez la flamme

jusqu'à ce que vous puissiez tourner rapidement le bouton de LITE à la plus basse position (LOW) sans éteindre la flamme. Celle-ci devrait être aussi minuscule que possible sans s'éteindre.



## 10.5 Fonctionnement et réglage des brûleurs du four.

### 10.5.1 Brûleurs à allumage électrique

Le fonctionnement des allumeurs électriques devrait être vérifié après que la cuisinière et l'arrivée de gaz aient été vérifiées minutieusement pour détecter les fuites et que la cuisinière ait été branchée au réseau électrique.

Le brûleur du four est muni d'un allumeur électrique ainsi que d'un système de commande électrique. Si votre modèle est muni d'un brûleur de rôtisserie à alimentation par prise unique, il aura également un allumeur électrique. Ces systèmes de commande ne nécessitent aucun ajustement. Lorsque le fourneau sera prêt à fonctionner, le courant parviendra à l'allumeur qui deviendra incandescent et lorsqu'il aura atteint la température d'ignition du gaz, la valve de commande du four commandée électroniquement s'ouvrira et une flamme apparaîtra au brûleur du fourneau. Il y a un délai de 30 à 60 secondes après que le thermostat soit mis en position "ON" et le moment que la flamme apparaisse au brûleur du fourneau. Lorsque le four atteint la température réglée au cadran, l'allumeur s'éteint. La flamme du brûleur s'éteint entre 20 et 30 secondes après que l'allumeur eut été coupé. Ce cycle continuera pour maintenir toute température réglée jusqu'à ce que l'indicateur/cadran soit remis à "OFF".

Après avoir enlevé tout matériel d'emballage et la documentation du four,

- Réglez le four pour cuire "BAKE" à 300°F. Voir le Guide d'utilisation et d'entretien pour les directives d'opération.
- Le brûleur du four devrait s'allumer en dedans de 60 secondes. Vérifiez si la flamme est convenable, répétez la procédure une autre fois et remettez le bouton de commande à la position Arrêt (OFF).
- Si votre modèle est muni d'un brûleur de rôtisserie à alimentation par prise unique, réglez le fourneau à rôtissage (BROIL). Voir le Guide d'utilisation et d'entretien pour les directives d'opération.
- Le brûleur de la rôtisserie devrait s'allumer en dedans de 60 secondes. Vérifiez si la flamme est convenable et remettez le bouton de commande à "OFF".

# INSTRUCTIONS D'INSTALLATION POUR CUISINIÈRE SUR PIEDS DE 30" À GAZ (Modèles avec brûleurs fermés)

## 10.5.2 Brûleur du fourneau à clapet d'air

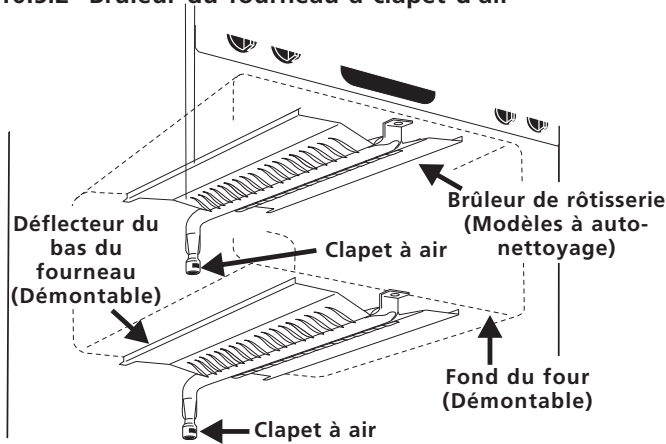


Figure 11

La longueur approximative de la flamme du brûleur du fourneau est de 1" (25 mm) (centre de flamme bleu distinct).

Pour déterminer si la flamme du brûleur du four est adéquate, enlevez le fond du four et l'enceinte du brûleur et réglez la commande du four à 300°F.

Enlevez les vis de maintien à l'arrière du fond du fourneau pour pouvoir retirer le fond du fourneau. Soulevez à l'arrière, dégagez le fond avant du cadre du four et retirez le fond du fourneau hors de celui-ci. Enlevez l'enceinte du brûleur pour voir la flamme. Si la flamme est de couleur jaune, augmentez l'ouverture du clapet d'air (voir "2" à la figure 12). Si la flamme est bleue, réduisez l'ouverture du clapet d'air.

Pour faire le réglage, desserrez la vis de blocage ("3" à la figure 12), repositionnez le clapet d'air et serrez la vis de blocage. Replacez le fond du fourneau.

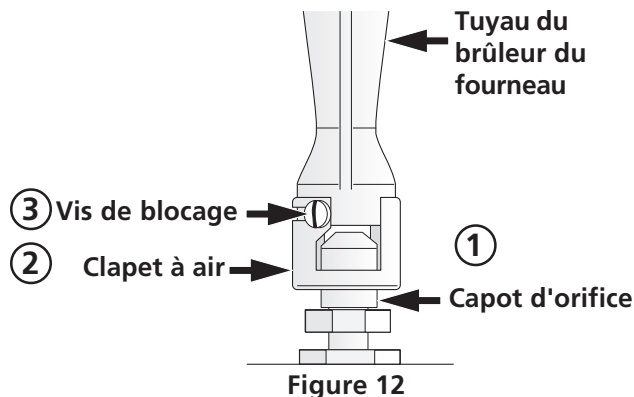


Figure 12

## 10.5.3 Brûleur de la rôtisserie à clapet d'air

La longueur approximative de la flamme du brûleur du fourneau est de 1" (25 mm) (centre de flamme bleu distinct). Pour déterminer si la flamme du brûleur de la rôtisserie est adéquate, réglez le fourneau à "BROIL". Si la flamme est de couleur jaune, augmentez l'ouverture du clapet d'air (voir "2" à la figure 12). Si la flamme est bleue, réduisez l'ouverture du clapet d'air. Pour faire le réglage, desserrez la vis de blocage ("3" à la figure 12), repositionnez le clapet d'air et serrez la vis de blocage.

## Lorsque tous les raccords sont terminés

Vérifiez que toutes les commandes sont en position d'arrêt (OFF).

Assurez-vous que la circulation d'air de combustion et de ventilation à la cuisinière n'est pas obstruée.

## Emplacement des numéros de modèle et de série

La plaque signalétique est située sur le châssis avant du four, derrière la porte du four (certains modèles) ou sur le côté du tiroir (certains modèles).

Lorsque vous commandez des pièces ou pour toute demande de renseignements au sujet de votre cuisinière, assurez-vous de toujours inclure les numéros de modèle et de série et un numéro de lot ou une lettre de la plaque signalétique de votre cuisinière.

La plaque signalétique vous donne également la capacité des brûleurs, le type de carburant et la pression à laquelle la cuisinière a été réglée au moment de l'expédition.

## Avant d'appeler le service d'entretien

Réviser la liste de vérifications préventives et les instructions d'opération dans votre Guide de l'utilisateur. Vous sauverez probablement du temps et de l'argent. La liste contient les événements ordinaires qui ne résultent pas de défauts dans le matériel ou la fabrication de cet appareil.

Référez-vous à votre Guide de l'utilisateur pour les numéros de téléphone pour nous rejoindre.



# INSTRUCTIONS D'INSTALLATION POUR CUISINIÈRE SUR PIEDS DE 30" À GAZ (Modèles avec brûleurs fermés)

## 11. Instructions de sécurité importantes

**⚠️ AVERTISSEMENT** Pour réduire le risque de basculement de la cuisinière, protégez-la en installant les vis et les supports anti-basculés fournis. Ils sont situés dans un sac de plastique dans le four. Si vous n'installez pas ces supports anti-basculés, la cuisinière risque de basculer si un poids excessif est placé sur une porte ouverte ou si un enfant y grimpe. Les renversements de liquides chauds ou le basculement de la cuisinière peuvent provoquer de sérieuses blessures.

Suivez les instructions ci-dessous pour installer les supports anti-basculés.

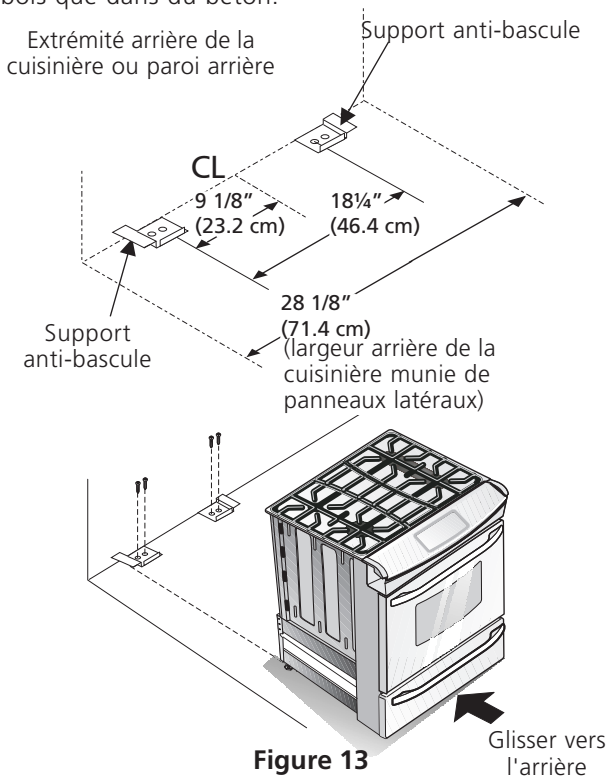
Si vous déplacez la cuisinière pour l'installer à un autre endroit, vous devez également déplacer les supports anti-basculés pour les installer avec la cuisinière. Voyez l'étape 5 pour vérifier comment procéder à une installation correcte.

### Outils Requis :

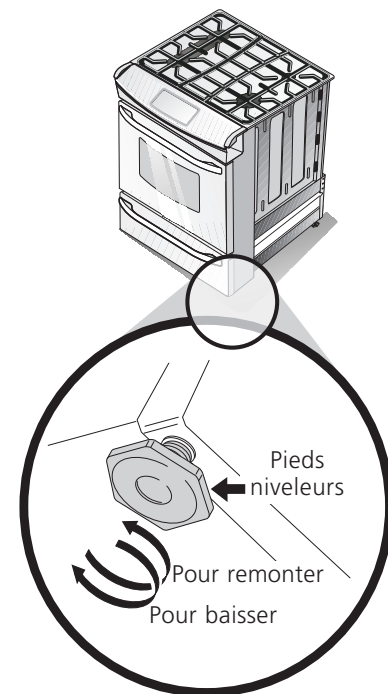
Tourne écrou de 5 /16" (0,79 cm) ou tournevis à tête carrée  
Clé à molette  
Perceuse électrique  
Foret de 3/16" (0,48 cm) de diamètre  
Foret de maçonnerie de 3 /16" (0,48 cm) diamètre (si l'installation se fait dans du béton)

### Instructions d'installation des supports anti-basculés

Les supports anti-basculés se fixent au plancher, à l'arrière de la cuisinière, pour retenir les deux pieds niveleurs. En les fixant au plancher, assurez-vous que les vis ne pénètrent pas dans la plomberie ou le câblage électrique. Les vis fournies fonctionneront aussi bien dans du bois que dans du béton.



1. Dépliez le gabarit de papier et placez-le à plat sur le plancher, l'endos et les extrémités des côtés exactement à l'endroit où l'arrière et les côtés de la cuisinière seront placés lors de l'installation (utilisez le diagramme ci-dessous pour localiser les supports anti-basculés si le gabarit de papier n'est pas disponible (Figure 13)).
2. Tracez sur le plancher l'emplacement des 4 trous de montage indiqués sur le gabarit. Pour faciliter l'installation, des trous pilotes d'un 1/2" (1.3 cm) de profondeur et 3/16" (0.5 cm) de diamètre peuvent être percés dans le plancher.
3. Enlevez le gabarit et placez les supports anti-basculés sur le plancher, le rebord renversé vers l'avant. Alignez les trous dans les supports anti-basculés avec les trous tracés sur le plancher et fixez avec les 4 vis fournies. Les supports anti-basculés doivent être fixés sur un plancher solide. Si vous les fixez à un plancher en béton, percez d'abord des trous pilotes de 3/16" (0.5 cm) de diamètre à l'aide d'un foret à maçonnerie de 3/16" (0.5 cm) diamètre.
4. Mettez la cuisinière à niveau au besoin, en l'ajustant avec les 4 pieds niveleurs à l'aide d'une clé à molette (voir Figure 14). Un dégagement minimum de 1/8" (0.3 cm) est requis entre le bas de la cuisinière et les pieds niveleurs arrière pour disposer de suffisamment d'espace pour installer les supports anti-basculés.
5. Remplacez la cuisinière en la faisant glisser, en vous assurant que les pieds arrière ont été bien agrippés par les extrémités des supports anti-basculés. Il est possible que vous ayez à la déplacer légèrement d'un côté en la repoussant vers l'arrière pour que les pieds arrière s'alignent avec les supports anti-basculés. Agrippez le dessus de l'extrémité arrière de la cuisinière et essayez soigneusement de l'incliner vers l'avant pour vous assurer que la cuisinière est correctement ancrée.

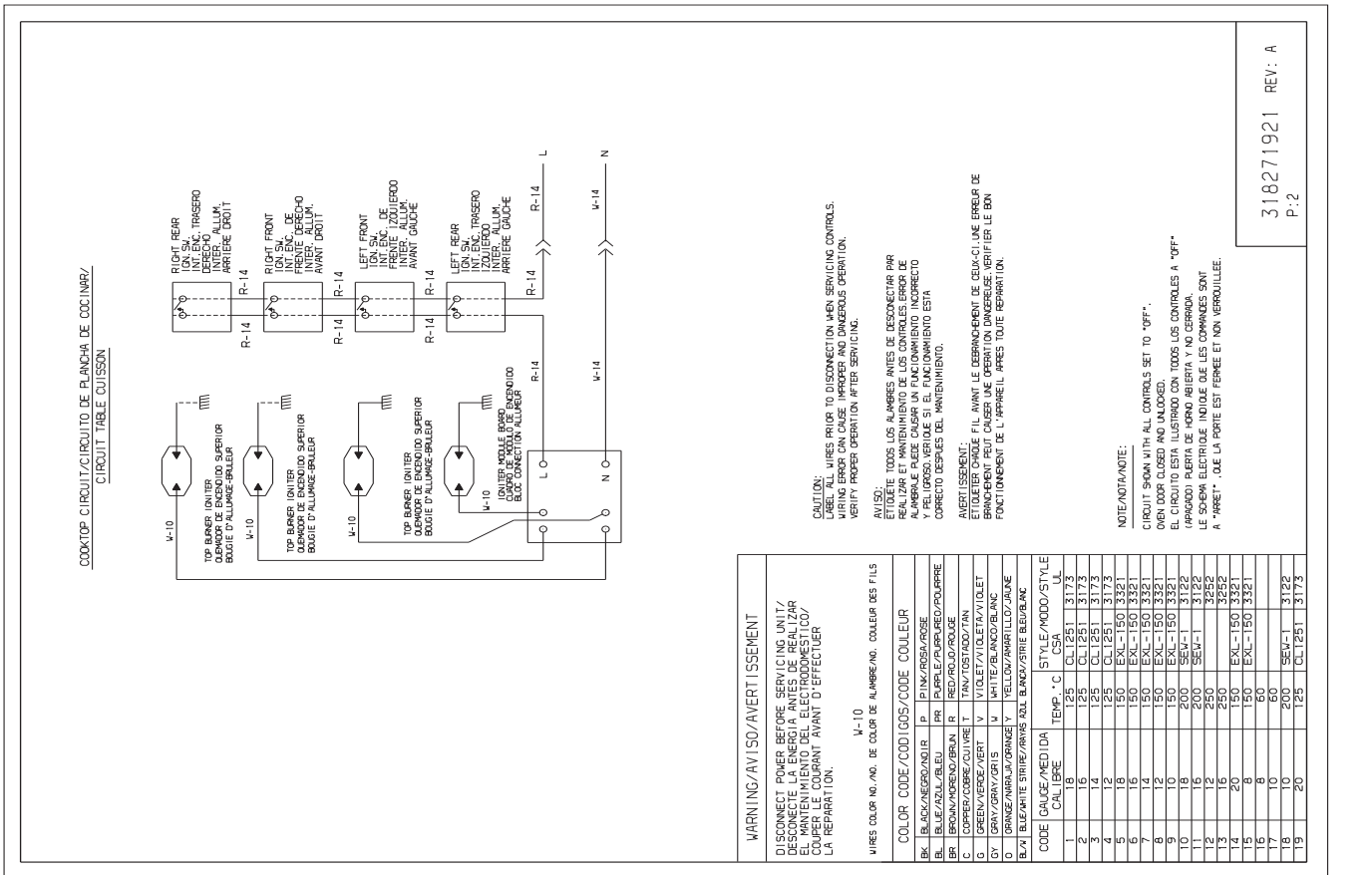
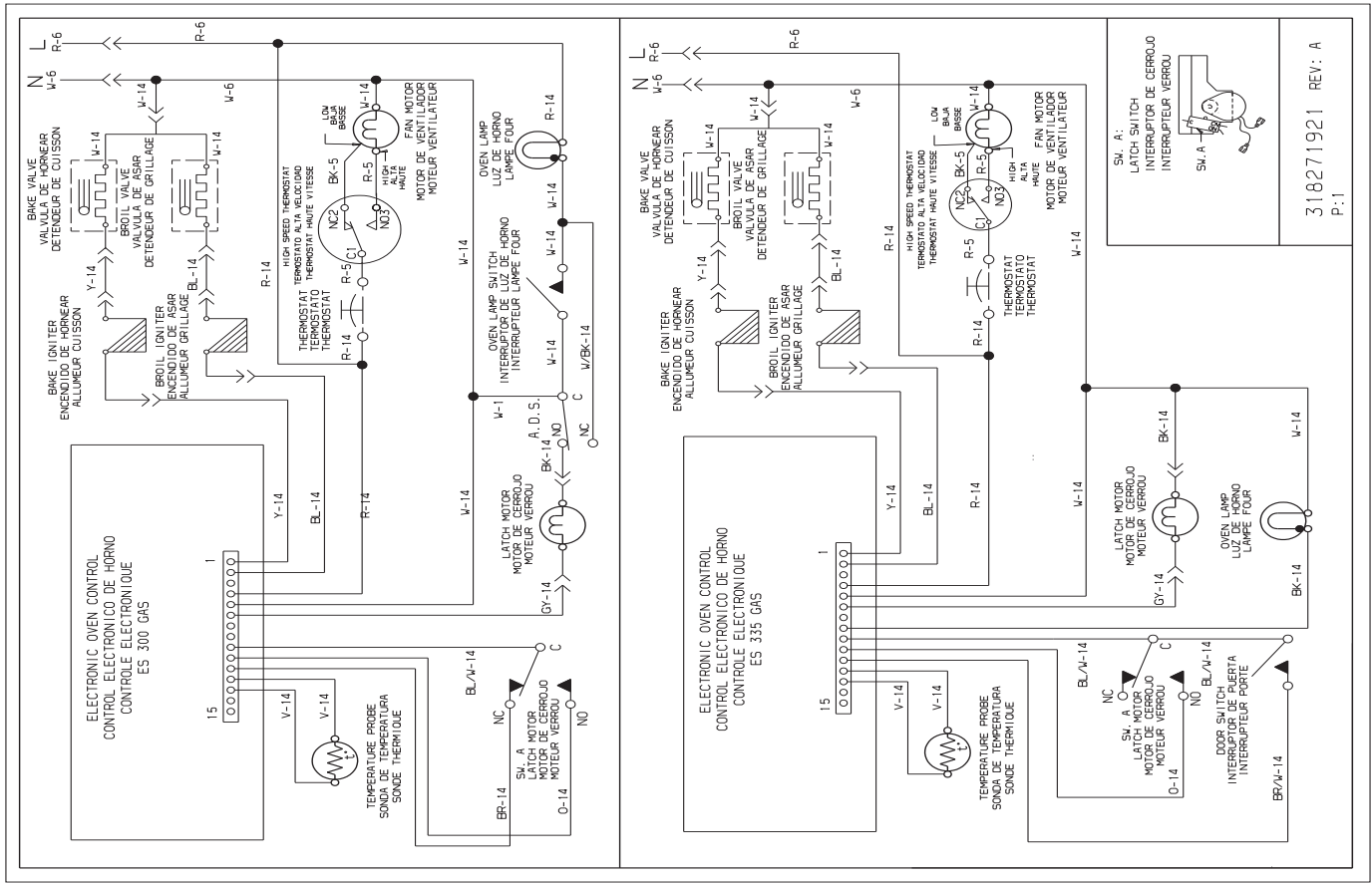


# INSTRUCTIONS D'INSTALLATION POUR CUISINIÈRE SUR PIEDS DE 30" À GAZ

(Modèles avec brûleurs fermés)

## Notes

# WIRING DIAGRAM - SCHÉMA DE CÂBLAGE



**WARNING/AVISO/AVERTISSEMENT**  
 DISCONNECT POWER BEFORE SERVICING UNIT/  
 DESCONECTE LA ENERGÍA ANTES DE REALIZAR  
 EL MANTENIMIENTO DEL ELECTRODOMESTICO/  
 COUPER LE COURANT AVANT D'EFFECTUER  
 LA REPARATION.

**WIRE COLOR NO./NO. DE COLOR DE ALAMBRE/NO. COULEUR DES FILS**

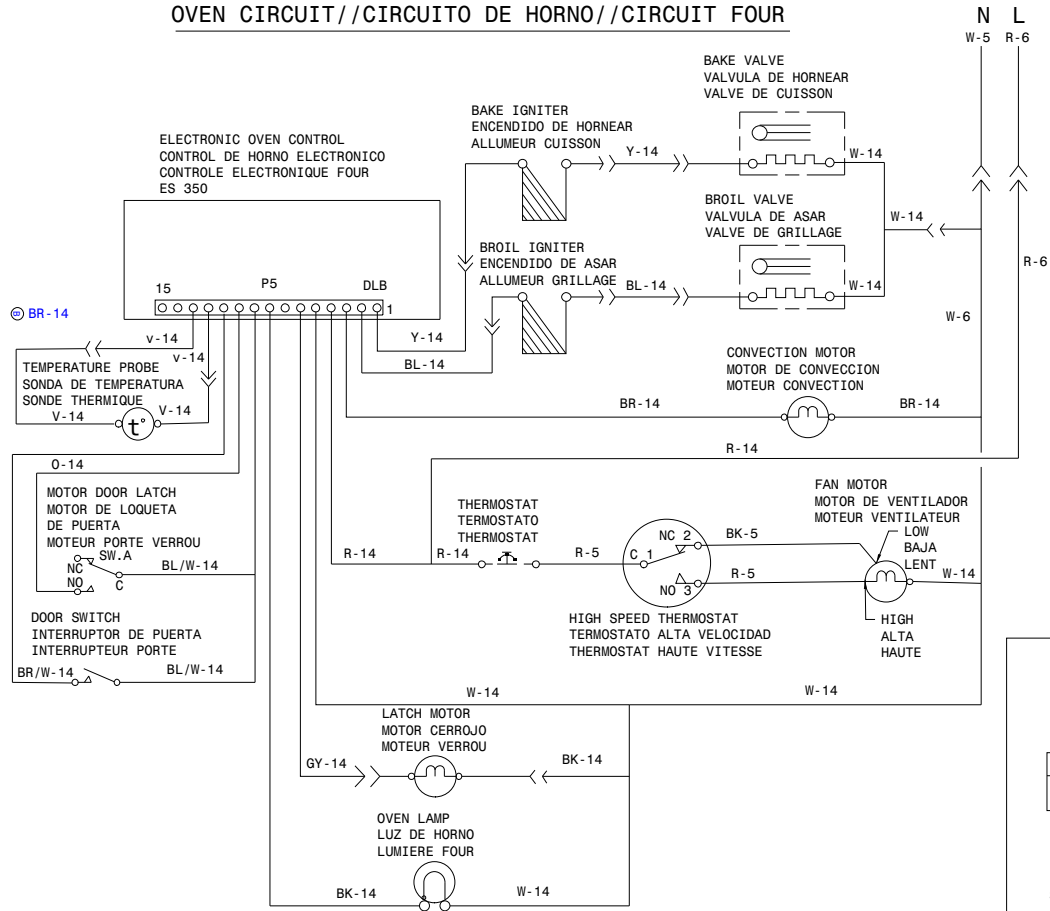
CODE	COLOR/MEDIA	TEMP. °C	CSA	STYLE
1	BLACK	150	UL	150
2	RED	125	UL	125
3	BLUE	125	UL	125
4	GREEN	125	UL	125
5	BROWN	150	UL	150
6	ORANGE	150	UL	150
7	PURPLE	150	UL	150
8	YELLOW	150	UL	150
9	PINK	150	UL	150
10	WHITE	150	UL	150
11	BLACK	150	UL	150
12	RED	125	UL	125
13	BLUE	125	UL	125
14	GREEN	125	UL	125
15	BROWN	150	UL	150
16	ORANGE	150	UL	150
17	PURPLE	150	UL	150
18	YELLOW	150	UL	150
19	PINK	150	UL	150
20	WHITE	150	UL	150

**NOTE/NOTA/NOTIE:**  
 CIRCUIT SHOWN WITH ALL CONTROLS SET TO "OFF".  
 OVEN DOOR CLOSED AND UNLOCKED.  
 EL CIRCUITO ESTA ILUSTRADO CON TODOS LOS CONTROLES A "OFF".  
 (APAGADO) PUERTA DE HORNO ABIERTA Y NO CERRADA.  
 LE SCHEMA ELECTRIQUE INDIQUE QUE LES COMMANDES SONT  
 A "ARRÊT" .QUE LA PORTE EST FERMÉE ET NON VERROUILLÉE.

318271921 REV. A  
P.2

# WIRING DIAGRAM - SCHÉMA DE CÂBLAGE

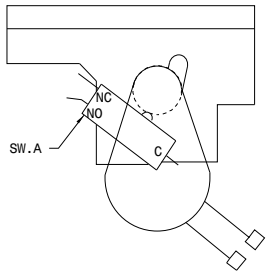
## OVEN CIRCUIT//CIRCUITO DE HORNO//CIRCUIT FOUR



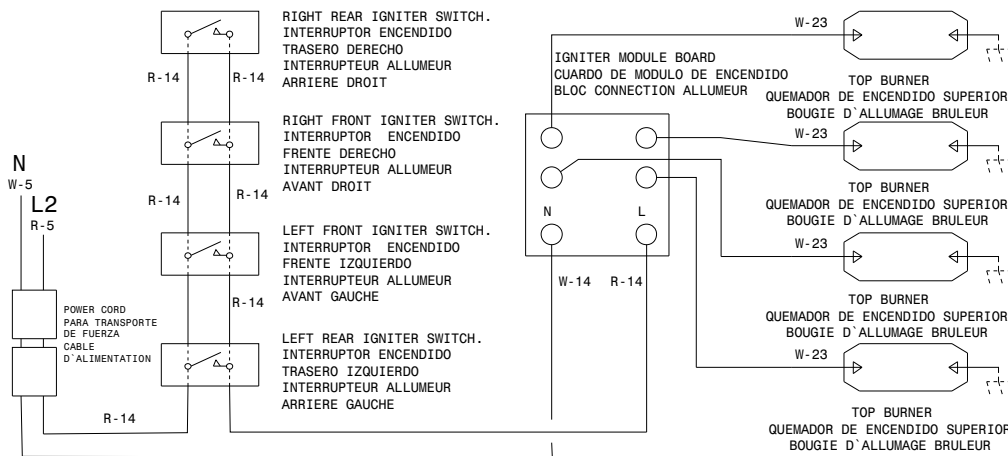
### COLORS/CODIGOS/CODE COULEUR

BK. -BLACK/NEGRO/NOIR  
G. -GREEN/VERDE/VERT  
W. -WHITE/BLANCO/BLANC  
R. -RED/ROJO/ROUGE  
O. -ORANGE/NARANJA/ORANGE  
Y. -YELLOW/AMARILLO/JAUNE  
BR. -BROWN/MORENO/BRUN  
BL. -BLUE/AZUL/BLEU

SW. A  
LATCH MOTOR  
MOTOR DE CERROJO  
MOTEUR VERROU



## COOKTOP CIRCUIT / CIRCUITO DE PLANCHA DE COCINAR / CIRCUIT TABLE CUISSON



CODE CODIGO CODE	GAUGE MEDIDA CALIBRE	TEMP. °C	CSA	UL
1	18	125	CL1251	3173
2	16	125	CL1251	3173
3	14	125	CL1251	3173
4	12	125	CL1251	3173
5	18	150	EXL-150	3321
6	16	150	EXL-150	3321
7	14	150	EXL-150	3321
8	12	150	EXL-150	3321
9	10	150	EXL-150	3321
10	18	200	SEW-1	3122
11	16	200	SEW-1	3122
12	12	250		3252
13	16	250		3252
14	20	150	EXL-150	3321
15	8	150	EXL-150	3321
16	8	60		
17	10	60		
18	10	200	SEW-1	3122
19	20	125	CL1251	3173
20	20	200	SEW-1	3122
21	22	125	CL-1251	3173
22	22	150	EXL-150	3321
23	18	200		3573

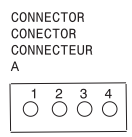
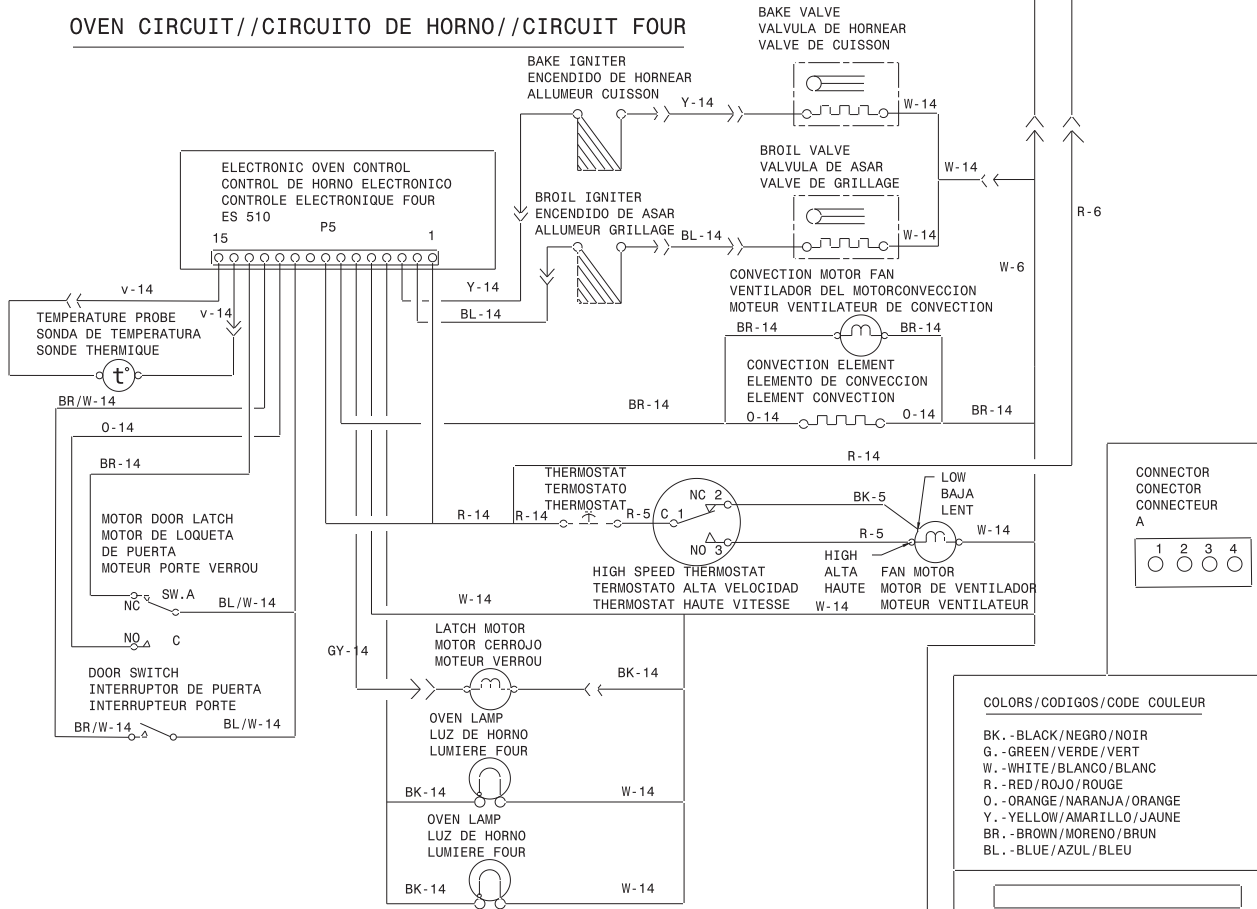
**CAUTION: DISCONNECT CURRENT BEFORE REMOVING REAR COVER.**  
**ATENCIÓN: CORTAR EL CORRIENTE ANTES DE REALIZAR EL MANTENIMIENTO DEL ELECTRODOMESTICO.**  
**ATTENTION: COUPEZ L'ALIMENTATION AVANT D'EFFECTUER LA REPARATION.**

**318271922 REV:B**



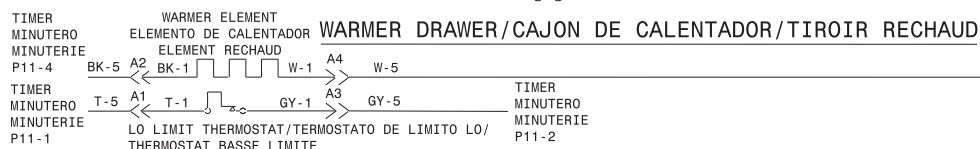
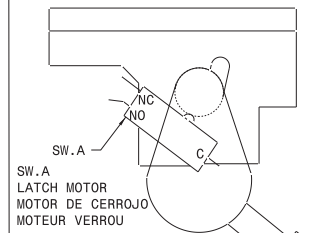
# WIRING DIAGRAM - SCHÉMA DE CÂBLAGE

## OVEN CIRCUIT//CIRCUITO DE HORNO//CIRCUIT FOUR

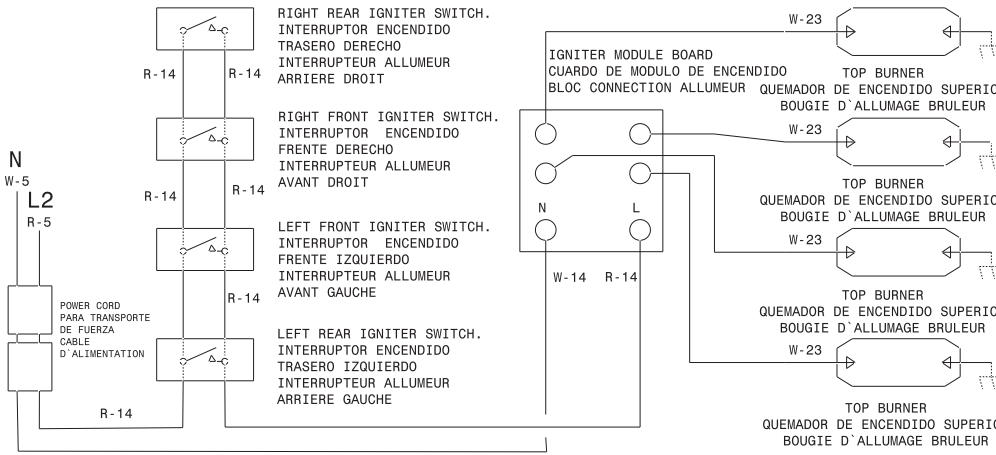


**COLORS/CODIGOS/CODE COULEUR**

- BK. - BLACK/NEGRO/NOIR
- G. - GREEN/VERDE/VERT
- W. - WHITE/BLANCO/BLANC
- R. - RED/ROJO/ROUGE
- O. - ORANGE/NARANJA/ORANGE
- Y. - YELLOW/AMARILLO/JAUNE
- BR. - BROWN/MORENO/BRUN
- BL. - BLUE/AZUL/BLEU



## COOKTOP CIRCUIT / CIRCUITO DE PLANCHA DE COCINAR / CIRCUIT TABLE CUISSON



CODE	GAUGE CODIGO MEDIDA CALIBRE	TEMP. °C	CSA	UL
1	18	125	CL1251	3173
2	16	125	CL1251	3173
3	14	125	CL1251	3173
4	12	125	CL1251	3173
5	18	150	EXL-150	3321
6	16	150	EXL-150	3321
7	14	150	EXL-150	3321
8	12	150	EXL-150	3321
9	10	150	EXL-150	3321
10	18	200	SEW-1	3122
11	16	200	SEW-1	3122
12	12	250		3252
13	16	250		3252
14	20	150	EXL-150	3321
15	8	150	EXL-150	3321
16	8	60		
17	10	60		
18	10	200	SEW-1	3122
19	20	125	CL1251	3173
20	20	200	SEW-1	3122
21	22	125	CL-1251	3173
22	22	150	EXL-150	3321
23	18	200		3573

**CAUTION: DISCONNECT CURRENT BEFORE REMOVING REAR COVER.**  
**ATENCIÓN: CORTAR EL CORRIENTE ANTES DE REALIZAR EL MANTENIMIENTO DEL ELECTRODOMESTICO.**  
**ATTENTION: COUPEZ L'ALIMENTATION AVANT D'EFFECTUER LA REPARATION.**

**318271923 REV:A**