

Frigidaire

Factory Parts Catalog

Product No.	FGS365EBA	FGS365EQA	FGS365ESA
	39354332C5061	39354332C5041	39354332C5011
Series	30" gas	30" gas	30" gas
Color	black	bisque	white
Market	North America	North America	North America
Wiring Diagram	318271921	318271921	318271921
Owner's Guide	318203854	318203854	318203854
Installation Instructions	318201673	318201673	318201673
Service Data Sheet	318127023	318127023	318127023
Timer Guide	318200184	318200184	318200184

 **Electrolux**

Electrolux Major Appliances
North & Latin America
P.O. BOX 212378
AUGUSTA, GA 30917

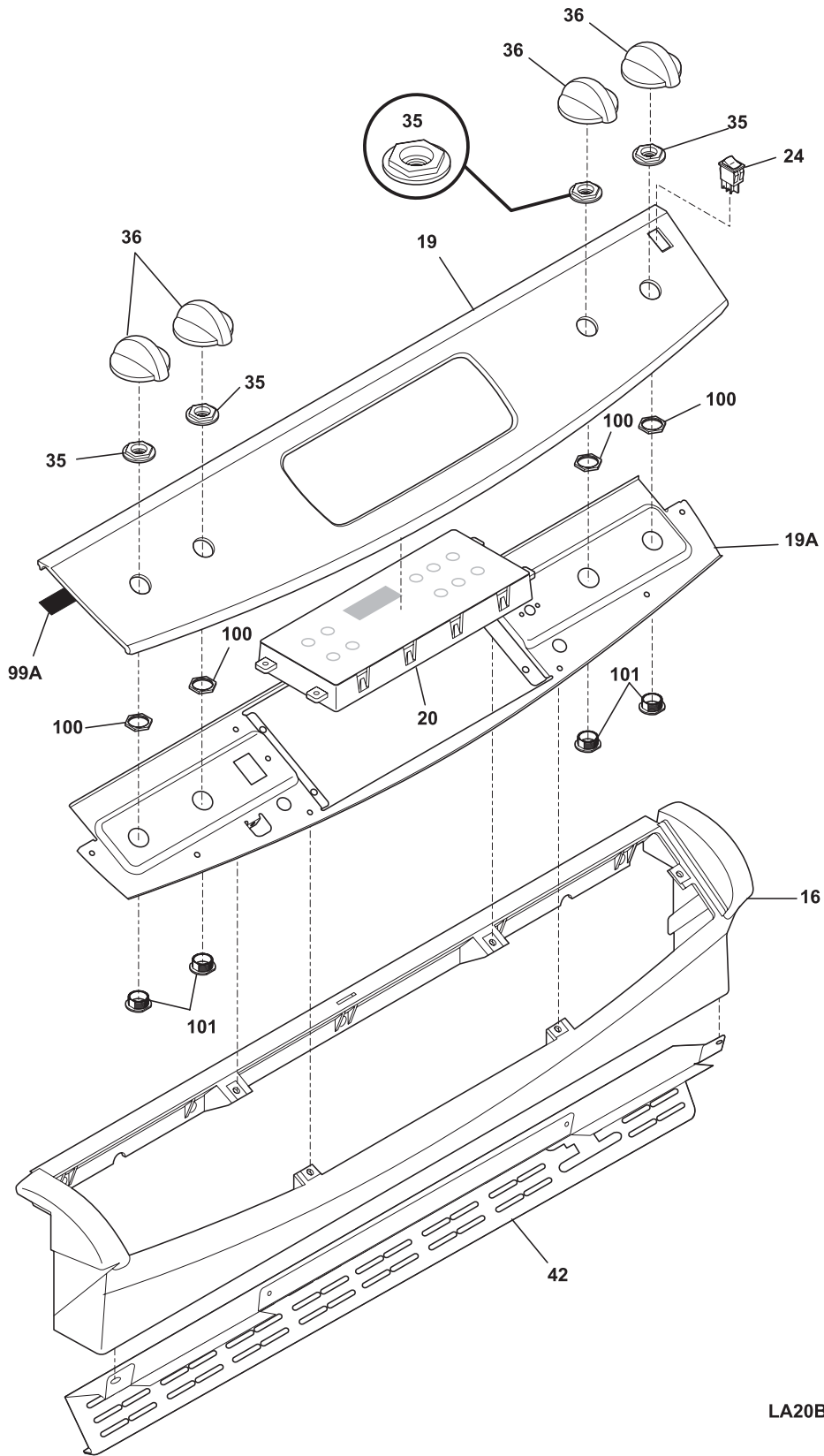
Publication No.
5995453593
05/11/08
(EN/SERVICE/ECL)
377

**30-INCH SLIDE-IN GAS
RANGE**

**Model No.
FGS365E**

Copyright © 2005 Electrolux Home Products, Inc.
All rights reserved.

BACKGUARD



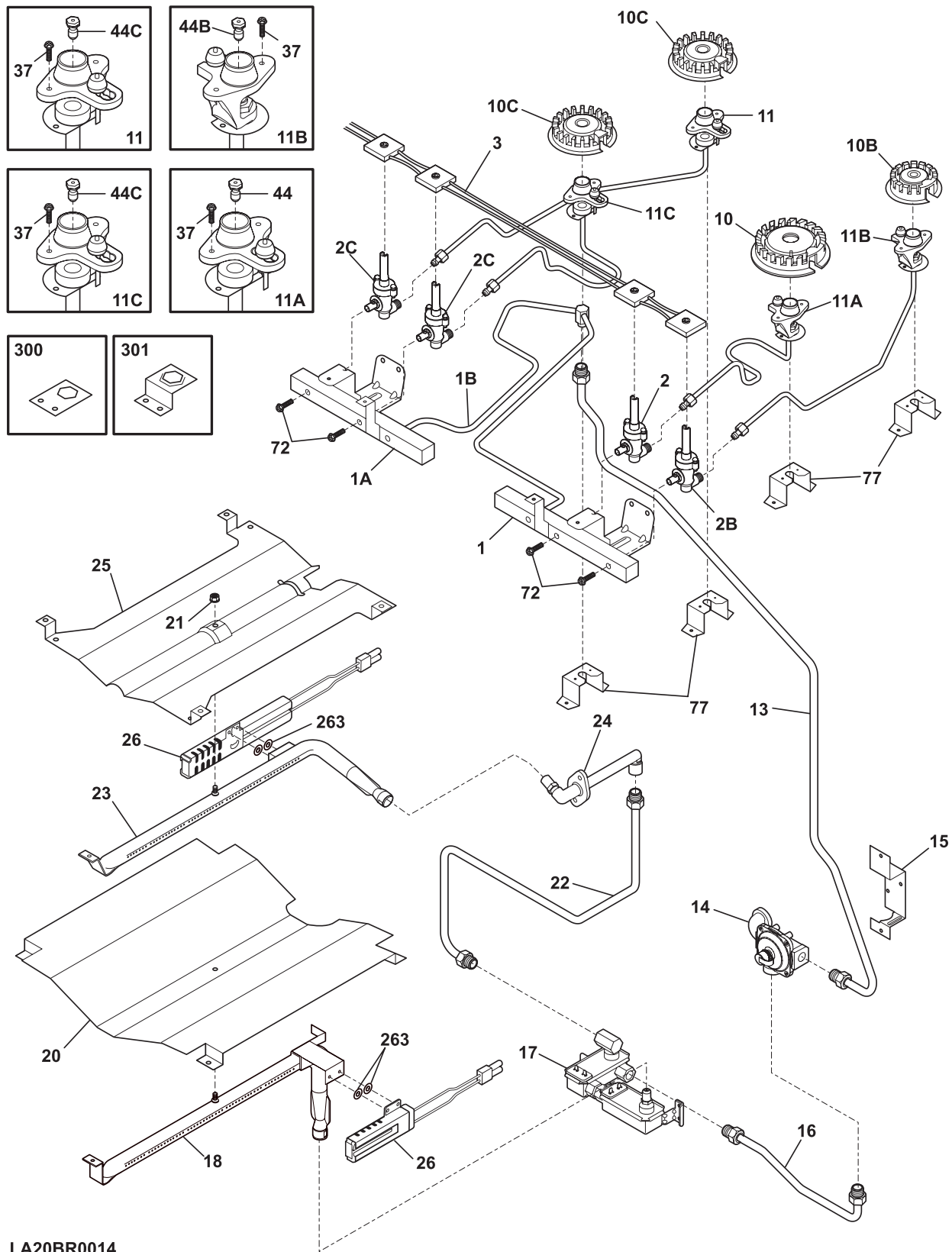
LA20BG0057

BACKGUARD

Model Index: A FGS365E (FGS365ESA)
 B FGS365E (FGS365EBA)
 C FGS365E (FGS365EQA)

POS. NO	PART NO.		DESCRIPTION
16	318299100	A - -	Console, assy., white
16	318299102	- B -	Console, assy., black
16	318299101	- - C	Console, assy., bisque
19	318235185	A - -	Panel, control, white
19	318235186	- B -	Panel, control, black
19	318235184	- - C	Panel, control, bisque
19A	318224402	A B C	Panel, control mtg.
20 #	318312402	A - -	Clock/Timer, electronic, white, ES300
20 #	318312404	- B -	Clock/Timer, electronic, black, ES300
20 #	318312403	- - C	Clock/Timer, electronic, bisque, ES300
20*	316419104	A - -	Overlay, clock, white, ES300
20*	316419103	- B -	Overlay, clock, black, ES300
20*	316419105	- - C	Overlay, clock, bisque, ES300
20*	5304451726	A B C	Screw, control mtg., 8-18 x 1/2"
24 #	316005607	A - -	Switch, rocker, white
24 #	316005602	- B -	Switch, rocker, black
24 #	318037520	- - C	Switch, rocker, bisque, oven light
35	318233721	A - -	Retainer, control panel, white
35	318233720	- B -	Retainer, control panel, black
35	318233722	- - C	Retainer, control panel, bisque
36	316223025	A - -	Knob, control, white
36	316223024	- B -	Knob, control, black
36	316223026	- - C	Knob, control, bisque
42	318298011	A B C	Trim, vent, black, upper
99A	318223900	A B C	Gasket, dark grey
100	318233800	A B C	Nut, hex
101	318233400	A B C	Bushing, retainer
*	08016432	A B C	Screw, truss head, 8-18 x 0.375
*	5303300265	A B C	Screw, 8-18 X 1/2, (2)
*	5303311333	A B C	Screw, 8-32 x 3/8

BURNER

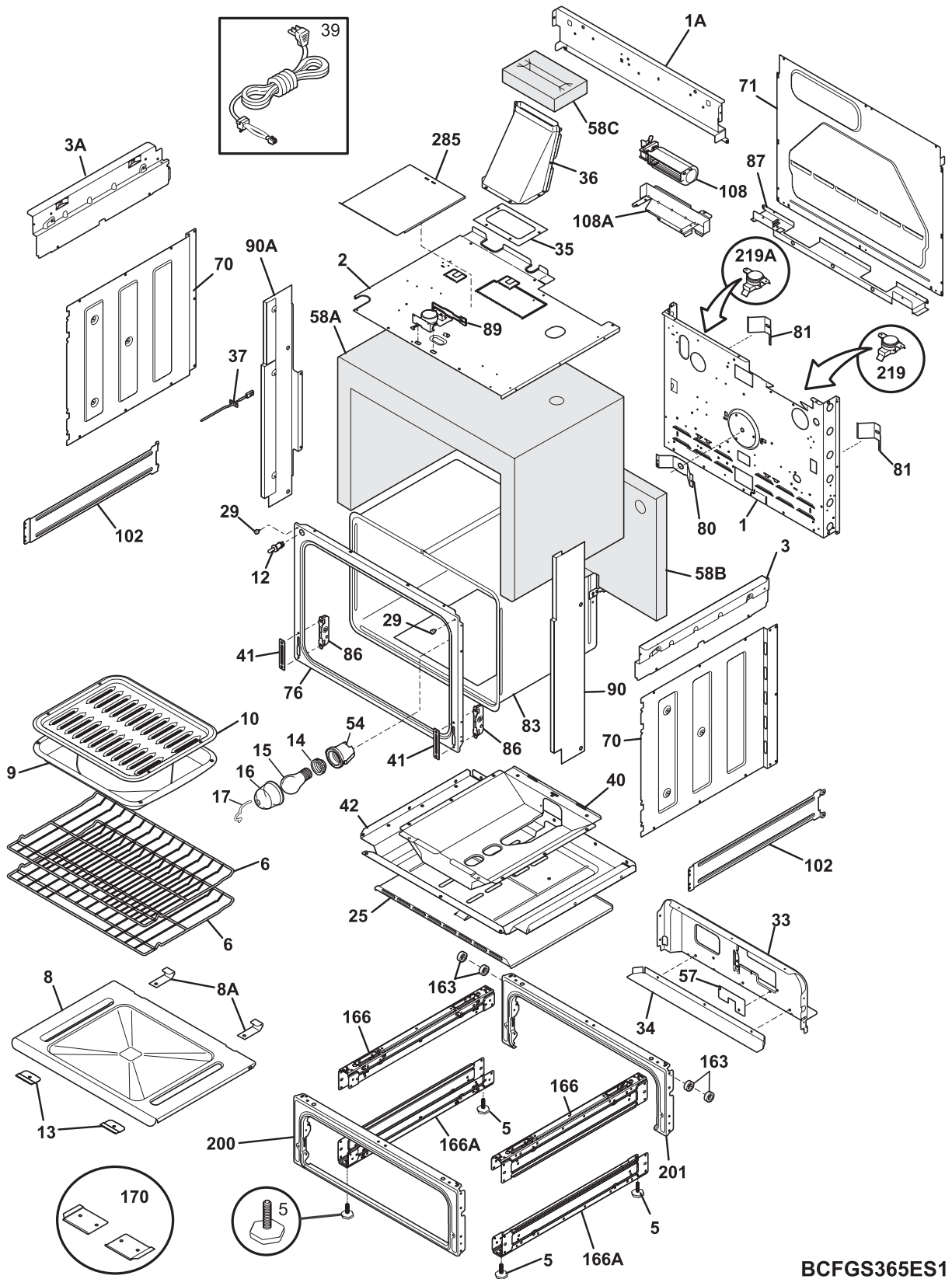


BURNER

Model Index: A FGS365E (FGS365ESA)
 B FGS365E (FGS365EBA)
 C FGS365E (FGS365EQA)

POS. NO	PART NO.		DESCRIPTION
1	318305600	A B C	Manifold, right side
1A	318305601	A B C	Manifold, left side
1B	318305401	A B C	Tube, manifold, 3/8, interconnect
2 #	318233920	A B C	Valve, top burner, 12000 BTU
2B #	318233900	A B C	Valve, top burner, 5000 BTU
2C #	318233910	A B C	Valve, top burner, 9500 BTU
3 #	318232600	A B C	Wiring Harness, w/igntr switch
10 #	316212300	A B C	Burner, sealed, 12K
10B#	316206400	A B C	Burner, sealed, 5K
10C#	316212400	A B C	Burner, sealed, 9.5K
11 #	318306305	A B C	Ignitor/orifice assy., top burner, left rear, 9.5K, w/holder, tube
11A#	318306306	A B C	Ignitor/orifice assy., top burner, right front, 12K, w/holder, tube
11B#	318306307	A B C	Ignitor/orifice assy., top burner, right rear, 5K, w/holder, tube
11C#	318306304	A B C	Ignitor/orifice assy., top burner, left front, 9.5K, w/holder, tube
13	318305100	A B C	Tube, regulator, to manifold
14 #	318269300	A B C	Regulator, pressure
14*	5303311306	A B C	Screw, 8-18 x 0.375, (3)
15	318262810	A B C	Bracket, regulator
16	318289500	A B C	Tube, regulator valve
17 #	316404900	A B C	Valve, safety
17*	318268600	A B C	Harness, wiring, valve
18 #	318292200	A B C	Burner, oven, 18000
20	318290400	A B C	Baffle, bake burner
21	3201885	A B C	Nut, Keps, 10-24
22	318305200	A B C	Tube, broil supply
23	318292300	A B C	Burner, broil, 14000
24 #	318267801	A B C	Mixer Elbow, broiler
*	5303323133	A B C	Screw, 8-18 x 0.500
25	316401301	A B C	Baffle, broil burner
26 #	316428600	A B C	Ignitor, burner
*	5303300195	A B C	Screw, 10-32 x 0.375, terminal block, (2)
37	5303307980	A B C	Screw, 8-32 x 0.437, (4)
44	316237901	A B C	Orifice, top burner, 12K
44B	316237903	A B C	Orifice, top burner, 5K
44C	316237902	A B C	Orifice, top burner, 9.5K
72	316215600	A B C	Screw, valve mtg., 1/4 - 20
77	318192600	A B C	Bracket, burner mtg. (5)
263	316136500	A B C	Washer, flat
300	318322303	A B C	Bracket, inlet, block
301	318322301	A B C	Bracket, inlet, short, block
*	318186908	A B C	LP Conversion Kit
*	318199725	A B C	Wiring Harness, ignitor
*	08011955	A B C	Screw, 10-24 x 0.375, square drive
*	5303211311	A B C	Screw, 8 x 0.500

BODY



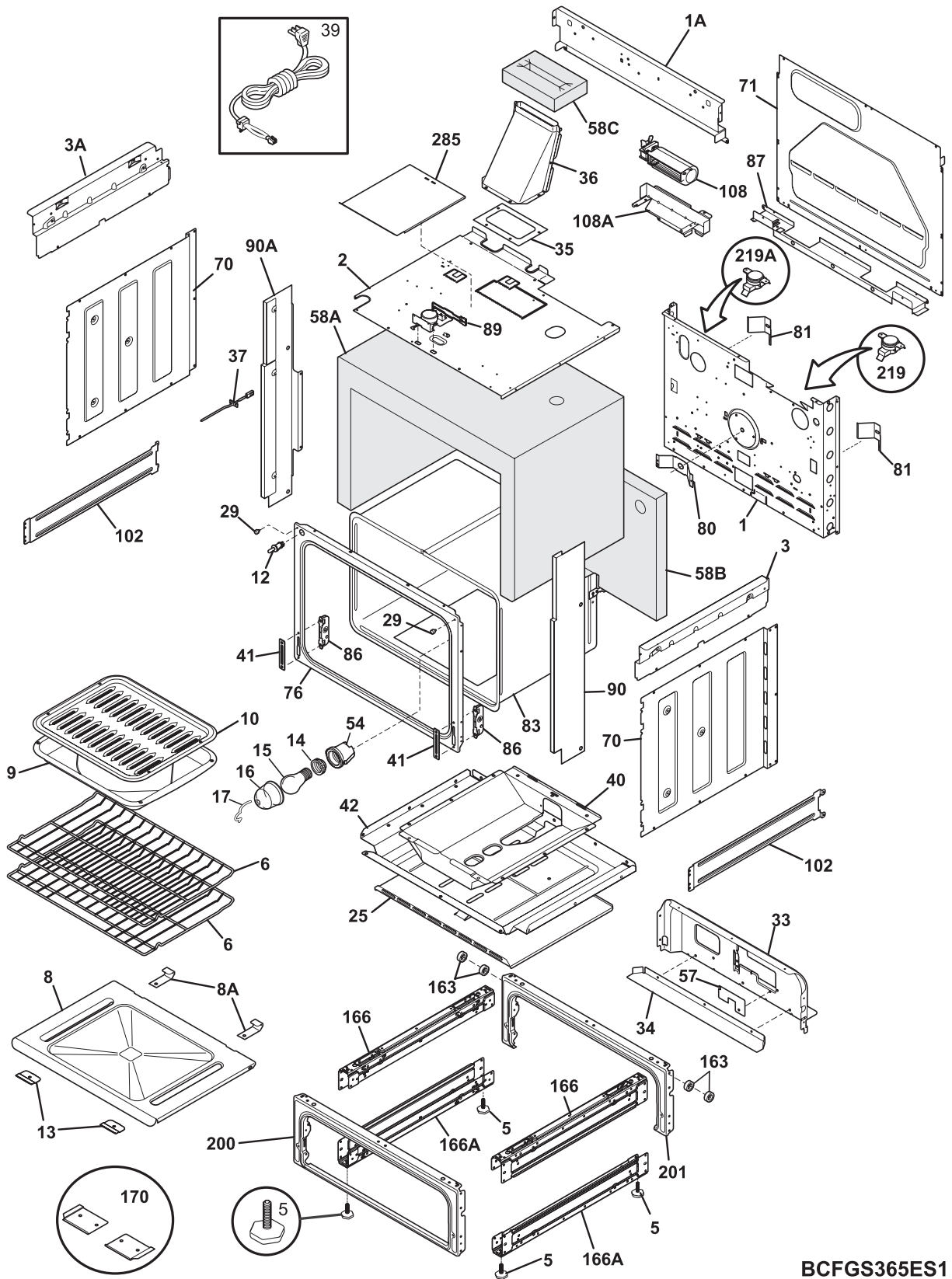
BCFGS365ES1

BODY

Model Index: A FGS365E (FGS365ESA)
 B FGS365E (FGS365EBA)
 C FGS365E (FGS365EQA)

POS. NO	PART NO.		DESCRIPTION
1	318259202	A B C	Back, main
1A	318225112	A B C	Panel, main back, upper
2	318258902	A B C	Shield, insulation, upper
3	318225210	A B C	Panel, bodyside, upper RH
3A	318225211	A B C	Panel, bodyside, upper LH
5	318175503	A B C	Screw, leveling
6	318262502	A B C	Rack, oven
8	318290501	A B C	Panel, oven, bottom
8A	318306700	A B C	Bracket, retainer, (2)
9	5303317977	A B C	Pan, broiler
10	5303317976	A B C	Insert, broiler pan
12 #	318089913	A B C	Switch, light
13	318327100	A B C	Bracket, oven bottom
14	318224000	A B C	Receptacle, oven light
15	5303013071	A B C	Bulb/Lamp, light
16	3201911	A B C	Cover, oven light, glass
17	5304400195	A B C	Retainer, light cover
25	318291900	A B C	Bracket, shield, lower
29	318147411	A B C	Bumper, (2)
33	318287800	A B C	Panel, valve mtg.
34	318289400	A B C	Panel, valve filler
35	318291300	A B C	Seal, flue cavity
36	318288801	A B C	Box, flue assy.
37 #	316217002	A B C	Probe, oven temp
39	318144008	A B C	Cord, service
40	318291800	A B C	Box, oven burner
41	5303310526	A B C	Cover, hinge cutout
42	318288700	A B C	Bracket, body, middle
54	318222400	A B C	Housing, oven light
57	318268300	A B C	Cover, burner opening
58A	318285084	A B C	Insulation, oven wrapper
58B	318285085	A B C	Insulation, oven back
58C	318285088	A B C	Insulation, flue, (3)
70	318259100	A B C	Shield, insulation, sides, (2)
71	318260007	A B C	Panel, rear box
76	318056217	A B C	Front, oven
80	5303320846	A B C	Plate, oven mtg
81	318192400	A B C	Spring, oven
*	5303323129	A B C	Screw, 8 X 0.750
83	318327001	A B C	Liner, oven
86	5303310524	A B C	Receptacle, hinge
87	318260604	A B C	Bracket, cable mtg.
89 #	318261202	A B C	Motor, latch assy
*	5304436875	A B C	Screw, 8-18 X 1/2, black
90	318296902	A - -	Panel, filler, white, RH
90	318296904	- B -	Panel, filler, black, RH
90	318296906	- - C	Panel, filler, bisque, RH
90A	318296903	A - -	Panel, filler, white, LH

BODY



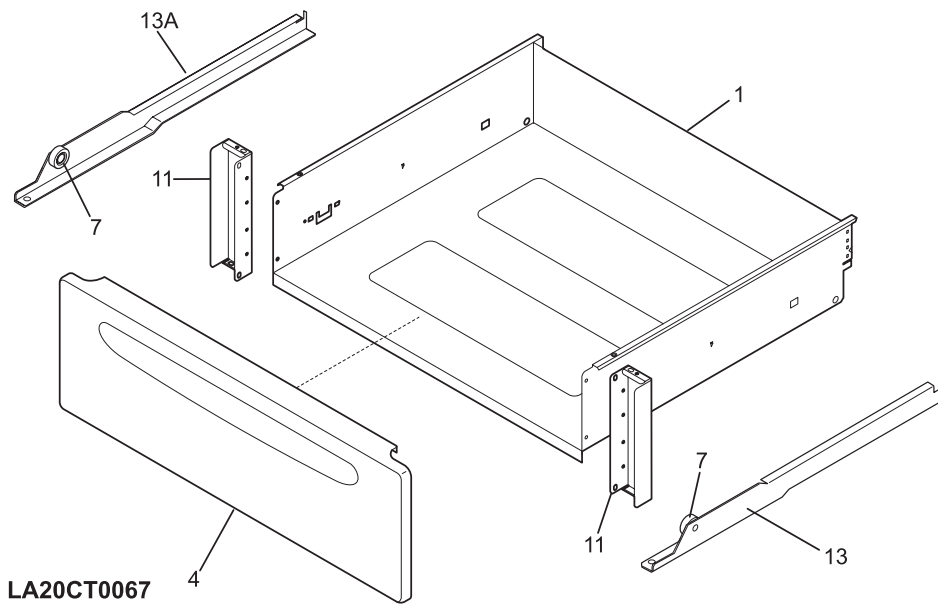
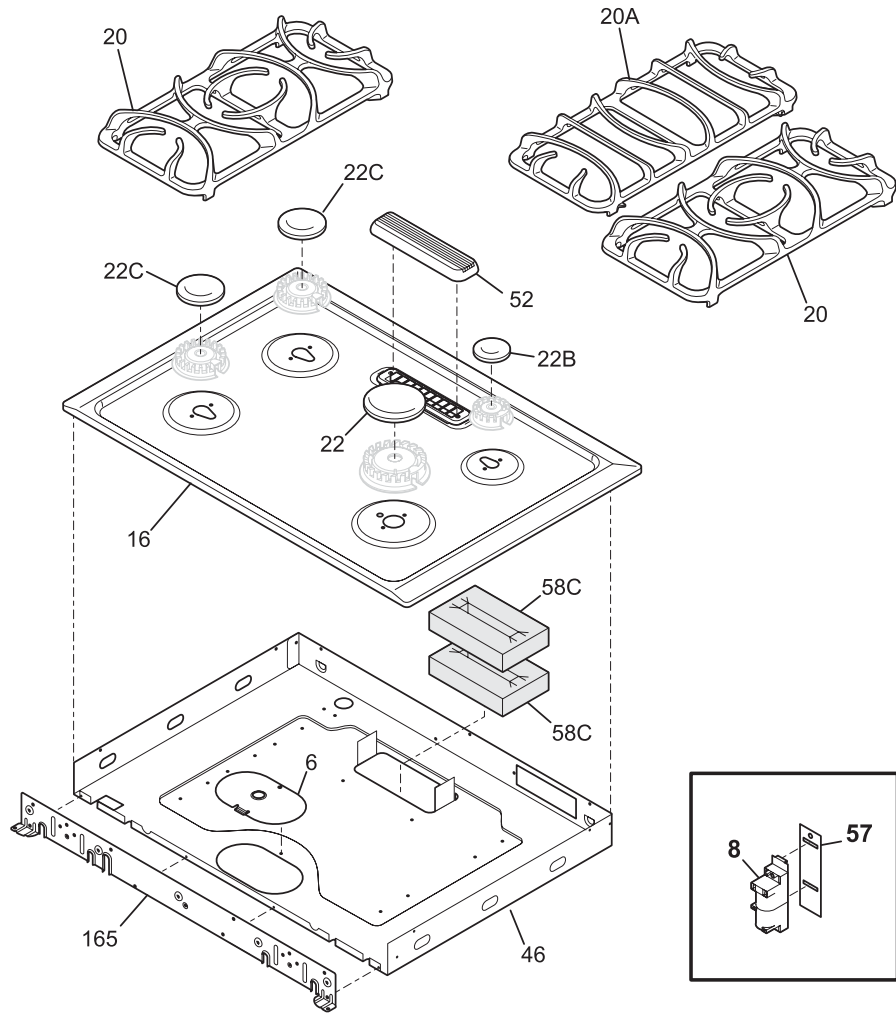
BCFGS365ES1

BODY

Model Index: A FGS365E (FGS365ESA)
 B FGS365E (FGS365EBA)
 C FGS365E (FGS365EQA)

POS. NO	PART NO.		DESCRIPTION
90A	318296905	- B -	Panel, filler, black, LH
90A	318296907	- - C	Panel, filler, bisque, LH
102	318327500	A B C	Panel, reinforcement
108#	318073018	A B C	Motor, blower
108A	318251300	A B C	Bracket, fan support
163	318014110	A B C	Spacer, (6)
166	318298401	A B C	Bracket, base support, upper, (2)
166A	318298402	A B C	Bracket, base support, lower, (2)
170	318335500	A B C	Anti-tip & accessories
200	318335600	A B C	Frame & Wheel Assembly, black
201	318298210	A B C	Frame, drawer
219#	318003614	A B C	Thermostat, safety
219A	318003613	A B C	Thermostat, safety
285	318236201	A B C	Shield, hidden wires
* #	318306601	A B C	Harness, wiring, main
*	318165800	A B C	Spacer, (2)
*	3051050	A B C	Screw, shoulder
*	08016432	A B C	Screw, truss head, 8-18 x 0.375
*	5303211311	A B C	Screw, 8 x 0.500
*	5303307980	A B C	Screw, 8-32 x 0.437, (4)
*	5304415832	A B C	Screw, 8-18 x 0.406

TOP

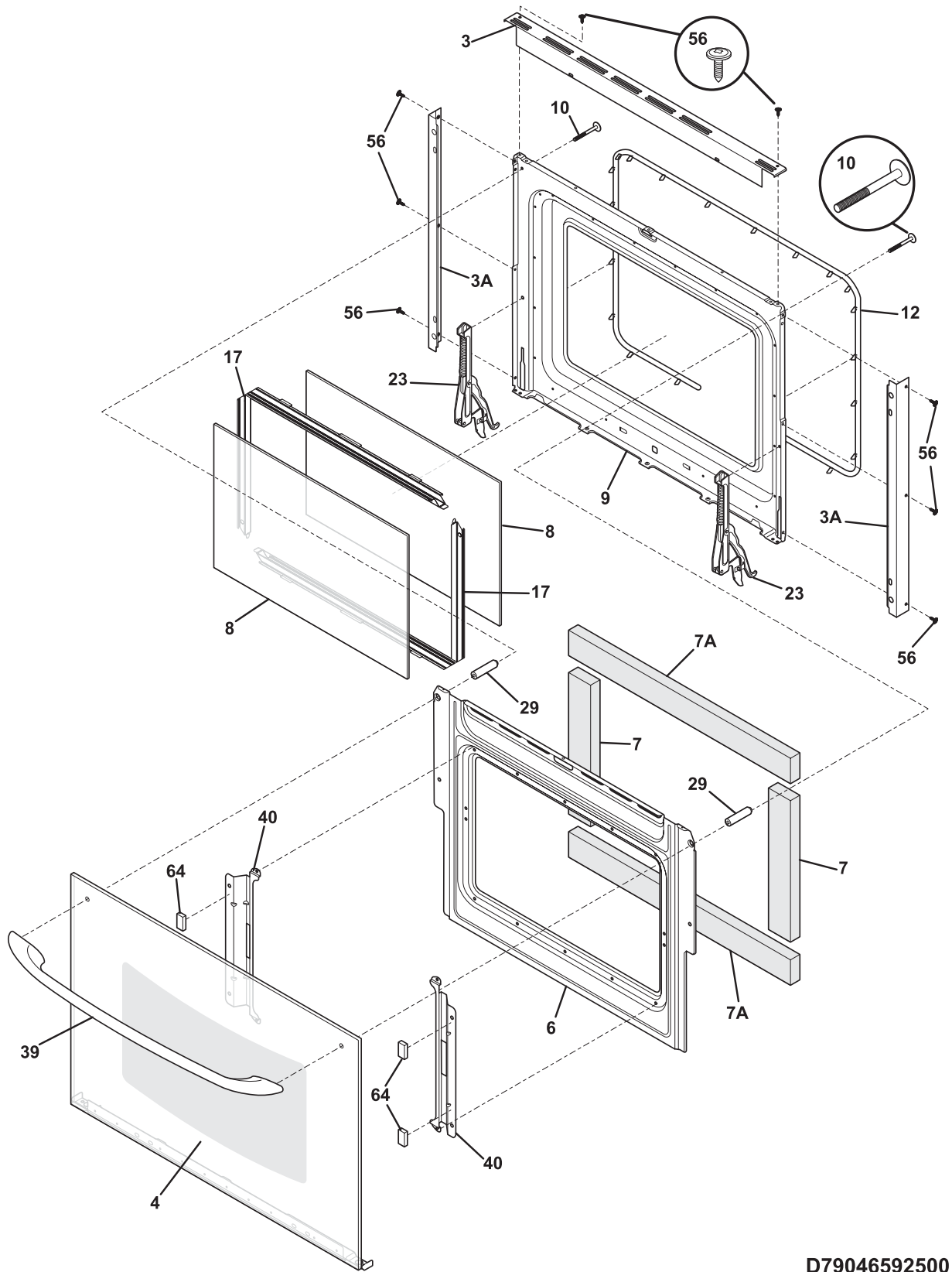


TOP

Model Index: A FGS365E (FGS365ESA)
 B FGS365E (FGS365EBA)
 C FGS365E (FGS365EQA)

POS. NO	PART NO.		DESCRIPTION
1	318107105	A B C	Drawer
4	318298901	A - -	Panel, drawer, white, front
4	318298903	- B -	Panel, drawer, black, front
4	318298902	- - C	Panel, drawer, bisque, front
6	318229900	A B C	Cover, wiring
7	318014800	A B C	Spacer
8 #	316135701	A B C	Module, spark
11	318298601	A B C	Bracket, drawer support, (2)
13	318018100	A B C	Channel, drawer, RH
13A	318018101	A B C	Channel, drawer, LH
16	318295404	A - -	Maintop, white
16	318295406	- B -	Maintop, black
16	318295405	- - C	Maintop, bisque
20	318231303	A - -	Grate, gray, (2)
20	318231300	- B -	Grate, black, (2)
20	318231302	- - C	Grate, brown, (2)
20A	318307503	A - -	Grate, center, gray
20A	318307500	- B -	Grate, center, black
20A	318307502	- - C	Grate, center, brown
22	316242801	A - -	Cap, 11K burner, gray
22	316242800	- B -	Cap, 11K burner, black
22	316242805	- - C	Cap, 11K burner, brown
22B	316206501	A - -	Cap, 5K burner, gray
22B	316206500	- B -	Cap, 5K burner, black
22B	316206504	- - C	Cap, 5K burner, brown
22C	316242901	A - -	Cap, 9.5K burner, gray
22C	316242900	- B -	Cap, 9.5K burner, black
22C	316242905	- - C	Cap, 9.5K burner, brown
46	318225411	A B C	Box, burner
52	318291200	A - -	Cover, flue, white, outer
52	318291202	- B -	Cover, flue, black, outer
52	318291201	- - C	Cover, flue, bisque, outer
57	318295610	A B C	Panel, service
58C	318285088	A B C	Insulation, flue, (3)
165	318227504	A B C	Plate, mounting
*	318163600	A B C	Cleaner, cooktop
*	5303325171	A B C	Washer, plastic
*	5303325173	A B C	Cap, plug
*	08016432	A B C	Screw, truss head, 8-18 x 0.375
*	5303211311	A B C	Screw, 8 x 0.500
*	5303300265	A B C	Screw, 8-18 X 1/2, (2)
*	5303311333	A B C	Screw, 8-32 x 3/8

DOOR



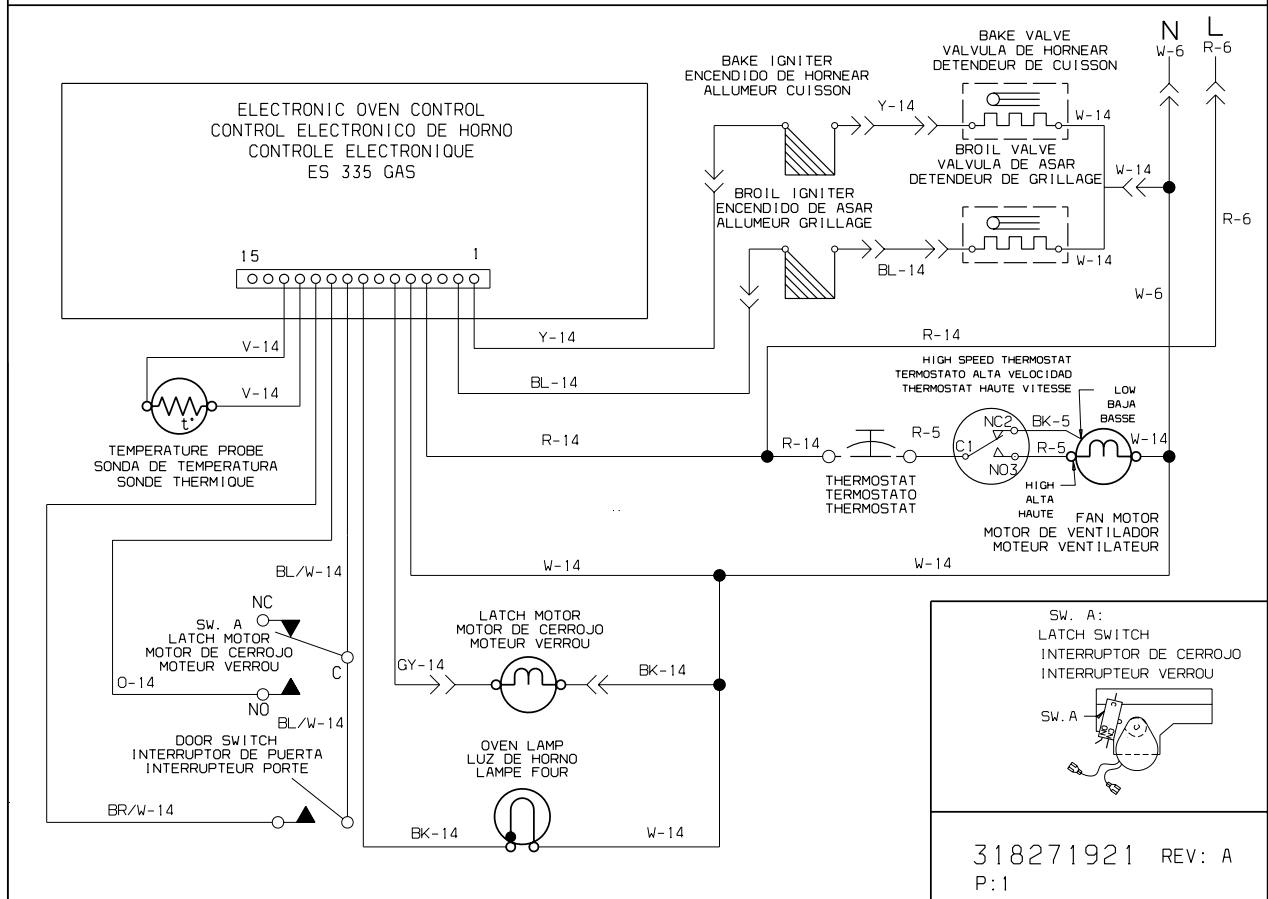
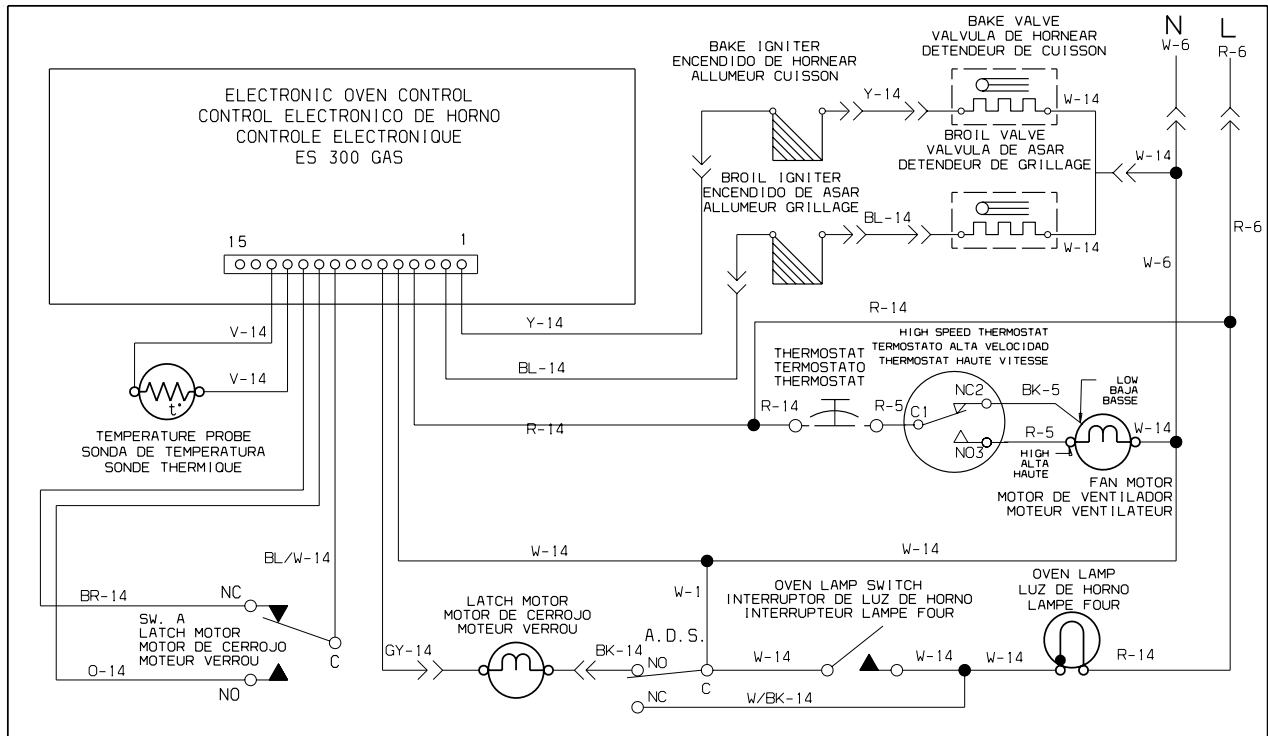
D79046592500

DOOR

Model Index: A FGS365E (FGS365ESA)
 B FGS365E (FGS365EBA)
 C FGS365E (FGS365EQA)

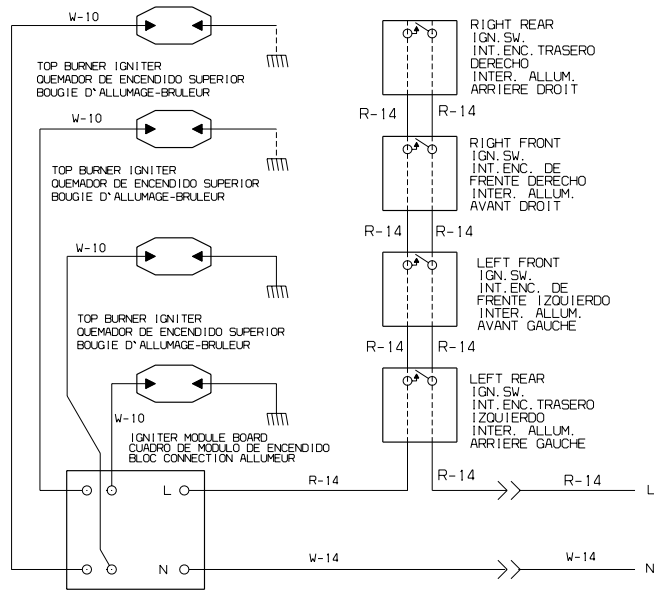
POS. NO	PART NO.		DESCRIPTION
3	318260201	A B C	Trim, oven door, black, upper
3A	318260401	A B C	Trim, oven door, side, (2)
4	318261301	A - -	Glass Assy., oven door, white, outer, w/trim
4	318261300	- B -	Glass Assy., oven door, black, outer, w/trim
4	318261302	- - C	Glass Assy., oven door, bisque, outer, w/trim
6	318260500	A B C	Baffle, door
7	318285057	A B C	Insulation, oven door
7A	318285062	A B C	Insulation, oven door
8	316117500	A B C	Glass, oven door, heat barrier
9	318259601	A B C	Liner, oven door
10	5304416408	A B C	Screw, 10-24 x 1.750, handle mtg
12	318053130	A B C	Seal, oven door
17	316402403	A B C	Spacer, door glass, (2)
23	318024722	A B C	Hinge, door, (2)
29	318014402	A B C	Spacer, door
39	316203001	A - -	Handle, door, white
39	318231200	- B -	Handle, black
39	316203003	- - C	Handle, door, bisque
40	318242700	A B C	Bracket, glass holder, (2)
56	5304436875	A B C	Screw, 8-18 X 1/2, black
64	318165800	A B C	Spacer, (2)
*	316221001	A B C	Label, anti-tip
*	5304415832	A B C	Screw, 8-18 x 0.406

WIRING DIAGRAM



WIRING DIAGRAM

COOKTOP CIRCUIT/CIRCUITO DE PLANCHA DE COCINAR/
CIRCUIT TABLE CUISSON



WARNING/AVISO/AVERTISSEMENT

DISCONNECT POWER BEFORE SERVICING UNIT/
DESCONECTE LA ENERGIA ANTES DE REALIZAR
EL MANTENIMIENTO DEL ELECTRODOMESTICO/
COUPER LE COURANT AVANT D'EFFECTUER
LA REPARATION.

W-10

WIRES COLOR NO./NO. DE COLOR DE ALAMBRE/NO. COULEUR DES FILS

COLOR CODE/CODIGOS/COLEUR

BK	BLACK/NEGRO/NOIR	P	PINK/ROSA/ROSE
BL	BLUE/AZUL/BLEU	PR	PURPLE/PURPUREO/POURPRE
BR	BROWN/MORENO/BRUN	R	RED/ROJO/ROUGE
C	COPPER/COBRE/CUIVRE	T	TAN/TOSTADO/TAN
G	GREEN/VERDE/VERT	V	VIOLET/VIOLETA/VIOLET
GY	GRAY/GRAY/GRIS	W	WHITE/BLANCO/BLANC
O	ORANGE/NARANJA/ORANGE	Y	YELLOW/AMARILLO/JAUNE
BL/W	BLUE/WHITE STRIPE/RAYAS AZUL BLANCA/STRIE BLEU/BLANC		

CODE	GAUGE/MEDIDA CALIBRE	TEMP. °C	STYLE/MODO/STYLE	
			CSA	UL
1	18	125	CL1251	3173
2	16	125	CL1251	3173
3	14	125	CL1251	3173
4	12	125	CL1251	3173
5	18	150	EXL-150	3321
6	16	150	EXL-150	3321
7	14	150	EXL-150	3321
8	12	150	EXL-150	3321
9	10	150	EXL-150	3321
10	18	200	SEW-1	3122
11	16	200	SEW-1	3122
12	12	250		3252
13	16	250		3252
14	20	150	EXL-150	3321
15	8	150	EXL-150	3321
16	8	60		
17	10	60		
18	10	200	SEW-1	3122
19	20	125	CL1251	3173

CAUTION:

LABEL ALL WIRES PRIOR TO DISCONNECTION WHEN SERVICING CONTROLS.
WIRING ERROR CAN CAUSE IMPROPER AND DANGEROUS OPERATION.
VERIFY PROPER OPERATION AFTER SERVICING.

AVISO:

ETIQUETE TODOS LOS ALAMBRES ANTES DE DESCONECTAR PAR
REALIZAR ET MANTENIMIENTO DE LOS CONTROLES.ERROR DE
ALAMBRAJE PUEDE CAUSAR UN FUNCIONAMIENTO INCORRECTO
Y PELIGROSO.VERIFIQUE SI EL FUNCIONAMIENTO ESTA
CORRECTO DESPUES DEL MANTENIMIENTO.

AVERTISSEMENT:

ETIQUETER CHAQUE FIL AVANT LE DEBRANCHEMENT DE CEUX-CI.UNE ERREUR DE
BRANCHEMENT PEUT CAUSER UNE OPERATION DANGEREUSE.VERIFIER LE BON
FONCTIONNEMENT DE L'APPAREIL APRES TOUTE REPARATION.

NOTE/NOTA/NOTE:

CIRCUIT SHOWN WITH ALL CONTROLS SET TO "OFF".
OVEN DOOR CLOSED AND UNLOCKED.
EL CIRCUITO ESTA ILLUSTRADO CON TODOS LOS CONTROLES A "OFF"
(APAGADO) PUERTA DE HORNO ABIERTA Y NO CERRADA.
LE SCHEMA ELECTRIQUE INDIQUE QUE LES COMMANDES SONT
A "ARRET" ,QUE LA PORTE EST FERMEE ET NON VERROUILLEE.

318271921 REV: A
P:2