

Frigidaire

Factory Parts Catalog

Product No.	GLEF369DBD	GLEF369DQD	GLEF369DSD
Series	30" f/s elec	30" f/s elec	30" f/s elec
Color	black	bisque	white
Market	North America	North America	North America
Wiring Diagram	316417759	316417759	316417759
Owner's Guide	316417004	316417004	316417004
Installation Instructions	316259206	316259206	316259206
Service Data Sheet	316417600	316417600	316417600

 **Electrolux**

ELECTROLUX HOME PRODUCTS, INC.
P.O. Box 212378
Augusta, GA 30917

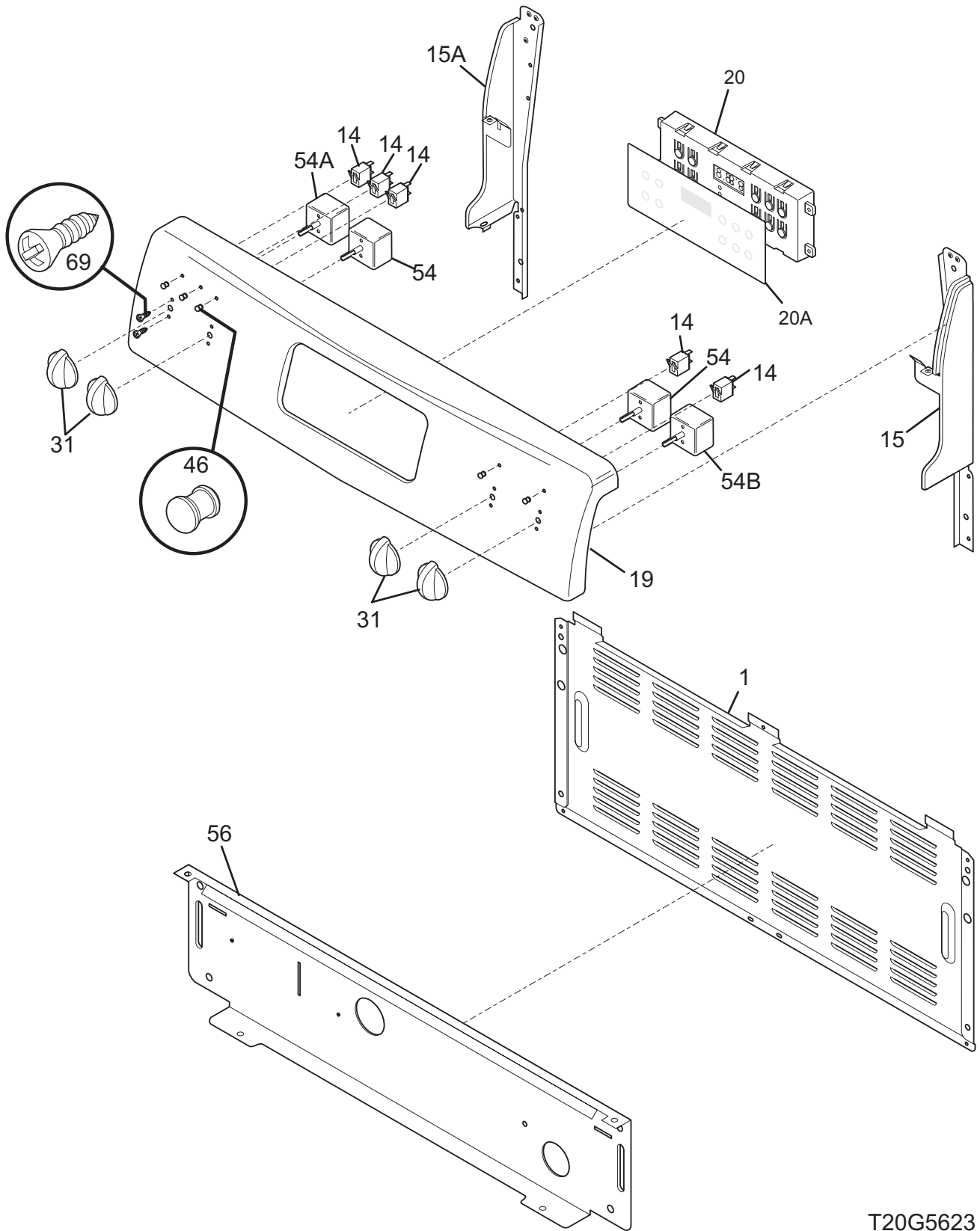
Publication No.
5995429437
05/02/18
(EN/SERVICE/ECL)
369

**30-INCH FREE-
STANDING ELECTRIC
RANGE**

Model No.
GLEF369D

Copyright © 2005 Electrolux Home Products, Inc.
All rights reserved.

BACKGUARD



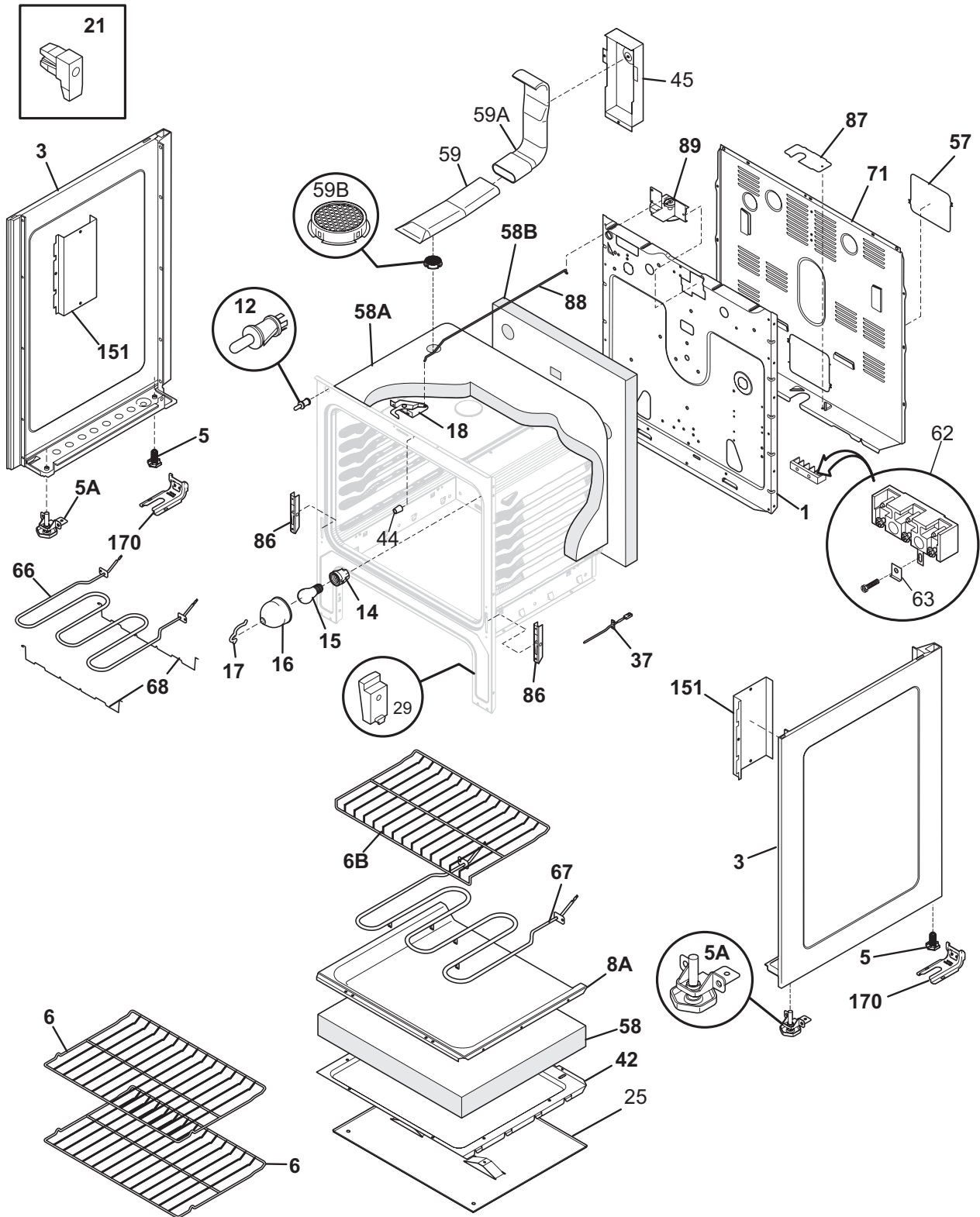
T20G5623

BACKGUARD

Model Index: A GLEF369D (GLEF369DSD)
 B GLEF369D (GLEF369DBD)
 C GLEF369D (GLEF369DQD)

POS. NO	PART NO.		DESCRIPTION
1	316416100	A B C	Shield, backguard, rear wall
14A	316022500	A B C	Light/Lamp, indicator, 125 V
15	316411403	A - -	Support, backguard, white, RH
15	316411405	- B -	Support, backguard, black, RH
15	316411407	- - C	Support, backguard, bisque, RH
15A	316411402	A - -	Support, backguard, white, LH
15A	316411404	- B -	Support, backguard, black, LH
15A	316411406	- - C	Support, backguard, bisque, LH
19	316424137	A - -	Panel, control, white
19	316424136	- B -	Panel, control, black
19	316424135	- - C	Panel, control, bisque
20 #	316418300	A B C	Clock/Timer, electronic, ES330
20A	316419301	A - -	Overlay, clock, white, ES330
20A	316419300	- B -	Overlay, clock, black, ES330
20A	316419302	- - C	Overlay, clock, bisque, ES330
31	316223000	A - -	Knob, control, white
31	316223002	- B -	Knob, control, black
31	316223003	- - C	Knob, control, bisque
46	316040201	A B C	Lens, indicator light, red
54 #	316021500	A B C	Switch, infinite, small element
54A#	316021501	A B C	Switch, infinite, large element
54B#	316238200	A B C	Switch, infinite, dual element
56	316234012	A - -	Shield, backguard, white, inner
56	316234013	- B -	Shield, backguard, black, inner
56	316234014	- - C	Shield, backguard, bisque, inner
69	5303288565	A B C	Screw, truss sqdr, 8-32 x 3/16, switch mtg
*	316021105	A B C	Screw, hex head cup pt, 8-18 x 0.375, black
*	316021109	A B C	Screw, 8-18 x 0.5, chrome
*	316021110	A B C	Screw, 8-18 x 0.5, black

BODY



NOTE: Oven Liner N/A
Ass. du four N/A

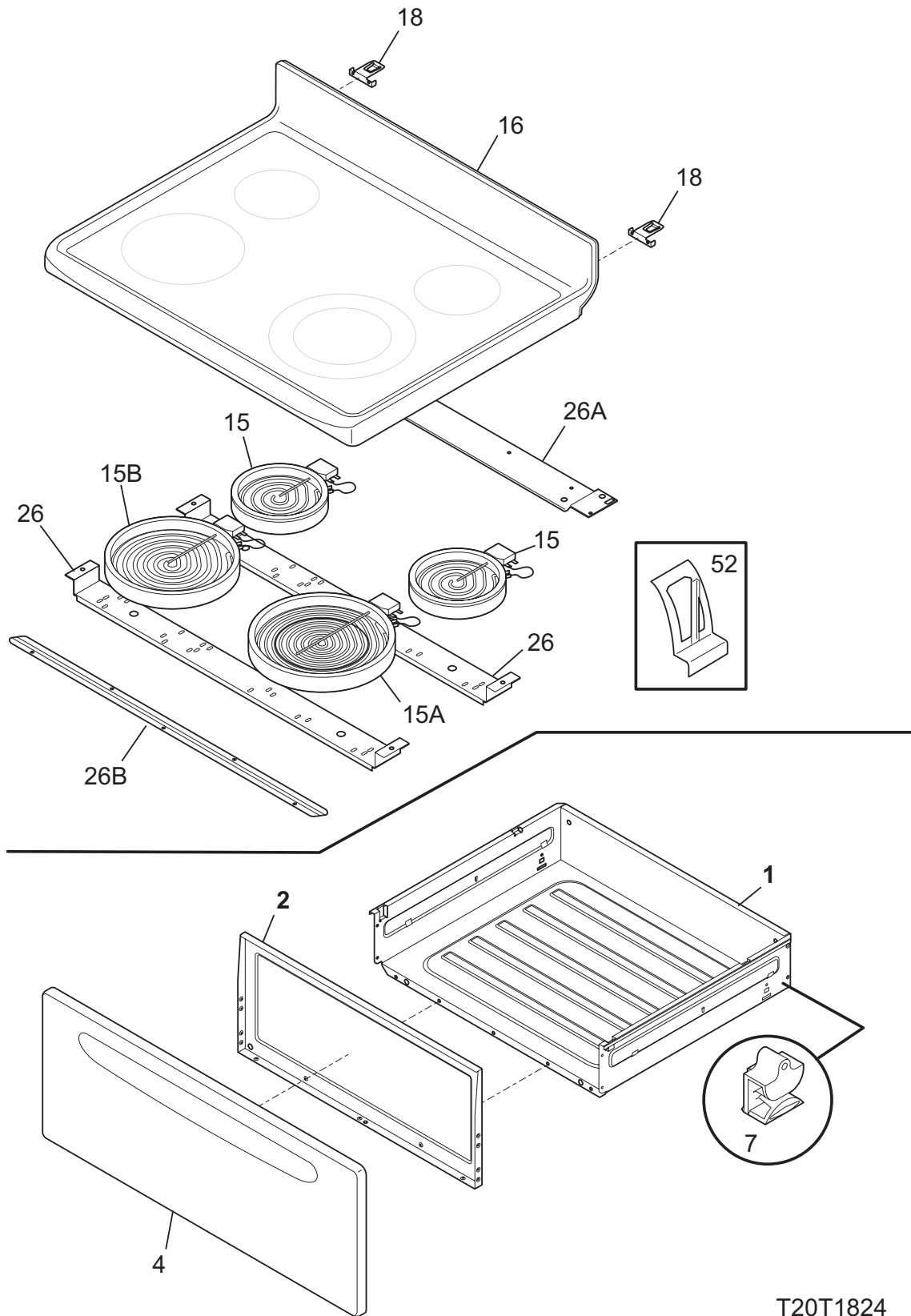
T20V0041

BODY

Model Index: A GLEF369D (GLEF369DSD)
 B GLEF369D (GLEF369DBD)
 C GLEF369D (GLEF369DQD)

POS. NO	PART NO.		DESCRIPTION
1	316401800	A B C	Panel, main back
3	316400102	A - -	Panel, bodyside, white, RH
3	316400103	A - -	Panel, bodyside, white, LH
3	316400104	- B -	Panel, bodyside, black, RH
3	316400105	- B -	Panel, bodyside, black, LH
3	316400106	- - C	Panel, bodyside, bisque, RH
3	316400107	- - C	Panel, bodyside, bisque, LH
5	316272900	A B C	Screw, leveling, plastic, rear, (2)
5A	316407200	A B C	Leveling Leg Assy, metal, front, (2), bracket & leg
6	316404500	A B C	Rack, oven
6B	316425400	A B C	Rack, oven
8A	316411102	A B C	Base, bake element
12 #	316407100	A B C	Switch, oven light/door
14	316116400	A B C	Receptacle, oven light
15	5303013071	A B C	Bulb/Lamp, oven light
16	08011086	A B C	Lens, oven light, glass
17	316087500	A B C	Retainer, lens
18 #	316405800	A B C	Latch Assembly, oven door
21	316408000	A B C	Clip, bodyside
25	5303289914	A B C	Shield-heat lower
29	316407301	A B C	Glide, drawer, front
37 #	316217001	A B C	Probe, oven temp
42	316407700	A B C	Shield, wool, lower
44	316246501	A B C	Spacer, oven door
45	316234100	A B C	Shield, wire, vent tube
57	316422400	A B C	Cover, access
58	316403801	A B C	Insulation, oven sump
58A	316406600	A B C	Insulation, oven wrapper
58B	316406500	A B C	Insulation, oven back
59	316208200	A B C	Tube, oven vent, lower
59A	316208302	A B C	Tube, oven vent, upper
59B	316247300	A B C	Catalyst, oven vent, ceramic
62	5303935238	A B C	Terminal Block Kit, w/ground plate
62*	316085600	A B C	Insulator
62*	316205500	A B C	Nut, hex flange, 3/8 10-32
63	316278800	A B C	Plate, grounding strap
66 #	316430900	A B C	Element, broil, 4000W
67	316415900	A B C	Element, bake, 3500W, 6 pass
68	316429100	A B C	Support, element, broil
71	316422300	A B C	Shield, rear wall
86	316441300	A B C	Receptacle, hinge
86*	316418901	A B C	Screw, trilobe, 10-32 x 5/16"
87	316081200	A B C	Bracket, cable mtg
88	316203500	A B C	Rod, auto latch
89 #	316415400	A B C	Motor, latch/lock
151	316404600	A B C	Shield, bodyside
170	5303935180	A B C	Anti-tip Kit, w/bracket, screw
170*	316107200	A B C	Bracket, anti-tip
170*	316112500	A B C	Template, anti-tip
170*	316116000	A B C	Screw, concrete, 1.75", anti-tip brkt
* #	316416425	A B C	Harness, wiring, main
*	3203550	A B C	Plug, button, oven bottom
*	5303305324	A - -	Paint, touch-up, white
*	5303305345	- B -	Paint, touch-up, black
*	5304414035	- - C	Paint, touch-up, bisque
*	316021105	A B C	Screw, hex head cup pt, 8-18 x 0.375, black
*	316021110	A B C	Screw, 8-18 x 0.5, black
*	316089500	A B C	Screw, 10-16 x .486
*	5303285179	A B C	Screw, wafer head, 8-32T x 0.500, black
*	5308014215	A B C	Screw, 6-20 x 0.312

TOP/DRAWER



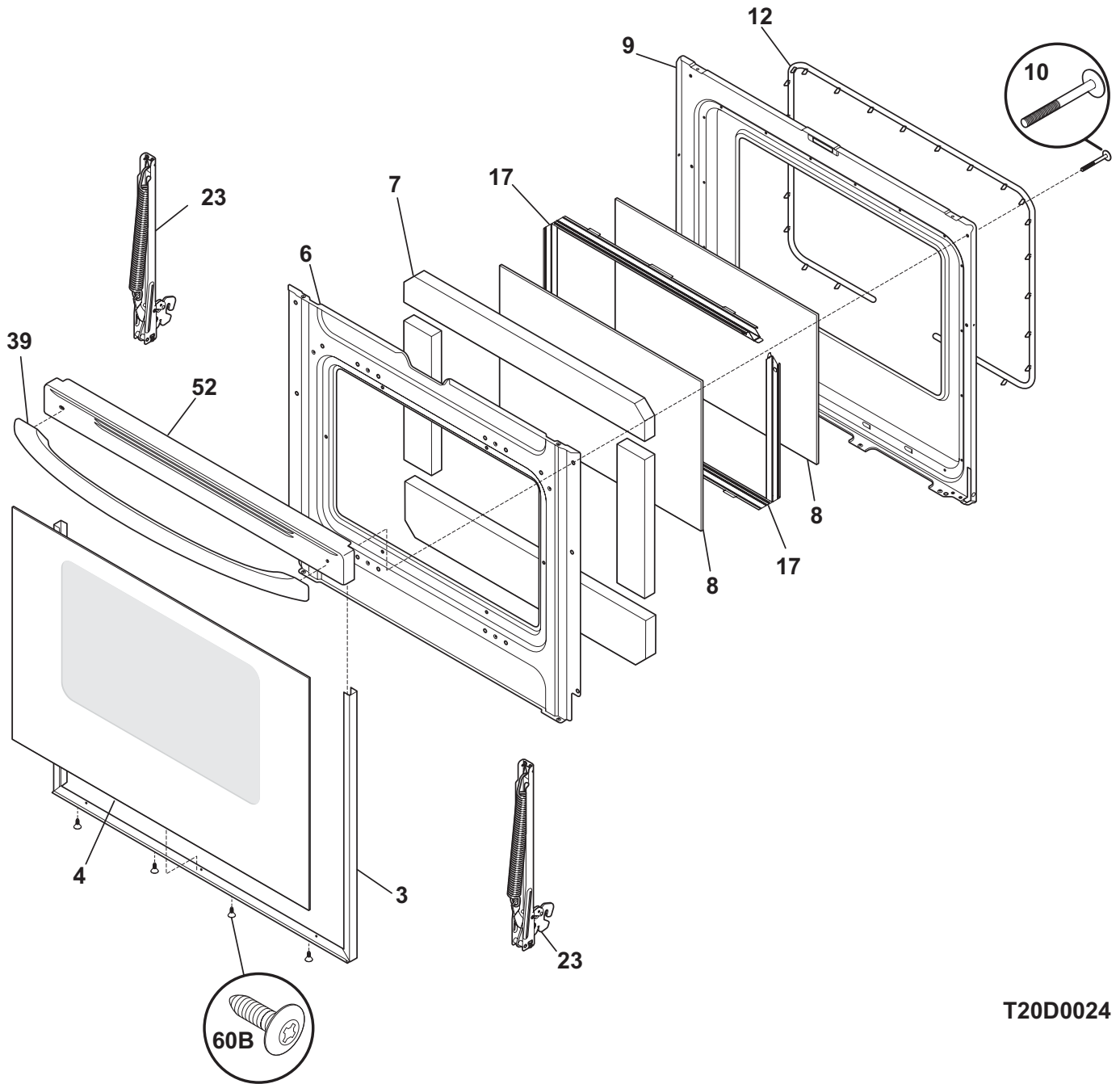
T20T1824

TOP/DRAWER

Model Index: A GLEF369D (GLEF369DSD)
 B GLEF369D (GLEF369DBD)
 C GLEF369D (GLEF369DQD)

POS. NO	PART NO.		DESCRIPTION
1	316408701	A B C	Drawer, utility
2	316403300	A B C	Liner, drawer
4	316403501	A - -	Panel, drawer front, white
4	316403502	- B -	Panel, drawer front, black
4	316403503	- - C	Panel, drawer front, bisque
7	316407400	A B C	Glide, drawer, rear
15 #	316010205	A B C	Element, surface, 6", 1200 W, radiant
15A#	316418400	A B C	Element, dual, 6"/9", surface, 1200W/1300W, radiant
15B#	316224200	A B C	Element, surface, 9", 2500W, radiant
16	316421245	A - -	Maintop, frame/glass, white
16	316421247	- B -	Maintop, frame/glass, black
16	316421246	- - C	Maintop, frame/glass, bisque
18	316436600	A B C	Hinge Bracket, maintop, (2)
26	316427600	A B C	Channel, element support, (2)
26A	316099202	A B C	Bracket, chassis support, rear
26B	316214200	A B C	Bracket, chassis support, front
52	316278300	A B C	Clip, element mtg
* #	316416831	A B C	Harness, wiring, surface
*	316264000	A B C	Cleaner, cooktop
*	316021105	A B C	Screw, hex head cup pt, 8-18 x 0.375, black
*	316021109	A B C	Screw, 8-18 x 0.5, chrome
*	316021110	A B C	Screw, 8-18 x 0.5, black
*	5308014215	A B C	Screw, 6-20 x 0.312

DOOR



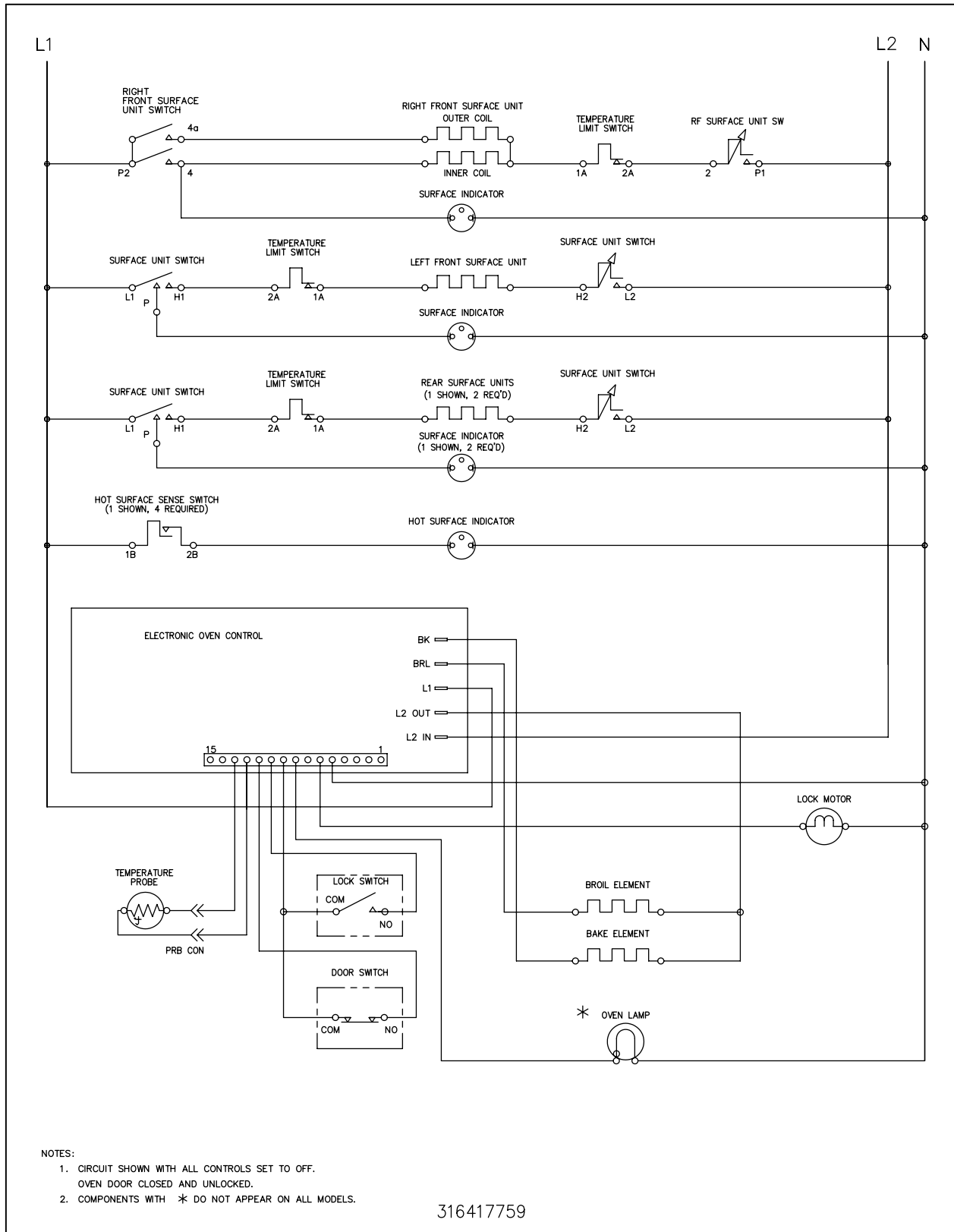
T20D0024

DOOR

Model Index: A GLEF369D (GLEF369DSD)
 B GLEF369D (GLEF369DBD)
 C GLEF369D (GLEF369DQD)

POS. NO	PART NO.		DESCRIPTION
3	5303935243	A - -	Trim kit-door, 3 sided, white, w/tape
3	5303935245	- B -	Trim kit-door, 3 sided, black, w/tape
3	5303935244	- - C	Trim kit-door, 3 sided, bisque, w/tape
4	316406400	A - -	Glass, oven door, white, outer
4	316406401	- B -	Glass, oven door, black, outer
4	316406402	- - C	Glass, oven door, bisque, outer
6	316406307	A B C	Shield, wool
7	316405600	A B C	Insulation, oven door
8	316117500	A B C	Glass, oven door, heat barrier
9	316423701	A B C	Liner, oven door
10	316433300	A B C	Screw, 10-14 x 2.125", handle mtg.
12	316405000	A B C	Seal, oven door
17	316402403	A B C	Spacer, door glass, (2)
23	316437703	A B C	Hinge, oven door
23*	316418900	A B C	Screw, sims lp, #8-32 x 5/16", black
39	316270201	A - -	Handle, door, white
39	316270200	- B -	Handle, door, black
39	316270202	- - C	Handle, door, bisque
52	316405100	A - -	Cap, door trim, white
52	316405101	- B -	Cap, door trim, black
52	316405102	- - C	Cap, door trim, bisque
60B	316021110	A B C	Screw, 8-18 x 0.5, black
*	316433603	A B C	Label, anti-tip
*	316021109	A B C	Screw, 8-18 x 0.5, chrome
*	5303285179	A B C	Screw, wafer head, 8-32T x 0.500, black

WIRING SCHEMATIC



WIRING DIAGRAM

