

Frigidaire

Factory Parts Catalog

Product No.	GLGS389FBA	GLGS389FQA	GLGS389FSA
	39356391G6361	39356391G6341	39356391G6311
Series	30" slide-in	30" slide-in	30" slide-in
Color	black	bisque	white
Market	North America	North America	North America
Wiring Diagram	318271932	318271932	318271932
Owner's Guide	318203854	318203854	318203854
Installation Instructions	318201673	318201673	318201673
Service Data Sheet	318127021	318127021	318127021
Timer Guide	318200194	318200194	318200194



Electrolux Major Appliances
 North & Latin America
 P.O. BOX 212378
 AUGUSTA, GA 30917

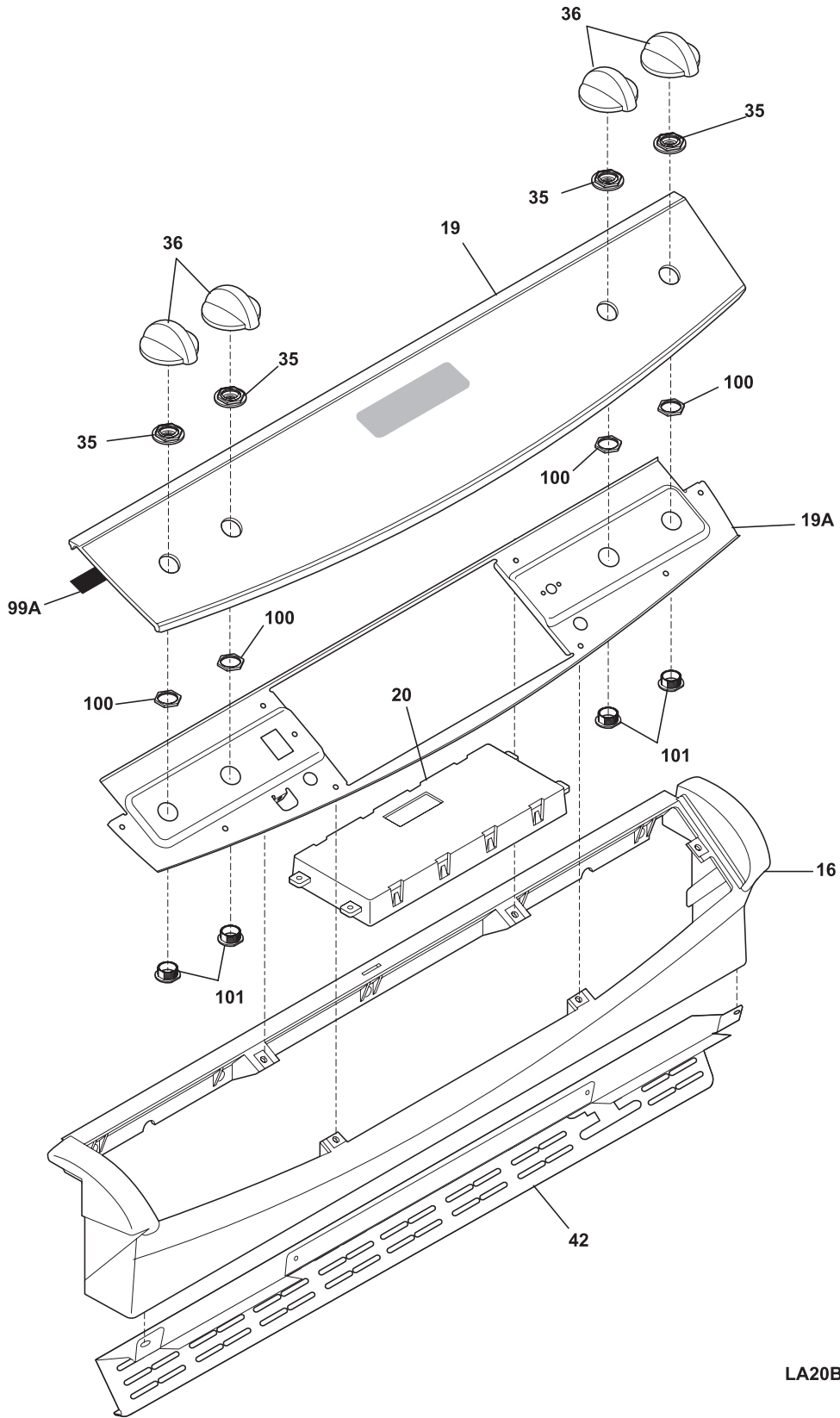
Publication No.
5995470951
 06/07/27
 (EN/SERVICE/ECL)
 377

30-INCH SLIDE-IN GAS RANGE

**Model No.
 GLGS389F**

Copyright © 2006 Electrolux Home Products, Inc.
 All rights reserved.

BACKGUARD



LA20BG0058

BACKGUARD

Model Index: A GLGS389F (GLGS389FSA)
 B GLGS389F (GLGS389FBA)
 C GLGS389F (GLGS389FQA)

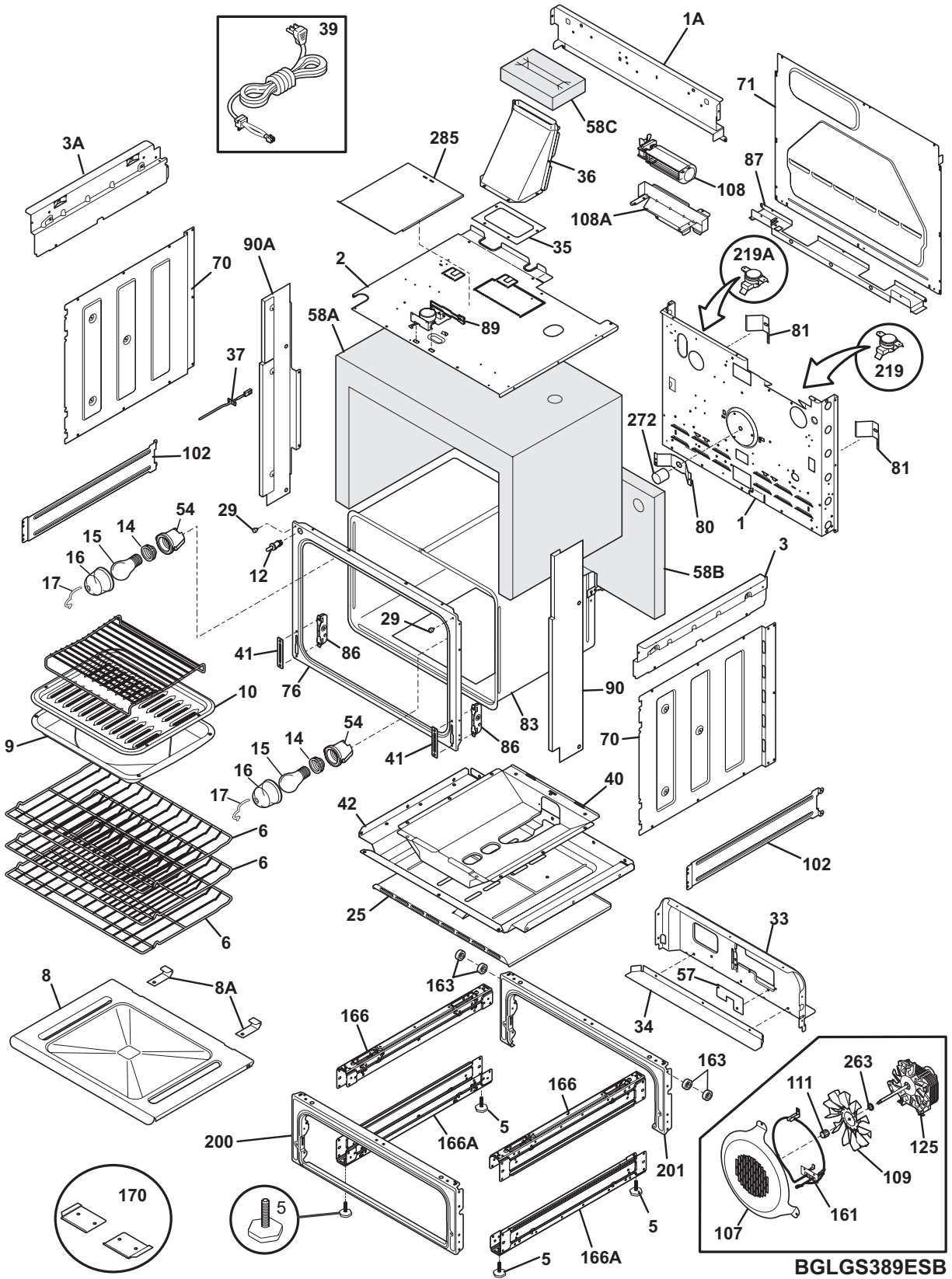
POS. NO	PART NO.		DESCRIPTION
16	318299100	A - -	Console, assy., white
16	318299102	- B -	Console, assy., black
16	318299101	- - C	Console, assy., bisque
19	318312210	A - -	Control Panel Assembly, w/membrane, white
19	318312212	- B -	Control Panel Assembly, w/membrane, black
19	318312211	- - C	Control Panel Assembly, w/membrane, bisque
19A	318224404	A B C	Panel, control mtg.
20 #	316418732	A B C	Clock/Timer, electronic, ES510
20*	5304453707	A B C	Screw, control mtg.
35	318233721	A - -	Retainer, control panel, white
35	318233720	- B -	Retainer, control panel, black
35	318233722	- - C	Retainer, control panel, bisque
36	316223025	A - -	Knob, control, white
36	316223024	- B -	Knob, control, black
36	316223026	- - C	Knob, control, bisque
42	318298011	A B C	Trim, vent, black, upper
99A	318223900	A B C	Gasket, dark grey
100	318233800	A B C	Nut, hex
101	318233400	A B C	Bushing, retainer
*	08016432	A B C	Screw, truss head, 8-18 x 0.375
*	5303300265	A B C	Screw, 8-18 X 1/2, (2)
*	5303311333	A B C	Screw, 8-32 x 3/8

BURNER

Model Index: A GLGS389F (GLGS389FSA)
 B GLGS389F (GLGS389FBA)
 C GLGS389F (GLGS389FQA)

POS. NO	PART NO.		DESCRIPTION
1	318305600	A B C	Manifold, right side
1A	318305601	A B C	Manifold, left side
1B	318305410	A B C	Tube, manifold, 3/8, interconnect
2 #	318233930	A B C	Valve, top burner, 14000 BTU
2A #	318233940	A B C	Valve, top burner, 16/17K
2B #	318233900	A B C	Valve, top burner, 5000 BTU
2C #	318233910	A B C	Valve, top burner, 9500 BTU
3 #	318232600	A B C	Wiring Harness, w/igntr switch
10 #	316223400	A B C	Burner, sealed, 14K
10A#	316223300	A B C	Burner, sealed, 16/17K
10B#	316206400	A B C	Burner, sealed, 5K
10C#	316212400	A B C	Burner, sealed, 9.5K
11	318306106	A B C	Ignitor Assembly, 14K, left rear, w/tube & holder
11A	318306107	A B C	Ignitor Assembly, 16K, right front, w/tube & holder
11B	318306108	A B C	Ignitor Assembly, 5K, right rear, w/tube & holder
11C	318306104	A B C	Ignitor Assembly, 9.5K, left front, w/tube & holder
12	318369902	A B C	Bracket, support, (2)
13	318305110	A B C	Tube, regulator, to manifold
14 #	316091706	A B C	Regulator, pressure
14*	5303311306	A B C	Screw, 8-18 x 0.375, (3)
15	318262810	A B C	Bracket, regulator
16	318289500	A B C	Tube, regulator valve
17 #	316404900	A B C	Valve, safety
17*	318268600	A B C	Harness, wiring, valve
18 #	318292200	A B C	Burner, oven, 18000
20	318290400	A B C	Baffle, bake burner
21	3201885	A B C	Nut, Keps, 10-24
22	318305200	A B C	Tube, broil supply
23	318292300	A B C	Burner, broil, 14000
24 #	318267801	A B C	Mixer Elbow, broiler
*	5303323133	A B C	Screw, 8-18 x 0.500
25	316401301	A B C	Baffle, broil burner
26 #	316428600	A B C	Ignitor, burner
*	5303300195	A B C	Screw, 10-32 x 0.375, terminal block, (2)
37	5303307980	A B C	Screw, 8-32 x 0.437, (4)
44	316237900	A B C	Orifice, top burner, 14K
44A	316237912	A B C	Orifice, top burner, 16K
44B	316237903	A B C	Orifice, top burner, 5K
44C	316237902	A B C	Orifice, top burner, 9.5K
72	316215600	A B C	Screw, valve mtg., 1/4 - 20
77	318192606	A B C	Bracket, burner mtg, (4)
263	316136500	A B C	Washer, flat
*	318186909	A B C	LP Conversion Kit
*	318199725	A B C	Wiring Harness, ignitor
*	08011955	A B C	Screw, 10-24 x 0.375, square drive
*	5303211311	A B C	Screw, 8 x 0.500

BODY



BODY

Model Index: A GLGS389F (GLGS389FSA)
 B GLGS389F (GLGS389FBA)
 C GLGS389F (GLGS389FQA)

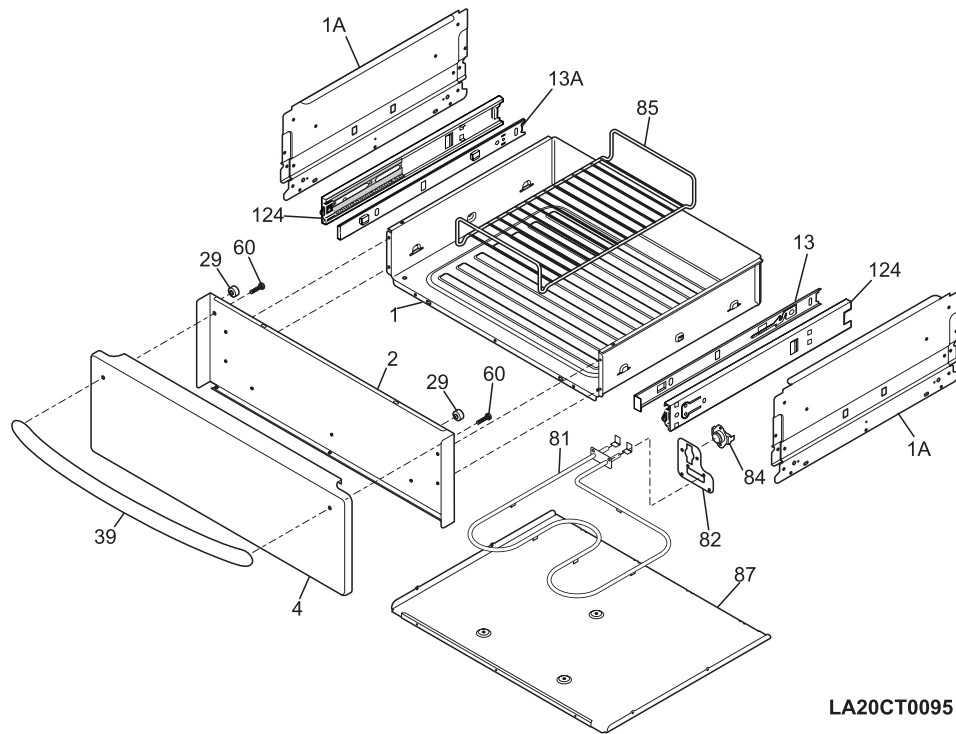
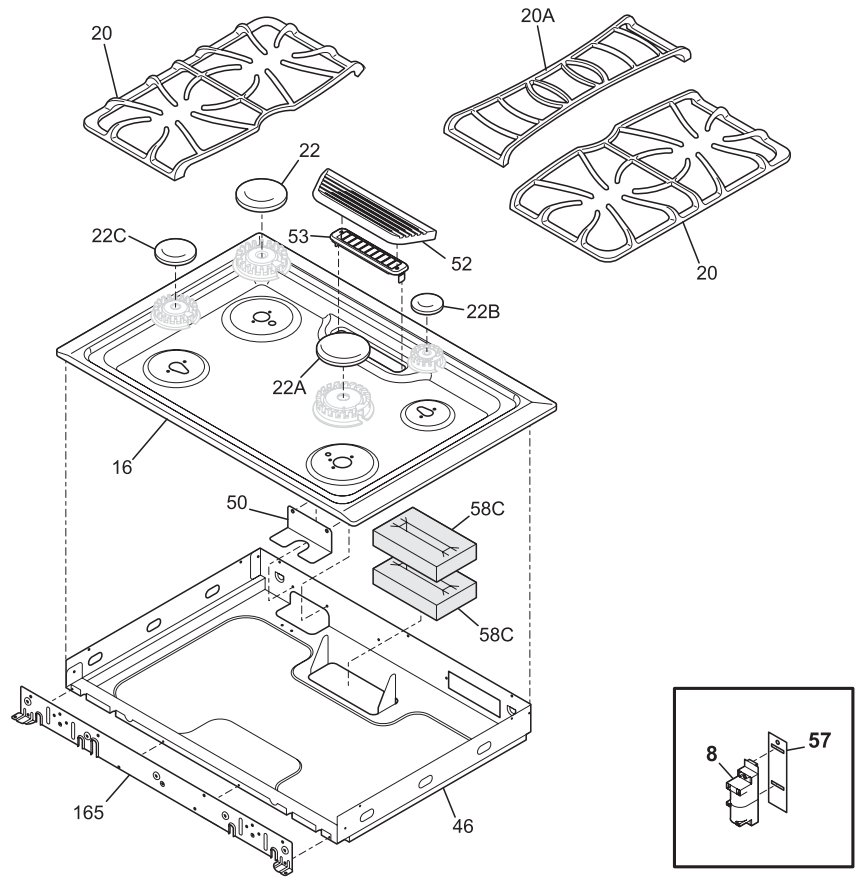
POS. NO	PART NO.		DESCRIPTION
1	318259204	A B C	Back, main
1A	318225110	A B C	Panel, main back, upper
2	318258902	A B C	Shield, insulation, upper
3	318225210	A B C	Panel, bodyside, upper RH
3A	318225211	A B C	Panel, bodyside, upper LH
5	318175503	A B C	Screw, leveling
6	318345208	A B C	Rack, oven
6A	318219500	A B C	Rack, broiler pan
8	318290501	A B C	Panel, oven, bottom
8A	318367401	A B C	Bracket, retainer, (2)
9	5303317977	A B C	Pan, broiler
10	5303317976	A B C	Insert, broiler pan
12 #	318089916	A B C	Switch, light
14	318224000	A B C	Receptacle, oven light
15	5303013071	A B C	Bulb/Lamp, light
16	08011086	A B C	Lens, oven light, glass
17	5304400195	A B C	Retainer, light cover
25	318291900	A B C	Bracket, shield, lower
29	318147411	A B C	Bumper, (2)
33	318287800	A B C	Panel, valve mtg.
34	318289400	A B C	Panel, valve filler
35	318291300	A B C	Seal, flue cavity
36	318288801	A B C	Box, flue assy.
37 #	316217002	A B C	Probe, oven temp
39	318144008	A B C	Cord, service
40	318291800	A B C	Box, oven burner
41	5303310526	A B C	Cover, hinge cutout
42	318288700	A B C	Bracket, body, middle
54	318222400	A B C	Housing, oven light
57	318268300	A B C	Cover, burner opening
58A	318285084	A B C	Insulation, oven wrapper
58B	318285085	A B C	Insulation, oven back
58C	318285097	A B C	Insulation, flue
70	318259100	A B C	Shield, insulation, sides, (2)
71	318260007	A B C	Panel, rear box
76	318056217	A B C	Front, oven
80	5303320846	A B C	Plate, oven mtg
81	318192400	A B C	Spring, oven
*	5303323129	A B C	Screw, 8 X 0.750
83	318327007	A B C	Liner, oven
86	5303310524	A B C	Receptacle, hinge
87	318260604	A B C	Bracket, cable mtg.
89 #	318261209	A B C	Motor, latch assy
*	5304436875	A B C	Screw, 8-18 X 1/2, black
90	318296902	A - -	Panel, filler, white, RH
90	318296904	- B -	Panel, filler, black, RH
90	318296906	- - C	Panel, filler, bisque, RH
90A	318296903	A - -	Panel, filler, white, LH

BODY

Model Index: A GLGS389F (GLGS389FSA)
 B GLGS389F (GLGS389FBA)
 C GLGS389F (GLGS389FQA)

POS. NO	PART NO.		DESCRIPTION
90A	318296905	- B -	Panel, filler, black, LH
90A	318296907	- - C	Panel, filler, bisque, LH
102	318327500	A B C	Panel, reinforcement
107	318219401	A B C	Cover, fan
108#	318073018	A B C	Motor, blower
108A	318251300	A B C	Bracket, fan support
109	316136400	A B C	Blade, fan
111	316136600	A B C	Nut, fan retainer
125#	316415800	A B C	Motor, fan
161#	318255503	A B C	Element, convection, 350 W
163	318014110	A B C	Spacer, (6)
166	318298410	A B C	Bracket, base support, (2)
166A	318298403	A B C	Bracket, base support, lower, (2)
170	318335500	A B C	Anti-tip & accessories
200	318298201	A B C	Frame, drawer, black, front
201	318298210	A B C	Frame, drawer
219#	318003614	A B C	Thermostat, safety
219A	318003613	A B C	Thermostat, safety, 1.375" mtg, 105/120
263	316136500	A B C	Washer, flat
272	318249401	A B C	Tube, protector
285	318236201	A B C	Shield, hidden wires
* #	318306623	A B C	Harness, wiring, main
*	318165800	A B C	Spacer
*	3051050	A B C	Screw, shoulder
*	08016432	A B C	Screw, truss head, 8-18 x 0.375
*	5303211311	A B C	Screw, 8 x 0.500
*	5303307980	A B C	Screw, 8-32 x 0.437, (4)
*	5304415832	A B C	Screw, 8-18 x 0.406

TOP



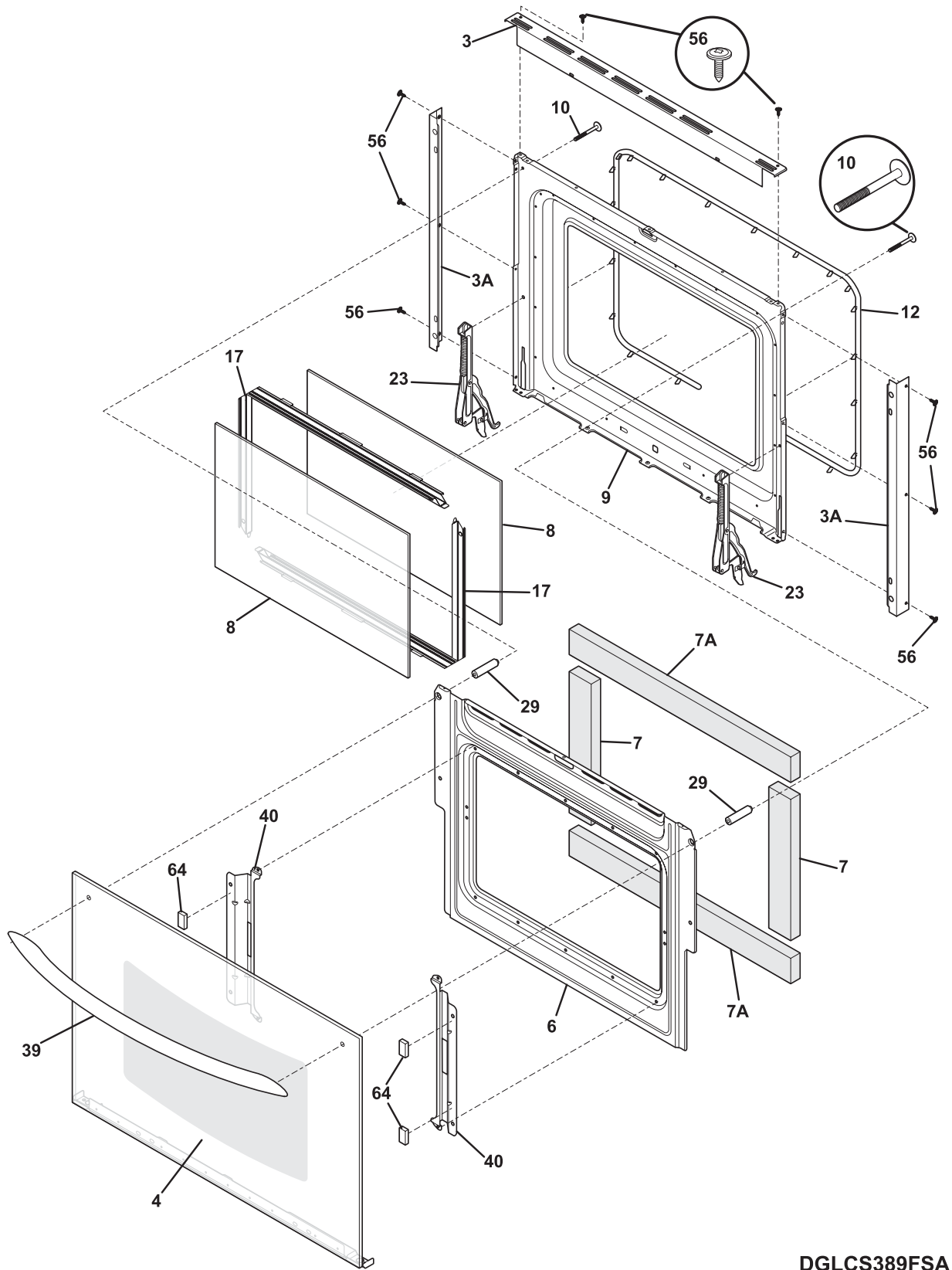
LA20CT0095

TOP

Model Index: A GLGS389F (GLGS389FSA)
 B GLGS389F (GLGS389FBA)
 C GLGS389F (GLGS389FQA)

POS. NO	PART NO.		DESCRIPTION
1	318304401	A B C	Drawer, body assembly
1A	318300000	A B C	Panel, warmer drawer, side, (2)
2	318303901	A B C	Panel, drawer, black, inner
4	318299901	A - -	Panel, drawer, white, front
4	318299903	- B -	Panel, drawer, black, front
4	318299902	- - C	Panel, drawer, bisque, front
8 #	316135701	A B C	Module, spark
13	318259507	A B C	Glide, warmer, inner RH
13A	318259506	A B C	Glide, warmer, inner LH
20	316424605	A - -	Grate, gray, (2)
20	316424601	- B -	Grate, black, (2)
20	316424604	- - C	Grate, brown, (2)
20A	318307105	A - -	Grate, gray, center
20A	318307101	- B -	Grate, black, center
20A	318307104	- - C	Grate, brown, center
22	316219901	A - -	Cap, 14K burner, grey
22	316219900	- B -	Cap, 14K burner, black
22	316219904	- - C	Cap, 14K burner, brown
22A	316271901	A - -	Cap, 17K burner, gray
22A	316271900	- B -	Cap, 17K burner, black
22A	316271902	- - C	Cap, 17K burner, brown
22B	316206601	A - -	Cap, 5K burner, gray
22B	316206600	- B -	Cap, 5K burner, black
22B	316206602	- - C	Cap, 5K burner, brown
22C	316213501	A - -	Cap, 9.5K burner, gray
22C	316213500	- B -	Cap, 9.5K burner, black
22C	316213503	- - C	Cap, 9.5K burner, brown
29	318147430	A B C	Bumper, (2)
39	5304457012	A - -	Handle, door, white, w/spacer
39	5304457011	- B -	Handle, door, black, w/spacer
39	5304457013	- - C	Handle, door, bisque, w/spacer
46	318291400	A B C	Box, burner
50	318328500	A B C	Cover, burner box
52	318291100	A - -	Cover, flue, white, outer
52	318291102	- B -	Cover, flue, black, outer
52	318291101	- - C	Cover, flue, bisque, outer
53	318308303	A B C	Cover, flue, black
57	318295611	A B C	Panel, service
58C	318285097	A B C	Insulation, flue
60	316001002	A B C	Screw, wafer head, 10-24 x 1.81, (2), handle mtg.
81 #	318255300	A B C	Element, warmer drawer
82	318304500	A B C	Bracket, element, warmer drawer
84 #	318005108	A B C	Thermostat
85	318257600	A B C	Rack, warmer drawer
87	318300100	A B C	Panel, warmer drawer, lower
124	316105501	A B C	Glide, outer/RH & LH, (2)
165	318227504	A B C	Plate, mounting
*	318199748	A B C	Wiring Harness, drawer
*	318163600	A B C	Cleaner, cooktop
*	5303325171	A B C	Washer, plastic
*	08016432	A B C	Screw, truss head, 8-18 x 0.375
*	5303211311	A B C	Screw, 8 x 0.500
*	5303300265	A B C	Screw, 8-18 X 1/2, (2)
*	5303311333	A B C	Screw, 8-32 x 3/8

DOOR



DGLCS389FSA

DOOR

Model Index: **A** GLGS389F (GLGS389FSA)
 B GLGS389F (GLGS389FBA)
 C GLGS389F (GLGS389FQA)

POS. NO	PART NO.		DESCRIPTION
3	318260201	A B C	Trim, oven door, black, upper
3A	318260401	A B C	Trim, oven door, side, (2)
4	318261301	A - -	Glass Assy., oven door, white, outer, w/trim
4	318261300	- B -	Glass Assy., oven door, black, outer, w/trim
4	318261302	- - C	Glass Assy., oven door, bisque, outer, w/trim
6	318260520	A B C	Baffle, door
7	318285057	A B C	Insulation, oven door
7A	318285062	A B C	Insulation, oven door
8	316117500	A B C	Glass, oven door, heat barrier
9	318259601	A B C	Liner, oven door, upper
10	316001002	A B C	Screw, wafer head, 10-24 x 1.81, (2), handle mtg.
12	318053120	A B C	Seal, door, lower oven
17	316402403	A B C	Spacer, door glass, (2)
23	5303310828	A B C	Hinge, oven door, upper, (2)
29	318014402	A B C	Spacer, door
39	5304457012	A - -	Handle, door, white, w/spacer
39	5304457011	- B -	Handle, door, black, w/spacer
39	5304457013	- - C	Handle, door, bisque, w/spacer
40	318242700	A B C	Bracket, glass holder, (2)
56	5304436875	A B C	Screw, 8-18 X 1/2, black
64	318165800	A B C	Spacer
*	316221001	A B C	Label, anti-tip
*	5304415832	A B C	Screw, 8-18 x 0.406

WIRING DIAGRAM

