

Frigidaire

Factory Parts Catalog

Product No.	GLGS389FBF	GLGS389FBG	GLGS389FSF	GLGS389FSG
	39356391G6366	39356391G6367	39356391G6316	39356391G6317
Series	30" gas	30" gas	30" gas	30" gas
Color	black	black	white	white
Market	North America	North America	North America	North America
Wiring Diagram	318271998	318271998	318271998	318271998
Owner's Guide	318203872	318203872	318203872	318203872
Installation Instructions	318201673	318201673	318201673	318201673
Service Data Sheet	318127031	318127031	318127031	318127031
Timer Guide	318204125	318204125	318204125	318204125

 **Electrolux**

Electrolux Major Appliances
North & Latin America
P.O. BOX 212378
AUGUSTA, GA 30917

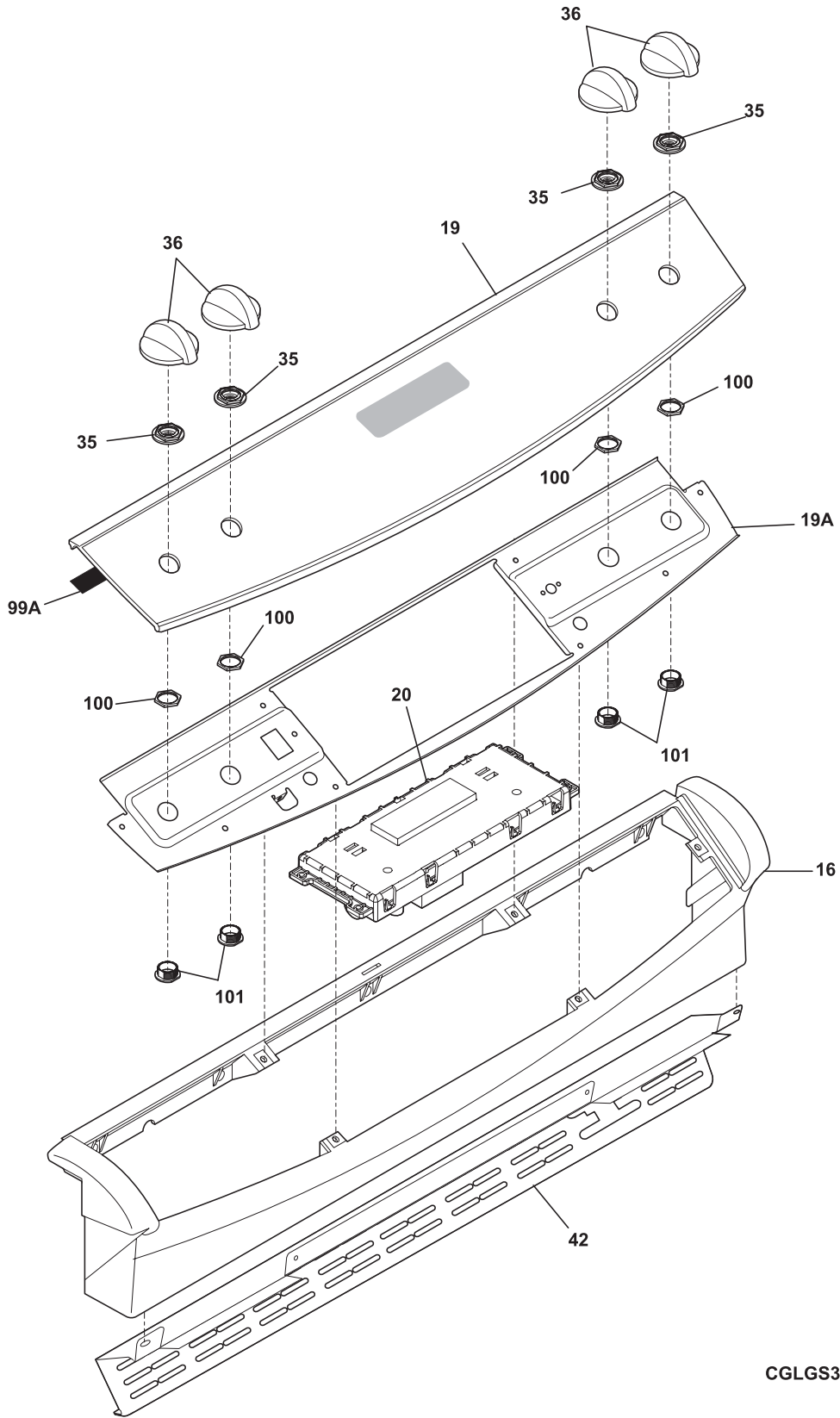
Publication No.
5995534970
09/03/10
(EN/SERVICE/ECL)
377

**30-INCH SLIDE-IN GAS
RANGE**

**Model No.
GLGS389F**

Copyright © 2009 Electrolux Home Products, Inc.
All rights reserved.

BACKGUARD



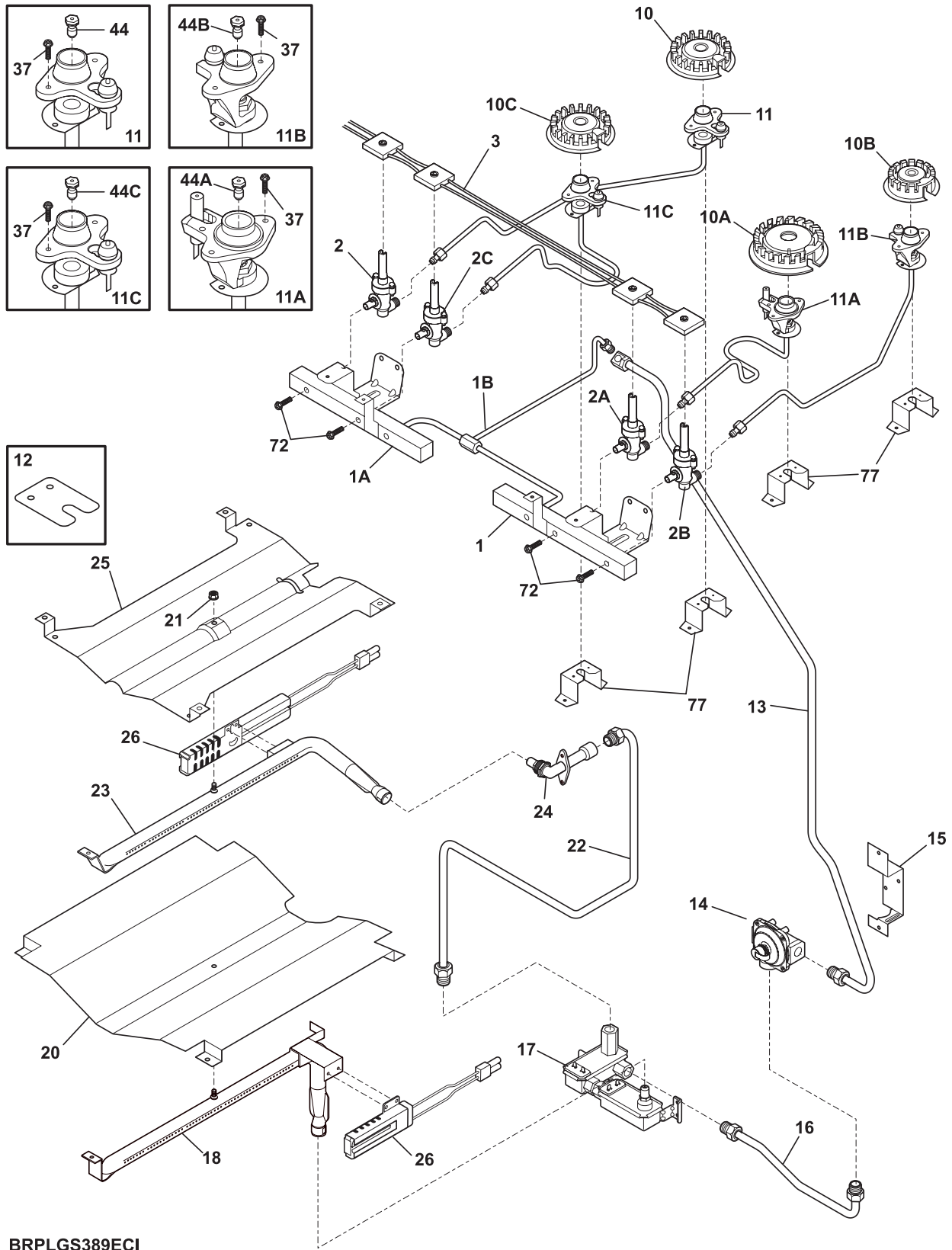
CGLGS389FSD

BACKGUARD

Model Index: A GLGS389F (GLGS389FBF)
 B GLGS389F (GLGS389FBG)
 C GLGS389F (GLGS389FSF)
 D GLGS389F (GLGS389FSG)

POS. NO	PART NO.		DESCRIPTION
16	318299102	A B - -	Console, assy., black
16	318299100	- - C D	Console, assy., white
19	318312212	A B - -	Control Panel Assembly, w/membrane, black
19	318312210	- - C D	Control Panel Assembly, w/membrane, white
19A	318224404	A B C D	Panel, control mtg.
20 #	316462843	A B C D	Controller, electronic, ES510X
20*	5304453707	A B C D	Screw, 8-18 X 1/2
35	318233720	A B C D	Retainer, control panel, black
36	316223024	A B - -	Knob, control, black
36	316223025	- - C D	Knob, control, white
42	318298011	A B C D	Trim, vent, black, upper
99A	318223900	A B C D	Gasket, dark grey
100	318233800	A B C D	Nut, hex
101	318233400	A B C D	Bushing, retainer
* #	318224852	A B C D	Harness, wiring, timer
*	08016432	A B C D	Screw, truss head, 8-18 x 0.375
*	5303300265	A B C D	Screw, 8-18 X 1/2, (4)

BURNER



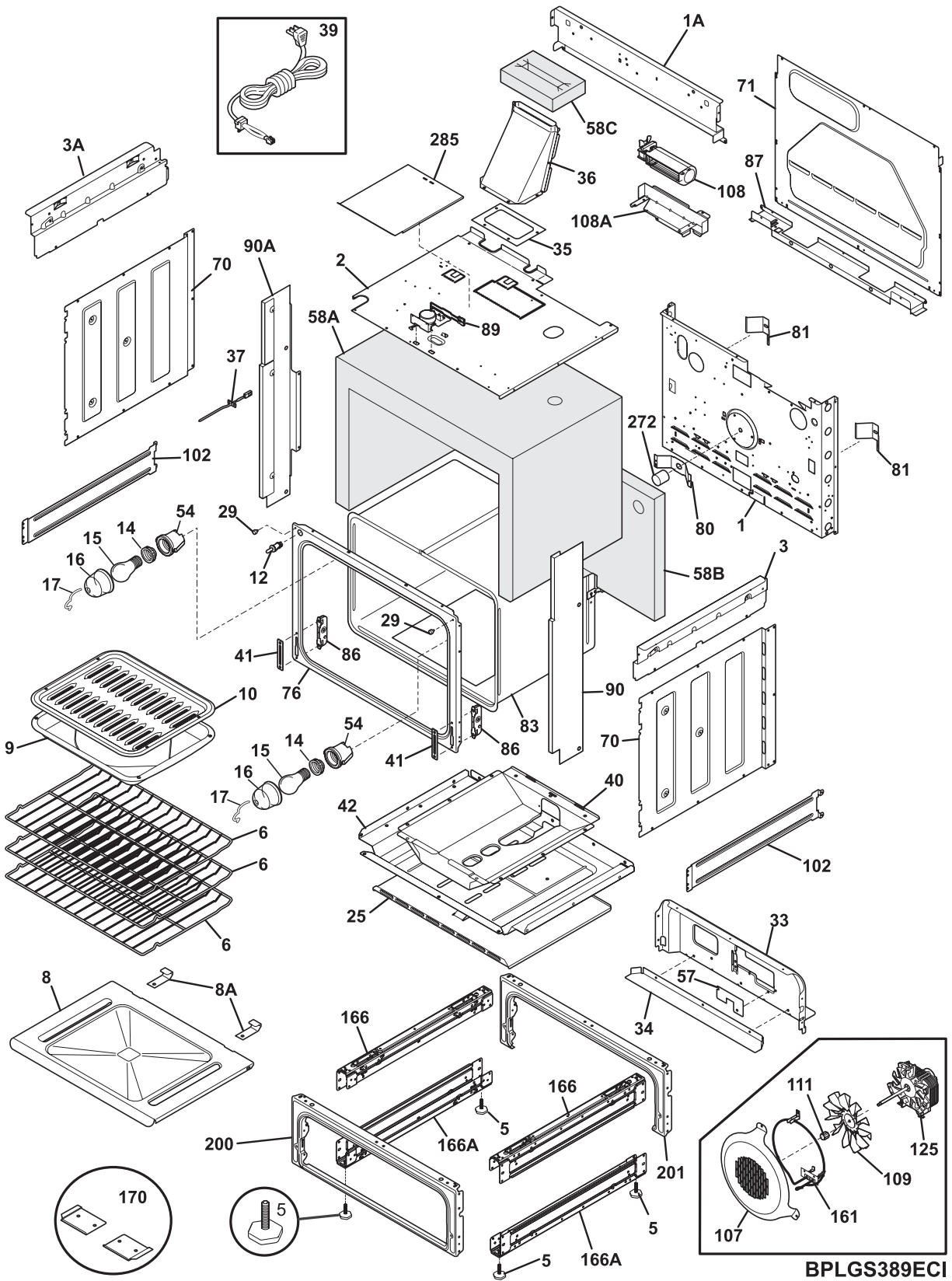
BRPLGS389ECI

BURNER

Model Index: A GLGS389F (GLGS389FBF)
 B GLGS389F (GLGS389FBG)
 C GLGS389F (GLGS389FSF)
 D GLGS389F (GLGS389FSG)

POS. NO	PART NO.		DESCRIPTION
1	318305600	A B C D	Manifold, right side
1A	318305601	A B C D	Manifold, left side
1B	318305410	A B C D	Tube, manifold, 3/8, interconnect
2 #	318233930	A B C D	Valve, top burner, 14000 BTU
2A #	318233940	A B C D	Valve, top burner, 16/17K
2B #	318233900	A B C D	Valve, top burner, 5000 BTU
2C #	318233910	A B C D	Valve, top burner, 9500 BTU
3 #	318232618	A B C D	Wiring Harness, w/igntr switch
10 #	316223400	A B C D	Burner, sealed, 14K
10A#	316223300	A B C D	Burner, sealed, 16/17K
10B#	316206401	A B C D	Burner, sealed, 5K
10C#	316212400	A B C D	Burner, sealed, 9.5K
11	318306106	A B C D	Ignitor Assembly, 14K, left rear, w/tube & holder
11A	318306107	A B C D	Ignitor Assembly, 16K, right front, w/tube & holder
11B	318306108	A B C D	Ignitor Assembly, 5K, right rear, w/tube & holder
11C	318306104	A B C D	Ignitor Assembly, 9.5K, left front, w/tube & holder
12	318369902	A B C D	Bracket, support, (2)
13	318305110	A B C D	Tube, regulator, to manifold
14 #	316416700	A B C D	Regulator, pressure
14*	5303311306	A B C D	Screw, 8-18 x 0.375, (6)
15	318262810	A B C D	Bracket, regulator
16	318289500	A B C D	Tube, regulator valve
17 #	316404901	A B C D	Valve, safety
17*	318268600	A B C D	Harness, wiring, valve
18 #	318292200	A B C D	Burner, oven, 18000
20	318290400	A B C D	Baffle, bake burner
21	3201885	A B C D	Nut, Keps, 10-24
22	318305203	A B C D	Tube, broil supply
23	318292300	A B C D	Burner, broil, 14000
24 #	316409703	A B C D	Elbow, mixer
25	316401301	A B C D	Baffle, broil burner
26 #	318177710	A B C D	Ignitor, oven burner
37	316240600	A B C D	Screw, assy mtg, (8), ignitor/orifice
44	316237900	A B C D	Orifice, top burner, 14K
44A	316237912	A B C D	Orifice, top burner, 16K
44B	316237903	A B C D	Orifice, top burner, 5K
44C	316237902	A B C D	Orifice, top burner, 9.5K
72	316215600	A B C D	Screw, valve mtg., 1/4 - 20
77	318192617	A B C D	Bracket, burner mtg, (4)
*	318186909	A B C D	LP Conversion Kit
* #	318199776	A B C D	Wiring Harness, ignitor
*	08011955	A B C D	Screw, 10-24 x 0.375, square drive
*	5303211311	A B C D	Screw, 8 x 0.500
*	5303300195	A B C D	Screw, 10-32 x 0.375, (2)
*	5303323133	A B C D	Screw, 8-18 x 0.500

BODY



BODY

Model Index: A GLGS389F (GLGS389FBF)
 B GLGS389F (GLGS389FBG)
 C GLGS389F (GLGS389FSF)
 D GLGS389F (GLGS389FSG)

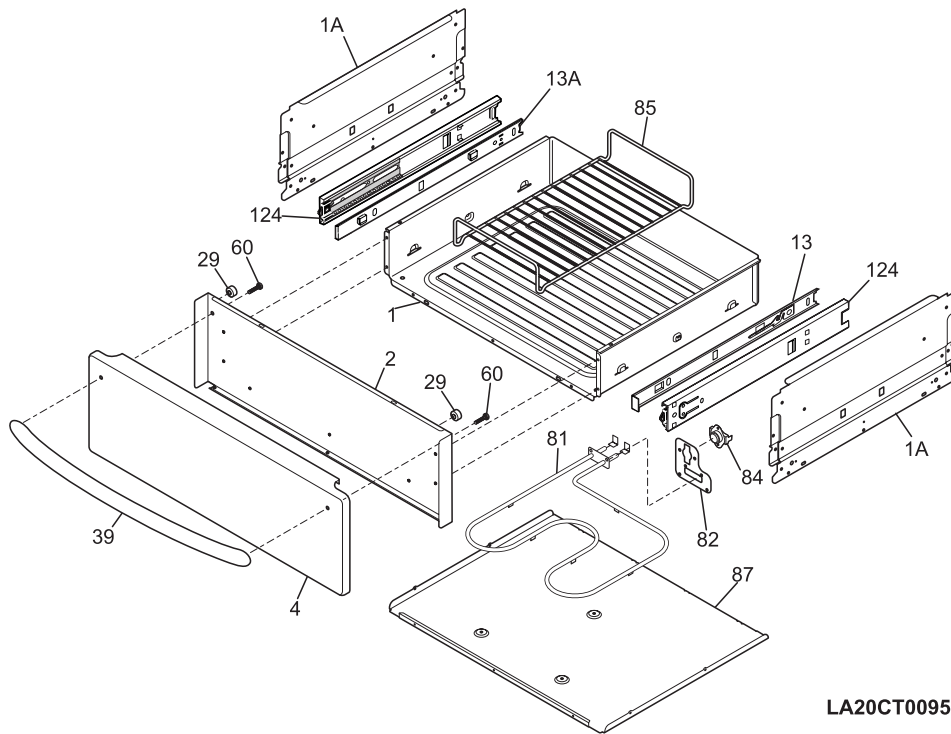
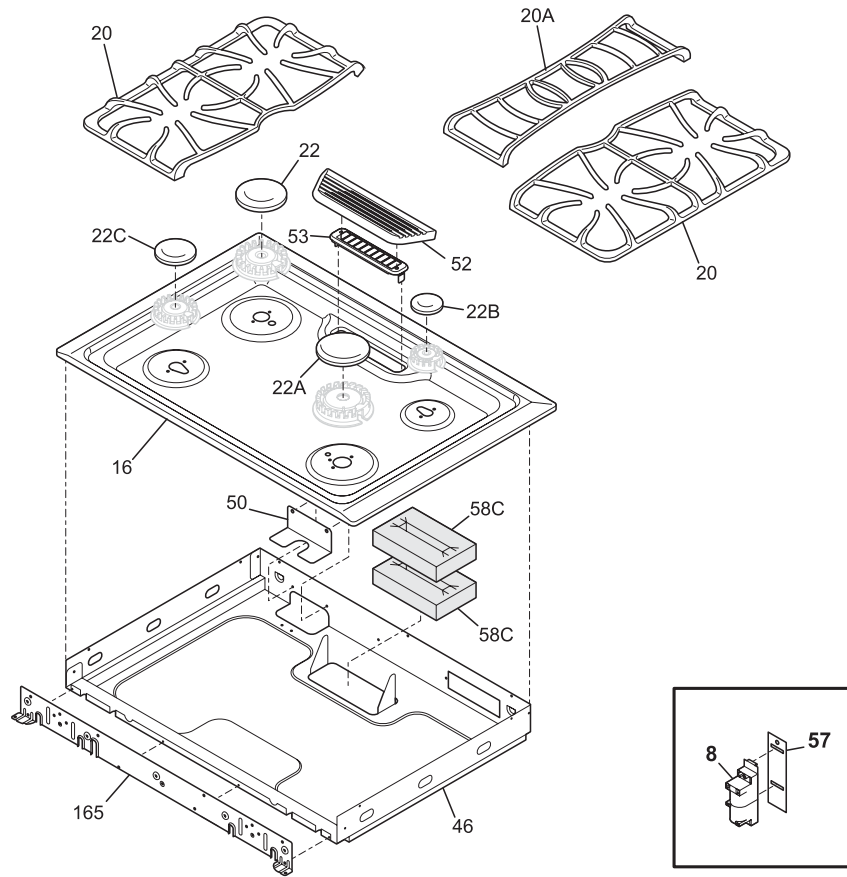
POS. NO	PART NO.		DESCRIPTION
1	318259220	A B C D	Back, main
1A	318225110	A B C D	Panel, main back, upper
2	318258902	A B C D	Shield, insulation, upper
3	318225210	A B C D	Panel, bodyside, upper RH
3A	318225211	A B C D	Panel, bodyside, upper LH
5	318175508	A B C D	Screw, leveling
6	318345214	A B C D	Rack, oven, (3)
8	318290501	A B C D	Panel, oven, bottom
8A	318367401	A B C D	Bracket, retainer, (2)
9	316081900	A B C D	Pan, broilerOPTIONAL ACCESSORY
10	316082000	A B C D	Insert, broiler panOPTIONAL ACCESSORY
12 #	316445501	A B C D	Switch, oven light, door frame
14	318224000	A B C D	Receptacle, oven light
15	5303013071	A B C D	Bulb/Lamp, light
16	318406100	A B C D	Lens, oven light, glass
17	5304400195	A B C D	Retainer, light cover
25	318291900	A B C D	Bracket, shield, lower
29	316517600	A B C D	Spacer, oven door
33	318287800	A B C D	Panel, valve mtg.
34	318289400	A B C D	Panel, valve filler
35	318291300	A B C D	Seal, flue cavity
36	318288801	A B C D	Box, flue assy.
37 #	316217002	A B C D	Probe, oven temp
39	318144008	A B C D	Cord, service
40	318291800	A B C D	Box, oven burner
41	5303310526	A - C -	Cover, hinge cutout
42	318288701	A B C D	Bracket, body, middle
54	318222400	A B C D	Housing, oven light
57	318268300	A B C D	Cover, burner opening
58A	318285084	A B C D	Insulation, oven wrapper
58B	318285085	A B C D	Insulation, oven back
58C	318285097	A B C D	Insulation, flue
70	318259100	A B C D	Shield, insulation, sides, (2)
71	318260007	A B C D	Panel, rear box
76	318056217	A - C -	Front, oven
76	318056292	- B - D	Front, oven
80	5303320846	A B C D	Plate, oven mtg
81	318192400	A B C D	Spring, oven
*	5303323129	A B C D	Screw, 8 X 0.750
83	318327019	A B C D	Liner, oven
86	318342400	A - C -	Receptacle, hinge
86	318561100	- B - D	Receptacle, hinge, (2)
87	318260604	A B C D	Bracket, cable mtg.
89 #	318261215	A B C D	Motor, latch assy
*	5304436875	A B C D	Screw, 8-18 X 1/2, black
90	318296904	A B - -	Panel, filler, black, RH
90	318296902	- - C D	Panel, filler, white, RH

BODY

Model Index: A GLGS389F (GLGS389FBF)
 B GLGS389F (GLGS389FBG)
 C GLGS389F (GLGS389FSF)
 D GLGS389F (GLGS389FSG)

POS. NO	PART NO.		DESCRIPTION
90A	318296905	A B - -	Panel, filler, black, LH
90A	318296903	- - C D	Panel, filler, white, LH
102	318327500	A B C D	Panel, reinforcement
107	318219405	A B C D	Cover, fan
108#	318073028	A B C D	Motor, blower
108A	318251300	A B C D	Bracket, fan support
109	318398300	A B C D	Fan Blade
111	318399800	A B C D	Nut, fan retainer
125#	5304463302	A B C D	Motor-convection
125*	318142100	A B C D	Washer, motor, convection
161#	318255503	A B C D	Element, convection, 350 W
166	318298410	A B C D	Bracket, base support, (2)
166A	318298403	A B C D	Bracket, base support, lower, (2)
170	318335500	A B C D	Anti-tip & accessories
200	318298221	A B C D	Frame, drawer, front
201	318298210	A B C D	Frame, drawer
272	318249403	A B C D	Tube, protector
285	318236201	A B C D	Shield, hidden wires
* #	318306627	A B C D	Harness, wiring, main
*	5304400192	A B C D	retainer wire
*	318165800	A B C D	Spacer
*	3051050	A B C D	Screw, shoulder
*	08016432	A B C D	Screw, truss head, 8-18 x 0.375
*	5303211311	A B C D	Screw, 8 x 0.500
*	5303307980	A B C D	Screw, 8-32 x 0.437, (8)
*	5304415832	A B C D	Screw, 8-18 x 0.406

TOP



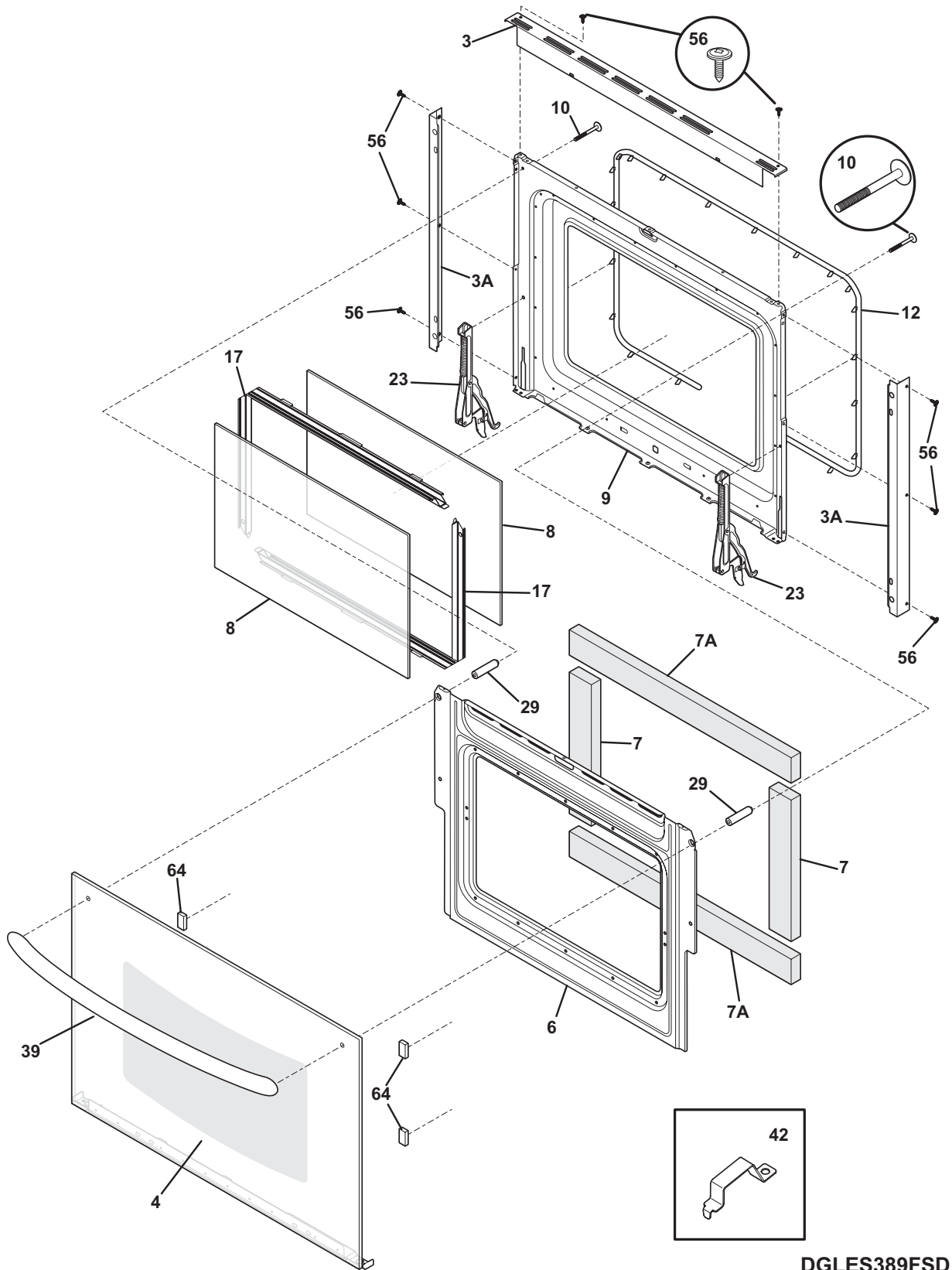
LA20CT0095

TOP

Model Index: A GLGS389F (GLGS389FBF)
 B GLGS389F (GLGS389FBG)
 C GLGS389F (GLGS389FSF)
 D GLGS389F (GLGS389FSG)

POS. NO	PART NO.		DESCRIPTION
1	318304401	A B C D	Drawer, body assembly
1A	318300003	A - C -	Panel, warmer drawer, side, (2)
1A	318300002	- B - D	Panel, warmer drawer, side, (2)
2	318303901	A B C D	Panel, drawer, black, inner
4	318299908	A B - -	Panel, drawer, black, front
4	318299906	- - C D	Panel, drawer, white, front
8 #	316135701	A B C D	Module, spark
13	318259507	A B C D	Glide, warmer, inner RH
13A	318259506	A B C D	Glide, warmer, inner LH
16	318327305	A B - -	Maintop Assembly, black
16	318327303	- - C D	Maintop Assembly, white
20	316424601	A B - -	Grate, black, (2)
20	316424605	- - C D	Grate, gray, (2)
20A	318307101	A B - -	Grate, black, center
20A	318307105	- - C D	Grate, gray, center
22	316219900	A B - -	Cap, 14K burner, black
22	316219901	- - C D	Cap, 14K burner, grey
22A	316271900	A B - -	Cap, 17K burner, black
22A	316271901	- - C D	Cap, 17K burner, gray
22B	316206600	A B - -	Cap, 5K burner, black
22B	316206601	- - C D	Cap, 5K burner, gray
22C	316213500	A B - -	Cap, 9.5K burner, black
22C	316213501	- - C D	Cap, 9.5K burner, gray
29	318147430	A B C D	Bumper, (2)
39	318372412	A B - -	Handle, door, black, w/spacer
39	318372410	- - C D	Handle, door, white, w/spacer
46	318291400	A B C D	Box, burner
50	318328500	A B C D	Cover, burner box
52	318291102	A B - -	Cover, flue, black, outer
52	318291100	- - C D	Cover, flue, white, outer
53	318308303	A B C D	Cover, flue, black
57	318295611	A B C D	Panel, service
58C	318285097	A B C D	Insulation, flue
60	5304459529	A B C D	Screw, handle mtg., #10-24 x 1 7/8, (2)
81 #	318255301	A B C D	Element, warmer drawer
*	316095800	A B C D	Clip, hold down, warmer element
82	318304500	A B C D	Bracket, element, warmer drawer
84 #	318005108	A B C D	Thermostat
85	318345601	A B C D	Rack, warmer drawer
87	318300102	A B C D	Panel, warmer drawer, lower
124	316105501	A B C D	Glide, outer/RH & LH, (2)
165	318227504	A B C D	Plate, mounting
*	318199748	A B C D	Wiring Harness, drawer
*	08016432	A B C D	Screw, truss head, 8-18 x 0.375
*	5303211311	A B C D	Screw, 8 x 0.500
*	5303300265	A B C D	Screw, 8-18 X 1/2, (4)

DOOR



DGLES389FSD

DOOR

Model Index: **A** GLGS389F (GLGS389FBF)
 B GLGS389F (GLGS389FBG)
 C GLGS389F (GLGS389FSF)
 D GLGS389F (GLGS389FSG)

POS. NO	PART NO.		DESCRIPTION
3	318260201	A B C D	Trim, oven door, black, upper
3A	318260401	A B C D	Trim, oven door, side, (2)
4	318261300	A B - -	Glass Assy., oven door, black, outer, w/trim
4	318261301	- - C D	Glass Assy., oven door, white, outer, w/trim
6	318260522	A B C D	Baffle, door
7	318372000	A B C D	Insulation, door, (2)
7A	318372002	A B C D	Insulation, door, (2)
8	316117500	A B C D	Glass, oven door, heat barrier
9	318259601	A - C -	Liner, oven door, upper
9	318360111	- B - D	Liner, oven door
10	5304459529	A B C D	Screw, handle mtg., #10-24 x 1 7/8, (2)
12	318053130	A B C D	Seal, oven door, lower
17	318264710	A B C D	Spacer, glass, lower, (2)
23	318024741	A - C -	Hinge, door, (2)
23	316456307	- B - D	Hinge, oven door, purple titan, (2)
29	318014405	A B C D	Spacer, door
39	318372412	A B - -	Handle, door, black, w/spacer
39	318372410	- - C D	Handle, door, white, w/spacer
42	318382301	A B C D	Bracket, glass retainer, (4)
56	5304436875	A B C D	Screw, 8-18 X 1/2, black
64	318165800	A B C D	Spacer
*	316221001	A B C D	Label, anti-tip
*	5304415832	A B C D	Screw, 8-18 x 0.406

WIRING DIAGRAM

