

FRIGIDAIRE GALLERY

FGET3066U D/F

DOUBLE WALL OVEN 30" ELECTRIC

Smudge-Proof
STAINLESS STEEL

Smudge-Proof
BLACK STAINLESS STEEL



AVAILABLE COLORS



Black
Stainless



Stainless

PRODUCT DIMENSIONS

Height (Max.) 50-7/16"

Width 30"

Depth (Incl. Handle) 27 1/8"

MORE EASY-TO-USE FEATURES

Cleanup is Easy with Hidden Bake

Lower heating elements are beneath the oven floor, making for a smooth surface that is easy to clean.

Smudge-Proof® Stainless Steel

Resists fingerprints and cleans easily. Available in Stainless Steel and Black Stainless Steel finishes.

Our Largest Capacity Oven

Cook more at once with 5.1 cubic feet of oven capacity.

Easily Access Dishes with our Glide Rack

Rack easily glides in and out allowing you to access dishes from your oven.

Oven Rack Handles

Oven racks are designed with space for you to easily pull out the racks, even when wearing an oven mitt.

Easy to Clean with Self-Cleaning

Your oven cleans itself - so you don't have to. Self clean options available in 2, 3, and 4-hour cycles.

Even Baking Technology

Our Even Baking Technology ensures even baking every time.

Vari-Broil™ Temperature Control

Allows you to choose between two heat levels.

CERTIFICATIONS

Star-K® Certified (*Sabbath Mode*)

SIGNATURE FEATURES



Faster, More Even Baking Results with True Convection

Get faster, more even multi-rack baking with a powerful convection fan and third heating element that evenly circulates hot air throughout the oven.



Effortless™ Temperature Probe

The Effortless™ Temperature Probe detects and alerts when the desired finished cooking temperature has been reached and automatically switches to the keep warm setting (upper oven only).



Quick Preheat

Preheat in just a few minutes.¹

FRIGIDAIRE
FIT PROMISE

Frigidaire Fit Promise

We promise that your new 27" or 30" Frigidaire® single or double wall oven will fit your existing cabinet cutout of the same width and configuration, or we will reimburse you for installation costs up to \$300.*

* Via mail-in rebate. See Frigidaire.com/FitPromise for additional information.

¹ Based on single rack cooking performance, not set temperature, using Quick Preheat.

FGET3066U D/F DOUBLE WALL OVEN

30" ELECTRIC

FRIGIDAIRE
GALLERY

FEATURES

| | |
|-----------------------|--|
| Control/Timing System | Express-Select® Controls |
| Window | Extra-Large |
| Exterior Door Finish | Smudge-Proof® Stainless Steel (F), Smudge-Proof® Black Stainless (D) |
| Handle Design | Stainless Steel (F), Black Stainless (D) |
| Oven Cleaning System | Self-Clean w/ Steam Clean Option |

OVEN CONTROLS

| | |
|-----------------------------------|-------------------------------|
| Bake/Broil | Yes / Variable (400 - 550 °F) |
| Effortless™ Convection Conversion | Yes |
| Convection Bake / Broil / Roast | Yes / Yes / Yes |
| Oven Preheat | Quick |
| My Favorite | |
| Slow Cook | |
| Bread Proof Button | Yes |
| Effortless™ Temperature Probe | Yes |
| Keep Warm | Yes |
| Add-a-Minute | Yes |
| Delay Start | Yes |
| Self-Clean / Clean Options | Yes / 2, 3 4 Hours |
| Steam Clean | Yes |
| Delay Clean | Yes |
| Kitchen Timer / Timed Cook Option | Yes / Yes |
| Control Lock | Yes |
| Auto Oven Shut-Off | 6 Hours |
| Oven Lock-Out | Yes |

UPPER OVEN FEATURES

| | |
|------------------------------|-----------------------------|
| Capacity (Cu.Ft.) | 5.1 |
| Convection System | True Convection |
| Oven Light | 2 Halogen |
| Hidden Bake Element | Yes |
| Rack Configuration | 2 Heavy Duty, 1 Offset Rack |
| Baking System | Even Baking Technology |
| Broiling System | Power Broil |
| Bake / Broil Element (Watts) | 2,200 / 4,000 |

LOWER OVEN FEATURES

| | |
|------------------------------|------------------------|
| Capacity (Cu.Ft.) | 5.1 |
| Convection System | True Convection |
| Oven Light | 2 Halogen |
| Hidden Bake Element | Yes |
| Rack Configuration | 3 Heavy Duty |
| Baking System | Even Baking Technology |
| Broiling System | Power Broil |
| Bake / Broil Element (Watts) | 2,200 / 4,000 |

OPTIONAL ACCESSORIES

| | |
|---|---|
| 3"-High Bottom Trim - Black Stainless (D) / Stainless Steel (F) | (D) PN# 5304520624 (F) PN # 5304520627 |
| 10'-Long Armored Power Cable | PN # 903056-9010 |

CERTIFICATIONS

| | |
|----------------------------------|-----|
| Star-K® Certified (Sabbath Mode) | Yes |
|----------------------------------|-----|

SPECIFICATIONS

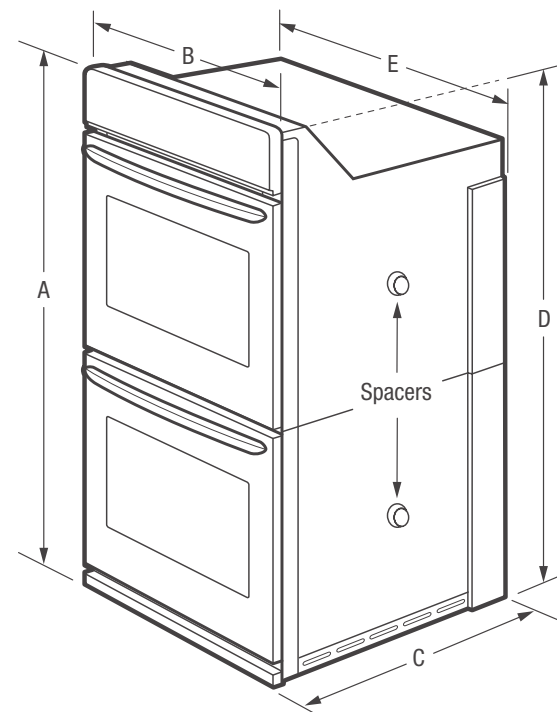
| | |
|---|-----------------------------|
| Oven Interior (H x W x D) | 18 5/8" x 24 1/8" x 19 1/2" |
| Power Supply Connection Location | Left Bottom Rear |
| Voltage Rating | 240V / 208V / 60Hz |
| Connected Load (kW Rating) @ 240 / 208 Volts² | 9 / 6.8 |
| Amps @ 240 / 208 Volts | 37.5 / 32.7 |
| Minimum Circuit Required (Amps) | 40 |
| Shipping Weight (Approx.) | 280 Lbs. |

PRODUCT DIMENSIONS

| | |
|--------------------------|----------|
| A - Height (Max.) | 50-7/16" |
| B - Width | 30" |
| C - Depth (Incl. Handle) | 27 1/8" |
| D - Height (Wrapper) | 48-5/8" |
| E - Width (Wrapper) | 28-1/4" |
| Depth with Door Open 90° | 45-3/4" |

CABINET CUTOUT DIMENSIONS

| | |
|------------------------|-------------------|
| Height (Min.) / (Max.) | 48-7/8" / 49-7/8" |
| Width (Min.) / (Max.) | 28-1/2" / 29" |
| Depth (Min.) | 24" |



Note: For planning purposes only. Always consult local and national electric, gas and plumbing codes. Refer to Product Installation Guide for detailed installation instructions on the web at frigidaire.com / frigidaire.ca. Specifications subject to change. Accessories information available on the web at frigidaire.com / frigidaire.ca

FRIGIDAIRE

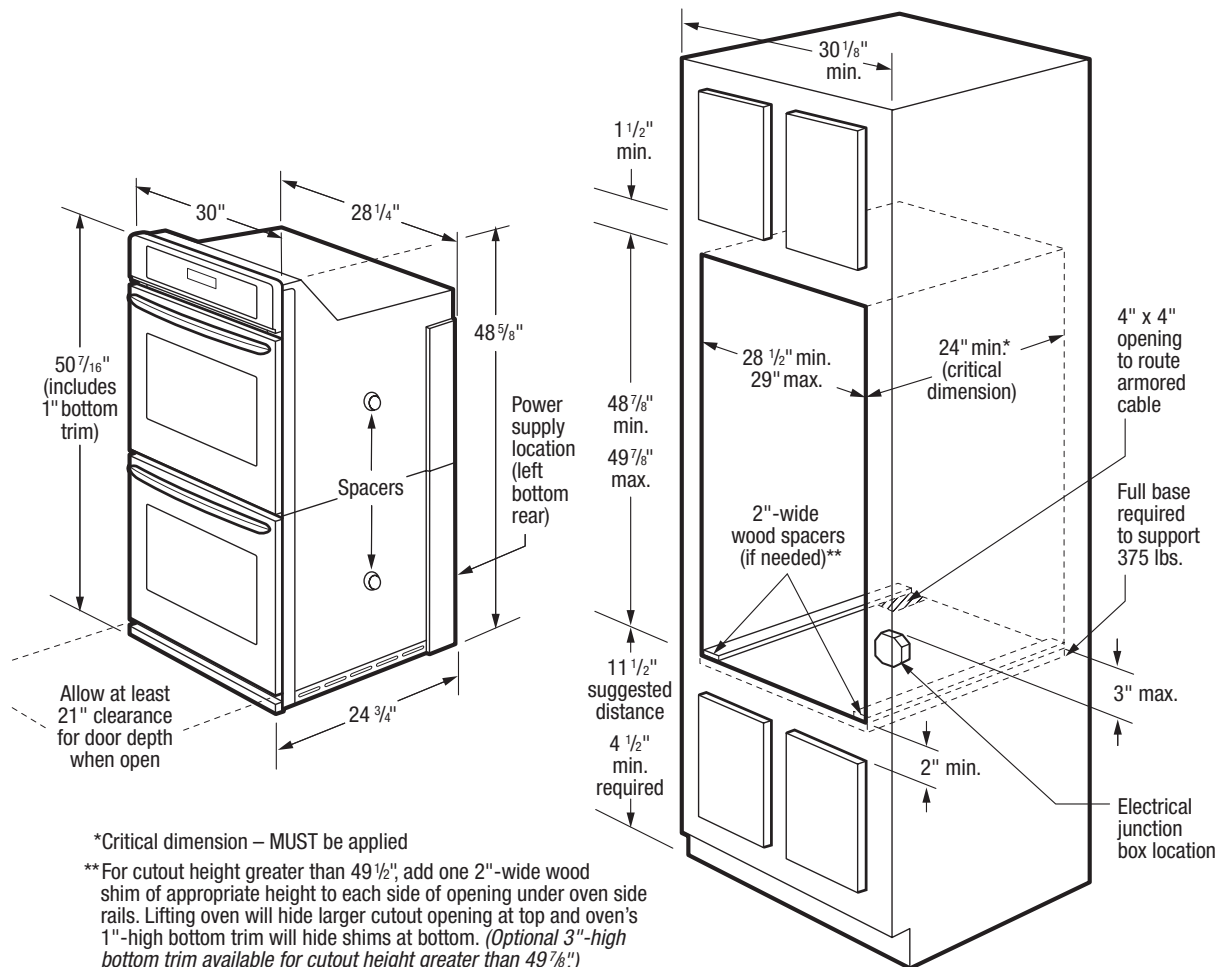
USA • 10200 David Taylor Drive • Charlotte, NC 28262 • 1-800-FRIGIDAIRE • frigidaire.com
CANADA • 5855 Terry Fox Way • Mississauga, ON L5V 3E4 • 1-800-265-8352 • frigidaire.ca

FGET3066U 03/19
©2019 Electrolux Home Products, Inc.

FGET3066U D/F DOUBLE WALL OVEN

30" ELECTRIC

FRIGIDAIRE
GALLERY



INSTALLATION SPECIFICATIONS

- Product Shipping Weight (approx.) – 280 Lbs.
- Single phase 3- or 4-wire cable, 120 / 240 or 120 / 208 Volt, 60 Hertz AC only electrical supply with ground required on separate circuit fused on both sides of line.
- Connected Load (kW Rating) @ 240 / 208 Volts = 9 / 6.8 kW
- Amps @ 240 / 208 Volts = 37.5 / 32.7 Amps
- Recommended Circuit Breaker – 40 Amps
- Always consult local and national electric codes.
- Minimum 2" clearance for oven door depth when open.
- Suggested distance from floor is 11-1/2". Minimum required distance is 4-1/2".
- Minimum 24" deep cutout dimension is critical for proper installation, to ensure that oven's faceplate will fit flush against cabinet front.
- To adapt oven to fit cutout height greater than 49-1/2", add one 2"-wide wood shim of appropriate height to each side of opening under oven side rails. Lifting oven will hide larger cutout opening at top and oven's 1"-high bottom trim will hide shims at bottom. (Standard 1"-High Bottom Trim included.)
- To adapt oven to fit cutout height greater than 49-7/8", optional 3"-High Bottom Trim available.

- Full oven base of solid plywood or similar material required, capable of supporting 375 Lbs.
- Base must be level and cabinet front must be square.
- Double Wall Ovens are NOT approved to be used in stackable or side-by-side installation.

OPTIONAL ACCESSORIES

- 3"-High Black Stainless Steel Bottom Trim – (PN #5304520624).
- 3"-High Stainless Steel Bottom Trim – (PN #5304520627).
- 10'-Long Armored Power Cable – (PN # 903056-9010).



FRIGIDAIRE

USA • 10200 David Taylor Drive • Charlotte, NC 28262 • 1-800-FRIGIDAIRE • frigidare.com
CANADA • 5855 Terry Fox Way • Mississauga, ON L5V 3E4 • 1-800-265-8352 • frigidare.ca

Note: For planning purposes only. Always consult local and national electric, gas and plumbing codes. Refer to Product Installation Guide for detailed installation instructions on the web at [frigidare.com / frigidare.ca](http://frigidare.com/frigidare.ca). Specifications subject to change. Accessories information available on the web at frigidare.com / frigidare.ca

FGET3066U 03/19
©2019 Electrolux Home Products, Inc.