

Frigidaire Gallery



Double Wall Oven

30" Double Electric Wall Oven with Air Fry

FGET3069UF

Available Colors : Stainless Steel

Version : 10/20

Cooking Controls

Add A Min	Yes
Air Fry	Yes
Bake	Yes
Bread Proof	Yes
Broil	Yes
Cancel	Yes
Convection Bake	Yes
Convection Convert	Yes
Convection Roast	Yes
Cook Time	Yes
Keep Warm	Yes
Kitchen Timer	Yes
Lockout	Yes
Oven Light	Yes
Probe	Yes
Quick Preheat	Yes
Self Clean	Yes
Set Clock	Yes
Start	Yes
Steam Clean	Yes

Oven

Bake System	Yes
Bake Element Type	Hidden
Bake Element Pass	8
Bake Element	2,200 Watts
Broil System	Yes
Broil Element Pass	6
Broil Element	4,000 Watts
Convection Type	Fan
Convection Element	2,500 Watts
Rack Position Type	Nickel Ladder
Number of Rack Positions	6
Rack Type 1 Quantity	2
Rack Type 2	Glide

Rack Type 2 Quantity	1
Window Type	Extra Large Window

Controls

Sabbath Mode	Yes
--------------	-----

Display

Display Type	Capacitive Touch
--------------	------------------

Exterior

Exterior Finish	Smudge-Proof® Stainless Steel
Handle Color	Stainless Steel

Dimensions and Volume

Height	50 3/4"
Width	30"
Depth	24 3/4"
Depth With Door 90° Open	45 3/4"
Lower Oven Interior Height	18 5/8"
Lower Oven Interior Width	24 1/8"
Lower Oven Interior Depth	19 1/2"
Upper Oven Interior Height	18 5/8"
Upper Oven Interior Width	24 1/8"
Upper Oven Interior Depth	19 1/2"

Electrical Specifications

Connected Load @ 240V	9.5 kW
Voltage Rating	240 V

Installation

Frigidaire Fit Promise	Yes
Power Supply Connection Location	Bottom Left

General Specifications

Product Weight	260 lbs
Prop 65 Label	Yes

Note: For planning purposes only. Always consult local and national electric, gas and plumbing codes.

Refer to Product Installation Guide for detailed installation instructions on the web at frigidaire.com / frigidaire.ca

Specifications subject to change. Accessories information available on the web at frigidaire.com / frigidaire.ca

USA • 10200 David Taylor Drive • Charlotte, NC 28262 • 1-800-FRIGIDAIRE • frigidaire.com

CANADA • 5855 Terry Fox Way • Mississauga, ON L5V 3E4 • 1-800-265-8352 • frigidaire.ca

Frigidaire Gallery

30" Double Electric Wall Oven with Air Fry

FGET3069UF

Version : 10/20

Warranty - Labor	1 Year
------------------	--------

Warranty - Parts	1 Year
------------------	--------

Certifications & Approvals

ADA Compliant	No
---------------	----

Safety Certifications & Approvals

UL Listed	Yes
-----------	-----

Note: For planning purposes only. Always consult local and national electric, gas and plumbing codes.

Refer to Product Installation Guide for detailed installation instructions on the web at frigidaire.com / frigidaire.ca

Specifications subject to change. Accessories information available on the web at frigidaire.com / frigidaire.ca

USA • 10200 David Taylor Drive • Charlotte, NC 28262 • 1-800-FRIGIDAIRE • frigidaire.com

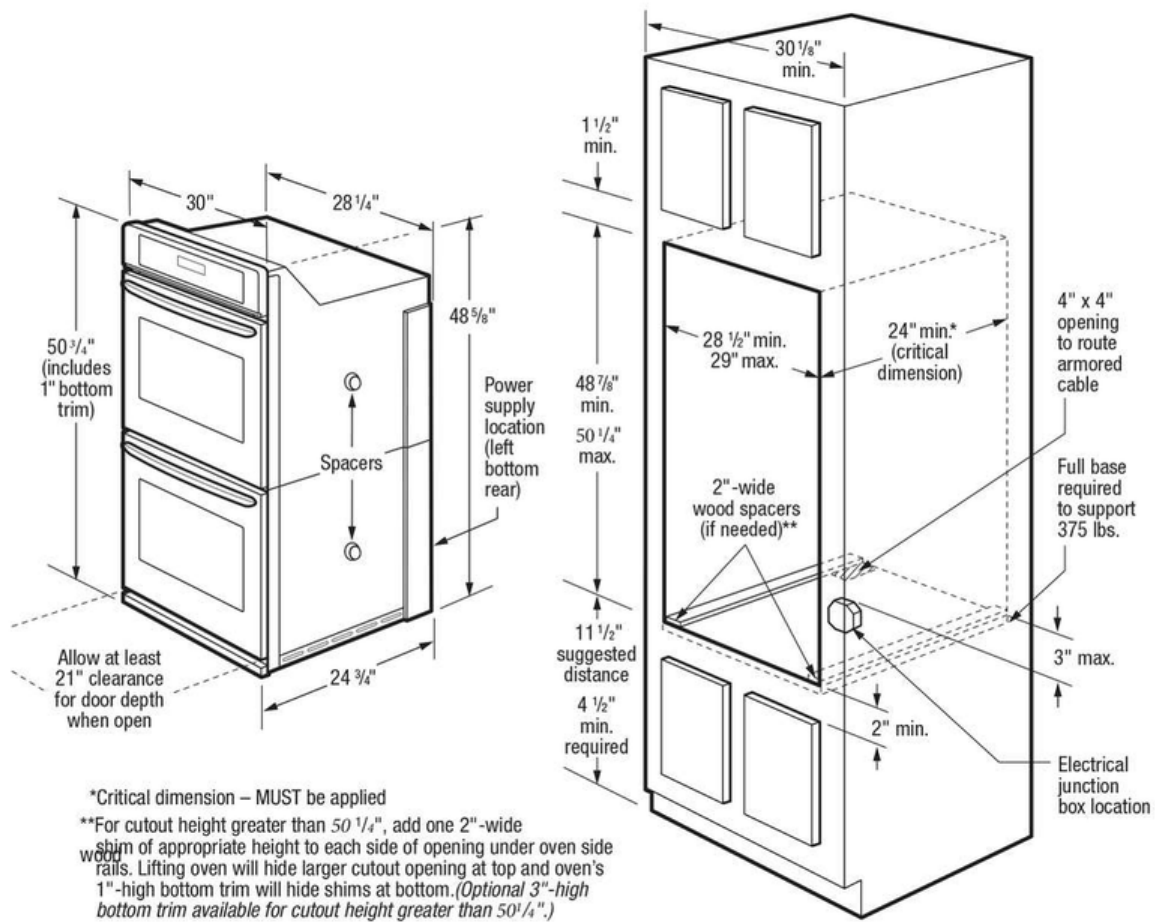
CANADA • 5855 Terry Fox Way • Mississauga, ON L5V 3E4 • 1-800-265-8352 • frigidaire.ca

Frigidaire Gallery

30" Double Electric Wall Oven with Air Fry

FGET3069UF

Version : 10/20



Note: For planning purposes only. Always consult local and national electric, gas and plumbing codes.

Refer to Product Installation Guide for detailed installation instructions on the web at frigidaire.com / frigidaire.ca

Specifications subject to change. Accessories information available on the web at frigidaire.com / frigidaire.ca

USA • 10200 David Taylor Drive • Charlotte, NC 28262 • 1-800-FRIGIDAIRE • frigidaire.com

CANADA • 5855 Terry Fox Way • Mississauga, ON L5V 3E4 • 1-800-265-8352 • frigidaire.ca