

Frigidaire

Factory Parts Catalog

Product No.	PL30DD50EC	PL36DD50EC
Market	North America	North America
Color	stainless steel	stainless steel
Exhaust-CFM	500 CFM	500 CFM
Volts	120	120
Owner's Guide	99043820	99043820
Installation Instructions	99043820	99043820
Wiring Diagram	5995459137	5995459137

 **Electrolux**

Electrolux Major Appliances
 North & Latin America
 P.O. BOX 212378
 AUGUSTA, GA 30917

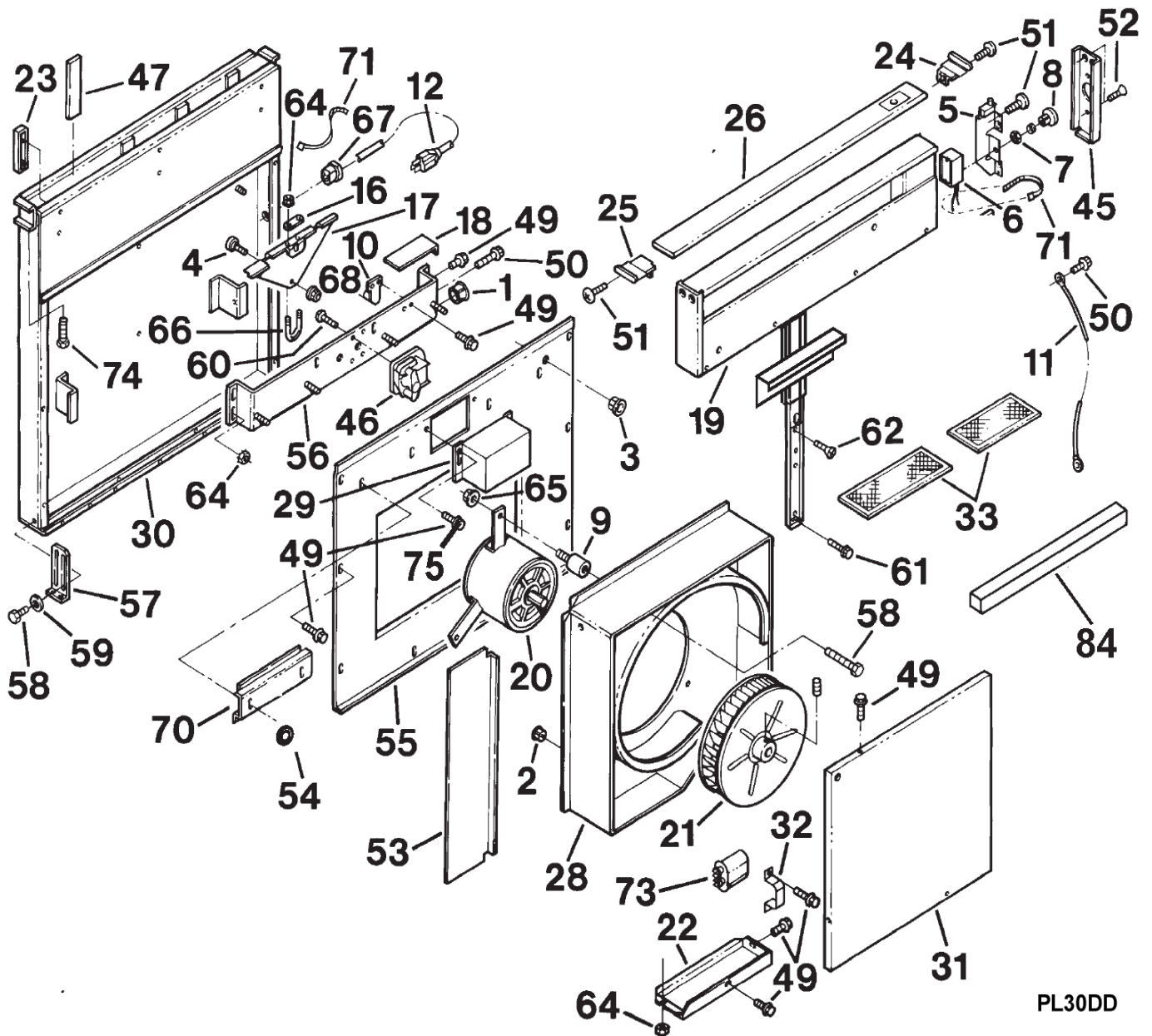
Publication No.
5995459137
 06/02/03
 (EN/SERVICE/KC)
 099

RANGE HOOD

Model No.
 PL30DD50E
 PL36DD50E

Copyright © 2006 Electrolux Home Products, Inc.
 All rights reserved.

REPLACEMENT PARTS

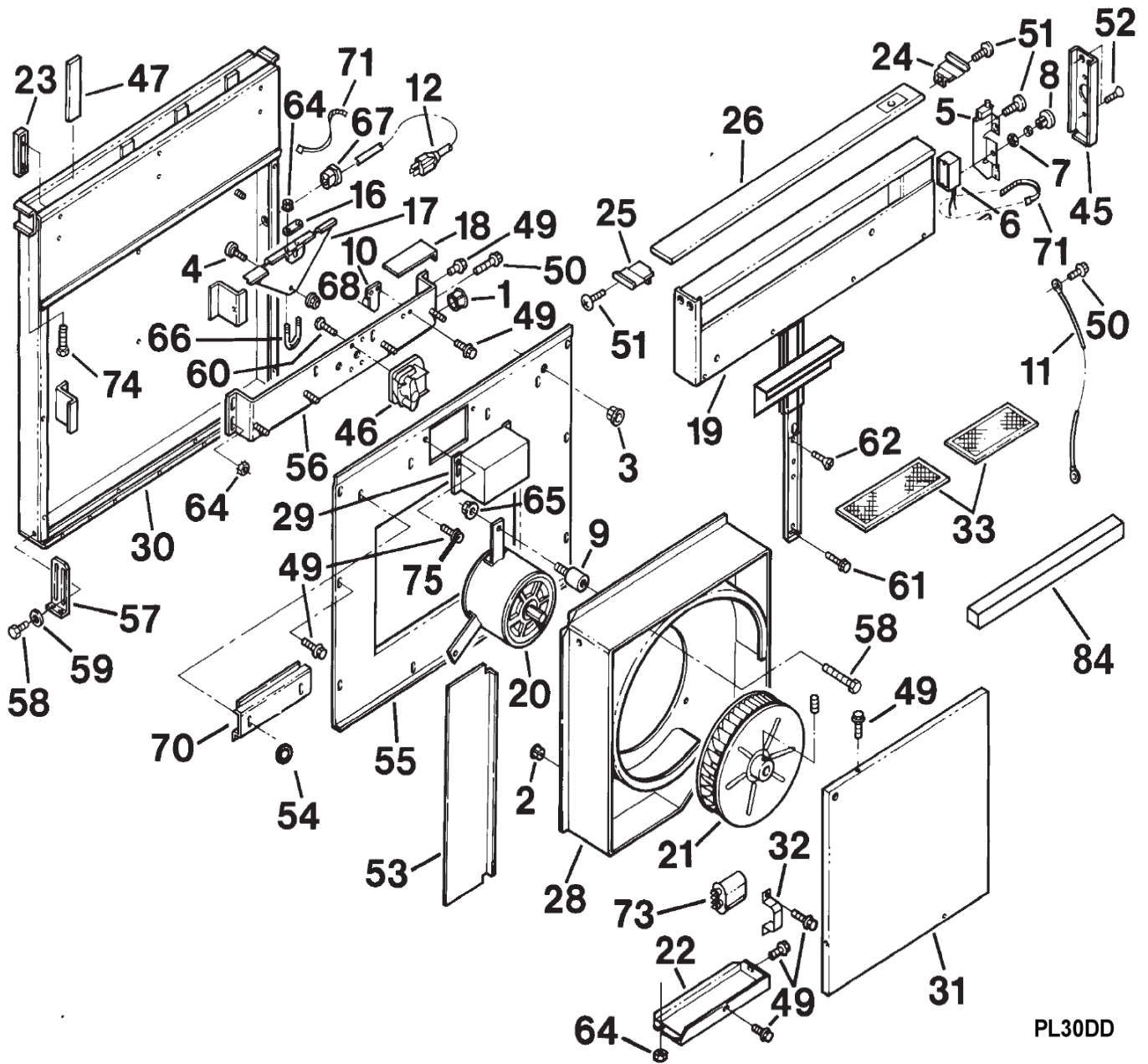


REPLACEMENT PARTS

Model Index: A PL30DD50E (PL30DD50EC)
 B PL36DD50E (PL36DD50EC)

POS. NO	PART NO.		DESCRIPTION
1	5303282136	A B	Bushing, grommet, 7/8 inch
2	5303304156	A B	Bushing, split, 5/8 inch
3	5303304157	A B	Bushing, 1/2 inch
4	5303304158	A B	Roller
5 #	5303304159	A B	Switch Assembly, vent up/down
6 #	5303304160	A B	Wiring Harness, speed control
7	5303303680	A B	Nut, 3/8-32
8	5303282102	A B	Knob, control, on/off/speed
9	5303304055	A B	Isolator, motor mount
10	5303282119	A B	Bracket, switch assembly, lower
11	5304452621	A B	Wire, ground, green
12 #	5303304161	A B	Wiring Harness, main
16	5303282118	A B	Plate, back-up
17	5303282116	A B	Crank
18	5303304164	A B	Cover, switch
19	5303304165	A -	Chimney Assy, 30 inch, w/slide
19	5303304166	- B	Chimney Assy, 36 inch, w/slide
20 #	5303304167	A B	Motor, with capacitor
21 #	5303304168	A B	Blower Wheel, fan
22	5303304169	A B	Extension, scroll box
23	5303282128	A B	Spacer, air box
24	5303304170	A B	Bracket, top cover, right side
25	5303304171	A B	Bracket, top cover, left side
26	5304454055	A -	Panel, top cover, stainless
26	5304452714	A -	Panel, top cover, white(Optional Kit)
26	5304452716	A -	Panel, top cover, black(Optional Kit)
26	5304454056	- B	Panel, top cover, stainless
26	5304452717	- B	Panel, top cover, white(Optional Kit)
26	5304452719	- B	Panel, top cover, black(Optional Kit)
28	5303304173	A B	Scroll Box, blower housing
29	5303303934	A B	Cover, gear motor
30	5303304174	A -	Air Box, 30 inch model
30	5303304175	- B	Air Box, 36 inch model
31	5303304176	A B	Cover, scroll box
32	5303304177	A B	Strap, capacitor mount
33 #	5303282108	A -	Filter, kit, with 2 filters
33 #	5303282109	- B	Filter, kit, with 2 filters
45	5304454057	A B	End Cap, switch cover
46 #	5303282122	A B	Gearmotor
47	5303282129	A B	Slide Strip, air box
49	5303281950	A B	Screw, sheet metal, 8-18 x 0.375
50	5303282015	A B	Screw, ground, 10-32 x 0.500
51	5304452625	A B	Screw, 8-18 x 0.375
52	5303282099	A B	Screw, 8-18 x 0.500
53	5303304178	A -	Cover, air box opening, 30" unit
53	5303304179	- B	Cover, air box opening, 36" unit
54	5303282107	A B	Nut, 10-24
55	5303303935	A -	Cover, air box, 30" unit
55	5303304180	- B	Cover, air box, 36" unit

REPLACEMENT PARTS



REPLACEMENT PARTS

Model Index: A PL30DD50E (PL30DD50EC)
B PL36DD50E (PL36DD50EC)

POS. NO	PART NO.		DESCRIPTION
56	5303304181	A B	Bracket, gearmotor mount
57	5303304182	A B	Bracket, leveling leg
58	5303282089	A B	Screw, 1/4-20 x 0.312
59	5303282126	A B	Washer, flat, 1/4 inch dia.
60	5304452648	A B	Screw, 8-32 x 0.500
61	5303282097	A B	Screw, locking, 10-24 x 0.375
62	5303282096	A B	Screw, 10-24 x 0.375
64	5303282117	A B	Nut, hex, 10-24, w/lock washer
65	5303282085	A B	Nut, locking, 1/4-20
66	5303282115	A B	Bolt, U type, 10-24
67	5303282134	A B	Bushing, strain relief
68	5303282131	A B	Nut, hex flange, 5/16-18
70	5304452650	A B	Clamp, wire channel
71	5303282098	A B	Wire Tie
73 #	5303304184	A B	Capacitor, motor
74	5304452651	A B	Screw, 1/4-20 x 1.250
75	5303282121	A B	Screw, 8-18B x 0.250, (2)
84	5304450342	A -	Seal, 30 inch, foam
84	5304450341	- B	Seal, 36 inch, foam

