

INDUCTION COOKTOP INSTALLATION INSTRUCTIONS

INSTALLATION AND SERVICE MUST BE PERFORMED BY A QUALIFIED INSTALLER.

IMPORTANT: SAVE FOR LOCAL ELECTRICAL INSPECTOR'S USE. READ AND SAVE THESE INSTRUCTIONS FOR FUTURE REFERENCE.

⚠ WARNING FOR YOUR SAFETY: Do not store or use gasoline or other flammable vapors and liquids in the vicinity of this or any other appliance.

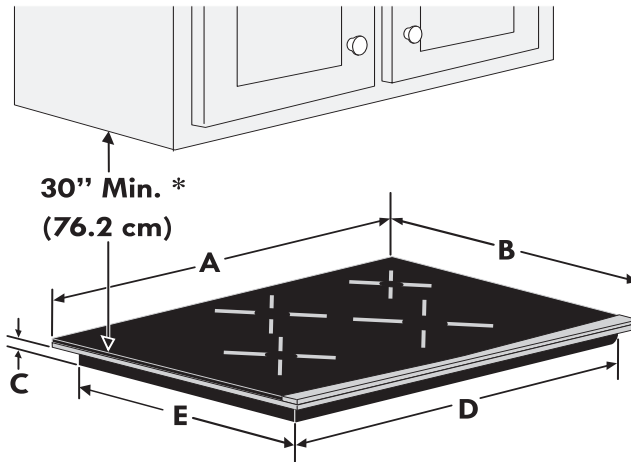


IMPORTANT INSTALLATION INFORMATION

- All electric cooktops run off a single phase, three-wire or four-wire cable, 240/208 volt, 60 hertz, AC only electrical supply with ground.
- Minimum distance between cooktop and overhead cabinetry is 30" (76.2 cm).

* 30" (76.2 cm) min. for unprotected cabinet and 24" (61 cm) min. for cabinet with protected bottom surface.

Cooktop Dimensions



Cooktop Cutout Dimensions

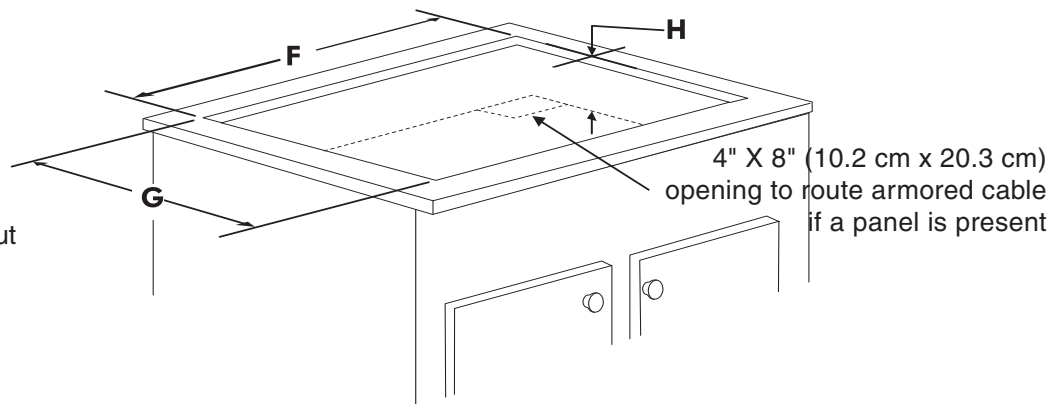


Figure 1

COOKTOP DIMENSIONS					CUTOUT DIMENSIONS				
A. WIDTH	B. DEPTH	C. HEIGHT	D. WIDTH	E. DEPTH	F. WIDTH		G. DEPTH		H. HEIGHT
					Min.	Max.	Min.	Max.	
30 ⁵ / ₈ (77.8)	21 ³ / ₈ (54.4)	2 ⁷ / ₈ (7.3)	28 ¹ / ₄ (71.8)	19 ³ / ₈ (49.2)	28 ¹ / ₂ (72.4)	29 ⁷ / ₈ (75.9)	19 ⁵ / ₈ (49.9)	20 ¹ / ₂ (52.1)	3 ⁵ / ₈ (9.2)
36 ³ / ₄ (93.4)	21 ³ / ₈ (54.4)	2 ⁷ / ₈ (7.3)	33 ⁵ / ₈ (85.4)	18 ⁷ / ₈ (47.9)	33 ⁷ / ₈ (86.0)	36 ¹ / ₈ (91.8)	19 ¹ / ₈ (48.6)	20 ¹ / ₂ (52.1)	3 ⁵ / ₈ (9.2)

All dimensions are stated in inches and (cm).

Allow 2" (5 cm) space below the armored cable opening to clear the electric cable and allow space for installation of the junction box on the wall at the back of the cooktop.

P/N A01705205 (0921) Rev. A

English – pages 1-8

Español – pages 9-16

Français - 17-24

INDUCTION COOKTOP INSTALLATION INSTRUCTIONS

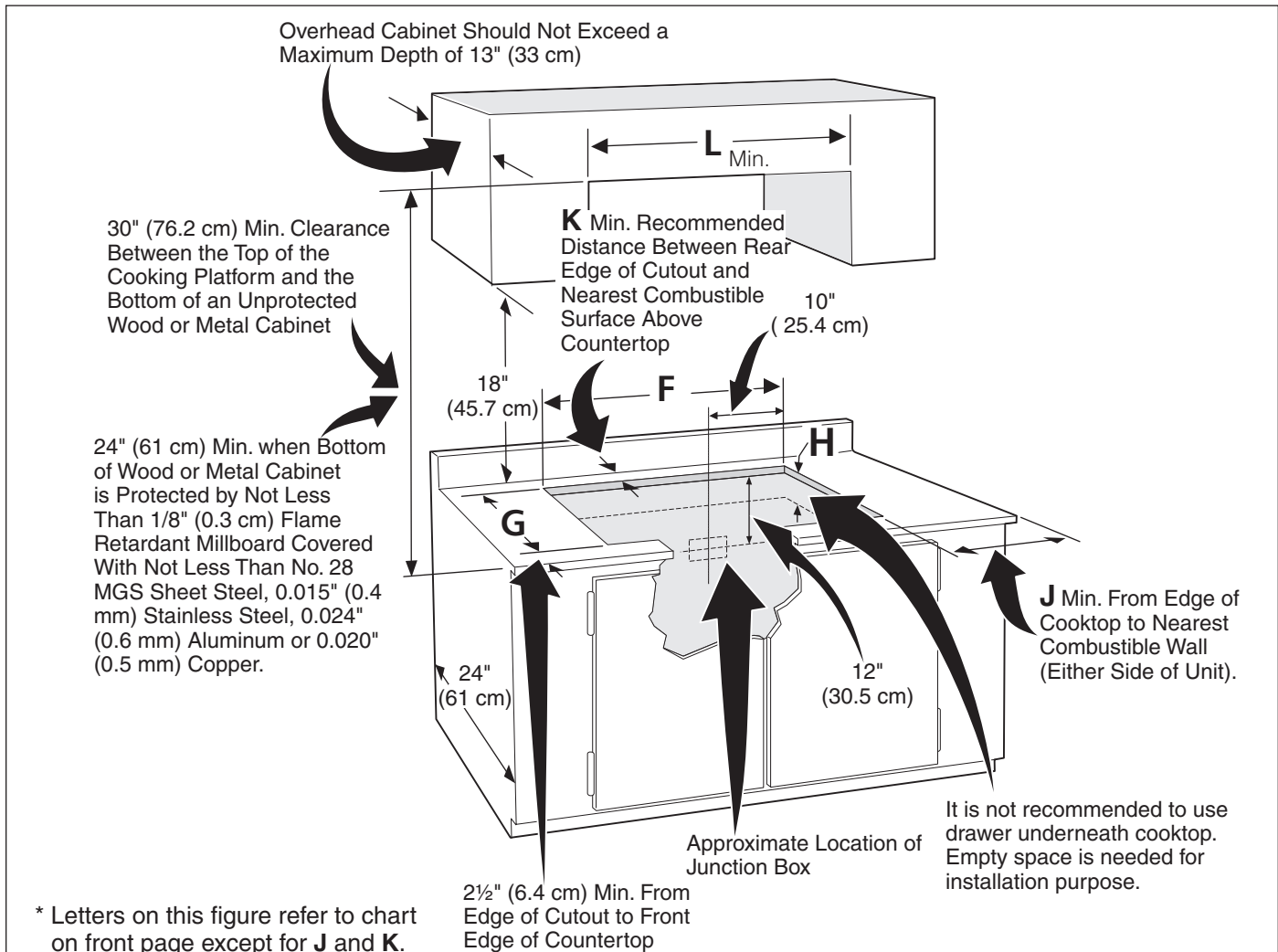


Figure 2 – COUNTERTOP CUTOUT OPENING

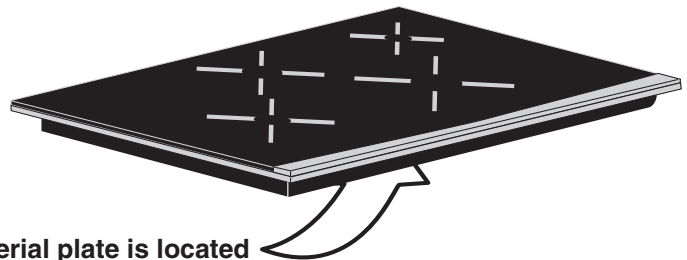
CAUTION To eliminate the risk of burns or fire by reaching over heated surfaces, cabinet storage space located above the cooktop should be avoided. If cabinet storage is provided, risk can be reduced by installing a range hood that projects horizontally a minimum of 5" (12.7 cm) beyond the bottom of the cabinets.

MODEL	J	K	L
30"	2" (5.1cm)	1 1/2" (3.8cm)	30 5/8" (77.8cm)
36"	2" (5.1cm)	2" (5.1cm)	36 3/4" (93.4cm)

Model and Serial Number Location

The serial plate is located under the cooktop.

When ordering parts for or making inquiries about your cooktop, always be sure to include the model and serial numbers and a lot number or letter from the serial plate on your cooktop.



Serial plate is located under the burner box of cooktop.

INDUCTION COOKTOP INSTALLATION INSTRUCTIONS

Important Notes to the Installer

1. Read all instructions contained in these installation instructions before installing the cooktop.
2. Remove all packing material before connecting the electrical supply to the cooktop.
3. Observe all governing codes and ordinances.
4. Be sure to leave these instructions with the consumer.
5. Only certain cooktop models may be installed over certain built-in electric oven models. Approved cooktops and built-in ovens are listed by the MFG ID number and product code.

Important Note to the Consumer

Keep these instructions with your Use and Care Guide for future reference.

IMPORTANT SAFETY INSTRUCTIONS

- **Be sure your cooktop is installed and grounded properly by a qualified installer or service technician.**
- **This cooktop must be electrically grounded in accordance with local codes or, in their absence, with the National Electrical Code ANSI/NFPA No. 70—latest edition in the United States.**

⚠ WARNING The electrical power to the cooktop must be shut off while line connections are being made. Failure to do so could result in serious injury or death.

Provide Electrical Connection

Install the junction box under the cabinet and run 120/240 or 120/208 Volt, AC wire from the main circuit panel. NOTE: DO NOT connect the wire to the circuit panel at this time.

Electrical Requirements

Observe all governing codes and local ordinances.

1. A 3-wire or 4-wire single phase 120/240 or 120/208 Volt, 60 Hz AC only electrical supply is required on a separate circuit fused on both sides of the line (time-delay fuse or circuit breaker is recommended). DO NOT fuse neutral.
2. A circuit breaker or fuse rated at 40 Amp is required for 36" models and 30 Amp for the 30" model.

NOTE: Wire sizes and connections must conform with the fuse size and rating of the appliance in accordance with the National Electrical Code ANSI/NFPA No. 70—latest edition and local codes and ordinances.

⚠ WARNING An extension cord must not be used with this appliance. Such use may result in a fire, electrical shock, or other personal injury.

3. The appliance should be connected to the fused disconnect (or circuit breaker) box through flexible armored or nonmetallic sheathed cable. The flexible armored cable extending from this appliance should be connected directly to the grounded junction box. The junction box should be located as shown in Figure 2 with as much slack as possible remaining in the cable between the box and the appliance, so it can be moved if servicing is ever necessary.
4. A suitable strain relief must be provided to attach the flexible armored cable to the junction box.

Unpacking Instructions

1. Unpack and visually inspect the cooktop.
2. Be sure the bottle of cleaner conditioner packed in the literature bag is left where the user can find it easily. It is important that the ceramic-glass cooktop be pretreated before use. See **Cooktop Cleaning and Maintenance** section in the **Use and Care Guide**.

Electrical Connection

Connect the flexible armored cable that extends from the surface unit to the junction box using a suitable strain relief at the point the armored cable enters the junction box. Then make the electrical connection as follows.

Electrical ground is required on this appliance.

⚠ WARNING This appliance is equipped with a copper conductor flexible cable. If connection is made to aluminum house wiring, use only special connectors which are approved for joining copper and aluminum wires in accordance with the National Electrical Code and local codes and ordinances. Improper connection of aluminum house wiring to copper leads can result in a short circuit or fire. Follow the connector manufacturer recommended procedure closely.

This appliance is manufactured with a supply wire and a frame connected green or bare copper grounding wire.

⚠ WARNING DO NOT ground to a gas supply pipe. DO NOT connect to electrical power supply until appliance is permanently grounded. Connect the ground wire before turning on the power.

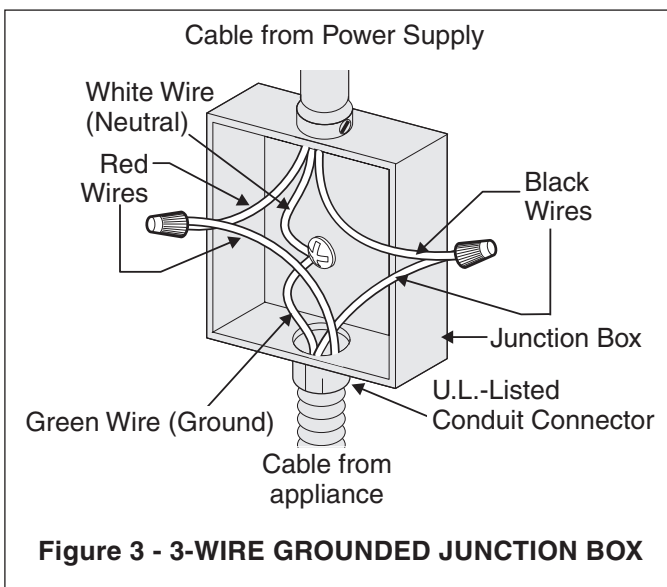
INDUCTION COOKTOP INSTALLATION INSTRUCTIONS

If the cable from appliance is equipped with 3 wires:

Where local codes permit connecting the appliance-grounding conductor to the neutral (white) wire (see figure 3):

1. Disconnect the power supply.
2. In the circuit breaker, fuse box or junction box, connect appliance and power supply cable wires as shown in figure 3.

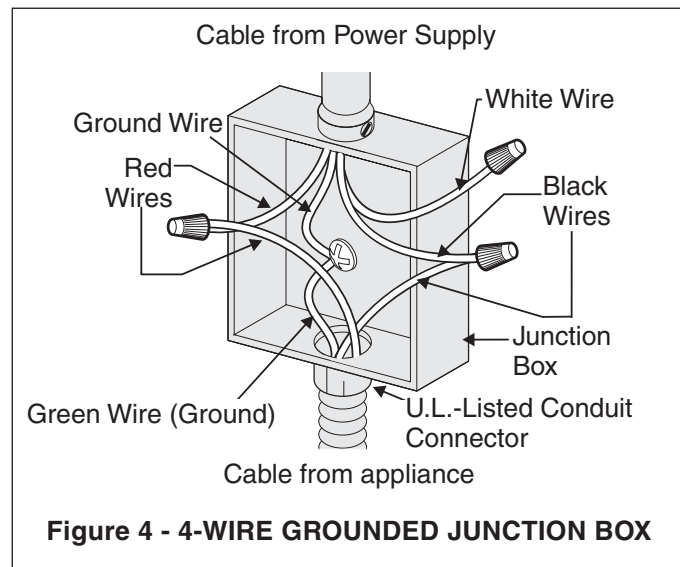
⚠ WARNING You may not ground the cooktop through the neutral (white) wire if cooktop is used in a new branch circuit installation (1996 NEC), mobile home, recreational vehicle, or where local codes do not permit grounding to the neutral (white) wire.



When grounding to the neutral (white) wire is prohibited, you must use a 4-wire power supply cable. See Figure 4. Failure to heed this warning may result in electrocution or other serious personal injury.

If cooktop is used in a new branch circuit installation (1996 NEC), mobile home, recreational vehicle, or where local codes DO NOT permit grounding to the neutral (white) wire (see figure 4):

1. Disconnect the power supply.
2. In the circuit breaker, fuse box or junction box, connect appliance and power supply cable wires as shown in figure 4.



⚠ WARNING If connecting to a 4-wire power supply cable electrical system, the appliance frame connected ground wire **MUST NOT** be connected to the neutral wire of the 4-wire electrical system.

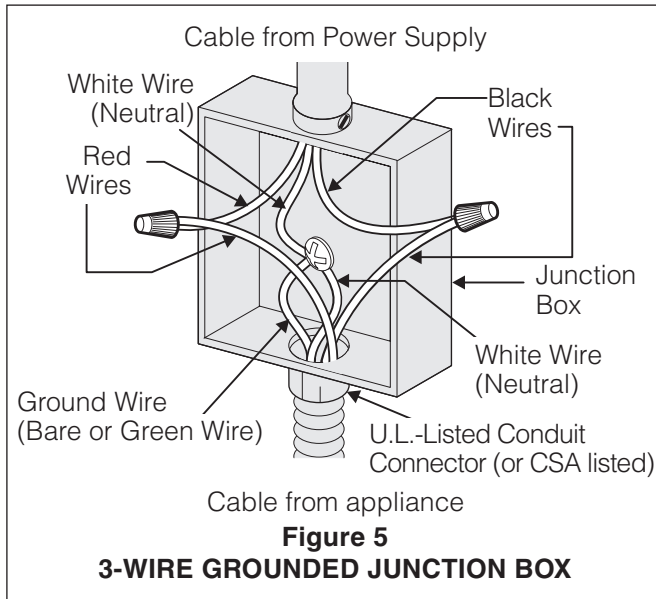
NOTE TO ELECTRICIAN: The armored cable leads supplied with the appliance are UL-listed for connection to larger gauge household wiring. The insulation of the leads is rated at temperatures much higher than temperature rating of household wiring. The current carrying capacity of the conductor wire is governed by the temperature rating of the insulation around the wire, rather than the wire gauge alone.

INDUCTION COOKTOP INSTALLATION INSTRUCTIONS

If the cable from appliance is equipped with 4 wires:

Where local codes permit connecting the appliance-grounding conductor (wire) to the neutral (white) wire (see figure 5):

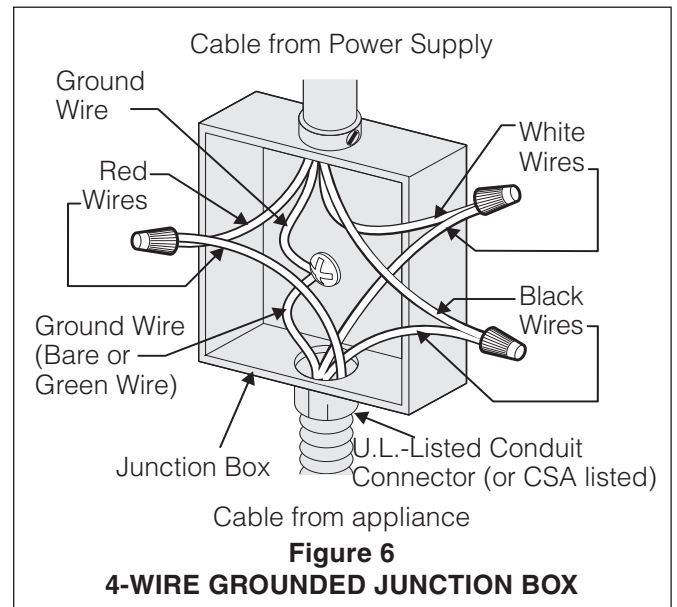
1. Disconnect the power supply.
2. In the circuit breaker, fuse box or junction box, connect appliance and power supply cable wires as shown in figure 5.



⚠ WARNING This appliance is manufactured with a white neutral power supply and a frame connected copper wire. The frame is grounded by connection of grounding lead to neutral lead at the termination of the conduit, if used in USA, in a new branch circuit installation (1996 NEC), mobile home, recreational vehicles, where local code do not permit grounding through the neutral (white) wire or in Canada, disconnect the white and green lead from each other and use ground lead to ground unit in accordance with local codes, connect neutral lead to branch circuit-neutral conductor in usual manner see Figure 6. If your appliance is to be connected to a 3 wire grounded junction box (US only), where local code permit connecting the appliance-grounding conductor to the neutral (white) see Figure 5.

If cooktop is used in a new branch circuit installation (1996 NEC), mobile home, recreational vehicle, or where local codes DO NOT permit grounding through the neutral (white) wire (see figure 6):

1. Disconnect the power supply.
2. Separate the green (or bare copper) and white appliance cable wires.
3. In the circuit breaker, fuse box or junction box: connect appliance and power supply cable wires as shown in figure 6.



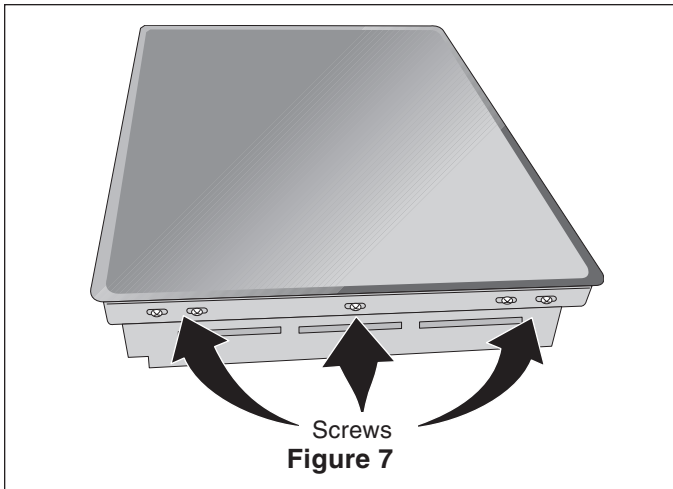
⚠ WARNING If connecting to a 4-wire power supply cable electrical system, the appliance frame connected ground wire **MUST NOT** be connected to the neutral wire of the 4-wire electrical system.

NOTE TO ELECTRICIAN: The armored cable leads supplied with the appliance are UL and CSA-recognized for connection to larger gauge household wiring. The insulation of the leads is rated at temperatures much higher than temperature rating of household wiring. The current carrying capacity of the conductor is governed by the temperature rating of the insulation around the wire, rather than the wire gauge alone.

INDUCTION COOKTOP INSTALLATION INSTRUCTIONS

Cooktop Installation

1. Visually inspect the cooktop for damage. Also make sure all cooktop screws are tight (see Figure 7).



2. Install the retainer brackets. See Figure 8.

The retainer brackets **MUST** be installed, to meet local codes or, in their absence, with the National Electrical Code ANSI/NFPA No. 70—latest edition (see Figure 8).

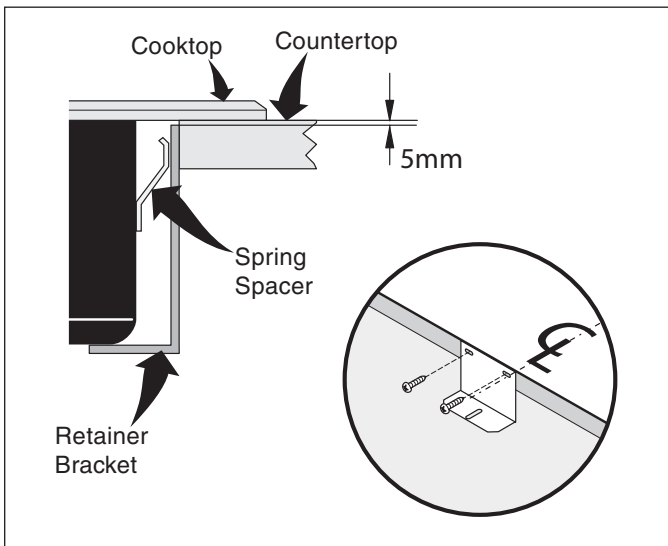


Figure 8

3. Set the cooktop into the countertop cutout.

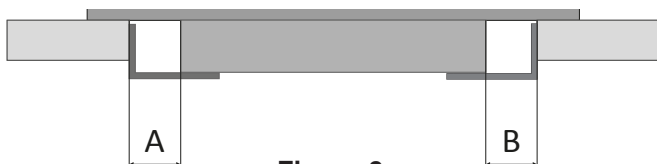


Figure 9

During the installation with a wide cutout make sure the cooktop is centered. A and B gap should have the same dimensions. The elongated holes on the bottom of the installation brackets are made to fit every cutout.

⚠WARNING Do not remove the spring spacers on the edges of the cooktop. These spacers center the cooktop in the space provided. The cooktop must be centered to prevent excess heat buildup that may result in heat damage or fire (see Figure 10).

4. Fix the cooktop to the bracket using the screws supplied (see Figure 10).

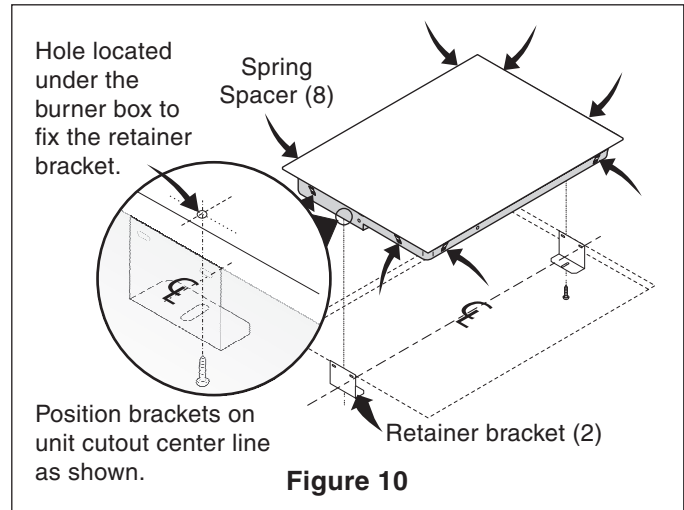


Figure 10

Granite countertop Installation Kit

A Granite Countertop Installation kit # 903061-9010 can be ordered through a Service Center or by phone at **1-877-ELECTROLUX (1-877-435-3287)**.

Checking Operation

Refer to the **Use and Care Guide** for operation.

⚠CAUTION Do not touch cooktop glass or elements. They may be hot enough to burn you.

Before You Call for Service

Read the Before You Call for Service Checklist and operating instructions in your **Use and Care Guide**. It may save you time and expense. The list includes common occurrences that are not the result of defective workmanship or materials in this appliance.

Refer to your **Use and Care Guide** for service phone numbers.

INDUCTION COOKTOP INSTALLATION INSTRUCTIONS

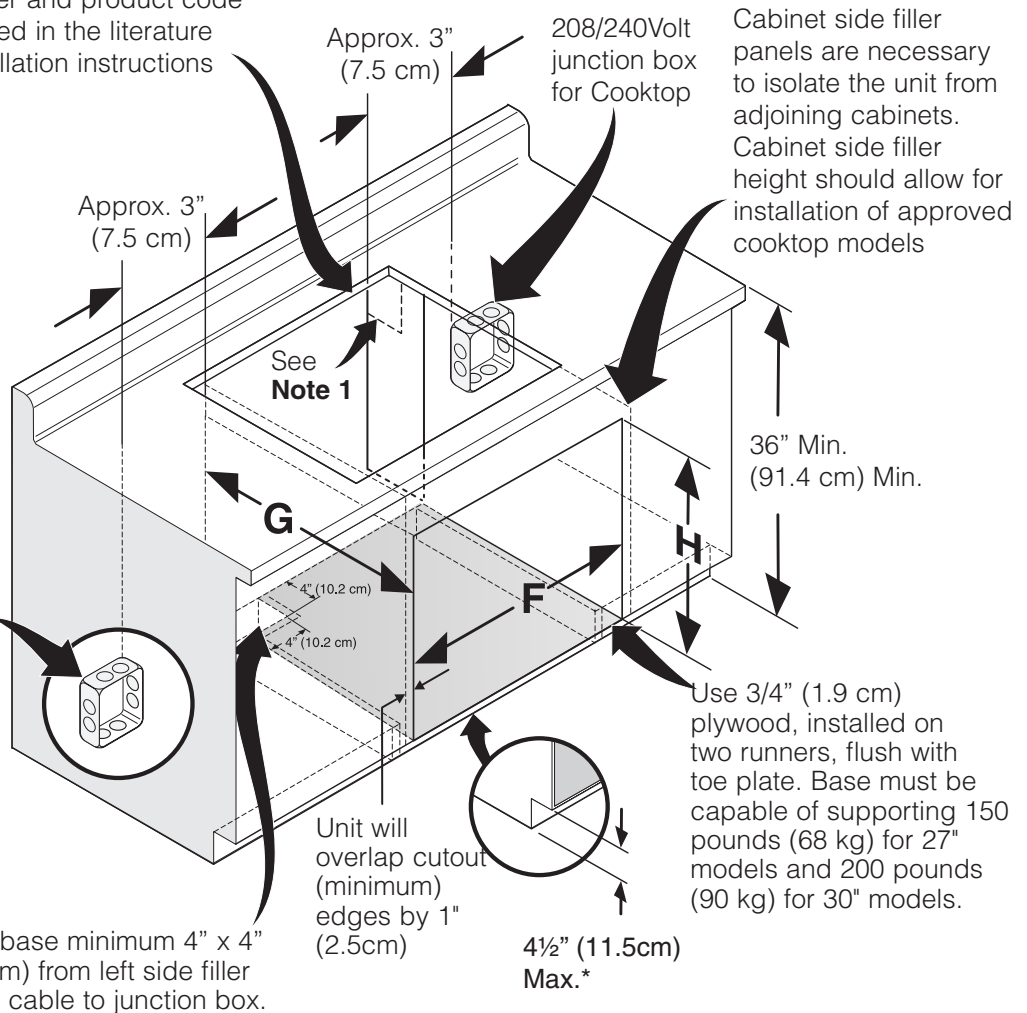
For typical under counter installation of an electric built-in oven see Figure below.

Only certain cooktop models may be installed over certain built-in electric oven models. Approved cooktops and built-in ovens are listed by the MFG ID number and product code (see the insert sheet included in the literature package and cooktop installation instructions for dimensions).

Note 1: 4" x 4" (10.2 X 10.2 cm) opening to route armoured cable from cooktop to junction box.

WARNING

To reduce the risk of personal injury and tipping of the wall oven, the wall oven must be secured to the cabinet (s) by mounting brackets.



Cut an opening in wood base minimum 4" x 4" (10.2 X 10.2 cm), 2" (5 cm) from left side filler panel, to route armoured cable to junction box.

Figure 11

* If no cooktop is installed directly over the oven unit, 5" (12.7 cm) maximum is allowed above the floor.

CUTOUT DIMENSIONS			
	F. WIDTH	G. DEPTH	H. HEIGHT
27" (68.6 cm) Wall Oven	24 ⁷ / ₈ " (63.2 cm) Min. 25 ¹ / ₄ " (64.1 cm) Max.	23 ¹ / ₂ " (59.7 cm) Min.	27 ¹ / ₄ " (69.2 cm) Min. 28 ¹ / ₄ " (71.8 cm) Max.
30" (76.2 cm) Wall Oven	28 ¹ / ₂ " (72.4 cm) Min. 29" (73.7 cm) Max.	23 ¹ / ₂ " (59.7 cm) Min.	27 ¹ / ₄ " (69.2 cm) Min. 28 ¹ / ₄ " (71.8 cm) Max.

Figure 10- TYPICAL UNDER COUNTER INSTALLATION OF A SINGLE ELECTRIC BUILT-IN OVEN WITH AN ELECTRIC COOKTOP MOUNTED ABOVE

NOTES

INSTRUCCIONES DE INSTALACIÓN PARA LA CUBIERTA DE INDUCCIÓN

LA INSTALACIÓN Y EL SERVICIO DEBEN SER EFECTUADOS POR UN INSTALADOR CALIFICADO. IMPORTANTE: GUARDE ESTAS INSTRUCCIONES PARA USO DEL INSPECTOR LOCAL DE ELECTRICIDAD. LEA Y GUARDE ESTAS INSTRUCCIONES PARA REFERENCIA FUTURA.



ADVERTENCIA PARA SU SEGURIDAD: No almacene ni utilice gasolina u otros vapores y líquidos inflamables en la proximidad de este o de cualquier otro artefacto.

INFORMACIÓN IMPORTANTE PARA LA INSTALACIÓN

- Todas las estufas eléctricas funcionan con una alimentación eléctrica con puesta a tierra de fase singular, 3 o 4 alambres, 240/208 voltios, 60 hertz y sólo AC.
- La distancia mínima entre la superficie de la estufa y los gabinetes adyacentes y por encima son de 30" (76.2 cm).

* 30" (76.2 cm) mín. para un gabinete desprotegido.
24" (61 cm) mín. para una superficie protegida.

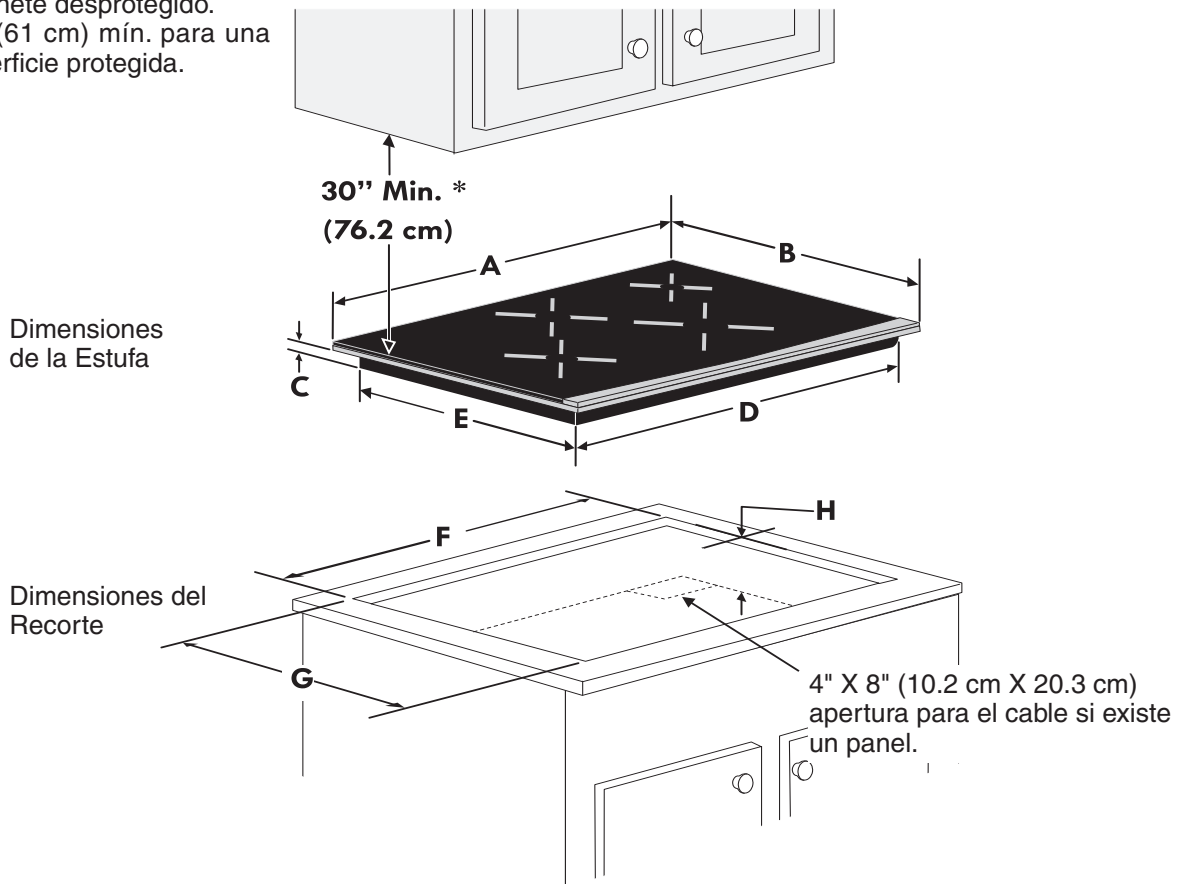


Figura 1

DIMENSIONES DE LA ESTUFA					DIMENSIONES DE RECORTADO				
A. ANCHURA	B. PROFUNDIDAD	C. ALTURA	D. ANCHO DE LA CAJA	E. PROFUNDIDAD	F. ANCHURA		G. PROFUNDIDAD		H. ALTURA
					Min.	Max.	Min.	Max.	
30 ⁵ / ₈ (77.8)	21 ³ / ₈ (54.4)	2 ⁷ / ₈ (7.3)	28 ¹ / ₄ (71.8)	19 ³ / ₈ (49.2)	28 ¹ / ₂ (72.4)	29 ⁷ / ₈ (75.9)	19 ⁵ / ₈ (49.9)	20 ¹ / ₂ (52.1)	3 ⁵ / ₈ (9.2)
36 ³ / ₄ (93.4)	21 ³ / ₈ (54.4)	2 ⁷ / ₈ (7.3)	33 ⁵ / ₈ (85.4)	18 ⁷ / ₈ (47.9)	33 ⁷ / ₈ (86.0)	36 ¹ / ₈ (91.8)	19 ¹ / ₈ (48.6)	20 ¹ / ₂ (52.1)	3 ⁵ / ₈ (9.2)

Todas las dimensiones se dan en pulgadas (cm).

* Deje 2" (5 cm) de hueco debajo de la estufa para espacio para el cable eléctrico y la instalación de la caja de empalmes en la pared detrás de la estufa.

P/N A01705205 (0921) Rev. A

English – pages 1-8

Español – pages 9-16

Français - 17-24

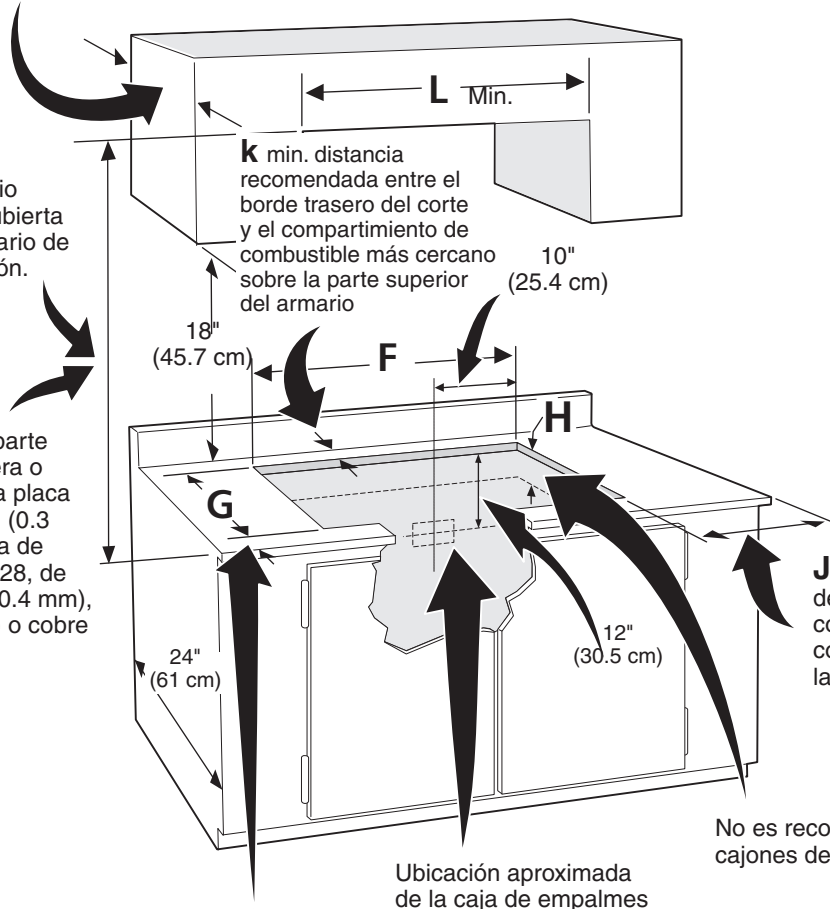
INSTRUCCIONES DE INSTALACIÓN PARA LA CUBIERTA DE INDUCCIÓN

El armario superior no debe sobrepasar una profundidad máxima de 13" (33 cm)

30" (76.2 cm) min. de espacio entre la parte superior de cubierta y la parte inferior de un armario de madera o metal sin protección.

24" (61 cm) min. cuando la parte inferior del armario de madera o metal está protegida por una placa cortafuego de al menos 1/8" (0.3 cm), cubierta con una lámina de acero msg no inferior al No. 28, de acero inoxidable de 0.015" (0.4 mm), aluminio de 0.024" (0.6 mm) o cobre de 0.020" (0.5 mm).

2 1/2" (6.4 cm) mín. desde el borde delantero del corte hasta el borde delantero de la parte superior del armario



J min. desde el borde del corte hasta el compartimento de combustible (ambos lados del artefacto)

No es recomendable utilizar cajones debajo de la estufa.

Ubicación aproximada de la caja de empalmes

Para las letras en este diagrama, refiérase a la página 9, excepto para J y K.

Figura 2 – EL CORTE DE LA PARTE SUPERIOR DEL ARMARIO

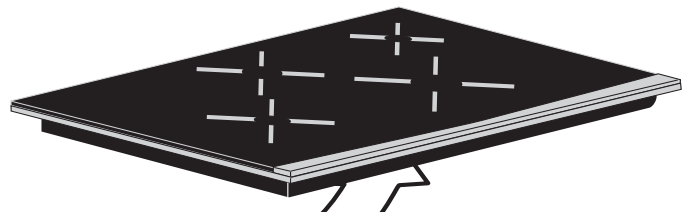
PRECAUCIÓN Para evitar riesgos de quemaduras o incendios al tocar superficies calientes, se deben evitar los armarios sobre la superficie de los quemadores. Si existe un armario, se pueden reducir los riesgos instalando una campana que se extienda horizontalmente en un mínimo de 5" (12.7 cm) por sobre la parte inferior de los armarios.

MODEL	J	K	L
30"	2" (5.1 cm)	1 1/2" (3.8 cm)	30 5/8" (77.8 cm)
36"	2" (5.1 cm)	2" (5.1 cm)	36 3/4" (93.4 cm)

Ubicación del número de modelo y de serie

La placa con el número de modelo y de serie está ubicada en el fondo de la estufa.

Cuando haga pedidos de repuestos o solicite información con respecto a su estufa, esté siempre seguro de incluir el número de modelo y de serie y el número o letra del lote de la placa de serie de su horno.



La placa de serie está ubicada aquí.

INSTRUCCIONES DE INSTALACIÓN PARA LA CUBIERTA DE INDUCCIÓN

Notas importantes para el instalador

1. Lea todas las instrucciones contenidas en este manual antes de instalar la estufa.
2. Retire todo el material usado en el empaque de la estufa antes de conectar el suministro eléctrico a la estufa.
3. Observe todos los códigos y reglamentos pertinentes.
4. Deje estas instrucciones con el consumidor.
5. Solamente algunos modelos de cubierta de cocina pueden ser instalados sobre ciertos modelos de horno de empotrar. Las cubiertas y hornos aprobados están listados por el número MFG ID y código de producto. (Refiérase a la hoja de información para ver los números de modelos).

Nota importante al consumidor

Conserve estas instrucciones y el Manual del usuario para referencia futura.

INSTRUCCIONES IMPORTANTES DE SEGURIDAD

- **Asegúrese de que su estufa sea instalada y puesta a tierra de forma apropiada por un instalador calificado o por un técnico de servicio.**
- **Esta estufa debe ser eléctricamente puesta a tierra de acuerdo con los códigos locales o, en su ausencia, con el Código Eléctrico Nacional ANSI/NFPA No. 70 – última edición en los Estados Unidos.**

⚠ ADVERTENCIA La alimentación eléctrica a la estufa deberá apagarse mientras se hacen las conexiones de línea. El no hacerlo podría resultar en daños serios o la muerte.

Provea conexión eléctrica

Instale la caja de empalmes debajo del armario y provea un cable de 120/240 o 120/208 Voltios, AC al panel de circuitos del aparato. NOTA: NO conecte la cable al panel de circuitos en este momento.

Requisitos eléctricos

Cumpla con todos los códigos en vigor y todos los reglamentos locales.

1. Para el suministro eléctrico solamente se necesita corriente con frecuencia de 60 Hz AC y fase única de 120/240 o 120/208 voltios suministrada por cable de 3 o de 4 alambres en un circuito separado con fusibles en ambos lados de la línea (se recomienda un fusible de tiempo retardado o un cortacircuitos). NO ponga un fusible en el hilo neutro. El tamaño del fusible no tiene que exceder la capacidad del circuito necesario para el electrodoméstico y la cual se especifica en la placa.
2. Un interruptor o un fusible clasificado en 40 amperios se recomienda para el modelo de 36" y un interruptor o un fusible clasificado en 30 amperios se recomienda para el modelo de 30".

NOTA: El tamaño de los cables y de las conexiones debe de estar en conformidad con el tamaño del fusible y con la capacidad del electrodoméstico y de acuerdo con el Código Eléctrico Nacional ANSI/NFPA No. 70 - última edición y los códigos y reglamentos locales.

⚠ ADVERTENCIA No se debe usar una extensión para enchufar este electrodoméstico. Esto podría resultar en un incendio, un choque eléctrico u otro tipo de daño personal.

3. Este electrodoméstico debe conectarse a la caja de fusibles (o de cortacircuitos), por medio de un cable blindado flexible o un cable con forro no metálico. El cable blindado flexible que va desde el electrodoméstico debe de estar conectado directamente a la caja de empalme. La caja de empalme debe de estar localizada en el lugar que se indica en la Figura 2, dejando tanto exceso de cable como sea posible entre la caja y el electrodoméstico, de forma que así el electrodoméstico se pueda mover fácilmente, si fuera necesario para hacer una reparación.
4. Se debe de usar un conector que reduzca la tirantez de una forma adecuada para unir el cable blindado flexible a la caja de empalme.

Instrucciones de desempaque

1. Desempaque e inspeccione el electrodoméstico.
2. Asegúrese que la botella de limpiador ubicada en la empaquete de literatura esta situada en un lugar donde puede encontrarse fácilmente. Es importante de tratar de antemano la superficie en vidrio de cerámico antes de utilizar. Vea la parte sobre **Limpieza y Mantenimiento de la Cubierta** en este **Manual del usuario**.

Conexión Eléctrica

Conecte el cable blindado flexible que se extiende desde la superficie del artefacto hasta la caja de empalmes el retenedor utilizando de tensión adecuada en el punto en que el cable blindado entra en la caja de empalmes. Realizar luego la conexión eléctrica de la siguiente manera.

En este electrodoméstico se necesita un cable de puesta a tierra.

⚠ ADVERTENCIA Este electrodoméstico viene equipado con un cable de conexión de cobre. Si esto tuviera que conectarse a los cables de aluminio de una casa, use solamente los conectores especiales aprobados para empalmes de cobre y aluminio, de acuerdo con el Código Eléctrico Nacional y los reglamentos y códigos locales. Una conexión incorrecta del alambreado de aluminio con los conductores de cobre puede resultar en un cortacircuito o incendio.

Este electrodoméstico se fabrica con un alambre de puesta a tierra verde (o de cobre sin forro) conectado con el marco.

⚠ ADVERTENCIA NO conecte el alambre puesto a tierra a una tubería de suministro de gas. NO conecte el suministro de energía eléctrica hasta que el electrodoméstico haya sido permanentemente puesto a tierra. Conecte el alambre de puesta a tierra antes de enchufar por primera vez el electrodoméstico.

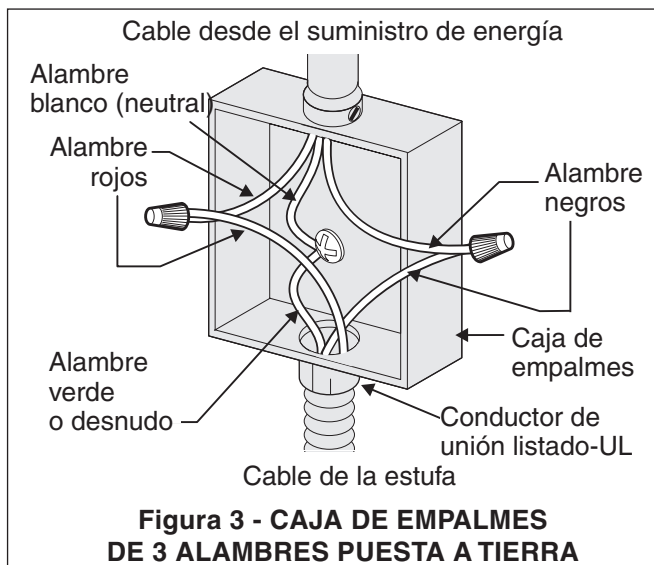
INSTRUCCIONES DE INSTALACIÓN PARA LA CUBIERTA DE INDUCCIÓN

Si el cable de la unidad es equipada con 3 alambres:

Donde los códigos locales permitan conectar el conductor de puesta a tierra del electrodoméstico al neutral (blanco) (ver figura 3):

1. Desconecte el suministro eléctrico.
2. En el interruptor automático, caja de fusibles o caja de juntas: conectar el aparato y los cables residenciales como se muestra en la figura 3.

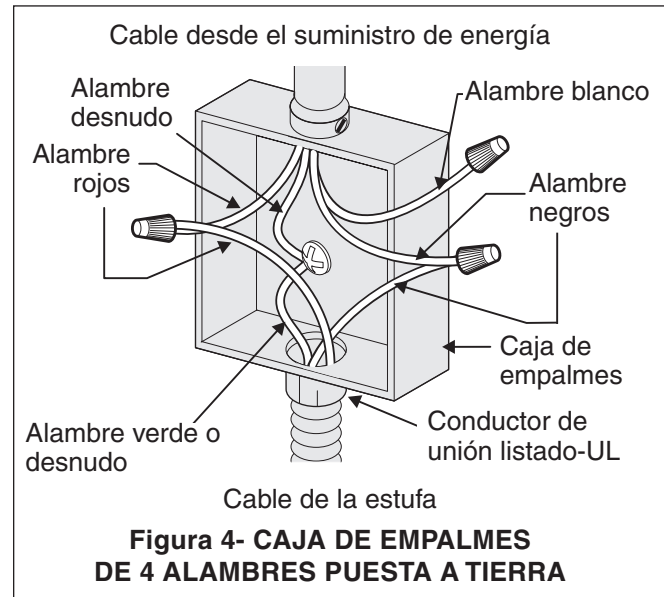
⚠ ADVERTENCIA No podrá conectar a tierra la cocina a través del cable neutral (blanco) si la cocina se usa en una nueva instalación de ramal de circuito (1996 NEC), en una casa rodante, en un vehículo para recreación o si los códigos locales no permiten hacer la conexión a tierra a través del cable neutral (blanco).



Cuando está prohibida la conexión a tierra a través del cable neutral (blanco), debe usar un cable de alimentación de 4 hilos. Ver las Figuras 6 y 7. Si no observa esta precaución, la persona puede electrocutarse o lesionarse gravemente.

Si la cocina se usa en una instalación nueva de ramal de circuito (1996 NEC), en una casa rodante, en un vehículo para recreación o si los códigos locales NO permiten hacer la conexión a tierra a través del cable neutral (blanco) (ver figura 4):

1. Desconecte el suministro eléctrico.
2. En el interruptor automático, caja de fusibles o caja de juntas: conectar el aparato y los cables residenciales como se muestra en la figura 4.



⚠ PRECAUCION Si está conectado a un sistema eléctrico de 4 alambres, el armazón del electrodoméstico NO TIENE QUE estar conectado al alambre neutro del sistema eléctrico de 4 alambres.

NOTA AL ELECTRICISTA: Los conductores de cable blindados provistos con este artefacto son aprobados por UL para la conexión al alambrado de casa de un calibre mayor. El aislante de los conductores está calificado para temperaturas más altas que las del alambrado de una casa. La capacidad de corriente del conductor está gobernada por la calificación de la temperatura del aislamiento alrededor del alambre en vez de solamente el calibre del alambre.

INSTRUCCIONES DE INSTALACIÓN PARA LA CUBIERTA DE INDUCCIÓN

Si el cable de la unidad es equipada con 4 alambres:

Donde los códigos locales permitan conectar el conductor de puesta a tierra del electrodoméstico al neutral (blanco) (ver figura 5):

1. Desconecte el suministro eléctrico.
2. En el interruptor automático, caja de fusibles o caja de juntas: conectar el aparato y los cables residenciales como se muestra en la figura 5.

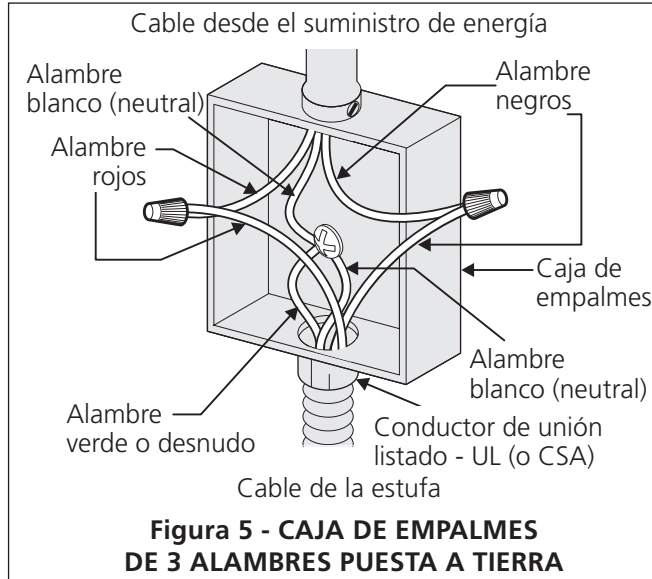


Figura 5 - CAJA DE EMPALMES DE 3 ALAMBRES PUESTA A TIERRA

⚠ ADVERTENCIA Este electrodoméstico está fabricado con un suministro eléctrico neutro blanco y un alambre de cobre conectado al armazón. El armazón esta puesto a tierra por un enlace de la conexión a tierra con la conexión del neutro al final de la línea eléctrica, si es usado en los estados unidos una nueva instalación de circuito de bifurcación (1996 NEC), casa rodante, vehículos recreacionales, o donde los códigos locales no permitan poner a tierra mediante el neutro (blanco) o en Canadá, desconectar la conexión blanca de la verde y utilizar la conexión a tierra para poner a tierra la unidad de acuerdo a los códigos locales, conectar el neutro al circuito de bifurcación- conductor neutro de manera usual. Ver Figura 6. Si su electrodoméstico va a ser conectado a una caja de conexión puesta a tierra de 3 cables (en los estados unidos solamente), donde los códigos locales permitan conectar el conductor de poner a tierra-electrodoméstico con el neutro (blanco) ver Figura 5.

Si la cocina se usa en una instalación nueva de ramal de circuito (1996 NEC), en una casa rodante, en un vehículo para recreación o si los códigos locales NO permiten hacer la conexión a tierra a través del cable neutral (blanco) (ver figura 6):

1. Desconecte el suministro eléctrico.
2. Separe el alambre verde (o cobre desnudo) y el alambre blanco del electrodoméstico.
3. En el interruptor automático, caja de fusibles o caja de juntas: conectar el aparato y los cables residenciales como se muestra en la figura 6.

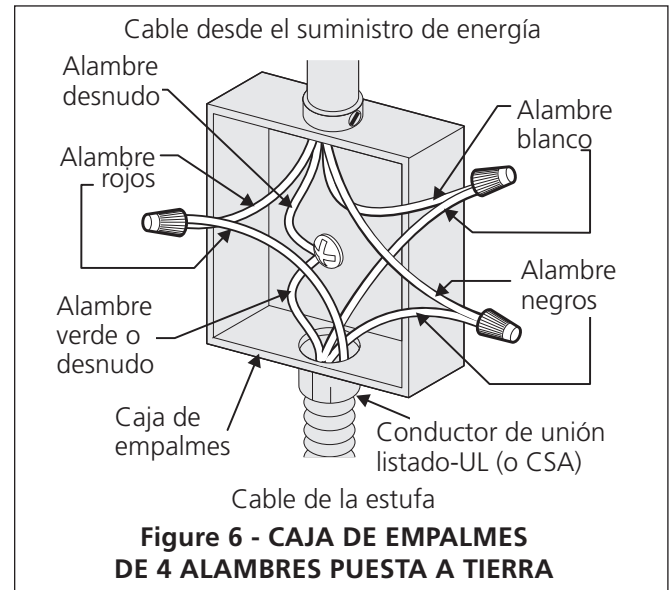


Figure 6 - CAJA DE EMPALMES DE 4 ALAMBRES PUESTA A TIERRA

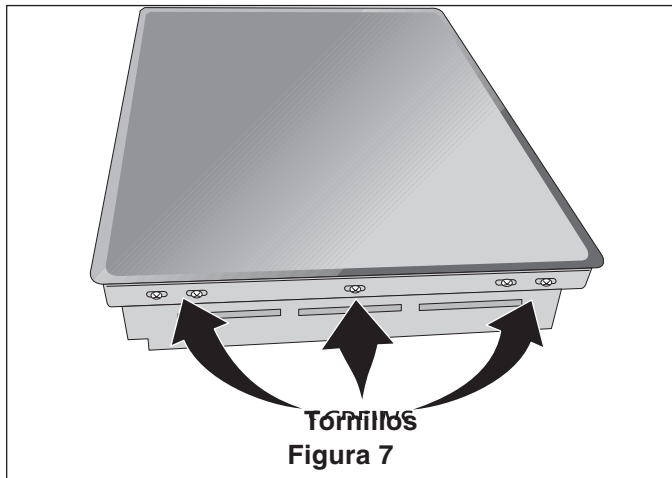
⚠ PRECAUCION Si está conectado a un sistema eléctrico de 4 alambres, el armazón del electrodoméstico **NO TIENE QUE** estar conectado al alambre neutro del sistema eléctrico de 4 alambres.

NOTA AL ELECTRICISTA: Los conductores de cable blindados provistos con este artefacto son aprobados por UL y CSA para la conexión al alambrado de casa de un calibre mayor. El aislamiento de los conductores está calificado para temperaturas más altas que las del alambrado de la casa. La capacidad de corriente del conductor está gobernada por la calificación de la temperatura del aislamiento alrededor del alambre en vez de solamente el calibre del alambre.

INSTRUCCIONES DE INSTALACIÓN PARA LA CUBIERTA DE INDUCCIÓN

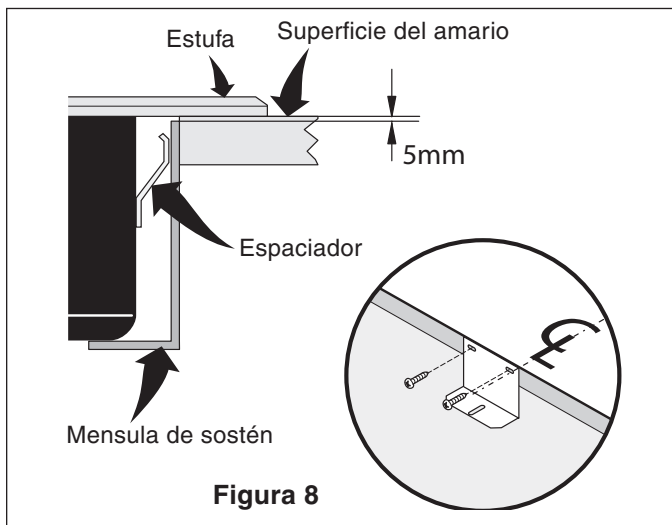
Instalación de la estufa

1. Visualmente inspeccione la estufa para daños. Verifique además que todos los tornillos de la estufa estén bien ajustados (Figura 7).

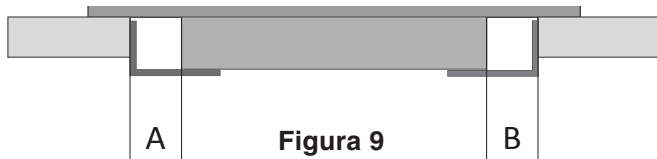


2. Instale las ménsulas de sostén. Ver Figura 8.

Las ménsulas de sostén TIENEN QUE instalarse, a satisfacción de los códigos locales o, en su ausencia, con el Código Eléctrico Nacional ANSI/NFPA No. 70--última edición (Figura 8).



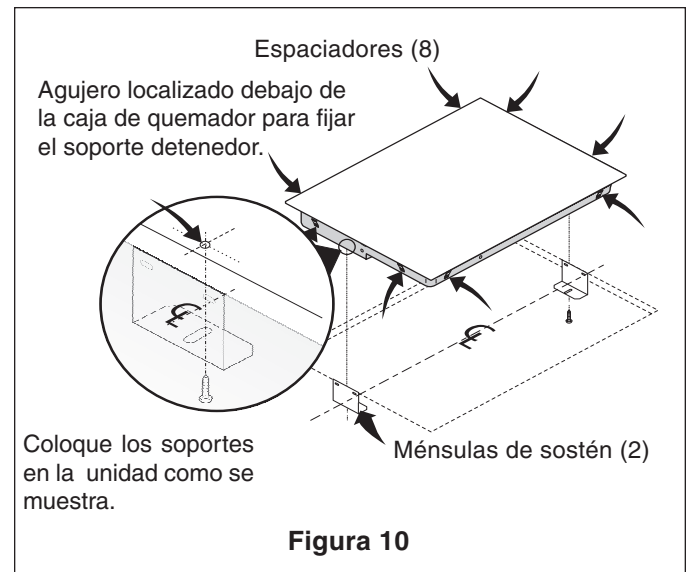
3. Fije la estufa en el recorte del armario.



Durante el posicionamiento en la apertura, cerciorarse que el componente sea centrado. Los orificios A y B deberán mantener las mismas dimensiones. Los orificios alargados que se encuentran en la parte inferior de los soportes están diseñados para fijarse a todas las aberturas de instalación.

⚠ ADVERTENCIA No quite los espaciadores en los bordes de la estufa. Estos espaciadores mantienen la estufa en el centro del espacio provisto. La estufa debe estar centrado para evitar una acumulación excesiva de calor que puede resultar en daños por calor o incendio (Figura 10).

4. Fije la cubierta o el soporte usando los tornillos provistos (véase el cuadro 10).



Revisión de operación

Consulte el **Manual del Usuario** para las instrucciones de funcionamiento.

No toque el cristal o los elementos de la estufa. Puede que estén lo suficiente calientes para quemar.

Antes de llamar al servicio

Lea la sección Lista de Control de Averías en su **Manual del Usuario**. Esto le podrá ahorrar tiempo y gastos. Esta lista incluye ocurrencias comunes que no son el resultado de defectos de materiales o fabricación de este electrodoméstico.

Lea la garantía y la información sobre el servicio en su **Manual del Usuario** para obtener el número de teléfono y la dirección del servicio.

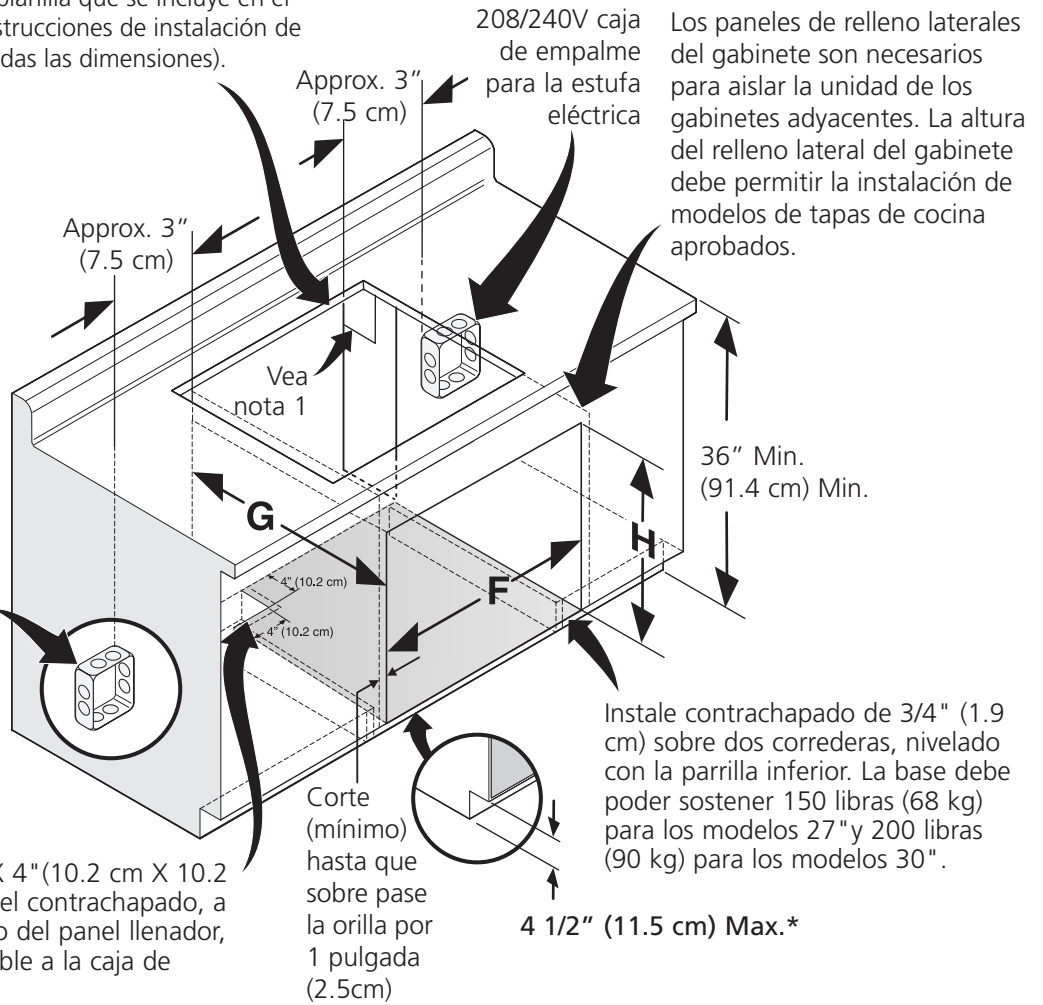
INSTRUCCIONES DE INSTALACIÓN PARA LA CUBIERTA DE INDUCCIÓN

Instalación típica para una estufa eléctrica encima de un horno de pared instalado debajo del mostrador

Sólo ciertos modelos de tapas de cocina se pueden instalar sobre ciertos modelos de hornos eléctricos empotrados. Las tapas de cocina y los hornos empotrados se mencionan por su número de identificación MFG ID y código de producto (ver la planilla que se incluye en el paquete de literatura y las instrucciones de instalación de la cocina donde están detalladas las dimensiones).

Nota 1: Apertura de 4" x 4" (10.2 x 10.2 cm) para guiar el cable blindado de la cubierta a la caja de conexiones.

ADVERTENCIA
Para reducir el riesgo de lesiones personales y inclinación del horno de pared, éste debe asegurarse a los gabinetes mediante soportes de montaje.



Corte una apertura de 4" X 4" (10.2 cm X 10.2 cm) (mínimo) en el fondo del contrachapado, a 2" (5 cm) del lado izquierdo del panel llenador, para poder encaminar el cable a la caja de empalme.

* Si no se instala ninguna tapa de cocina directamente sobre la unidad del horno, se permite un espacio máximo de 5" (12,7 cm) sobre el piso.

DIMENSIONES DE ABERTURA			
	F. ANCHURA	G. PROFUNDIDAD	H. ALTURA
27" (68.6 cm) Horno de pared	24 7/8" (63.2 cm) Min. 25 1/4" (64.1 cm) Max.	23 1/2" (59.7 cm)	27 1/4" (69.2 cm) Min. 28 1/4" (71.8 cm) Max.
30" (76.2 cm) Horno de pared	28 1/2" (72.4 cm) Min. 29" (73.7 cm) Max.	23 1/2" (59.7 cm)	27 1/4" (69.2 cm) Min. 28 1/4" (71.8 cm) Max.

INSTALACIÓN TÍPICA DEBAJO DE LA MESADA DE HORNO SIMPLE EMPOTRADO CON TAPA DE COCINA MONTADA

INSTRUCTIONS D'INSTALLATION POUR TABLE DE CUISSON À INDUCTION

UN INSTALLATEUR QUALIFIÉ DOIT EFFECTUER L'INSTALLATION ET LE SERVICE. IMPORTANT: CONSERVEZ CES INSTRUCTIONS POUR LES INSPECTEURS LOCAUX. LISEZ CES INSTRUCTIONS ET CONSERVEZ-LES POUR RÉFÉRENCES ULTÉRIEURES.

⚠ AVERTISSEMENT POUR VOTRE SÉCURITÉ: N'entrez pas et n'utilisez pas d'essence ou d'autres produits inflammables à proximité de cet appareil ou de tout autre appareil.

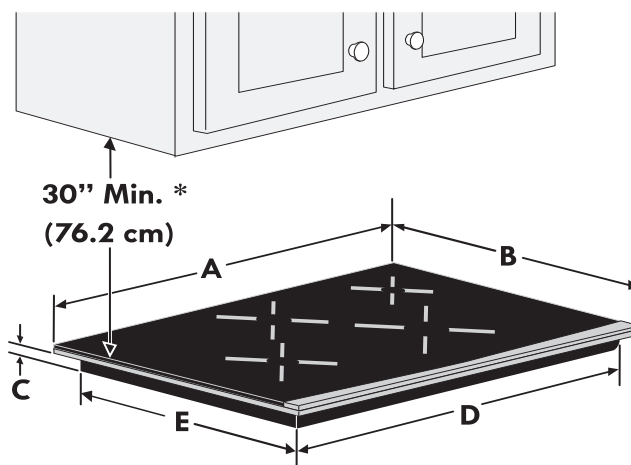


INSTRUCTIONS D'INSTALLATION IMPORTANTES

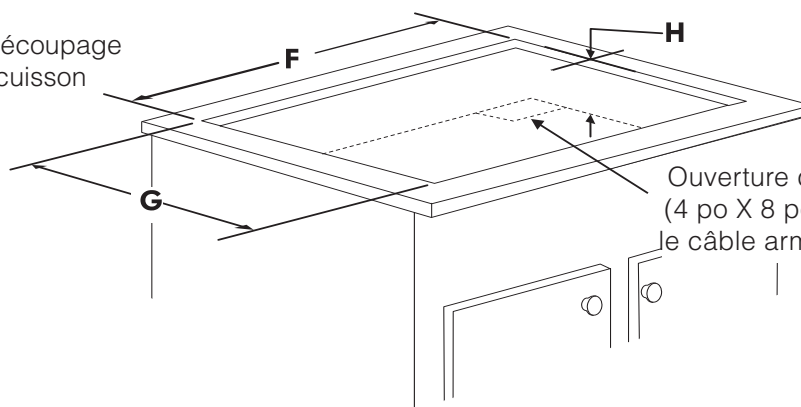
- Toutes les tables de cuisson électriques fonctionnent avec un câble à 3 ou 4 fils monophasé de 240/208 volts, 60 hertz CA mis à la terre seulement.
- Veuillez prendre note que la distance minimale entre la plaque de cuisson et les armoires adjacentes et en surplomb est de 30" (76.2 cm).

* Minimum de 76.2 cm (30 po) pour armoire non protégée.
Minimum de 61 cm (24 po) pour surface protégée.

Dimensions de la table de cuisson



Dimensions de découpage pour la table de cuisson



Ouverture de 10.2 cm x 20.3 cm (4 po X 8 po) pour laisser passer le câble armé s'il y a un panneau.

Figure 1

DIMENSIONS DE LA TABLE DE CUISSON					DIMENSIONS DE DÉCOUPAGE				
A. LARGEUR	B. PROFONDEUR	C. HAUTEUR	D. LARGEUR	E. PROFONDEUR	F. LARGEUR		G. PROFONDEUR		H. HAUTEUR
					Min.	Max.	Min.	Max.	
77.8 (30 ⁵ / ₈)	54.4 (21 ³ / ₈)	7.3 (2 ⁷ / ₈)	71.8 (28 ¹ / ₄)	49.2 (19 ³ / ₈)	72.4 (28 ¹ / ₂)	75.9 (29 ⁷ / ₈)	49.9 (19 ⁵ / ₈)	52.1 (20 ¹ / ₂)	9.2 (3 ⁵ / ₈)
93.4 (36 ³ / ₄)	54.4 (21 ³ / ₈)	7.3 (2 ⁷ / ₈)	85.4 (33 ⁵ / ₈)	47.9 (18 ⁷ / ₈)	86.0 (33 ⁷ / ₈)	91.8 (36 ¹ / ₈)	48.6 (19 ¹ / ₈)	52.1 (20 ¹ / ₂)	3 ⁵ / ₈ (9.2)

Toutes les dimensions sont en pouces (cm).

Laissez un espace de 2" (5 cm) au-dessous de la plaque de cuisson pour dégager le câble et faciliter l'installation de la boîte de jonction sur le mur à l'arrière de la plaque de cuisson.

Imprimé en Chine

P/N A01705205 (0921) Rev. A

English – pages 1-8

Español – pages 9-16

Français - 17-24

INSTRUCTIONS D'INSTALLATION POUR TABLE DE CUISSON À INDUCTION

L'armoire supérieure ne doit pas excéder une profondeur maximale de 33 cm (13 po).

Dégagement minimal de 76.2 cm (30 po) entre le haut de la surface de cuisson et la base de l'armoire en bois ou en métal non protégée.

Minimum de 61 cm (24 po) lorsque la base de l'armoire en bois ou en métal est protégée par un celloderme retardateur de flammes d'un minimum de 0.3 cm (1/8 po) recouvert d'une feuille de métal MSG No 28, d'acier inoxydable d'un minimum de 0.4 mm (0,015), d'aluminium de 0.6 mm (0,024) ou de cuivre de 0.5 mm (0,020).

* Les lettres sur cette figure réfèrent aux valeurs du tableau de la page précédente sauf pour **J, K et L**.

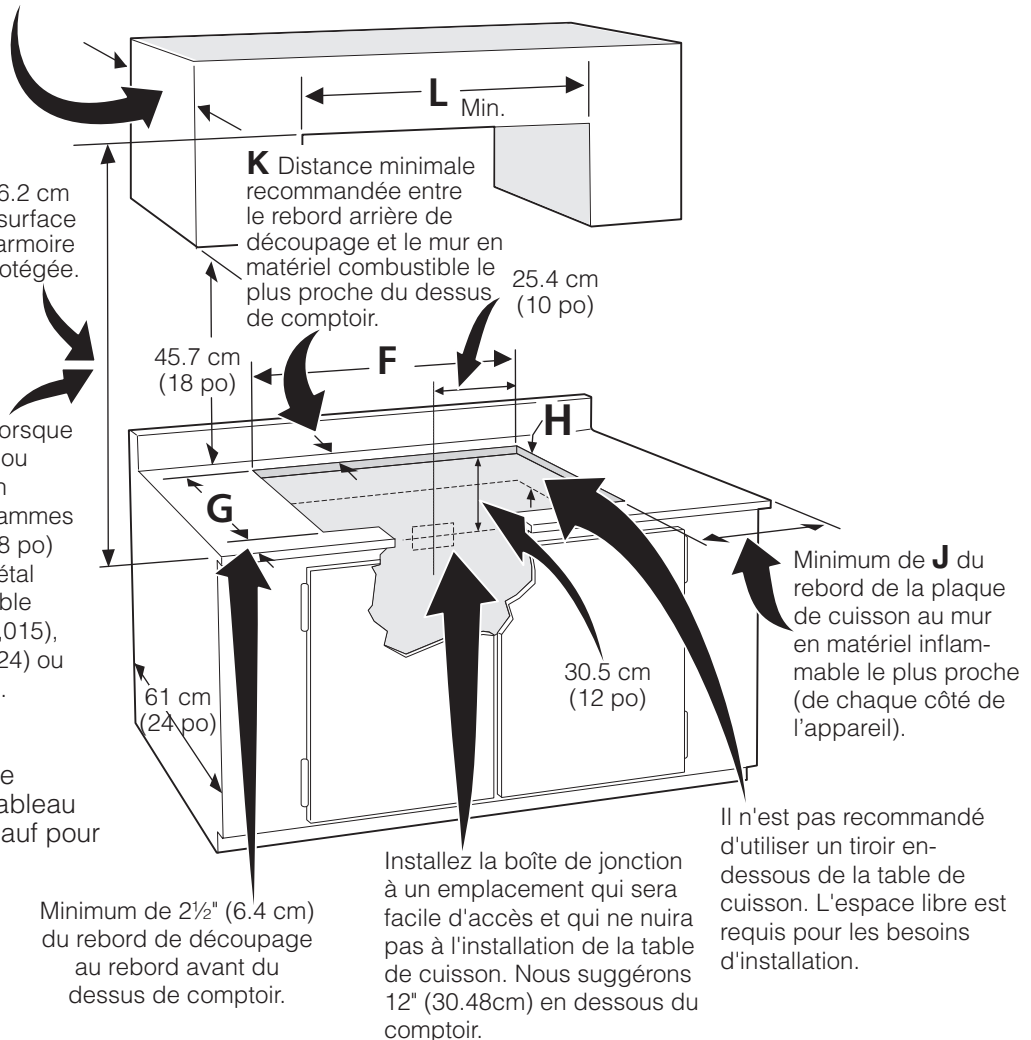


Figure 2 – OUVERTURE DE DÉCOUPAGE DU COMPTOIR

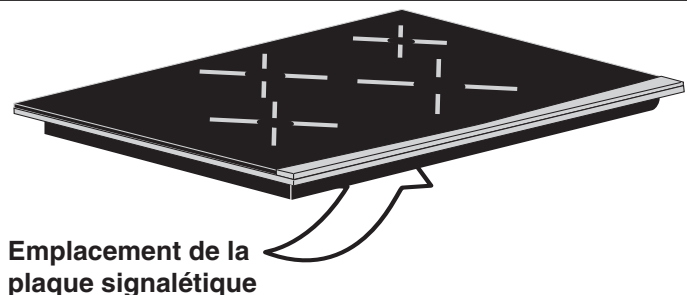
AVERTISSEMENT Pour éliminer les risques de brûlures ou de feu en allongeant le bras au-dessus des surfaces de cuisson chaudes, évitez d'installer des armoires au-dessus de la plaque de cuisson. Si vous devez en installer, il est possible de réduire le risque en plaçant une hotte pour cuisinière qui excède horizontalement d'un minimum de 5" (12.7 cm) la base de l'armoire.

MODÈLE	J	K	L
30"	5.1cm (2 po)	3.8cm (1 1/2 po)	77.8cm (30 5/8 po)
36"	5.1cm (2 po)	5.1cm (2 po)	93.4cm (36 3/4 po)

Emplacement des numéros de modèle et de série

La plaque signalétique où se trouvent les numéros de modèle et de série est située sous la plaque de cuisson.

Pour toute commande de pièces ou demande de renseignements, au sujet de votre table de cuisson, assurez-vous de toujours inclure les numéros de modèle et de série, ainsi que le numéro ou la lettre du lot de votre table de cuisson.



Emplacement de la plaque signalétique

INSTRUCTIONS D'INSTALLATION POUR TABLE DE CUISSON À INDUCTION

Notes importantes pour l'installateur

1. Lisez toutes ces instructions avant de procéder à l'installation de la table de cuisson.
2. Enlevez tout le matériel d'emballage avant de procéder au raccordement électrique.
3. Observez tous les codes et règlements applicables.
4. Assurez-vous de laisser ces instructions au consommateur.
5. Seulement certains modèles de tables de cuisson peuvent être installés au-dessus de certains modèles de fours à encastrer. Les tables de cuisson et les fours à encastrer approuvés sont identifiés par le numéro MFG ID et le code de produit.

Notes importantes pour le consommateur

Conservez ces instructions avec votre Guide de l'utilisateur pour références futures.

DIRECTIVES IMPORTANTES DE SÉCURITÉ

- **Assurez-vous que votre appareil est installé et mis à la terre correctement par un installateur ou un technicien de service qualifié.**
- **Cet appareil doit être mis à la terre conformément aux codes locaux d'électricité ou, en l'absence de codes, en conformité avec le National Electrical Code ANSI/NFPA No.70-Dernière édition aux États-Unis ou avec le CSA Standard C22.1, Canadian Electrical Code, Part 1, au Canada.**

⚠ AVERTISSEMENT Il faut couper l'alimentation électrique durant le branchement électrique. À défaut de ce faire il peut en résulter des blessures graves ou la mort.

Connexion électrique

Installez une boîte de jonction sous l'armoire reliée à un circuit de 240V ou 208V. NOTE: NE branchez PAS maintenant les câbles de l'appareil au panneau de distribution électrique.

Exigences électriques

Observez tous les règlements et les codes locaux applicables.

1. Un câble électrique à 3 fils ou 4 fils monophasé 120/240V ou 120/208V, 60Hz AC est requis sur un circuit séparé muni d'un fusible sur chaque fil conducteur (fusible temporisé ou disjoncteur recommandé). NE RELIEZ pas de fusible au neutre.
2. Un disjoncteur ou un fusible de 40 Ampères est requis pour le modèle 36" et 30 Ampères pour le modèle 30".

NOTE: Le calibre des fils et leurs connexions doivent être conformes à la capacité des fusibles et à la capacité nominale de l'appareil, selon le National Electrical Code ANSI/NFPA No.70-Dernière édition aux États-Unis ou avec le CSA Standard C22.1, Canadian Electrical Code, Part 1, au Canada.

⚠ AVERTISSEMENT N'utilisez pas de rallonge électrique avec cet appareil. Son utilisation peut causer un feu, un choc électrique ou des blessures corporelles.

3. Il faut brancher l'appareil au panneau de distribution en utilisant des câbles flexibles à gaine métallique ou non métallique. On doit brancher directement à la boîte de jonction le câble gainé flexible de l'appareil. Il faut installer la boîte de jonction tel qu'illustré à la Figure 2 en laissant autant de lâche que possible dans le câble entre la boîte et l'appareil, pour en faciliter le déplacement si l'entretien s'avère nécessaire.
4. Une longueur de câble suffisante doit être prévue pour permettre une connexion du câble gainé flexible à la boîte de jonction.

Instructions de déballage

1. Déballez et inspectez visuellement l'appareil.
2. Assurez-vous de laisser à vue d'oeil la bouteille de crème nettoyante qui se trouve dans l'enveloppe de littérature. Il est important que la surface vitrocéramique lisse soit pré-traitée avant d'être utilisée. Voir la section **Soins et Maintenance** de l'appareil dans votre **Guide de l'utilisateur**.

Connexions électriques

Branchez le câble flexible armé de l'appareil à la boîte de jonction à l'aide d'une bague anti-traction appropriée à l'endroit où le câble armé pénètre dans la boîte de jonction. Procédez alors comme suit avec la connexion électrique.

La mise à la terre de cet appareil est requise.

⚠ AVERTISSEMENT Cet appareil est muni d'un câble conducteur flexible avec fils en cuivre. Si la connexion est faite à un filage résidentiel en aluminium, utilisez seulement des connecteurs spéciaux approuvés pour le raccord de fils en cuivre à des fils en aluminium conformément au code national d'électricité et aux codes et ordonnances locaux. Le raccordement inexact d'un câble électrique d'aluminium aux fils de cuivre peut avoir pour conséquence un court-circuit ou un feu. Suivez le procédé recommandé par le fabricant.

Cet appareil est fabriqué avec un câble d'alimentation possédant un fil de mise à la terre vert (ou de cuivre dénudé) relié au châssis.

⚠ AVERTISSEMENT NE PAS utiliser un tuyau à gaz pour la mise à la terre. NE PAS raccorder l'appareil tant que sa mise à la terre n'est pas complétée. Raccordez les fils de mise à la terre avant de mettre l'appareil sous tension électrique.

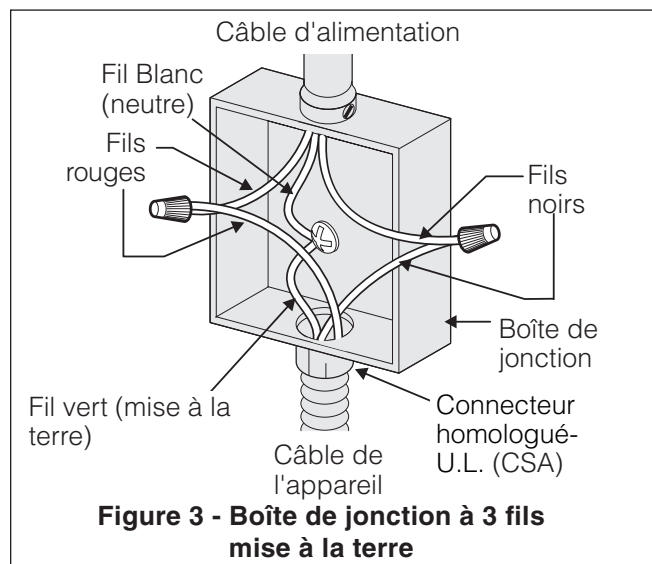
INSTRUCTIONS D'INSTALLATION POUR TABLE DE CUISSON À INDUCTION

Si le câble de l'appareil est muni de 3 fils:

Où les codes locaux permettent de brancher le conducteur de mise à la terre de l'appareil au fil neutre (blanc) (voir la figure 3):

1. Débrancher l'alimentation.
2. Dans le disjoncteur, boîte de fusibles ou boîte de jonction: connecter l'appareil au câble d'alimentation comme montré à la figure 3.

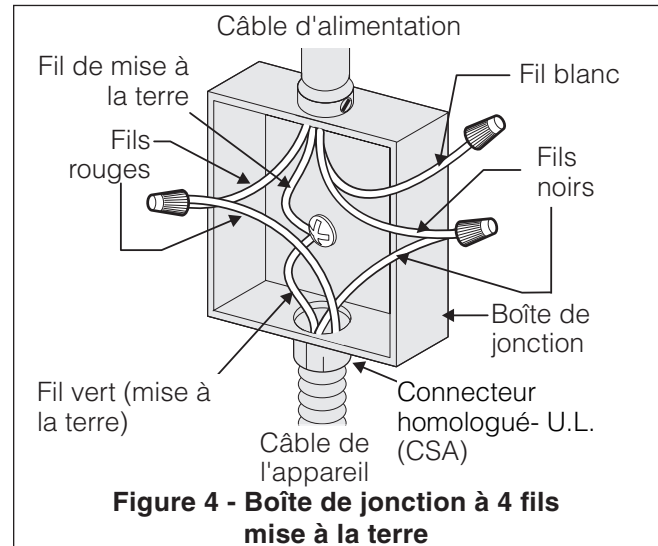
⚠ AVERTISSEMENT Vous ne pouvez pas faire la mise à la terre de l'appareil par le fil neutre (blanc) si l'appareil est utilisé dans une nouvelle installation de circuit branché (1996 NEC), maison mobile, véhicule récréatif, ou où les codes locaux ne permettent pas la mise à la terre par le fil neutre (blanc).



Quand la mise à la terre par le fil neutre (blanc) est interdite, vous devez utiliser un câble d'alimentation à 4 fils. Voir la figure 4. Ne pas suivre cet avertissement peut avoir pour résultat l'électrocution ou d'autres blessures personnelles sérieuses.

Si la table de cuisson est utilisée dans une nouvelle installation de circuit branché (1996 NEC), maison mobile, véhicule récréatif, ou où les codes locaux ne permettent pas la mise à la terre par le fil neutre (blanc) (voir figure 4):

1. Débrancher l'alimentation.
2. Dans le disjoncteur, la boîte de fusibles ou la boîte de jonction : brancher l'appareil au câble d'alimentation comme indiqué à la figure 4.



⚠ ATTENTION Si la connexion a été faite en utilisant un système électrique à 4 fils, le châssis de l'appareil NE DOIT PAS être branché au fil neutre du câble à 4 fils.

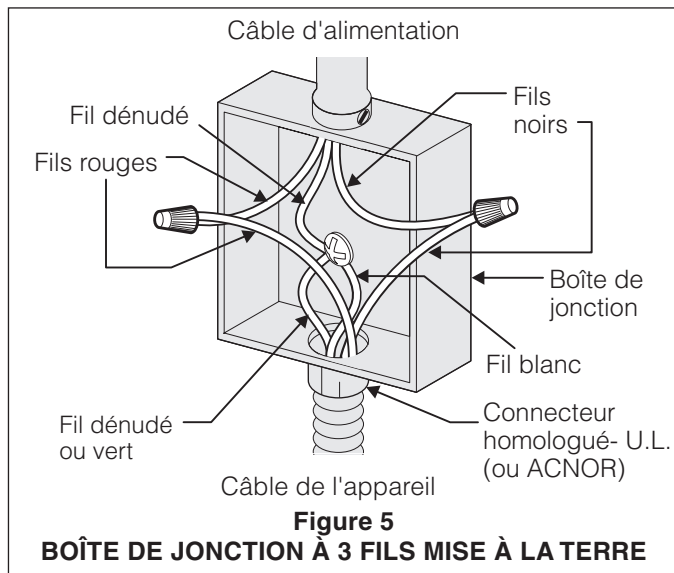
NOTE POUR L'ÉLECTRICIEN: Le câble gainé fourni avec cet appareil est homologué par UL pour connexion à des circuits résidentiels de fils de calibre supérieur. La capacité thermique de l'isolant des câbles excède considérablement celle des circuits résidentiels. La transmission du courant électrique maximum permise des fils du câble est en fonction de la capacité thermique de la gaine plutôt que du calibre du fil.

INSTRUCTIONS D'INSTALLATION POUR TABLE DE CUISSON À INDUCTION

Si le câble de l'appareil est muni de 4 fils:

Si les codes locaux permettent la connexion du fil de mise à la terre du châssis au neutre (blanc) (aux États-Unis seulement) (voir figure 5):

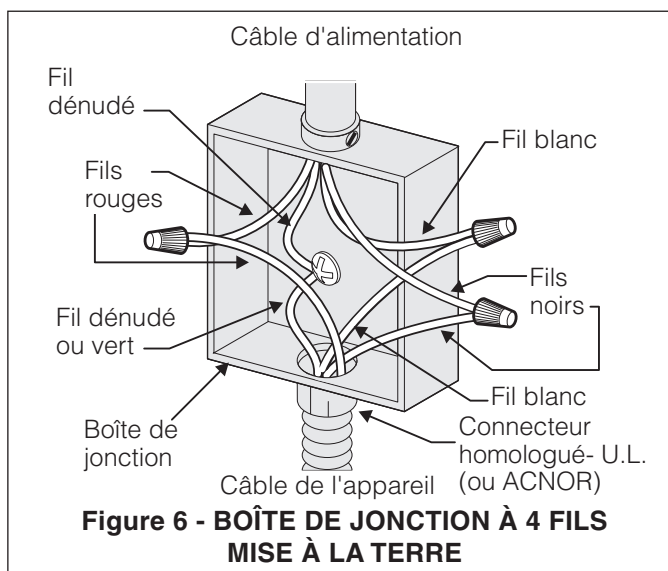
1. Coupez l'alimentation à la boîte de jonction.
2. Dans la boîte de jonction:
Raccordez les fils de l'appareil à ceux du circuit électrique tel que montré à la figure 5.



⚠ AVERTISSEMENT Cet appareil est fabriqué avec un câble d'alimentation muni d'un fil blanc neutre et d'un fil de mise à la terre en cuivre branché sur le châssis. Si l'appareil est utilisé, aux États-Unis, dans une maison mobile, un nouveau branchement (1996 NEC), un véhicule récréatif où les codes locaux n'autorisent pas la connexion du conducteur de mise à la terre du châssis au neutre ou au Canada, débranchez les fils blanc et vert des autres et utilisez le fil de mise à la terre pour mettre à la terre l'appareil conformément aux codes locaux, branchez le conducteur neutre de manière habituelle au circuit neutre voir la figure 6. Si l'appareil doit être branché à un câble à 3 fils (aux États-Unis seulement), où les codes locaux permettent la connexion du fil de mise à la terre du châssis au neutre (blanc). Voir la figure 5.

Si l'appareil est utilisé dans une maison mobile, un nouveau branchement (1996 NEC), un véhicule récréatif ou si les codes locaux N'AUTORISENT PAS la connexion du conducteur de mise à la terre du châssis au neutre (fil blanc), le châssis de l'appareil **NE DOIT PAS** être branché au fil neutre du câble à 4 fils. (voir la figure 6):

1. Coupez l'alimentation à la boîte de jonction.
2. Séparez le fil blanc du fil dénudé en cuivre de mise à la terre du câble d'alimentation de l'appareil.
3. Dans la boîte de jonction:
Raccordez les fils de l'appareil à ceux du circuit électrique tel que montré à la figure 6.



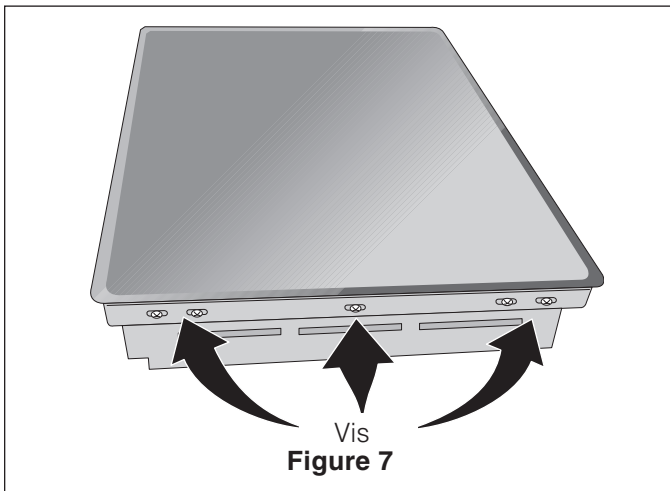
⚠ ATTENTION Si la connexion a été faite en utilisant un système électrique à 4 fils, le châssis de l'appareil **NE DOIT PAS** être branché au fil neutre du câble à 4 fils.

ÉLECTRICIEN: Le câble gainé fourni avec cet appareil est homologué par UL pour connexion à des circuits résidentiels de fils de calibre supérieur. La capacité thermique de l'isolant des câbles excède considérablement celle des circuits résidentiels. La transmission du courant électrique maximum permise des fils du câble est en fonction de la capacité thermique de la gaine plutôt que du calibre du fil.

INSTRUCTIONS D'INSTALLATION POUR TABLE DE CUISSON À INDUCTION

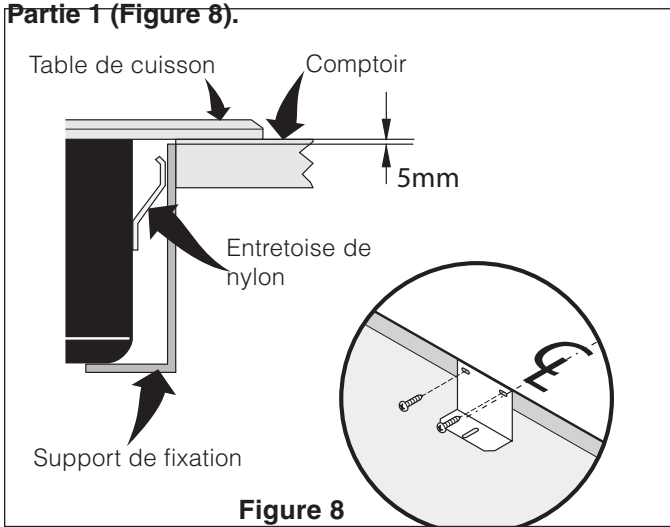
Installation de la table de cuisson

1. Vérifiez si la table de cuisson est endommagée. Veillez également à ce que toutes les vis de la table de cuisson soient bien serrées (Figure 7).

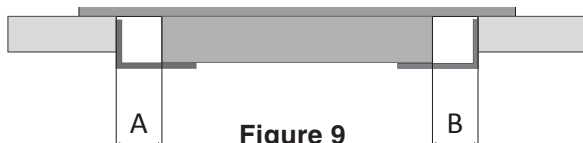


2. Installez les supports de fixation (voir figure 8)

Les supports de fixation **DOIVENT** être installés conformément aux codes locaux ou, en l'absence de codes, en conformité avec le National Electrical Code ANSI/NFPA No. 70--Dernière édition ou avec le CSA Standard C22.1 du code électrique canadien, Partie 1 (Figure 8).



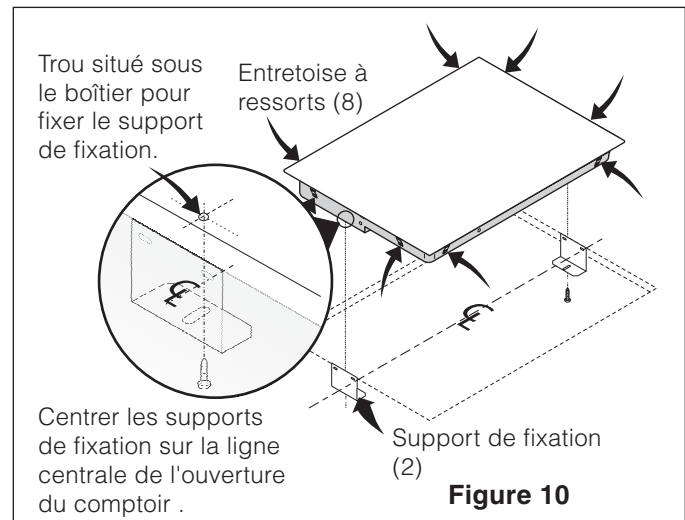
3. Insérez l'appareil dans l'ouverture du comptoir.



Pendant l'installation avec une large découpage, assurez-vous que la plaque de cuisson est centrée. Les écarts A et B devraient avoir les mêmes dimensions. Les trous allongés à la base des supports de montage sont conçus pour s'adapter à toutes les découpages.

⚠ AVERTISSEMENT N'enlevez pas les entretoises à ressorts sur les rebords de l'appareil. Ces entretoises centrent l'appareil dans l'espace fourni à cet effet. L'appareil doit être centré pour empêcher l'accumulation d'excès de chaleur pouvant entraîner des dommages par la chaleur ou le feu (voir Figure 10).

4. Fixez l'appareil au support de fixation en utilisant les vis fournies (voir Figure 10).



Installation sur un comptoir de granite

Le kit pour l'installation sur un comptoir de granite #903061-9010 peut être commandé en passant par votre centre de service ou en téléphonant au 1-877-ELECTROLUX (1-877-435-3287).

Vérification de fonctionnement

Référez-vous au **Manuel d'utilisation** pour le mode de fonctionnement.

⚠ AVERTISSEMENT Ne touchez pas à la vitre de l'appareil ou aux éléments. Ils peuvent être suffisamment chauds pour causer des brûlures.

Avant d'appeler le service d'entretien

Consultez la liste "Avant d'appeler" et les instructions d'opération qui se trouvent dans votre **Manuel d'utilisation**. Vous sauvez probablement du temps et de l'argent. La liste contient les incidents ordinaires ne résultant pas de défauts dans le matériel ou la fabrication de cet appareil.

Référez-vous au **Manuel d'utilisation** pour les numéros de téléphone du service après-vente.

INSTRUCTIONS D'INSTALLATION POUR TABLE DE CUISSON À INDUCTION

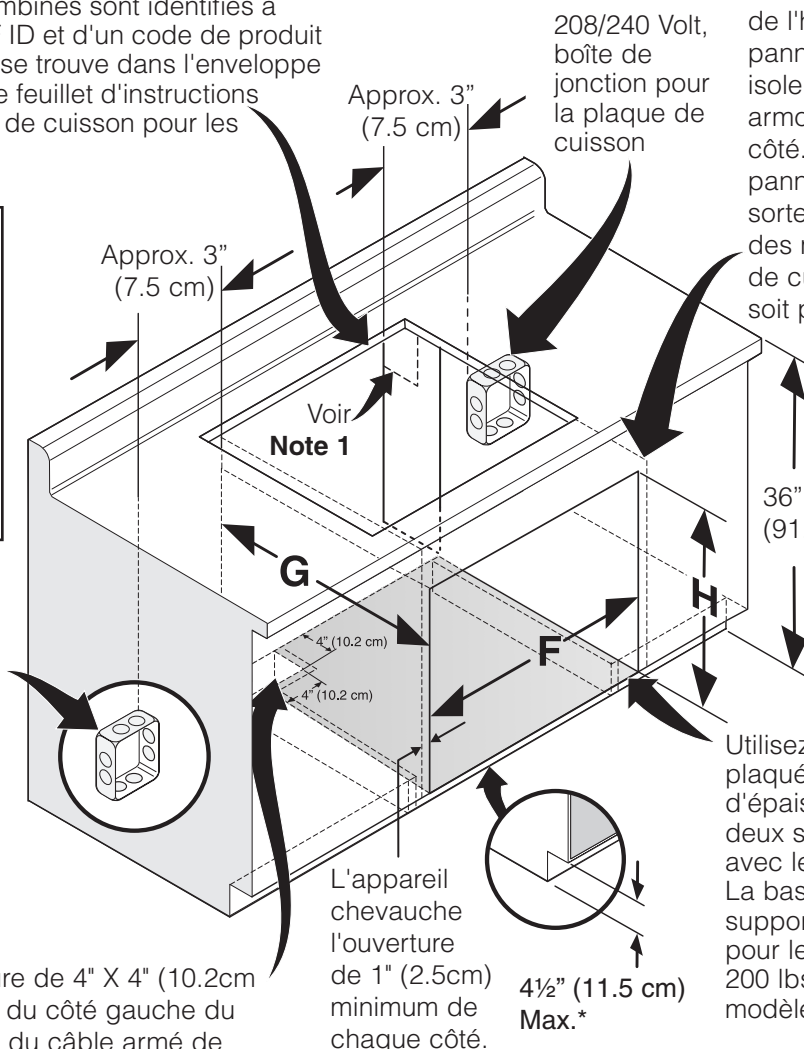
L'installation typique d'un four encastré électrique sous le comptoir est présentée à la figure.

Seulement certains modèles de tables de cuisson peuvent être installés au-dessus de certains modèles de fours encastrés. Les modèles approuvés pour être combinés sont identifiés à l'aide d'un numéro MGF ID et d'un code de produit (Consultez la feuille qui se trouve dans l'enveloppe de littérature ainsi que le feuillet d'instructions d'installation de la table de cuisson pour les dimensions).

Note 1: Découpez une ouverture de 4" x 4" (10.2cm X 10.2cm) pour la sortie du câble armé vers la boîte de jonction.

Il faut fermer les côtés de l'habitacle par des panneaux de bois pour isoler l'appareil des armoires de chaque côté. La hauteur de ces panneaux doit faire en sorte que l'installation des modèles de tables de cuisson au dessus soit possible.

AVERTISSEMENT
Pour réduire les risques de blessures et pour empêcher le four encastré de basculer. Utilisez les supports de fixation pour retenir le four encastré à l'armoire.



208/240 Volt, boîte de jonction pour le four encastré

Découpez une ouverture de 4" X 4" (10.2cm X 10.2cm), à 2" (5 cm) du côté gauche du plancher pour la sortie du câble armé de l'appareil vers la boîte de jonction.

L'appareil chevauche l'ouverture de 1" (2.5cm) minimum de chaque côté.
 4½" (11.5 cm) Max.*

Utilisez un contre-plaqué de ¾" (1.9 cm) d'épaisseur monté sur deux solives et à égalité avec le coup-de-pied. La base doit pouvoir supporter 150 lbs (68 kg) pour les modèles 27" et 200 lbs (90 kg) pour les modèles 30".

* Si aucune table de cuisson n'est installée au-dessus du four encastré, un maximum de 5" (12.7cm) à partir du plancher est permis.

DIMENSIONS DE L'OUVERTURE			
	F. LARGEUR	G. PROFONDEUR	H. HAUTEUR
Four encastré 27" (68.6cm)	24 ⁷ / ₈ " (63.2cm) Min. 25 ¹ / ₄ " (64.1cm) Max.	23 ¹ / ₂ " (59.7cm) Min.	27 ¹ / ₄ " (69.2cm) Min. 28 ¹ / ₄ " (71.8cm) Max.
Four encastré 30" (76.2cm)	28 ¹ / ₂ " (72.4cm) Min. 29" (73.7cm) Max.	23 ¹ / ₂ " (59.7cm) Min.	27 ¹ / ₄ " (69.2cm) Min. 28 ¹ / ₄ " (71.8cm) Max.

INSTALLATION TYPIQUE D'UN FOUR ENCASTRÉ SIMPLE SOUS LE COMPTOIR AVEC UNE TABLE DE CUISSON ÉLECTRIQUE OU À GAZ INSTALLÉE PAR-DESSUS

NOTES