

Frigidaire

Factory Parts Catalog

Product No.	FEB27T5DCB
	37054741E4052
Series	27" double
Color	black
Market	North America
Wiring Diagram	318046119
Owner's Guide	318200924
Installation Instructions	316201514
Service Data Sheet	318047305
Timer Guide	318200132

 **Electrolux**

Electrolux Major Appliances
North & Latin America
P.O. BOX 212378
AUGUSTA, GA 30917

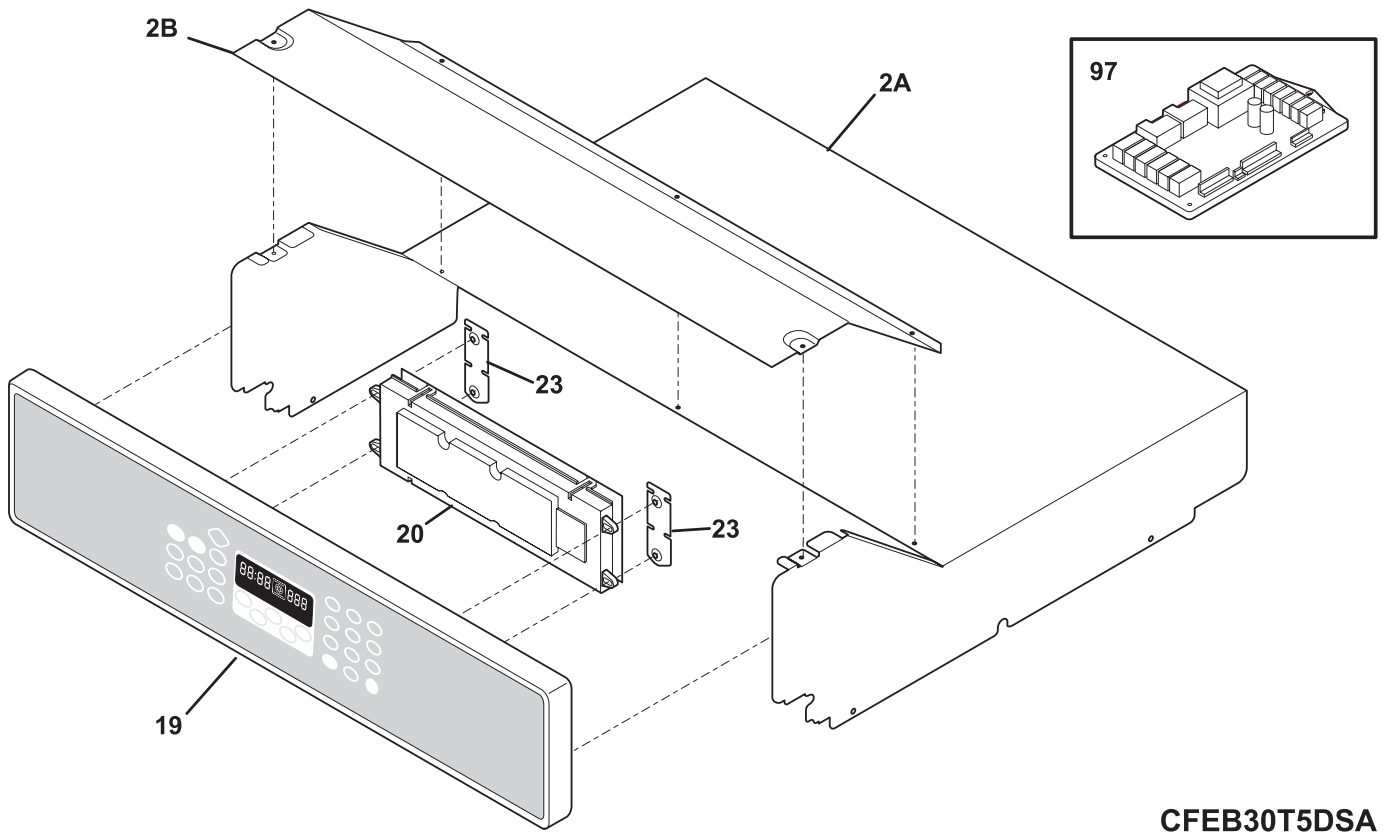
Publication No.
5995442927
05/07/27
(EN/SERVICE/BJH)
377

**DOUBLE ELECTRIC
WALL OVEN**

**Model No.
FEB27T5D**

Copyright © 2005 Electrolux Home Products, Inc.
All rights reserved.

CONTROL PANEL

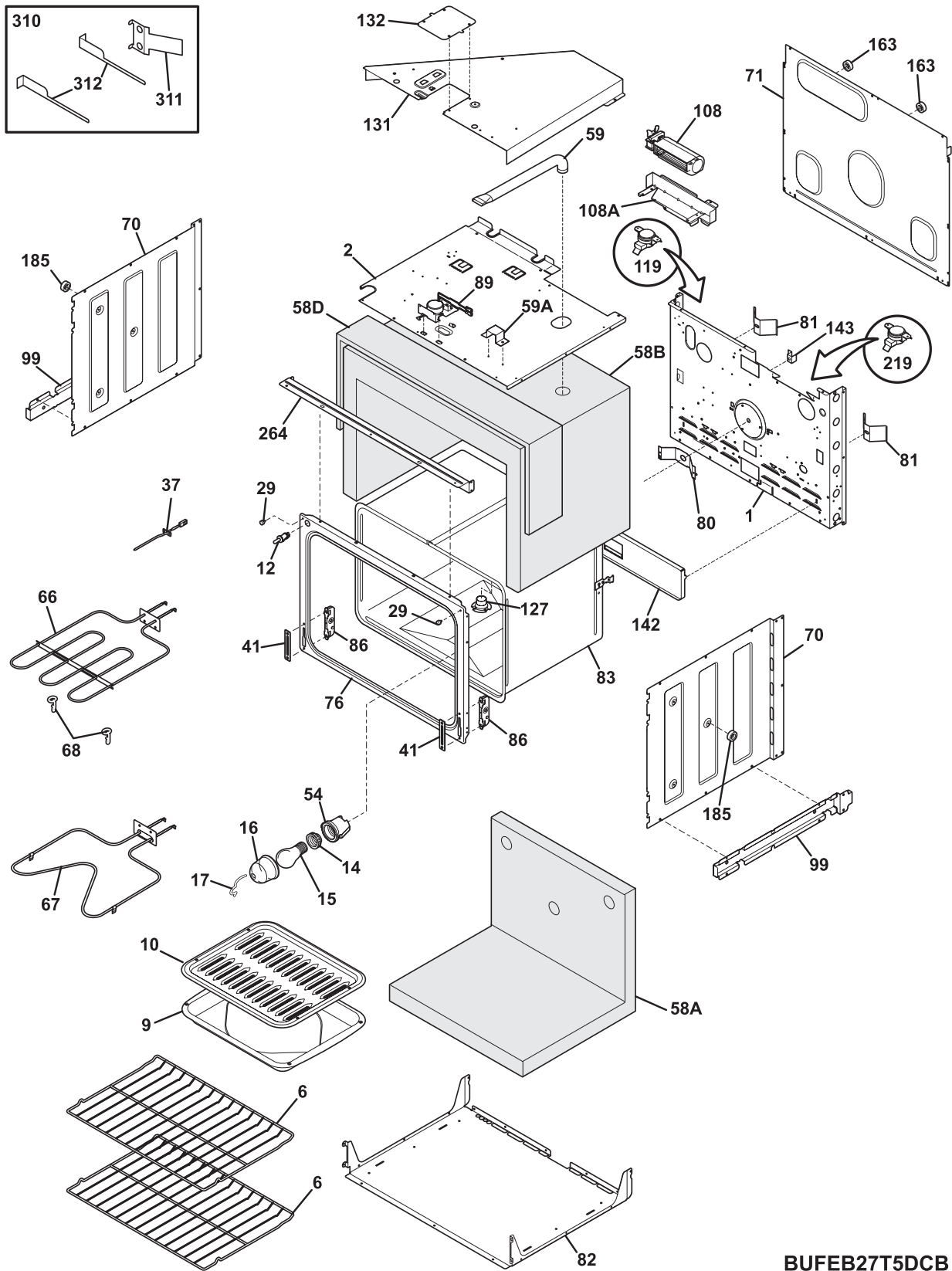


CFEB30T5DSA

CONTROL PANEL

POS. NO	PART NO.	DESCRIPTION
2A	318257301	Shield, oven top
2B	318260101	Cover, box
19	318274415	Control Panel Assembly, glass, black, w/touch pad
20 #	316429702	Control, electronic, 5800W1, dual oven
*	316021107	Screw, hex head, 8-32, silver
23	318262900	Bracket, control mtg., (2)
97	316429800	Board, relay, dual oven
*	318231704	Harness, wiring, control-relay
*	5303211311	Screw, 8 x 0.500

UPPER OVEN

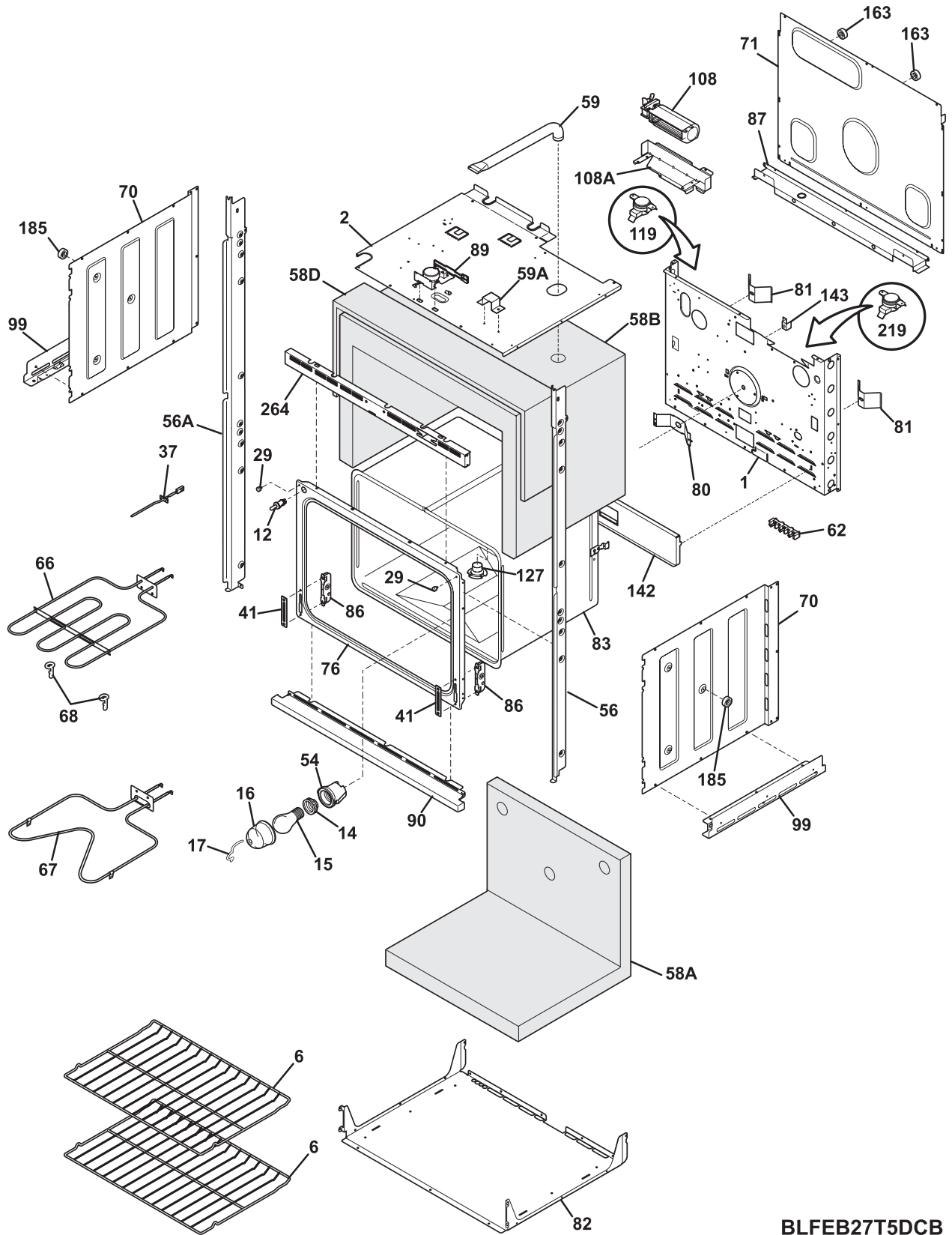


BUFE27T5DCB

UPPER OVEN

POS. NO	PART NO.	DESCRIPTION
1	318259210	Back, main
2	318258910	Shield, insulation, upper
6	318262602	Rack, oven, (2)
9	5303317977	Pan, broiler
10	5303317976	Insert, broiler pan
12 #	318089917	Switch, light
14	318224000	Receptacle, oven light
14*	318268099	Insulation, oven light
15	5303013071	Bulb/Lamp, oven light
16	3201911	Cover, oven light, glass
17	5304400195	Retainer, light cover
29	318147411	Bumper, (2)
37 #	316217002	Probe, oven temp
41	5303310526	Cover, hinge cutout
54	318222400	Housing, oven light
58A	318285060	Insulation, rear & bottom, oven wrapper
58B	318285059	Insulation, top & sides, oven wrapper
58D	318285058	Insulation, 1/2" thick, 43 x 9.5
59	318072560	Duct, oven vent
59A	318261600	Bracket, vent tube
66 #	318255601	Element, broil, 3400W
67 #	318255103	Element, bake, 2300W
68	5304403015	Support, hanger, (2), broil element
70	318259100	Shield, insulation, sides, (2)
71	318260001	Panel, rear box
76	318056222	Front, oven
80	5303320846	Plate, oven mtg
81	318192400	Spring, oven
82	318258710	Shield, insulation, lower
83	318261502	Liner, oven assy
86	5303310524	Receptacle, hinge
89 #	318261202	Motor, latch assy
*	318231705	Harness, latch
99	318252800	Support, side
108#	318073018	Motor, blower
108A	318251300	Bracket, fan support
119#	318004900	Switch, thermal
127	318317100	Adapter Assembly, vent tube, w/converter
131	318272900	Box, vent
132	318003000	Plate, shield
142	318123910	Deflector
143	318172904	Support, wire/glass
163	318014111	Spacer
185	318014700	Spacer, oven shield, (4)
219#	318003614	Thermostat, safety
264	318257711	Trim, oven, black, front
310	5304440067	Cabinet Mounting Kit
311	318246010	Bracket, cabinet mtg, (2)
311*	5304438005	Screw, 6 x 1, black
312	318246702	Tool, cabinet bracket, RH
312	318246703	Tool, cabinet bracket, LH
*	3201861	Screw, 6 x 0.375, (4)
*	08016432	Screw, truss head, 8-18 x 0.375
*	5303211311	Screw, 8 x 0.500
*	5303300265	Screw, 8-18 x 0.500, chrome, (3)
*	5303323277	Screw, 8-18 X 13/32
*	5304436875	Screw, 8-18 X 1/2, black

LOWER OVEN

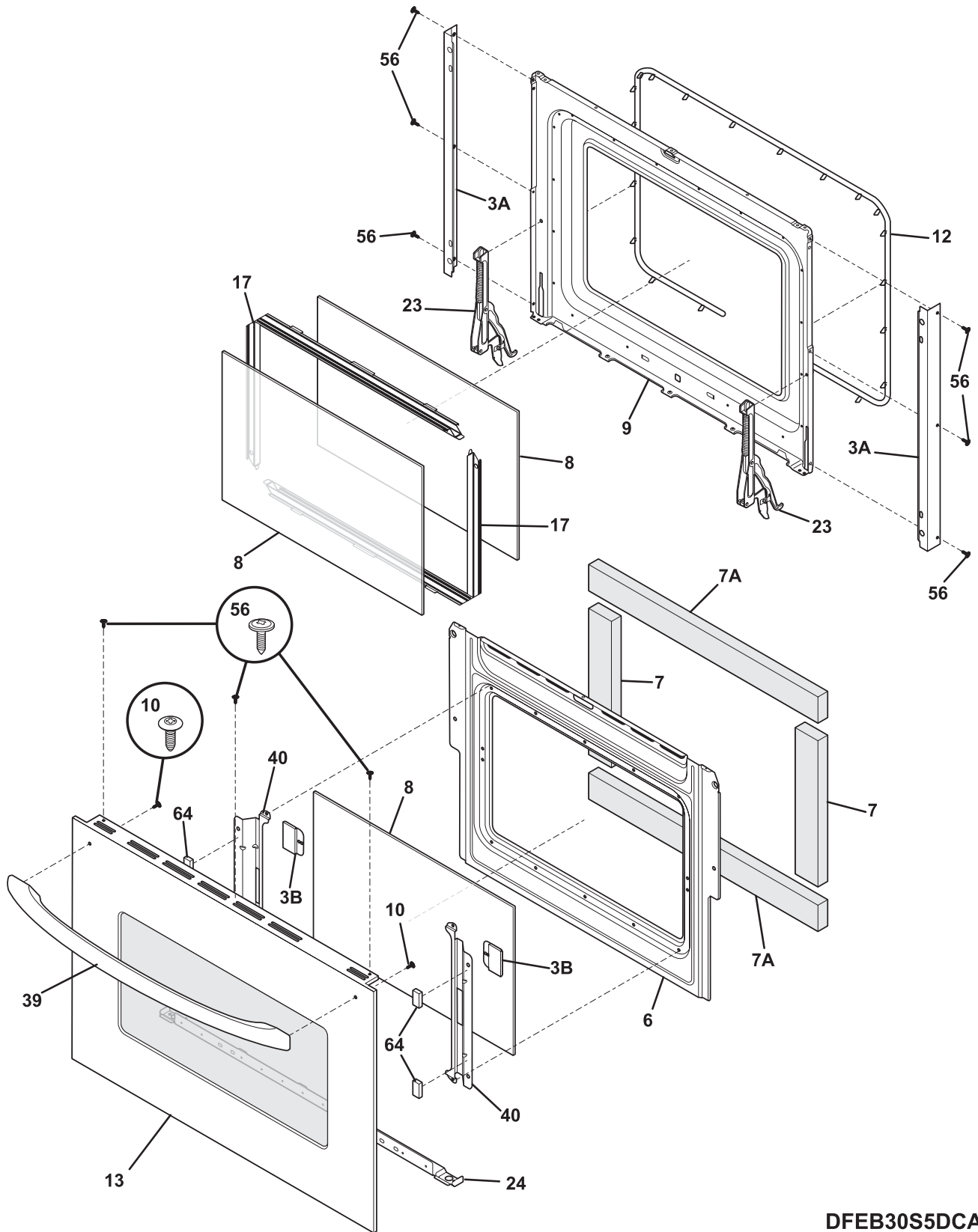


BLFEB27T5DCB

LOWER OVEN

POS. NO	PART NO.	DESCRIPTION
1	318259210	Back, main
2	318258910	Shield, insulation, upper
6	318262602	Rack, oven, (2)
12 #	318089917	Switch, light
14	318224000	Receptacle, oven light
14*	318268099	Insulation, oven light
15	5303013071	Bulb/Lamp, oven light
16	3201911	Cover, oven light, glass
17	5304400195	Retainer, light cover
29	318147411	Bumper, (2)
37 #	316217002	Probe, oven temp
41	5303310526	Cover, hinge cutout
54	318222400	Housing, oven light
56	318259914	Trim, side filler, black, RH
56A	318259915	Trim, side filler, black, LH
58A	318285060	Insulation, rear & bottom, oven wrapper
58B	318285059	Insulation, top & sides, oven wrapper
58D	318285058	Insulation, 1/2" thick, 43 x 9.5
59	318072560	Duct, oven vent
59A	318261600	Bracket, vent tube
62	316056000	Terminal Block
62*	5303323139	Screw, 10-24 x 0.906
62*	5303323144	Nut, 10-32
66 #	318255601	Element, broil, 3400W
67 #	318255103	Element, bake, 2300W
68	5304403015	Support, hanger, (2), broil element
70	318259100	Shield, insulation, sides, (2)
71	318260001	Panel, rear box
71*	318340200	Bracket, insul. panel
76	318056222	Front, oven
80	5303320846	Plate, oven mtg
81	318192400	Spring, oven
82	318258710	Shield, insulation, lower
83	318261502	Liner, oven assy
86	5303310524	Receptacle, hinge
87	318260601	Bracket, cable mtg.
89 #	318261202	Motor, latch assy
*	318231705	Harness, latch
90	318259711	Trim, oven front, black, bottom
99	318256200	Bracket, side, bottom, (2)
108#	318073018	Motor, blower
108A	318251300	Bracket, fan support
119#	318004900	Switch, thermal
127	318317100	Adapter Assembly, vent tube, w/converter
142	318123910	Deflector
143	318172904	Support, wire/glass
163	318014111	Spacer
185	318014700	Spacer, oven shield, (4)
219#	318003614	Thermostat, safety
264	318257811	Trim, oven, black, front
* #	318078543	Box & wires assy
*	318231740	Harness, wiring, main
*	3201861	Screw, 6 x 0.375, (4)
*	08016432	Screw, truss head, 8-18 x 0.375
*	5303211311	Screw, 8 x 0.500
*	5303323277	Screw, 8-18 X 13/32
*	5304436875	Screw, 8-18 X 1/2, black

DOORS

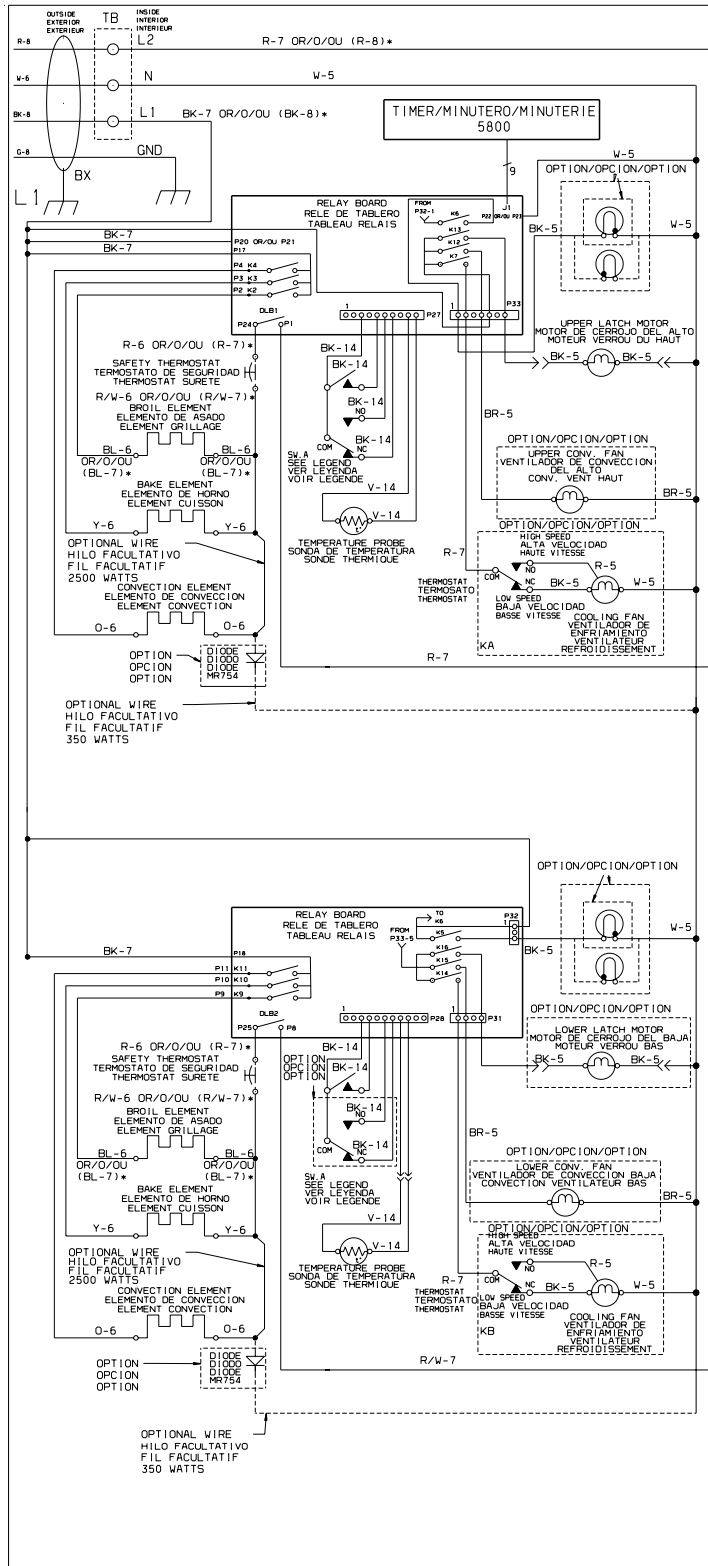


DFEB30S5DCA

DOORS

POS. NO	PART NO.	DESCRIPTION
3A	318260401	Trim, oven door, side, (2)
3B	318262101	Cover, rear door, black, (2)
6	318260510	Baffle, door
7	318285057	Insulation, oven door
7A	318285061	Insulation, (2)
8	318212200	Glass, oven door, heat barrier
9	318259615	Liner, upper door
10	5303311174	Screw, 10-24 x 3/8
12	318053125	Seal, upper door
13	318272103	Door Assy, w/glass, stainless steel, outer, w/tape & foil
17	318264700	Spacer, glass, (2)
23	318024722	Hinge, upper door, (2)
24	318260311	Trim, door, black, lower
39	318264500	Handle, oven door, black
40	318242700	Bracket, glass holder, (2)
56	5304436875	Screw, 8-18 X 1/2, black
64	318165800	Spacer, (2)
*	318163602	Cleaner, stainless steel
*	08016432	Screw, truss head, 8-18 x 0.375
*	5303211311	Screw, 8 x 0.500
*	5303323277	Screw, 8-18 X 13/32

WIRING DIAGRAM



COLORS / COLOR / COULEURS

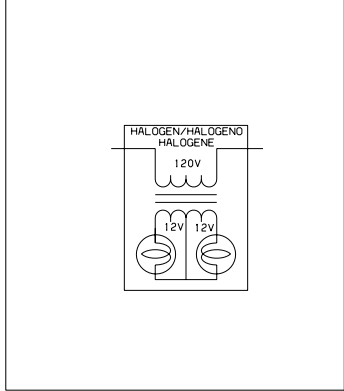
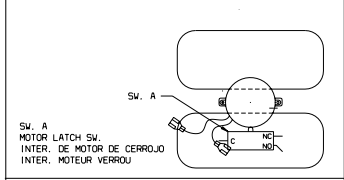
BK - BLACK/NEGRO/NOIR
 W - WHITE/BLANCO/BLANC
 O - ORANGE/MARANJA/GRANGE
 BR - BROWN/MORENO/BRUN
 PK - PINK/ROSA/ROSE
 V - VIOLET/IOLETA/VIOLET
 G - GREEN/VERDE/VERT
 R - RED/ROJO/ROUGE
 Y - YELLOW/AMARILLO/JAUNE
 BL - BLUE/AZUL/BLEU
 BR/W - BROWN/WHITE // MORENO/BLANCO // BRUN/BLANC
 BL/W - BLUE/WHITE // AZUL/BLANCO // BLEU/BLANC

CODE/CODIGO/CODE

CODE	GAUGE/MED. CALIBRE	TEMP. °C	STYLE	CSA	UL
1	18	125	CL-1251	3173	
2	14	125	CL-1251	3173	
3	14	125	CL-1251	3173	
4	12	125	CL-1251	3173	
5	18	150	EXL-150	3321	
6	16	150	EXL-150	3321	
7	14	150	EXL-150	3321	
8	12	150	EXL-150	3321	
9	10	150	EXL-150	3321	
10	18	200	SEW-1	3122	
11	16	200	SEW-1	3122	
12	12	250		3252	
13	16	250		3252	
14	20	150	EXL-150	3321	
15	8	150	EXL-150	3321	
16	8	60			
17	10	60			

EXAMPLE/EJEMPLO/EXEMPLE: (R-8)*

- WHEN USING 4000 W. BROIL ELEMENT
- CUANDO SE USA 4000 W. ELEMENTO DE ASADO
- QUAND UTILISE AVEC 4000 W. ELEMENT GRILLAGE



CAUTION: DISCONNECT POWER BEFORE SERVICING UNIT.
ATENCION: CORTAR EL CORRIENTE ANTES DE REALIZAR EL MANTENIMIENTO DEL ELECTRODOMESTICO.
ATTENTION: COUPEZ L'ALIMENTATION AVANT D'EFFECTUER LA REPARATION.

318046119 REV. A