



Frigidaire

Factory Parts Catalog

Product No.	FEB30S6DBD	FEB30S6DQD	FEB30S6DSD
	38254381E4064	38254381E4044	38254381E4014
Series	30" wall oven	30" wall oven	30" wall oven
Color	black	bisque	white
Market	North America	North America	North America
Wiring Diagram	318046237	318046237	318046237
Owner's Guide	318200924	318200924	318200924
Installation Instructions	318201514	318201514	318201514
Service Data Sheet	318047413	318047413	318047413
Timer Guide	318200189	318200189	318200189

 **Electrolux**

Electrolux Major Appliances
 North & Latin America
 P.O. BOX 212378
 AUGUSTA, GA 30917

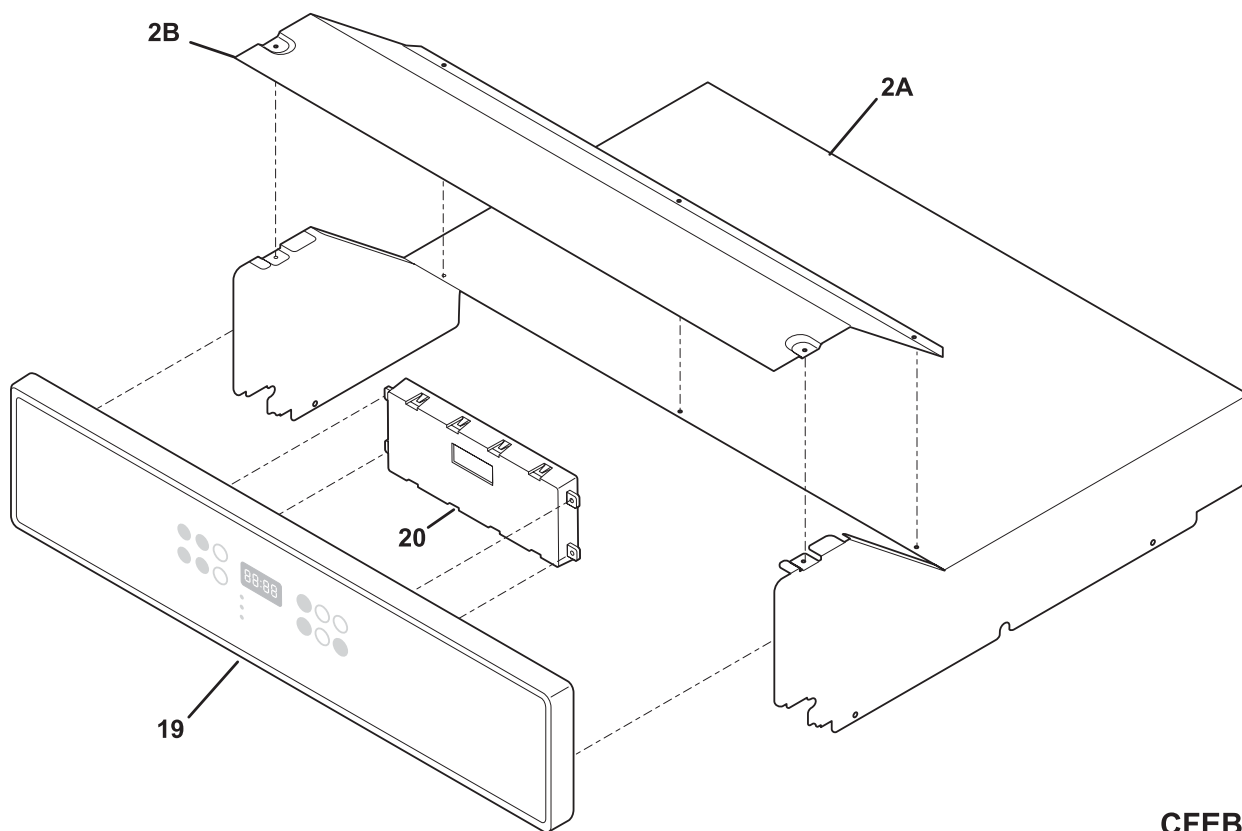
Publication No.
5995460093
 06/02/02
 (EN/SERVICE/BJH)
 377

**SINGLE ELECTRIC
 WALL OVEN**

Model No.
FEB30S6D

Copyright © 2006 Electrolux Home Products, Inc.
 All rights reserved.

CONTROL PANEL



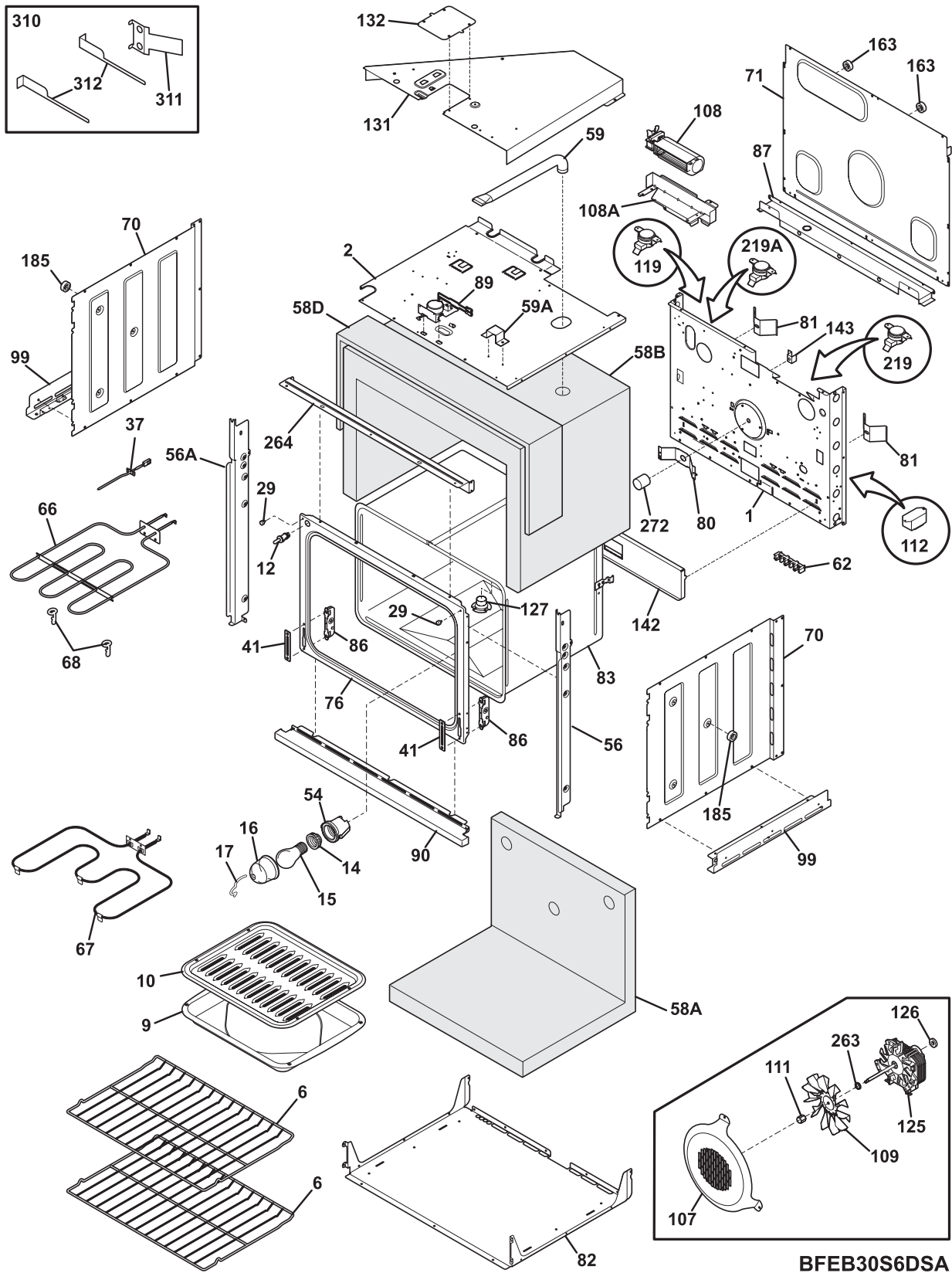
CFEB30S5DSA

CONTROL PANEL

Model Index: A FEB30S6D (FEB30S6DBD)
 B FEB30S6D (FEB30S6DQD)
 C FEB30S6D (FEB30S6DSD)

POS. NO	PART NO.		DESCRIPTION
2A	318257300	A B C	Shield, oven top
2B	318260100	A B C	Cover, box
19	318274605	A - -	Control Panel Assembly, glass, black, w/touch pad
19	318274604	- B -	Control Panel Assembly, glass, bisque, w/touch pad
19	318274603	- - C	Control Panel Assembly, glass, white, w/touch pad
20 #	316418523	A B C	Clock/Timer, electronic, ES350W2
*	5303211311	A B C	Screw, 8 x 0.500

BODY



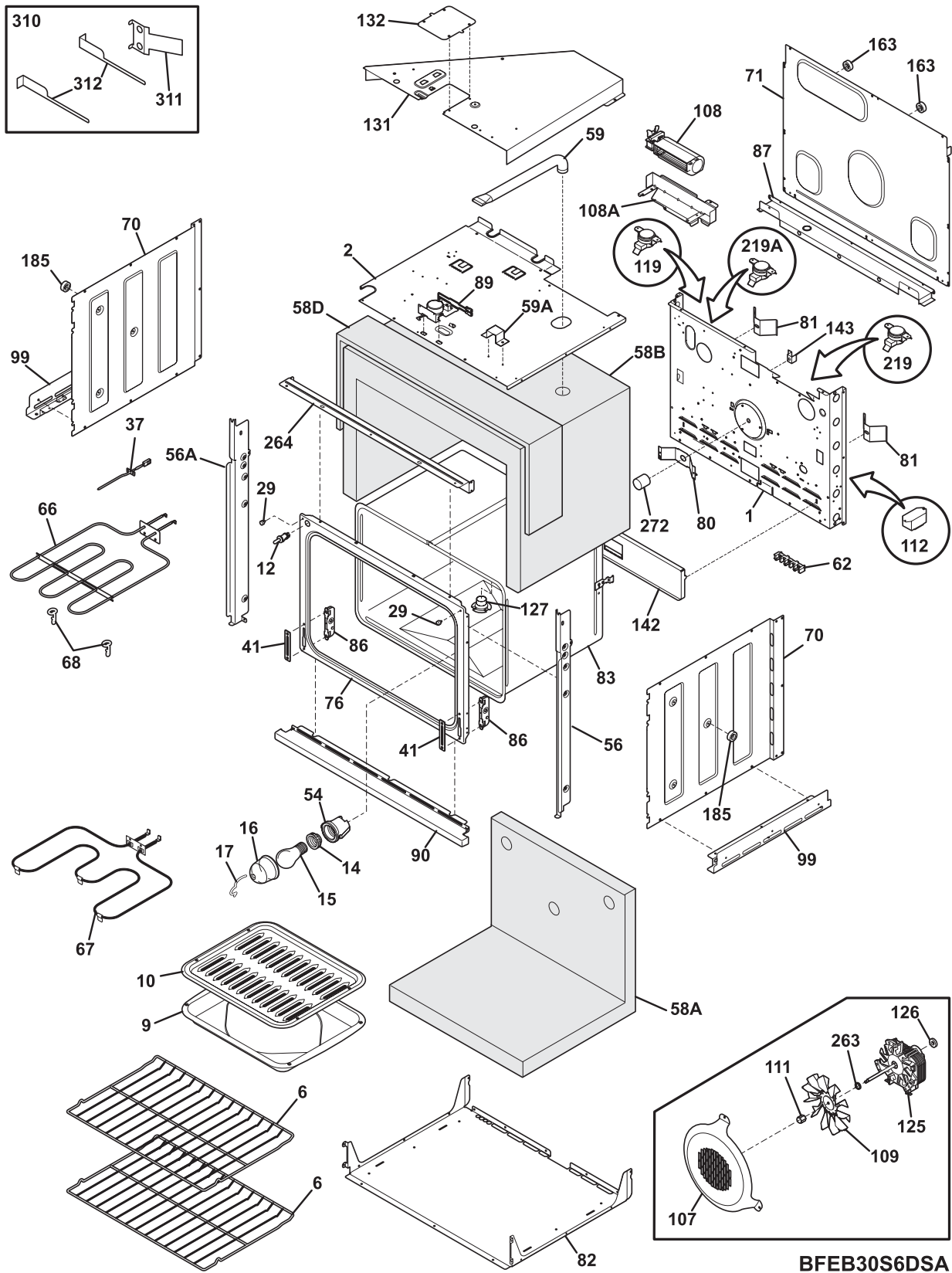
BFEB30S6DSA

BODY

Model Index: A FEB30S6D (FEB30S6DBD)
 B FEB30S6D (FEB30S6DQD)
 C FEB30S6D (FEB30S6DSD)

POS. NO	PART NO.		DESCRIPTION
1	318259202	A B C	Back, main
2	318258902	A B C	Shield, insulation, upper
6	318262502	A B C	Rack, oven
9	5303317977	A B C	Pan, broiler
10	5303317976	A B C	Insert, broiler pan
12 #	318089917	A B C	Switch, light
14	318224000	A B C	Receptacle, oven light
14*	318268099	A B C	Insulation, oven light
15	5303013071	A B C	Bulb/Lamp, light
16	3201911	A B C	Cover, oven light, glass
17	5304400195	A B C	Retainer, light cover
29	318147411	A B C	Bumper, (2)
37 #	316217002	A B C	Probe, oven temp
41	5303310526	A B C	Cover, hinge cutout
54	318222400	A B C	Housing, oven light
56	318259904	A - -	Trim, side filler, black, RH
56	318259906	- B -	Trim, side filler, bisque, RH
56	318259902	- - C	Trim, side filler, white, RH
56A	318259905	A - -	Trim, side filler, black, LH
56A	318259907	- B -	Trim, side filler, bisque, LH
56A	318259903	- - C	Trim, side filler, white, LH
58A	318285055	A B C	Insulation, oven wrapper
58B	318285056	A B C	Insulation, oven back
58D	318285058	A B C	Insulation, 1/2" thick, 43 x 9.5
59	318072560	A B C	Duct, oven vent
59A	318261600	A B C	Bracket, vent tube
62	316056000	A B C	Terminal Block
62*	5303323139	A B C	Screw, 10-24 x 0.906
62*	5303323144	A B C	Nut, 10-32
66 #	318255600	A B C	Element, broil, 2750W
67 #	318255401	A B C	Element, bake, 3400W
68	5304403015	A B C	Support, hanger, (2), broil element
70	318259100	A B C	Shield, insulation, sides, (2)
71	318260007	A B C	Panel, rear box
76	318056217	A B C	Front, oven
80	5303320846	A B C	Plate, oven mtg
81	318192400	A B C	Spring, oven
82	318258707	A B C	Shield, insulation, lower
83	318261404	A B C	Liner, oven assy
86	5303310524	A B C	Receptacle, hinge
87	318260600	A B C	Bracket, cable mtg.
89 #	318261202	A B C	Motor, latch assy
90	318259701	A - -	Trim, oven front, black, bottom
90	318259702	- B -	Trim, oven front, bisque, bottom
90	318259700	- - C	Trim, oven front, white, bottom
99	318256200	A B C	Bracket, side, bottom, (2)
107	318219401	A B C	Cover, fan
108#	318073018	A B C	Motor, blower

BODY



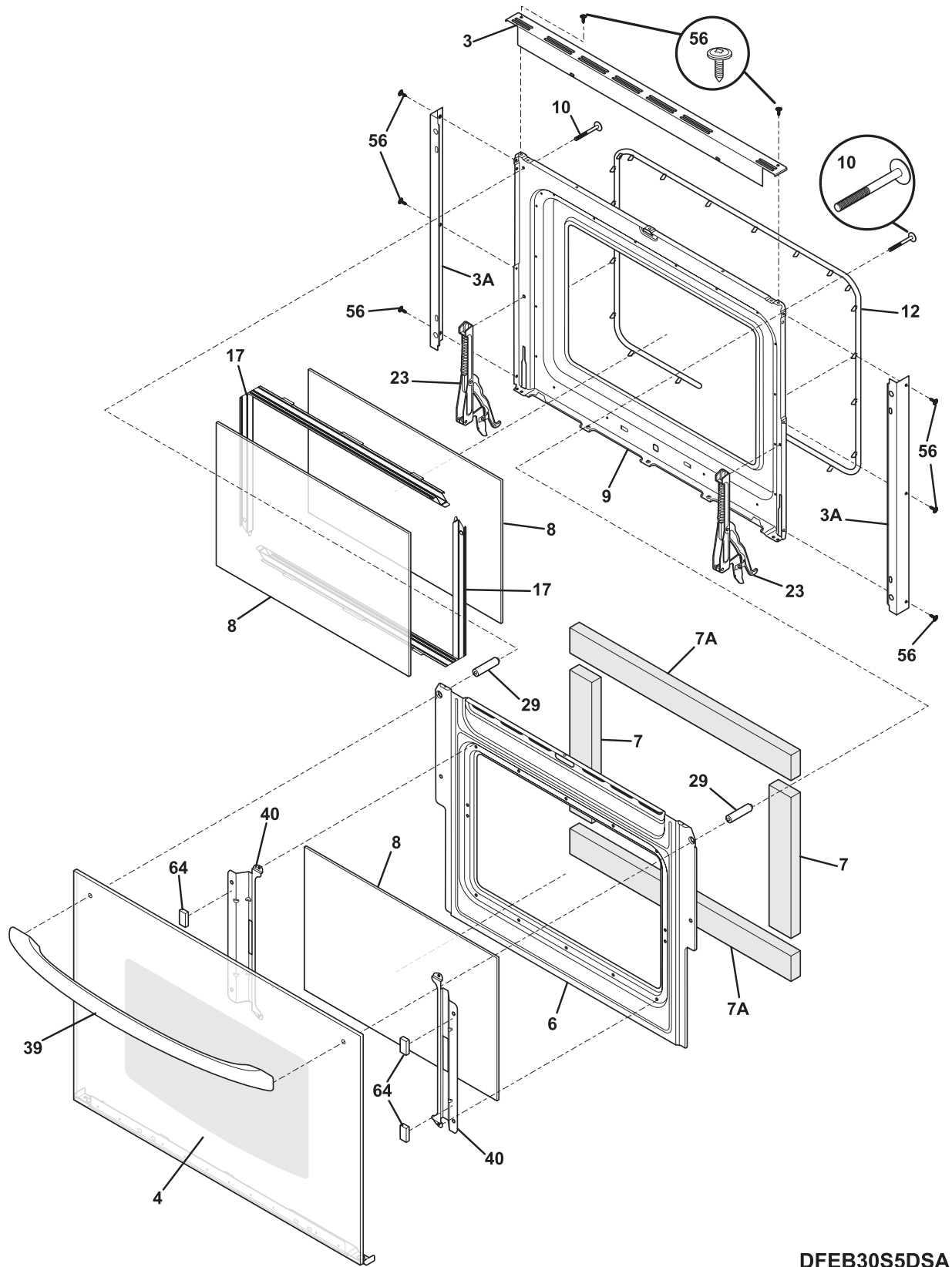
BFEB30S6DSA

BODY

Model Index: A FEB30S6D (FEB30S6DBD)
 B FEB30S6D (FEB30S6DQD)
 C FEB30S6D (FEB30S6DSD)

POS. NO	PART NO.		DESCRIPTION
108A	318251300	A B C	Bracket, fan support
109	316136400	A B C	Blade, fan
111	316136600	A B C	Nut, fan retainer
112#	318112701	A B C	Relay
119#	318004900	A B C	Switch, thermal
125#	316415800	A B C	Motor, fan
126	3016303	A B C	Clip, insulator
127	318317100	A B C	Adapter Assembly, vent tube, w/converter
131	318272900	A B C	Box, vent
* #	318078542	A B C	Box & wires assy
*	318231736	A B C	Harness, wiring, main
132	318003000	A B C	Plate, shield
142	318123910	A B C	Deflector
143	318172904	A B C	Support, wire
163	318014111	A B C	Spacer
185	318014700	A B C	Spacer, oven shield, (4)
219#	318003614	A B C	Thermostat, safety
219A	318003613	A B C	Thermostat, safety
263	316136500	A B C	Washer, flat
264	318257701	A B C	Trim, oven, black, front
272	318249401	A B C	Tube, protector
310	5304440067	A B C	Cabinet Mounting Kit
311	318246010	A B C	Bracket, cabinet mtg, (2)
311*	5304438005	A B C	Screw, 6 x 1, black
312	318246702	A B C	Tool, cabinet bracket, RH
312	318246703	A B C	Tool, cabinet bracket, LH
*	3201861	A B C	Screw, 6 x 0.375, (4)
*	08016432	A B C	Screw, truss head, 8-18 x 0.375
*	5303211311	A B C	Screw, 8 x 0.500
*	5303323136	A B C	Screw ground
*	5303323277	A B C	Screw, 8-18 X 13/32
*	5303324184	A B C	Screw, 8-18 x 5/16, black, (4)
*	5304436875	A B C	Screw, 8-18 X 1/2, black

DOOR



DFEB30S5DSA

DOOR

Model Index: A FEB30S6D (FEB30S6DBD)
 B FEB30S6D (FEB30S6DQD)
 C FEB30S6D (FEB30S6DSD)

POS. NO	PART NO.		DESCRIPTION
3	318260201	A B C	Trim, oven door, black, upper
3A	318260401	A B C	Trim, oven door, side, (2)
4	318261300	A - -	Glass Assy., oven door, black, outer, w/trim
4	318261302	- B -	Glass Assy., oven door, bisque, outer, w/trim
4	318261301	- - C	Glass Assy., oven door, white, outer, w/trim
6	318260500	A B C	Baffle, door
7	318285057	A B C	Insulation, oven door
7A	318285062	A B C	Insulation, oven door
8	316117500	A B C	Glass, oven door, heat barrier
9	318259601	A B C	Liner, oven door
10	5304453223	A B C	Screw, handle mtg, 10-14 x 1.82, (2)
12	318053120	A B C	Seal, door, upper oven
17	316402403	A B C	Spacer, door glass, (2)
23	5303310828	A B C	Hinge, oven door, (2)
29	318014402	A B C	Spacer, door
39	316270200	A - -	Handle, door, black
39	316270202	- B -	Handle, door, bisque
39	316270201	- - C	Handle, door, white
40	318242700	A B C	Bracket, glass holder, (2)
56	5304436875	A B C	Screw, 8-18 X 1/2, black
64	318165800	A B C	Spacer, (2)
*	08016432	A B C	Screw, truss head, 8-18 x 0.375
*	5303211311	A B C	Screw, 8 x 0.500
*	5303300265	A B C	Screw, 8-18 X 1/2, (2)
*	5303323277	A B C	Screw, 8-18 X 13/32

WIRING DIAGRAM

