



Warmer Drawer

FGWD3065PF

30" Electric



Product Dimensions

Height	11-1/4"
Width	30"
Depth	23-3/8"
Depth with Drawer Fully Extended	42"

Available in:



Stainless
(F)

Signature Features



Large Capacity

Large enough to keep several dishes warm until dinner is ready.



Adjustable Humidity Control

Keep food moist and delicious until it's time to eat.



Express-Select® Controls

Easily set temperature or choose bread proof option.

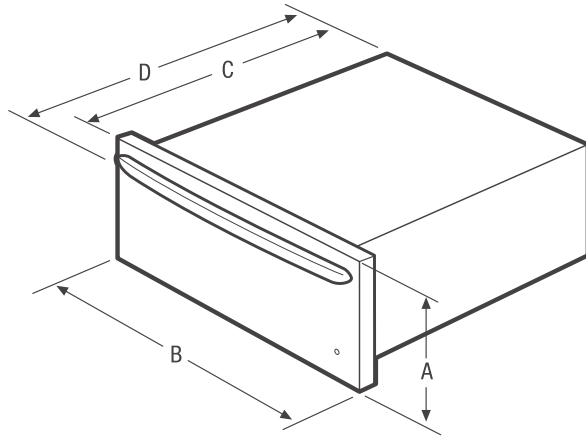


Indicator Light

Signals when the warmer drawer is on.

Features	
Capacity (Cu. Ft.)	1.6
Oven Control / Timing System	Express-Select*
Exterior Drawer Finish	Smudge-Proof™ Stainless Steel
Handle Design	Stainless Steel
4-Hour Auto Power Off	Yes
SpaceWise® Half Rack	Yes
Fully Extendable Drawer	Yes
Humidity Control	Yes
Bread Proofing	Yes
Power Indicator Light	Yes
Bake Element (Watts)	450
Temperature Range	80°F - 210°F
Certifications	
Sabbath Mode (Star-K® Certified)	
Specifications	
Drawer Interior (H x W x D)	5-1/4" x 20-1/4" x 17"
Power Supply Connection Location	Right Bottom Rear
Voltage Rating	120V / 60 Hz /15A
Connected Load (kW Rating) @ 120 Volts ¹	0.5
Amps @ 120 Volts	3.8
Minimum Circuit Required (Amps)	15
Approved for Under-Counter Installation	Yes
Shipping Weight (Approx.)	60 Lbs.

¹For use on adequately wired 120V, dedicated circuit having 2-wire service with a separate ground wire. Appliance must be grounded for safe operation.



NOTE: For planning purposes only. Always consult local and national electric codes. Refer to Product Installation Guide for detailed installation instructions on the web at frigidaire.ca.



Product Dimensions	
A - Height	11-1/4"
B - Width	30"
C - Depth	23-5/8"
D - Depth with Drawer Fully Extended	42"

Cutout Dimensions -	
Height (Min./Max.)	9-7/8" / 10-1/4"
Width (Min./Max.)	28-1/2" / 28-3/4"
Depth (Min./Max.)	23-5/8" / 24"

Accessories information available on the web at frigidaire.ca