

*Frigidaire*

Factory Parts Catalog

Product No.	GLEB27T9FBA	GLEB27T9FQA	GLEB27T9FSA
	37056761G6061	37056761G6041	37056761G6011
Series	27" double	27" double	27" double
Color	black	bisque	white
Market	North America	North America	North America
Wiring Diagram	318046121	318046121	318046121
Owner's Guide	318200924	318200924	318200924
Installation Instructions	318201514	318201514	318201514
Service Data Sheet	318047306	318047306	318047306
Timer Guide	318200135	318200135	318200135



Electrolux Major Appliances  
 North & Latin America  
 P.O. BOX 212378  
 AUGUSTA, GA 30917

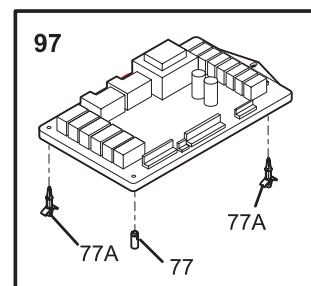
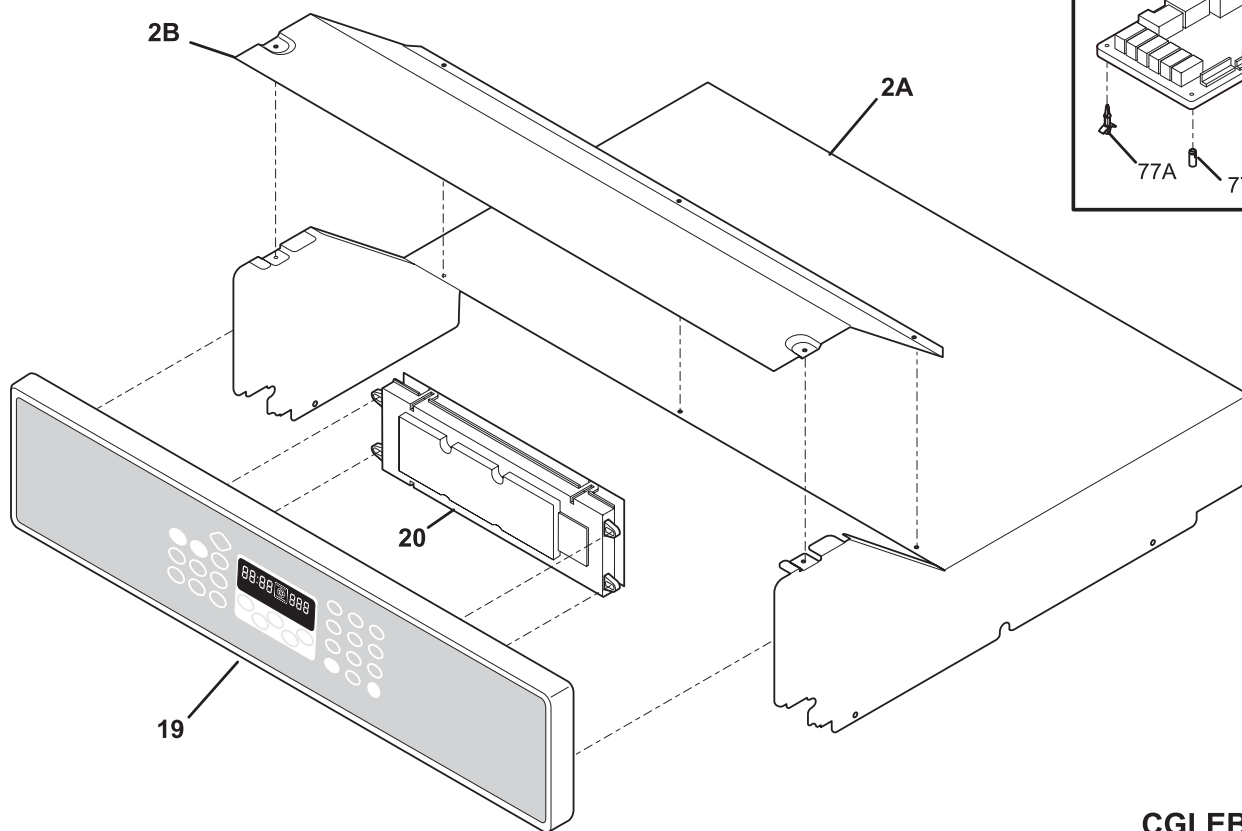
Publication No.  
**5995471124**  
 06/07/28  
 (EN/SERVICE/ECL)  
 377

**DOUBLE ELECTRIC  
 WALL OVEN**

Model No.  
**GLEB27T9F**

Copyright © 2006 Electrolux Home Products, Inc.  
 All rights reserved.

### CONTROL PANEL



**CGLEB27T9FSA**

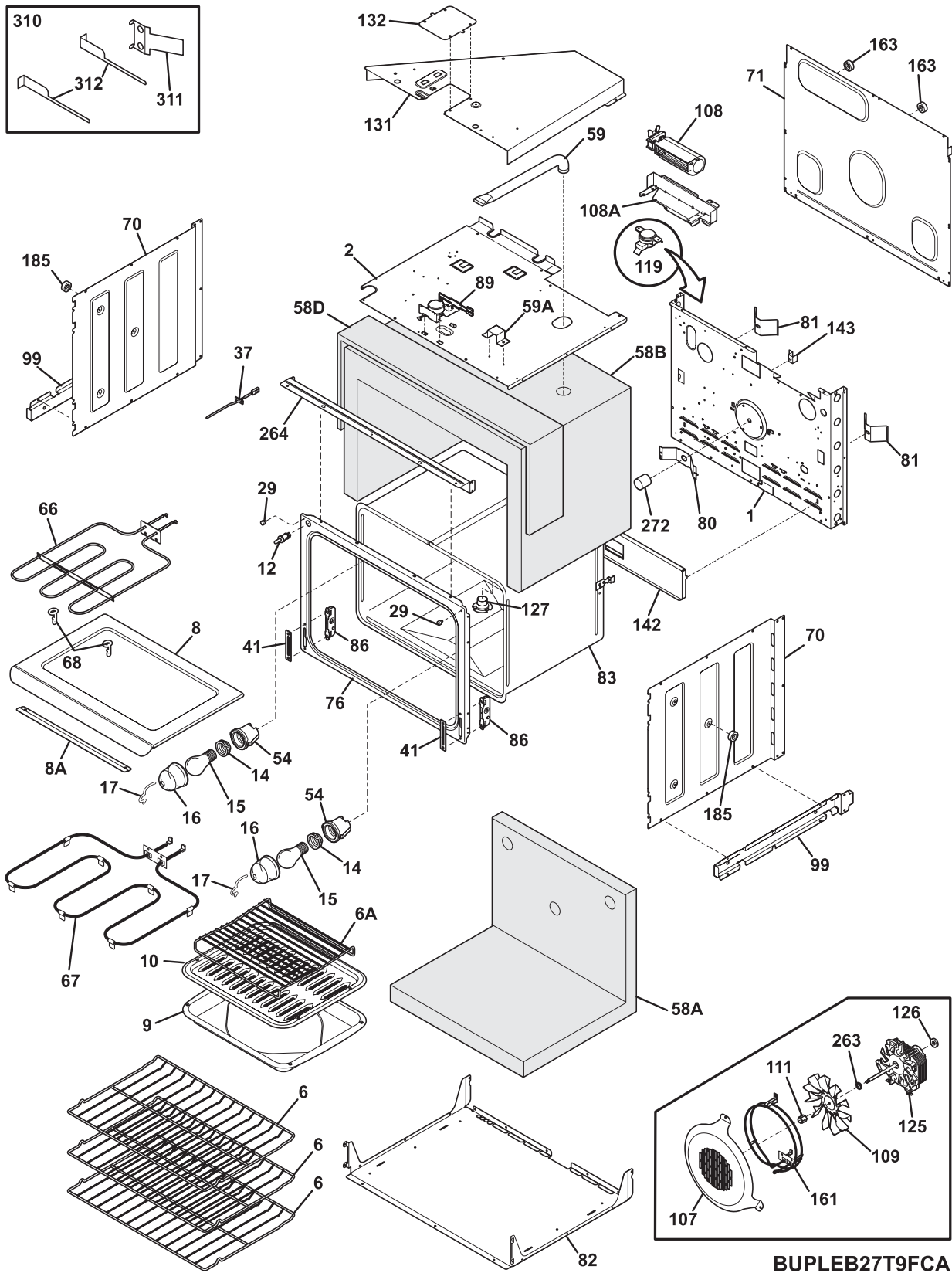
## CONTROL PANEL

---

*Model Index:*   **A** GLEB27T9F (GLEB27T9FSA)  
                           **B** GLEB27T9F (GLEB27T9FBA)  
                           **C** GLEB27T9F (GLEB27T9FOA)

POS. NO	PART NO.		DESCRIPTION
2A	318257301	A B C	Shield, oven top
2B	318260101	A B C	Cover, box
19	318342805	A - -	Control Panel Assembly, glass, white, w/touch pad
19	318342807	- B -	Control Panel Assembly, glass, black, w/touch pad
19	318342806	- - C	Control Panel Assembly, glass, bisque, w/touch pad
20 #	316443802	A B C	Control, electronic, ES610W3, dual oven
77	316247900	A B C	Spacer, power board, (2)
77A	316114100	A B C	Spacer, (2)
97	316443901	A B C	Board, relay, dual oven
*	318231751	A B C	Harness, wiring, control-relay
*	5303211311	A B C	Screw, 8 x 0.500

UPPER OVEN



BUPLEB27T9FCA

---

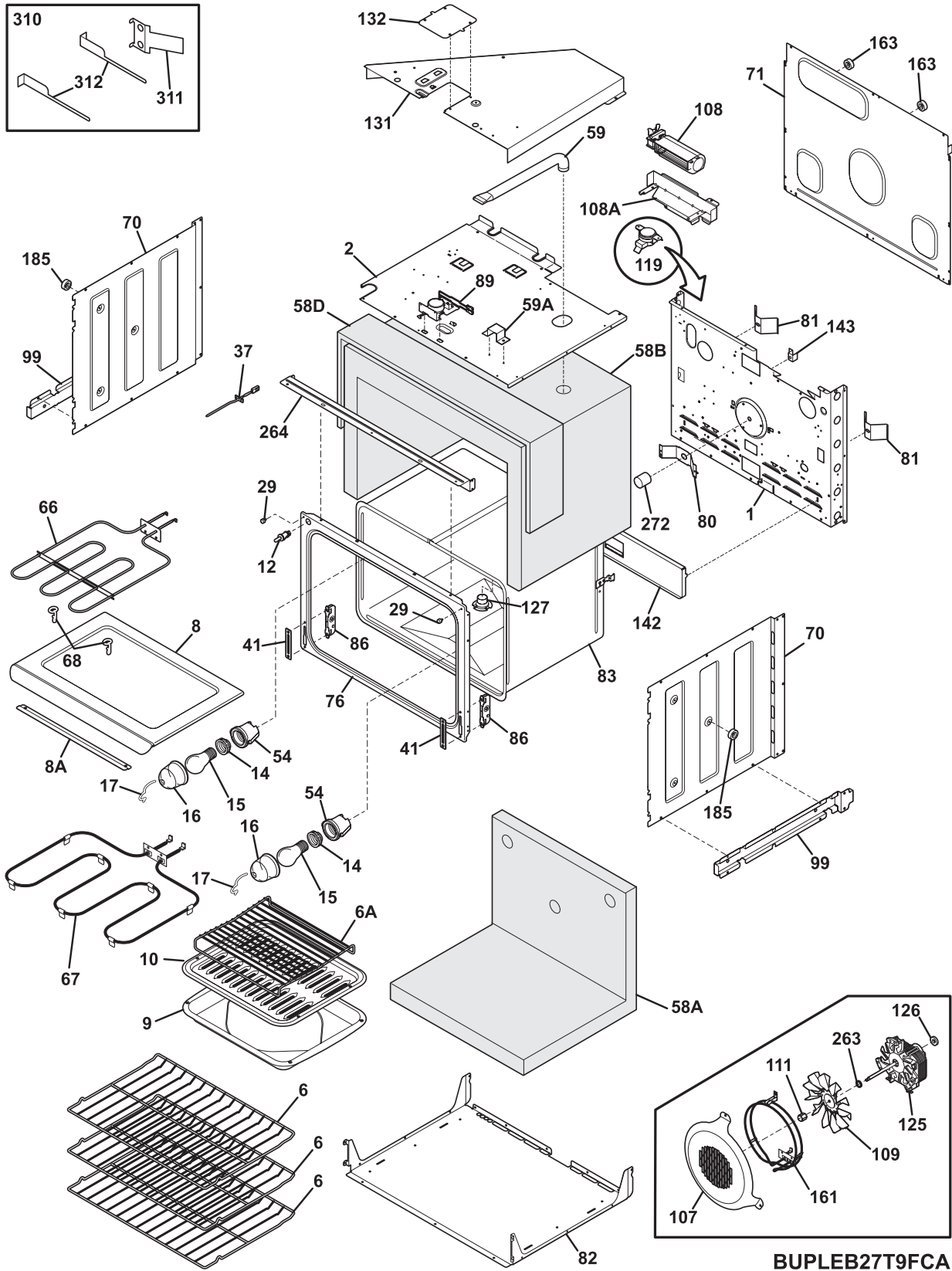
**UPPER OVEN**


---

*Model Index:* A GLEB27T9F (GLEB27T9FSA)  
 B GLEB27T9F (GLEB27T9FBA)  
 C GLEB27T9F (GLEB27T9FOA)

POS. NO	PART NO.		DESCRIPTION
1	318259212	A B C	Back, main
2	318258910	A B C	Shield, insulation, upper
6	318345210	A B C	Rack, oven, (3)
6A	318219500	A B C	Rack, broiler pan
8	318262011	A B C	Cover, element
8A	318318600	A B C	Bracket, element, hidden bake
9	5303317977	A B C	Pan, broiler
10	5303317976	A B C	Insert, broiler pan
12 #	318089917	A B C	Switch, light
14	318224000	A B C	Receptacle, oven light
14*	318268099	A B C	Insulation, oven light
15	5303013071	A B C	Bulb/Lamp, light
16	08011086	A B C	Lens, oven light, glass
17	5304400195	A B C	Retainer, light cover
29	318147411	A B C	Bumper, (2)
37 #	316217002	A B C	Probe, oven temp
41	5303310526	A B C	Cover, hinge cutout
54	318222400	A B C	Housing, oven light
58A	318285060	A B C	Insulation, rear & bottom, oven wrapper
58B	318285059	A B C	Insulation, top & sides, oven wrapper
58D	318285058	A B C	Insulation, 1/2" thick, 43 x 9.5
59	318072560	A B C	Duct, oven vent
59A	318261600	A B C	Bracket, vent tube
66 #	318255601	A B C	Element, broil, 3400W
67	318254902	A B C	Element, bake, 2700W, 6 pass
68	5304403015	A B C	Support, hanger, (2), broil element
70	318259100	A B C	Shield, insulation, sides, (2)
71	318260001	A B C	Panel, rear box
71*	318340200	A B C	Bracket, insul. panel
76	318056222	A B C	Front, oven
80	5303320846	A B C	Plate, oven mtg
81	318192400	A B C	Spring, oven
82	318258710	A B C	Shield, insulation, lower
83	318261500	A B C	Liner, oven assy
86	5303310524	A B C	Receptacle, hinge
89 #	318261211	A B C	Motor, latch assy
* #	318231750	A B C	Harness, wiring, main, latch
* #	318199744	A B C	Wiring Harness, latch, BAS
* #	318199746	A B C	Wiring Harness, latch, NO BAS
99	318252800	A B C	Support, side
*	5303300265	A B C	Screw, 8-18 X 1/2, (2)
107	318219401	A B C	Cover, fan
108#	318073018	A B C	Motor, blower
*	08016432	A B C	Screw, truss head, 8-18 x 0.375
108A	318251300	A B C	Bracket, fan support
109	316136400	A B C	Blade, fan
111	316136600	A B C	Nut, fan retainer
119#	318004900	A B C	Switch, thermal

UPPER OVEN



BUPLEB27T9FCA

---

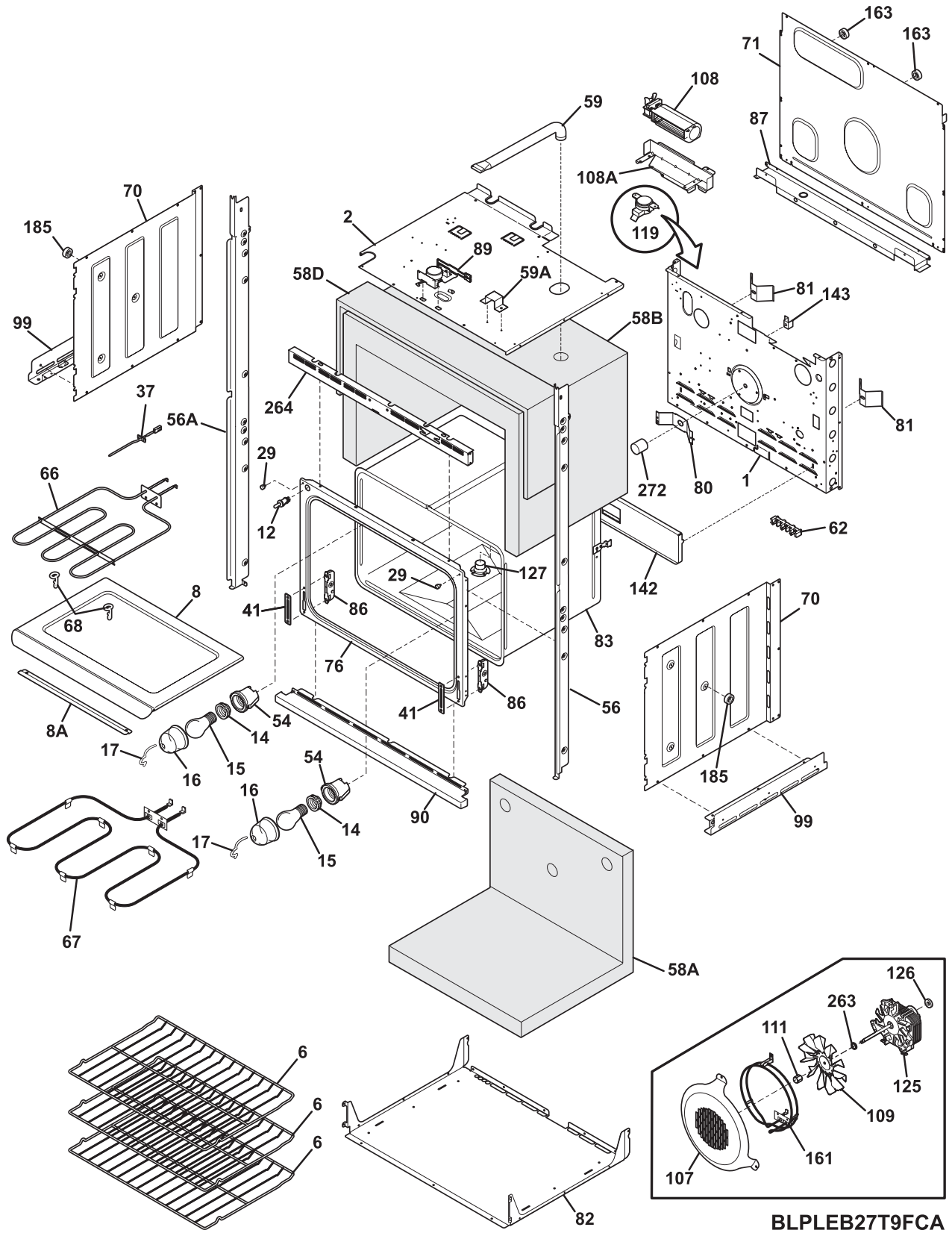
**UPPER OVEN**


---

*Model Index:* A GLEB27T9F (GLEB27T9FSA)  
 B GLEB27T9F (GLEB27T9FBA)  
 C GLEB27T9F (GLEB27T9FOA)

POS. NO	PART NO.		DESCRIPTION
125#	316415800	A B C	Motor, fan
125*	5303316994	A B C	Insulation, 3.81 x 3.13
126	318142100	A B C	Washer, motor, RH, convection
127	318317100	A B C	Adapter Assembly, vent tube, w/converter
131	318272900	A B C	Box, vent
132	318003000	A B C	Plate, shield
142	318123910	A B C	Deflector
143	318172904	A B C	Support, wire
161#	318255503	A B C	Element, convection, 350 W
163	318014111	A B C	Spacer
185	318014700	A B C	Spacer, oven shield, (4)
263	316136500	A B C	Washer, flat
264	318257711	A B C	Trim, oven, black, front
272	318249401	A B C	Tube, protector
310	5304440067	A B C	Cabinet Mounting Kit
311	318246010	A B C	Bracket, cabinet mtg, (2)
311*	5304438005	A B C	Screw, 6 x 1, black
312	318246702	A B C	Tool, cabinet bracket, RH
312	318246703	A B C	Tool, cabinet bracket, LH
*	318165800	A B C	Spacer
*	5303211311	A B C	Screw, 8 x 0.500
*	5303323277	A B C	Screw, 8-18 X 13/32
*	5304436875	A B C	Screw, 8-18 X 1/2, black

LOWER OVEN



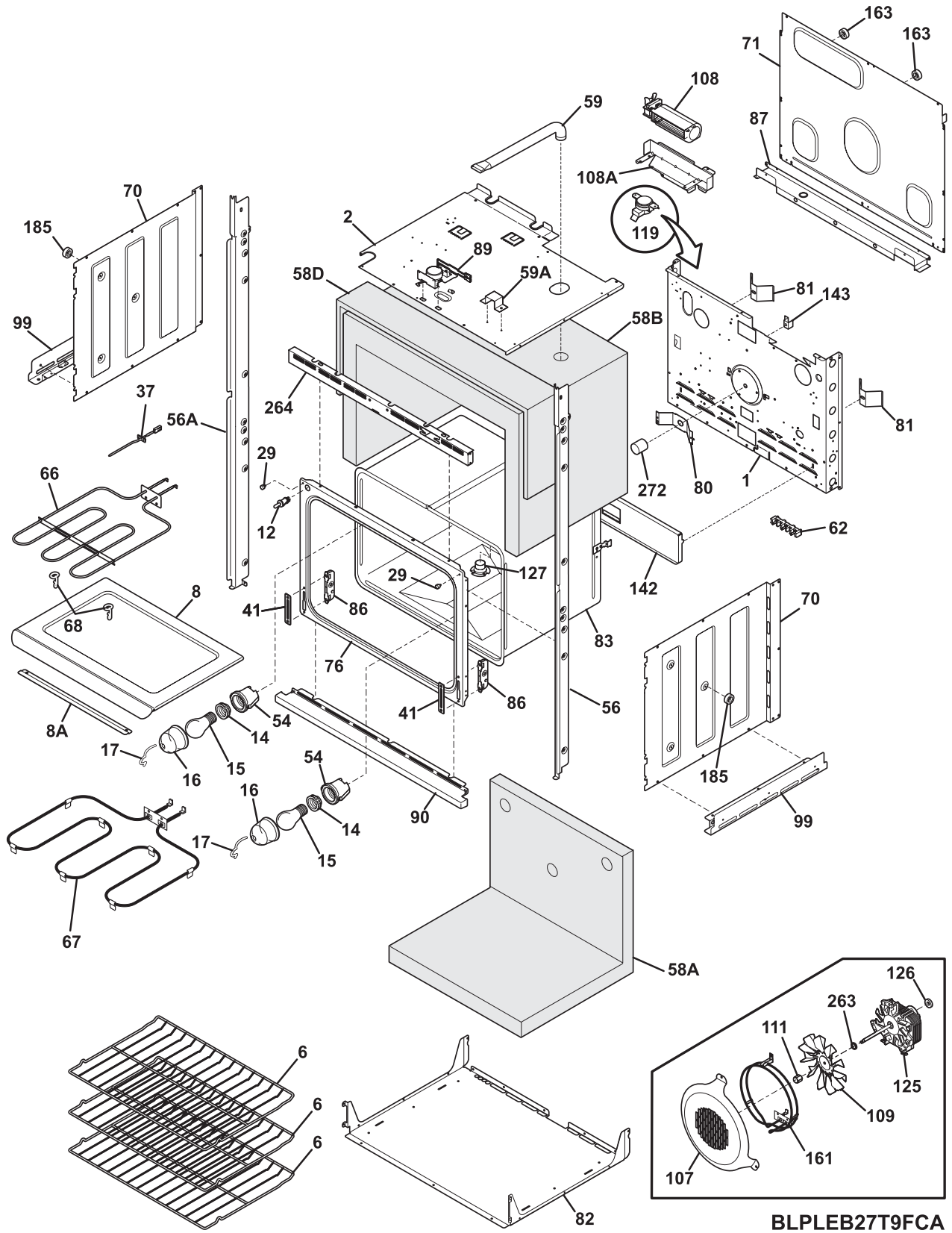


**LOWER OVEN**

*Model Index:* A GLEB27T9F (GLEB27T9FSA)  
 B GLEB27T9F (GLEB27T9FBA)  
 C GLEB27T9F (GLEB27T9FOA)

POS. NO	PART NO.		DESCRIPTION
1	318259212	A B C	Back, main
2	318258910	A B C	Shield, insulation, upper
6	318345210	A B C	Rack, oven, (3)
8	318262011	A B C	Cover, element
8A	318318600	A B C	Bracket, element, hidden bake
12 #	318089917	A B C	Switch, light
14	318224000	A B C	Receptacle, oven light
14*	318268099	A B C	Insulation, oven light
15	5303013071	A B C	Bulb/Lamp, light
16	08011086	A B C	Lens, oven light, glass
17	5304400195	A B C	Retainer, light cover
29	318147411	A B C	Bumper, (2)
37 #	316217002	A B C	Probe, oven temp
41	5303310526	A B C	Cover, hinge cutout
54	318222400	A B C	Housing, oven light
56	318259912	A - -	Trim, side filler, white, RH
56	318259914	- B -	Trim, side filler, black, RH
56	318259916	- - C	Trim, side filler, bisque, RH
56A	318259913	A - -	Trim, side filler, white, LH
56A	318259915	- B -	Trim, side filler, black, LH
56A	318259917	- - C	Trim, side filler, bisque, LH
58A	318285060	A B C	Insulation, rear & bottom, oven wrapper
58B	318285059	A B C	Insulation, top & sides, oven wrapper
58D	318285058	A B C	Insulation, 1/2" thick, 43 x 9.5
59	318072560	A B C	Duct, oven vent
59A	318261600	A B C	Bracket, vent tube
62	316056000	A B C	Terminal Block
62*	5303323139	A B C	Screw, 10-24 x 0.906
62*	5303323144	A B C	Nut, 10-32
66 #	318255601	A B C	Element, broil, 3400W
67	318254902	A B C	Element, bake, 2700W, 6 pass
68	5304403015	A B C	Support, hanger, (2), broil element
70	318259100	A B C	Shield, insulation, sides, (2)
71	318260001	A B C	Panel, rear box
71*	318340200	A B C	Bracket, insul. panel
76	318056222	A B C	Front, oven
80	5303320846	A B C	Plate, oven mtg
81	318192400	A B C	Spring, oven
82	318258710	A B C	Shield, insulation, lower
83	318261500	A B C	Liner, oven assy
86	5303310524	A B C	Receptacle, hinge
87	318260601	A B C	Bracket, cable mtg.
89 #	318261211	A B C	Motor, latch assy
* #	318231750	A B C	Harness, wiring, main, latch
* #	318199744	A B C	Wiring Harness, latch, BAS
* #	318199746	A B C	Wiring Harness, latch, NO BAS
90	318259710	A - -	Trim, oven front, white, bottom
90	318259711	- B -	Trim, oven front, black, bottom

LOWER OVEN



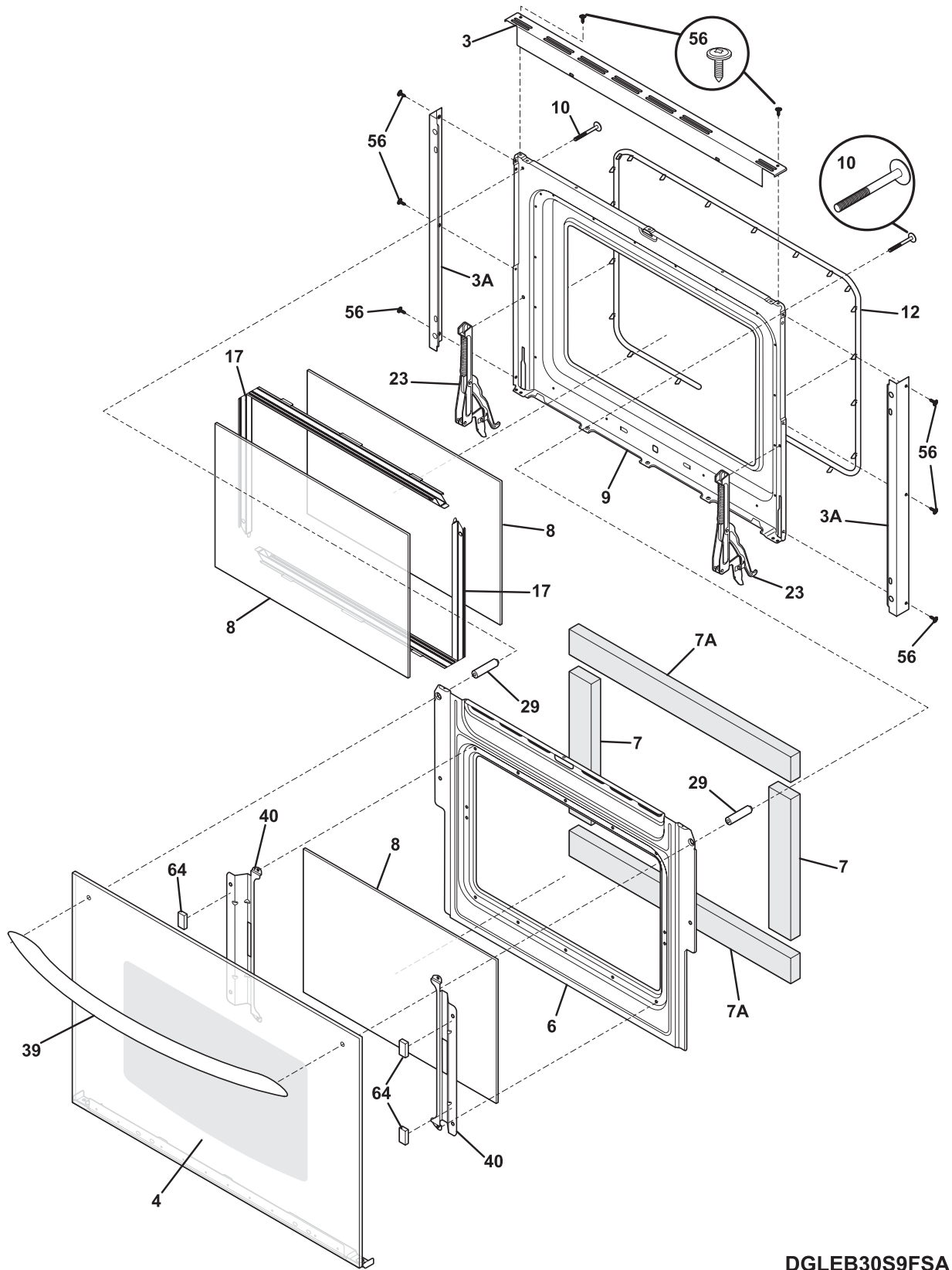
BLPLEB27T9FCA

**LOWER OVEN**

*Model Index:* A GLEB27T9F (GLEB27T9FSA)  
 B GLEB27T9F (GLEB27T9FBA)  
 C GLEB27T9F (GLEB27T9FOA)

POS. NO	PART NO.		DESCRIPTION
90	318259712	- - C	Trim, oven front, bisque, bottom
99	318256200	A B C	Bracket, side, bottom, (2)
107	318219401	A B C	Cover, fan
108#	318073018	A B C	Motor, blower
*	08016432	A B C	Screw, truss head, 8-18 x 0.375
108A	318251300	A B C	Bracket, fan support
109	316136400	A B C	Blade, fan
111	316136600	A B C	Nut, fan retainer
119#	318004900	A B C	Switch, thermal
125#	316415800	A B C	Motor, fan
125*	5303316994	A B C	Insulation, 3.81 x 3.13
126	318142100	A B C	Washer, motor, RH, convection
127	318317100	A B C	Adapter Assembly, vent tube, w/converter
142	318123910	A B C	Deflector
143	318172904	A B C	Support, wire
161#	318255503	A B C	Element, convection, 350 W
163	318014111	A B C	Spacer
185	318014700	A B C	Spacer, oven shield, (4)
263	316136500	A B C	Washer, flat
264	318257811	A B C	Trim, oven, black, front
272	318249401	A B C	Tube, protector
* #	318078543	A B C	Box & wires assy
*	318231748	A B C	Harness, wiring, main
*	318165800	A B C	Spacer
*	5303211311	A B C	Screw, 8 x 0.500
*	5303323277	A B C	Screw, 8-18 X 13/32
*	5304436875	A B C	Screw, 8-18 X 1/2, black

DOORS



DGLEB30S9FSA

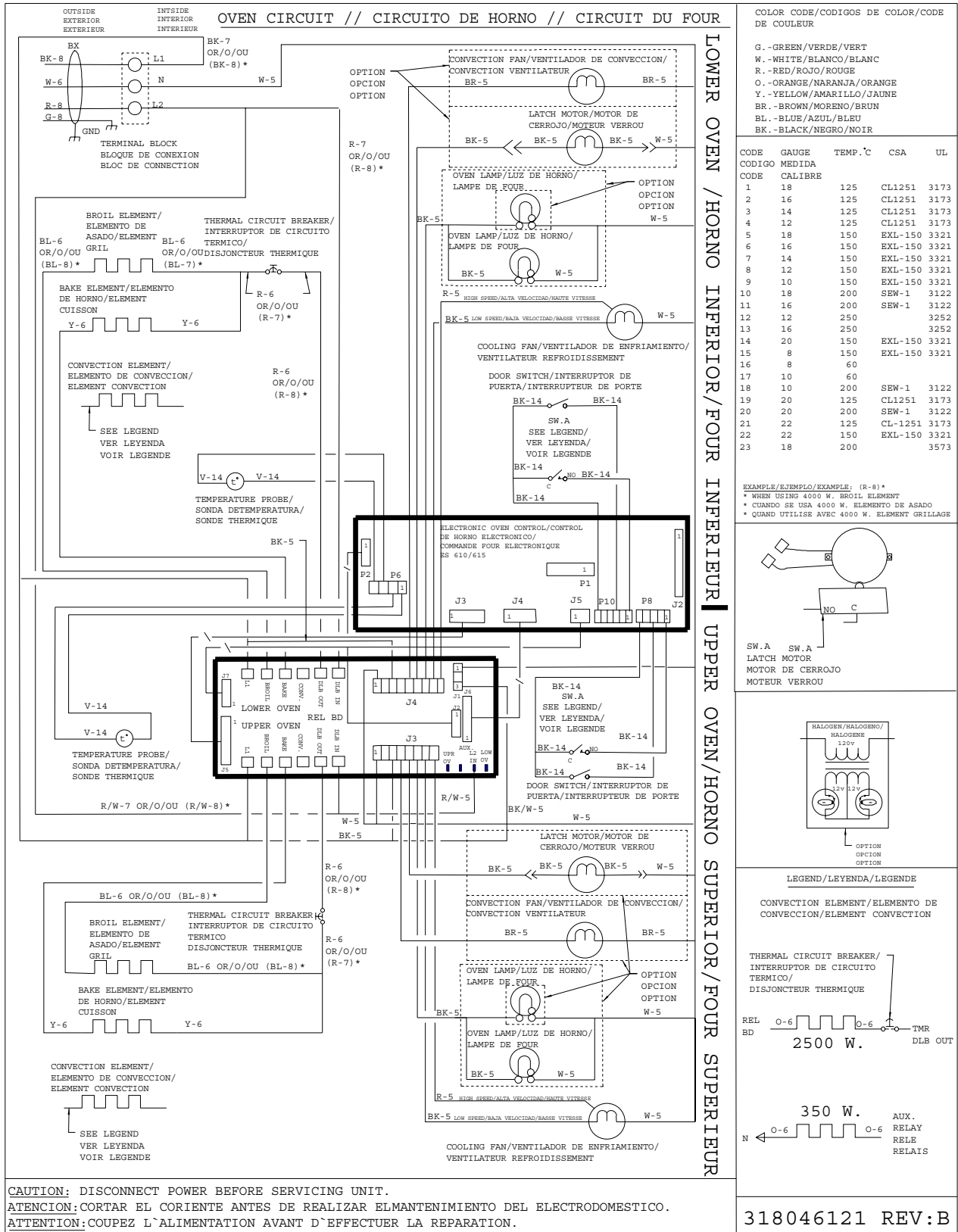
## DOORS

---

*Model Index:*    A GLEB27T9F (GLEB27T9FSA)  
                           B GLEB27T9F (GLEB27T9FBA)  
                           C GLEB27T9F (GLEB27T9FOA)

POS. NO	PART NO.		DESCRIPTION
3	318260211	A B C	Trim, oven door, black, upper
3A	318260401	A B C	Trim, oven door, side, (2)
4	318261351	A - -	Glass Assy., oven door, white, outer, w/trim
4	318261350	- B -	Glass Assy., oven door, black, outer, w/trim
4	318261352	- - C	Glass Assy., oven door, bisque, outer, w/trim
6	318260510	A B C	Baffle, door
7	318285057	A B C	Insulation, oven door
7A	318285061	A B C	Insulation, (2)
8	318212200	A B C	Glass, oven door, heat barrier
9	318259611	A B C	Liner, oven door, upper
10	316001002	A B C	Screw, wafer head, 10-24 x 1.81, (2), handle mtg.
12	318053135	A B C	Seal, oven door
17	318264700	A B C	Spacer, glass, (2)
23	318024724	A B C	Hinge, door, (2)
29	318014402	A B C	Spacer, door
39	5304457046	A - -	Handle, door, white, w/spacer
39	5304457045	- B -	Handle, door, black, w/spacer
39	5304457047	- - C	Handle, door, bisque, w/spacer
40	318242700	A B C	Bracket, glass holder, (2)
56	5304436875	A B C	Screw, 8-18 X 1/2, black
64	318165800	A B C	Spacer
*	08016432	A B C	Screw, truss head, 8-18 x 0.375
*	5303211311	A B C	Screw, 8 x 0.500
*	5303300265	A B C	Screw, 8-18 X 1/2, (2)
*	5303323277	A B C	Screw, 8-18 X 13/32

WIRING DIAGRAM

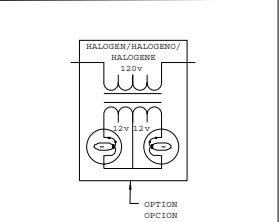
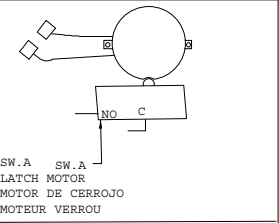


COLOR CODE/CODIGOS DE COLOR/CODE DE COULEUR

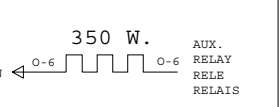
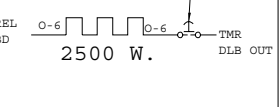
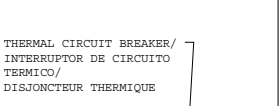
G. - GREEN / VERDE / VERT  
 W. - WHITE / BLANCO / BLANC  
 R. - RED / ROJO / ROUGE  
 O. - ORANGE / NARANJA / ORANGE  
 Y. - YELLOW / AMARILLO / JAUNE  
 BR. - BROWN / MORENO / BRUN  
 BL. - BLUE / AZUL / BLEU  
 BK. - BLACK / NEGRO / NOIR

CODE	GAUGE	TEMP. °C	CSA	UL
CODIGO	MEDIDA			
CODE	CALIBRE			
1	18	125	CL1251	3173
2	16	125	CL1251	3173
3	14	125	CL1251	3173
4	12	125	CL1251	3173
5	18	150	EXL-150	3321
6	16	150	EXL-150	3321
7	14	150	EXL-150	3321
8	12	150	EXL-150	3321
9	10	150	EXL-150	3321
10	18	200	SEW-1	3122
11	16	200	SEW-1	3122
12	12	250		3252
13	16	250		3252
14	20	150	EXL-150	3321
15	8	150	EXL-150	3321
16	8	60		
17	10	60		
18	10	200	SEW-1	3122
19	20	125	CL1251	3173
20	20	200	SEW-1	3122
21	22	125	CL-1251	3173
22	22	150	EXL-150	3321
23	18	200		3573

EXAMPLE/EJEMPLO/EXAMPLE: (R-8)\*  
 \* WHEN USING 4000 W. BROIL ELEMENT  
 \* CUANDO SE USA 4000 W. ELEMENTO DE ASADO  
 \* QUAND UTILISE AVEC 4000 W. ELEMENT GRILLAGE



LEGEND/LEYENDA/LEGENDE  
 CONVECTION ELEMENT/ELEMENTO DE CONVECCION/ELEMENT CONVECTION



318046121 REV: B