

ELECTRIC WALL OVEN INSTALLATION INSTRUCTIONS

(and Optional Electric or Gas Cooktop Combination)

**INSTALLATION AND SERVICE MUST BE PERFORMED BY A QUALIFIED INSTALLER.
IMPORTANT: SAVE FOR LOCAL ELECTRICAL INSPECTOR'S USE.
READ AND SAVE THESE INSTRUCTIONS FOR FUTURE REFERENCE.**

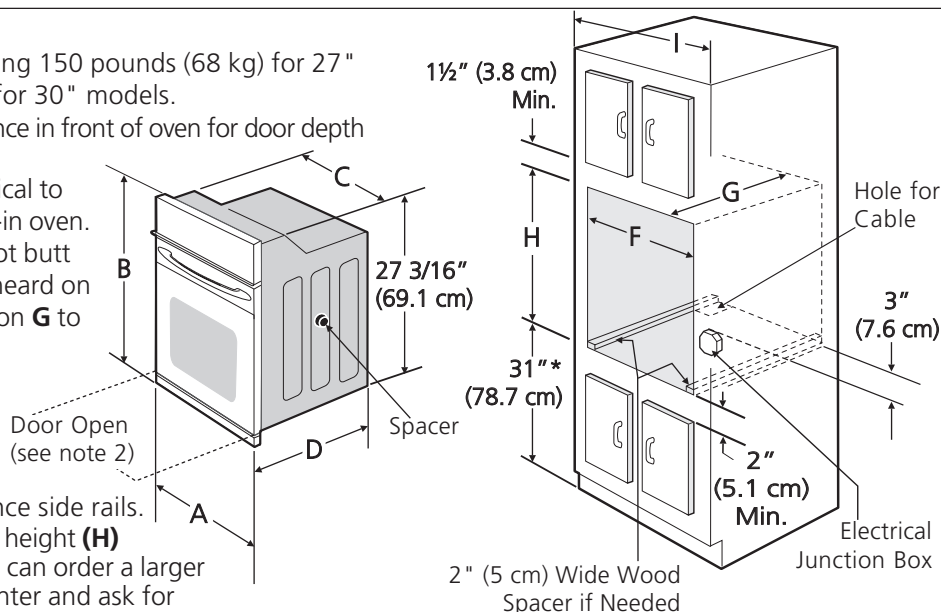
⚠ WARNING FOR YOUR SAFETY: Do not store or use gasoline or other flammable vapors and liquids in the vicinity of this or any other appliance.

Your new wall oven has been designed to fit a limited variety of cutout sizes to make the job of installing easier. The first step of your installation should be to measure your current cutout dimensions and compare them to the cutout dimensions chart below for your model. You may find little or no cabinet work being necessary.

⚠ WARNING Do not remove spacers (if equipped) on the side walls and/or on the back of the built-in oven. These spacers center the oven in the space provided. The oven must be centered to prevent excess heat buildup that may result in heat damage or fire.

NOTES:

1. Base must be capable of supporting 150 pounds (68 kg) for 27" models and 200 pounds (90 kg) for 30" models.
2. Allow at least 21" (53.3 cm) clearance in front of oven for door depth when it is open.
3. Dimension **G** (cutout depth) is critical to the proper installation of the built-in oven. If the oven decorative trim does not butt against the cabinet, or if noise is heard on convection models, verify dimension **G** to assure it is the required depth.
4. For a cutout height greater than **28¹/₈" (71.4 cm)** add one 2" (5 cm) wide wood shim of appropriate height to each side of the opening under the appliance side rails.
5. **30" MODELS ONLY:** For a cutout height (**H**) greater than **28⁵/₈" (72.7 cm)** you can order a larger inferior trim, contact a Service Center and ask for part #318259703 (for white models), 318259704 (black models), 318259705 (bisque models) or 318259707 (stainless steel models).



* Suggested distance from floor is 31" (78.7 cm).
Minimum required distance is 4 1/2" (11.4 cm).

Figure 1
27" and 30" Single Wall Ovens (Double ovens see Figure 2)

PRODUCT DIMENSIONS						
MODEL	A	B	C	D		
27" (68.6 cm) Wall Oven	27 (68.6)	29 (73.7)	24 ⁵ / ₈ (62.5)	24 ¹ / ₂ (62.2)		
30" (76.2 cm) Wall Oven	30 (76.2)	29 (73.7)	28 ¹ / ₄ (71.8)	24 ¹ / ₂ (62.2)		
CUTOUT DIMENSIONS AND CABINET WIDTH						
MODEL	Min. F	Max. F	G (Min.)	Min. H	Max. H	I
27" (68.6 cm) Wall Oven	24 ⁷ / ₈ (63.2)	25 ¹ / ₄ (64.1)	23 ¹ / ₂ (59.7)	27 ¹ / ₄ (69.2)	28 ⁵ / ₈ (72.7)	27 ¹ / ₈ (68.9) Min
30" (76.2 cm) Wall Oven	28 ¹ / ₂ (72.4)	29 (73.7)	23 ¹ / ₂ (59.7)	27 ¹ / ₄ (69.2)	28 ⁵ / ₈ (72.7)	30 ¹ / ₈ (76.5) Min

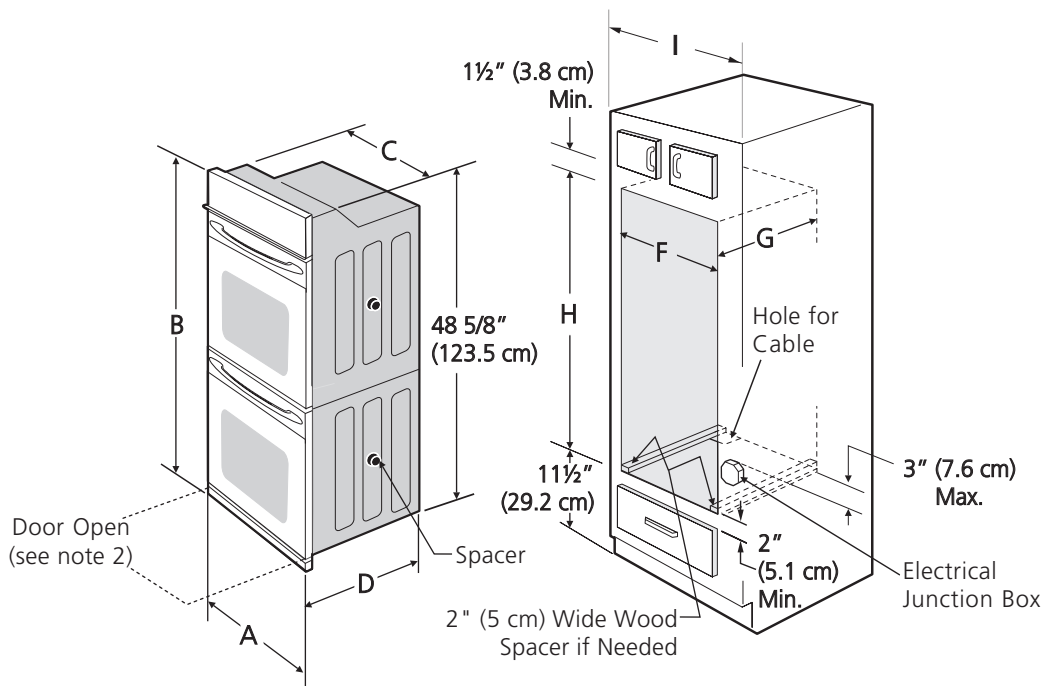
All dimensions are in inches (cm).
Printed in United States

P/N 318201514 (0502) Rev. E
English – pages 1-9
Español – páginas 10-18
Français – pages 19-28

ELECTRIC WALL OVEN INSTALLATION INSTRUCTIONS

(and Optional Electric or Gas Cooktop Combination)

⚠ WARNING Do not remove spacers (if equipped) on the side walls and/or on the back of the built-in oven. These spacers center the oven in the space provided. The oven must be centered to prevent excess heat buildup that may result in heat damage or fire.



NOTES:

1. Base must be capable of supporting 300 pounds (136 kg) for 27" models and 375 pounds (170 kg) for 30" models.
2. Allow at least 21" (53.3 cm) clearance in front of oven for door depth when it is open.
3. Dimension **G** (cutout depth) is critical to the proper installation of the built-in oven. If the oven decorative trim does not butt against the cabinet, or if noise is heard on convection models, verify dimension **G** to assure it is according to the required dimension.
4. For a cutout height greater than **49 1/2" (125.7 cm)** add a 2" (5 cm) wide wood shim of appropriate height to each side of the opening under the appliance side rails.
5. **30" MODELS ONLY:** For a cutout height (**H**) greater than **49 7/8" (126.7 cm)** you can order a larger inferior trim through a Service Center.

Figure 2
27" AND 30" DOUBLE OVENS (Single Ovens see Figure 1)

PRODUCT DIMENSIONS							
MODEL	A		B		C		D
27" (68.6 cm) Wall Oven	27 (68.6)		50 ⁷ / ₁₆ (128.1)		24 ⁵ / ₈ (62.5)		24 ¹ / ₂ (62.2)
30" (76.2 cm) Wall Oven	30 (76.2)		50 ⁷ / ₁₆ (128.1)		28 ¹ / ₄ (71.8)		24 ¹ / ₂ (62.2)
CUTOUT DIMENSIONS AND CABINET WIDTH							
MODEL	Min. F Max.		G (Min.)		Min. H Max.		I
27" (68.6 cm) Wall Oven	24 ⁷ / ₈ (63.2) 25 ¹ / ₄ (64.1)		23 ¹ / ₂ (59.7)		48 ⁷ / ₈ (124.1) 49 ⁷ / ₈ (126.7)		27 ¹ / ₈ (68.9) Min
30" (76.2 cm) Wall Oven	28 ¹ / ₂ (72.4) 29 (73.7)		23 ¹ / ₂ (59.7)		48 ⁷ / ₈ (124.1) 49 ⁷ / ₈ (126.7)		30 ¹ / ₈ (76.5) Min

All dimensions are in inches (cm).

ELECTRIC WALL OVEN INSTALLATION INSTRUCTIONS

(and Optional Electric or Gas Cooktop Combination)

Important Notes to the Installer

1. Read all instructions contained in these installation instructions before installing the wall oven.
2. Remove all packing material from the oven compartments before connecting the electrical supply to the wall oven.
3. Observe all governing codes and ordinances.
4. Be sure to leave these instructions with the consumer.
5. Oven door may be removed to facilitate installation.
6. **THESE OVENS ARE NOT APPROVED FOR STACKABLE OR SIDE-BY-SIDE INSTALLATION.**

Important Note to the Consumer

Keep these instructions with your Owner's Guide for future reference.

IMPORTANT SAFETY INSTRUCTIONS

- **Be sure your wall oven is installed and grounded properly by a qualified installer or service technician.**
- **This wall oven must be electrically grounded in accordance with local codes or, in their absence, with the National Electrical Code ANSI/NFPA No.70- latest edition in United States, or with CSA Standard C22.1, Canadian Electrical Code, Part 1, in Canada.**

⚠ WARNING Stepping, leaning or sitting on the door of this wall oven can result in serious injuries and can also cause damage to the wall oven.

- **Never use your wall oven for warming or heating the room.** Prolonged use of the wall oven without adequate ventilation can be dangerous.

⚠ WARNING The electrical power to the oven must be shut off while line connections are being made. Failure to do so could result in serious injury or death.

1. Carpentry

Refer to figure 1 or 2 for the dimensions applicable to your appliance, and the space necessary to receive the oven. The oven support surface may be solid plywood or similar material, however the surface must be level from side to side and from front to rear.

2. Electrical Requirements

This appliance must be supplied with the proper voltage and frequency, and connected to an individual, properly grounded branch circuit, protected by a circuit breaker or fuse, having amperage as noted on the rating plate (the rating plate is located on the side trim).

Observe all governing codes and local ordinances

1. A 3-wire or 4-wire single phase 120/240 or 120/208 Volt, 60 Hz AC only electrical supply is required on a separate circuit fused on both sides of the line (time-delay fuse or circuit breaker is recommended). DO NOT fuse neutral. The fuse size must not exceed the circuit rating of the appliance specified on the nameplate. Only certain cooktop models may be installed over certain built-in electric oven models. Approved cooktops and built-in ovens are listed by the MFG ID number (see the insert sheet included in the literature package).
2. The single wall oven can consume up to 4000W at 240Vac; use a circuit breaker of 30 Amp with wire gauge #8 AWG. The double wall oven can consume up to 8000W at 240Vac; use a circuit breaker of 40 Amp with wire gauge #8 AWG.

NOTE: Wire sizes and connections must conform with the fuse size and rating of the appliance in accordance with the American National Electrical Code ANSI/NFPA No. 70-latest edition, or with Canadian CSA Standard C22.1, Canadian Electrical Code, Part 1, and local codes and ordinances.

⚠ WARNING An extension cord should not be used with this appliance. Such use may result in a fire, electrical shock, or other personal injury. If you need a longer power cord you can order for purchase a 10' (3m) power cord kit #903056-9010 by calling the Service Center.

3. These appliances should be connected to the fused disconnect (or circuit breaker) box through flexible armored or nonmetallic sheathed cable. The flexible armored cable extending from the appliance should be connected directly to the junction box. The junction box should be located as shown in Figure 1 or Figure 2 and with as much slack as possible remaining in the cable between the box and the appliance, so it can be moved if servicing is ever necessary.
4. A suitable strain relief must be provided to attach the flexible armored cable to the junction box.

ELECTRIC WALL OVEN INSTALLATION INSTRUCTIONS

(and Optional Electric or Gas Cooktop Combination)

! WARNING

Electrical Shock Hazard

- **Electrical ground is required on this appliance.**
- **Do not connect to the electrical supply until appliance is permanently grounded.**
- **Disconnect power to the junction box before making the electrical connection.**
- **This appliance must be connected to a grounded, metallic, permanent wiring system, or a grounding connector should be connected to the grounding terminal or wire lead on the appliance.**
- **Do not use a gas supply line for grounding the appliance.**

Failure to do any of the above could result in a fire, personal injury or electrical shock.

! CAUTION In cold weather shipping and storage conditions, make sure that oven is in final location at least three (3) hours before switching on power. Switching on power while oven is still cold may damage the oven controls.

3. Adjusting Oven Height

Oven height can be adjusted with 2" (5 cm) wide wood shims when needed to fit into an existing cabinet cutout opening, when cutout height exceeds **28¹/₈" (71.4 cm)** for the single wall oven or **49¹/₂" (125.7 cm)** for the double wall oven (see Figure 1 or 2). Place shims of appropriate height beneath the oven side rails.

4. Electrical connection

It is the responsibility and obligation of the consumer to contact a qualified installer to assure that the electrical installation is adequate and is in conformance with the National Electrical Code ANSI/NFPA No. 70-latest edition, or with CSA Standard C22.1, Canadian Electrical Code, Part 1, and local codes and ordinances.

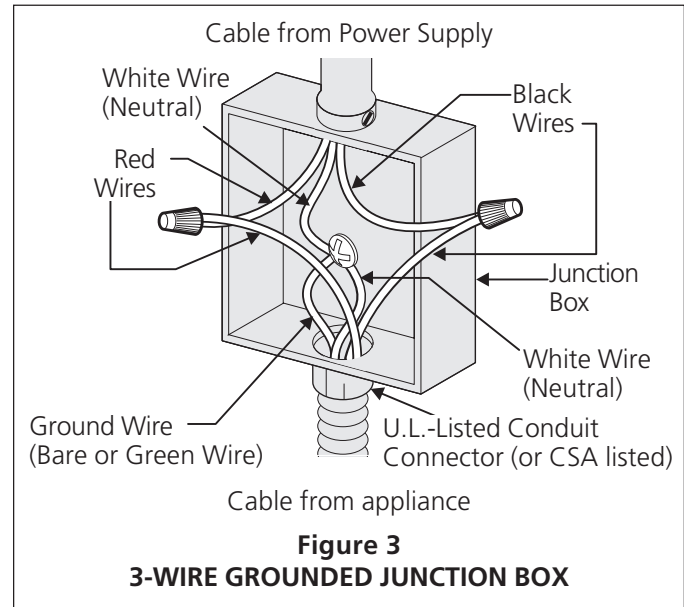
Electrical ground is required on this appliance.

These appliances are equipped with a copper conductor flexible cable. If connection is made to aluminum house wiring, use only special connectors which are approved for joining copper and aluminum wires in accordance with National Electrical Code and local codes and ordinances.

These appliances are manufactured with a white neutral power supply wire and a frame connected green or bare copper grounding wire.

Where local codes permit connecting the appliance-grounding conductor to the neutral (white) wire (US Only) (see figure 3):

1. Disconnect the power supply.
2. In the circuit breaker, fuse box or junction box: connect appliance and power supply cable wires as shown in Figure 3.



! WARNING Improper connection of aluminum house wiring to copper leads can result in a short circuit or fire. Use only connectors designed for joining copper to aluminum, and follow the manufacturer's recommended procedure closely.

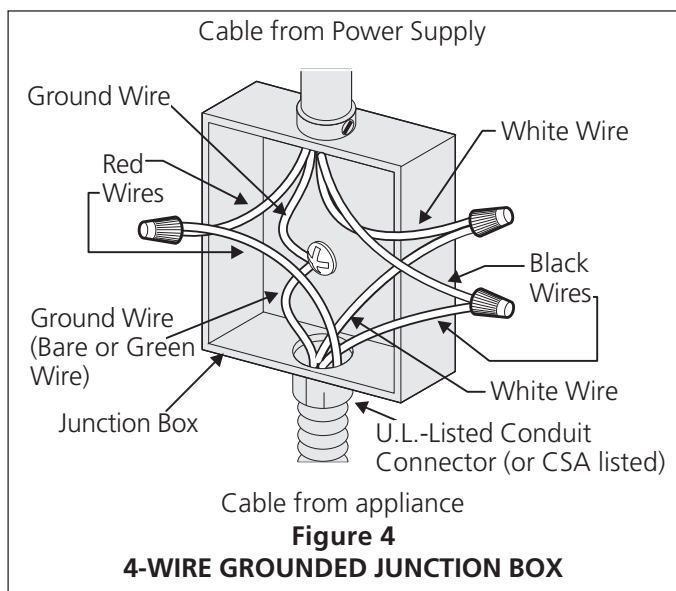
! WARNING You may not ground the oven through the neutral (white) wire if oven is used in a new branch circuit installation (1996 NEC), mobile home, recreational vehicle, or where local codes do not permit grounding through the neutral (white) wire. When grounding through the neutral (white) wire is prohibited, you must use a 4-wire power supply cable. See Figure 4. Failure to heed this warning may result in electrocution or other serious personal injury.

ELECTRIC WALL OVEN INSTALLATION INSTRUCTIONS

(and Optional Electric or Gas Cooktop Combination)

If oven is used in a new branch circuit installation (1996 NEC), mobile home, recreational vehicle, or where local codes DO NOT permit grounding through the neutral (white) wire (see figure 4):

1. Disconnect the power supply.
2. Separate the green (or bare copper) and white appliance cable wires.
3. In the circuit breaker, fuse box or junction box: connect appliance and power supply cable wires as shown in Figure 4.



DO NOT ground to a gas supply pipe. DO NOT connect to electrical power supply until appliance is permanently grounded. Connect the ground wire before turning on the power (Figure 4).

CAUTION If connecting to a 4-wire electrical system (mobile homes), the appliance frame **MUST NOT** be connected to the neutral wire of the 4-wire electrical system.

NOTE TO ELECTRICIAN: The armored cable leads supplied with the appliance are UL-recognized for connection to larger gauge household wiring. The insulation of the leads is rated at temperatures much higher than temperature rating of household wiring. The current carrying capacity of the conductor is governed by the temperature rating of the insulation around the wire, rather than the wire gauge alone.

WARNING

Heavy Weight Hazard

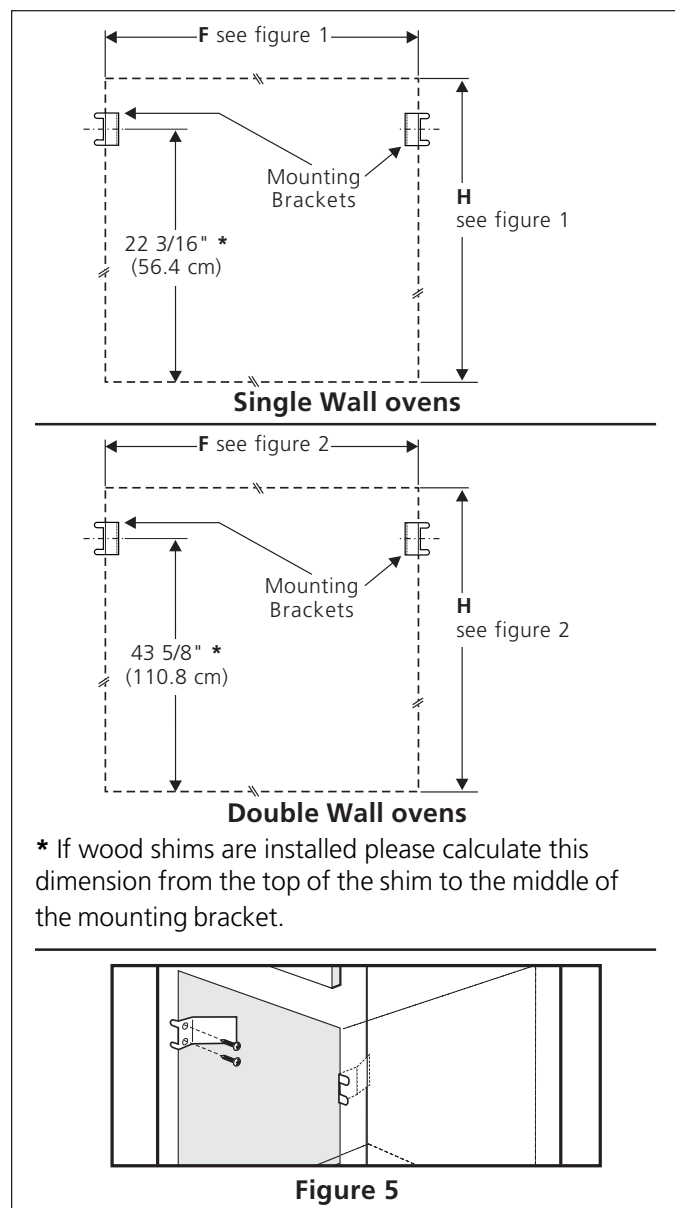
- Use 2 or more people to move and install wall oven.
- Failure to follow this instruction can result in injury or damage to the unit.

5. Cabinet Installation

WARNING The wall oven can tip when the door is open. The mounting brackets supplied with the wall oven must be attached to the cabinet and the appliance to prevent tipping of the wall oven and injury to persons.

Mounting Brackets Installation Instructions

1. Unpack the wall oven. Remove the bottom trim taped on the oven side panel. Find the 2 mounting brackets and screws included in the literature package.
2. Install the mounting brackets in the wall cabinet as shown on Figure 5. **Note:** To prevent damage to cabinet, it is recommended to drill 1/16" (0.16 cm) dia. pilot holes before installing the mounting brackets.



* If wood shims are installed please calculate this dimension from the top of the shim to the middle of the mounting bracket.

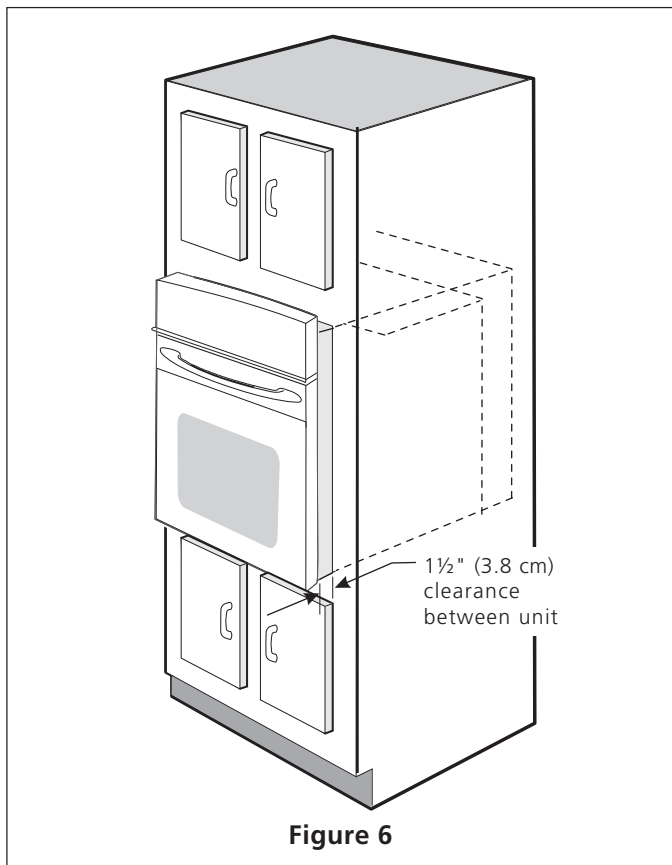
ELECTRIC WALL OVEN INSTALLATION INSTRUCTIONS

(and Optional Electric or Gas Cooktop Combination)

IMPORTANT

Do not lift the oven by the door handle.

3. Insert the oven into the cabinet opening. Slide oven inward leaving $1\frac{1}{2}$ " (3.8 cm) clearance between the oven and front of cabinet (see Figure 6). Pull the armored cable through the hole for it in the cabinet and toward the junction box while moving the appliance inward.

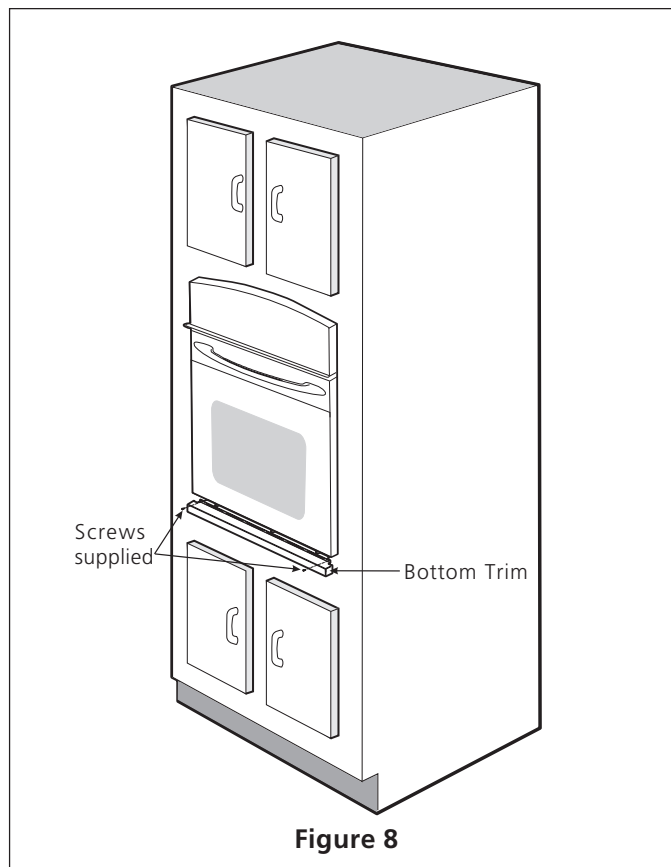
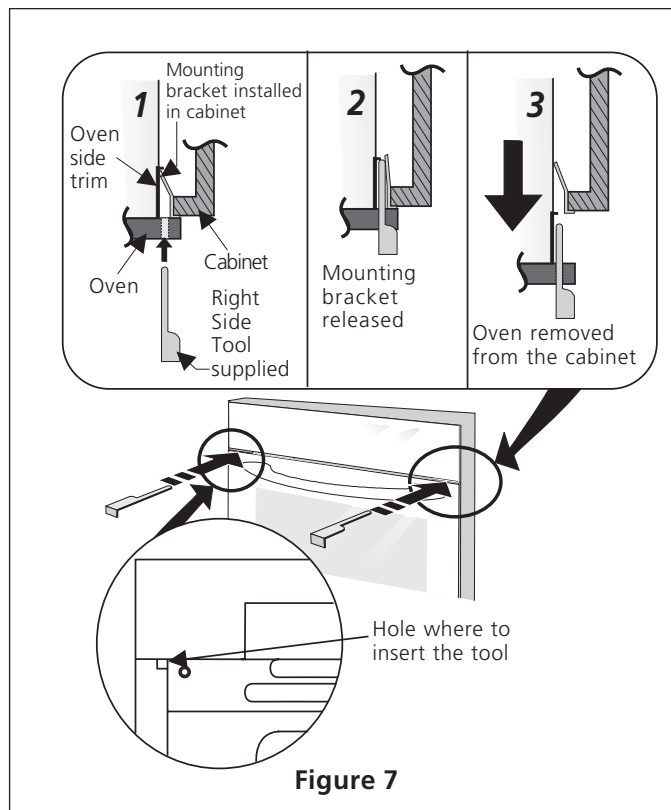


4. Push the oven in and against the cabinet; the oven side bracket will clip into the mounting brackets installed into the side of cabinet.

To pull out the oven for servicing you must use the two tools supplied with the oven. Insert one tool into hole in each side of oven frame. Holes are visible when door is opened. After inserting tools pull the oven towards you (see Figure 7).

5. Bottom Trim Installation:

Place the top of the bottom trim over the side trim tabs on each side of the oven below the oven door and fix it using the 2 screws supplied in the mounting holes located on each side trim below the oven frame (see Figure 8).



ELECTRIC WALL OVEN INSTALLATION INSTRUCTIONS

(and Optional Electric or Gas Cooktop Combination)

6. For typical under counter installation of an electric built-in oven see Figure below.

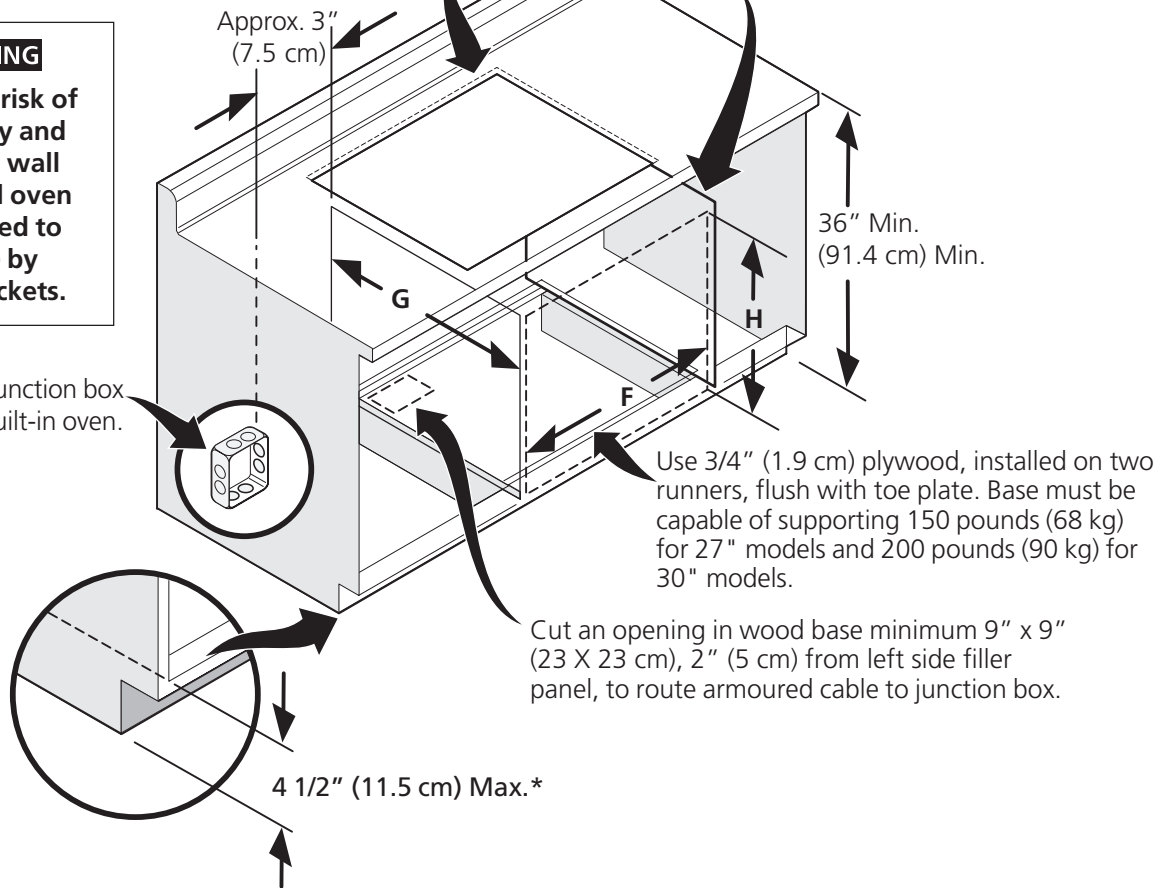
Only certain cooktop models may be installed over certain built-in electric oven models. Approved cooktops and built-in ovens are listed by the MFG ID number and product code (see the insert sheet included in the literature package and cooktop installation instructions for dimensions).

Cabinet side filler panels are necessary to isolate the unit from adjoining cabinets. Cabinet side filler height should allow for installation of approved cooktop models

⚠ WARNING

To reduce the risk of personal injury and tipping of the wall oven, the wall oven must be secured to the cabinet (s) by mounting brackets.

208/240 Volt junction box for built-in oven.



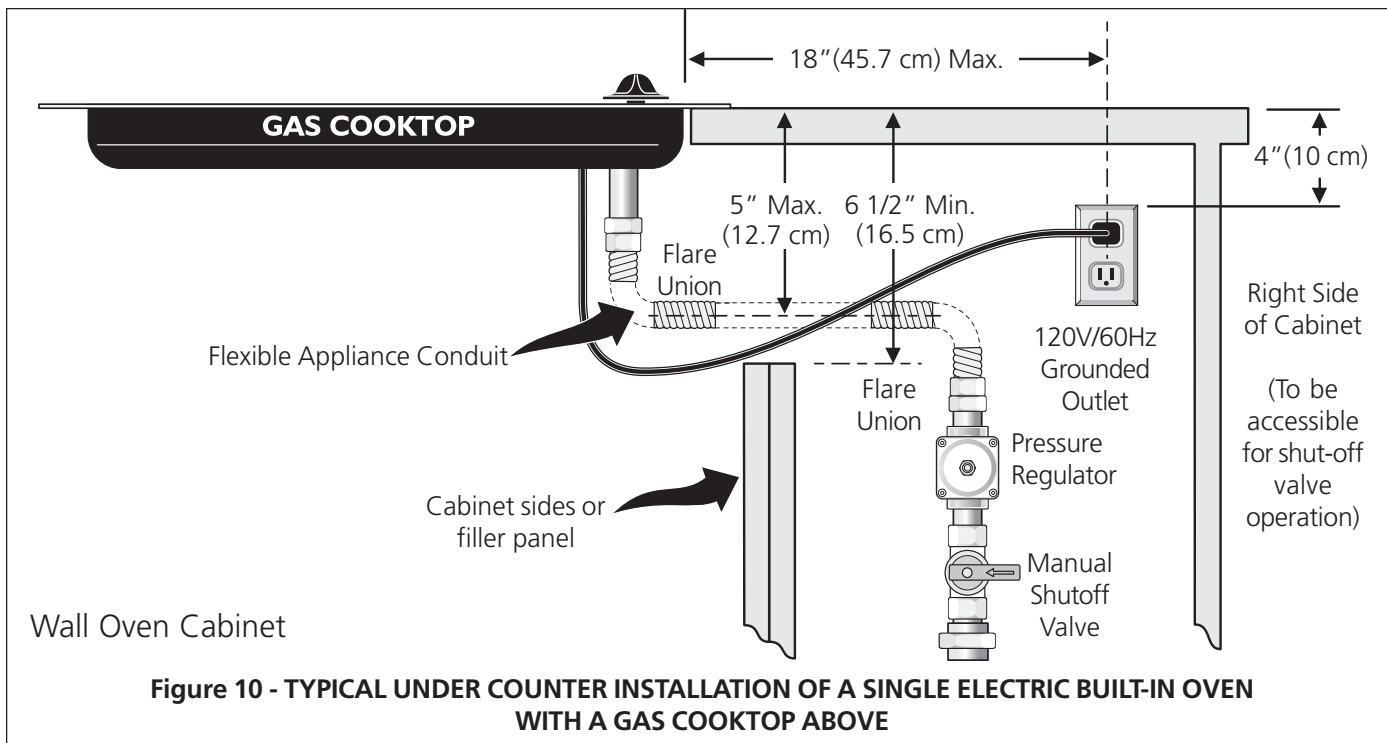
* If no cooktop is installed directly over the oven unit, 5" (12.7 cm) maximum is allowed above the floor.

CUTOUT DIMENSIONS			
	F.WIDTH	G.DEPTH	H.HEIGHT
27" (68.6 cm) Wall Oven	24 ⁷ / ₈ " (63.2 cm) Min. 25 ¹ / ₄ " (64.1 cm) Max.	23 ¹ / ₂ " (59.7 cm) Min.	27 ¹ / ₄ " (69.2 cm) Min. 28 ⁵ / ₈ " (72.7 cm) Max.
30" (76.2 cm) Wall Oven	28 ¹ / ₂ " (72.4 cm) Min. 29" (73.7 cm) Max.	23 ¹ / ₂ " (59.7 cm) Min.	27 ¹ / ₄ " (69.2 cm) Min. 28 ⁵ / ₈ " (72.7 cm) Max.

Figure 9- TYPICAL UNDER COUNTER INSTALLATION OF A SINGLE ELECTRIC BUILT-IN OVEN WITH AN ELECTRIC COOKTOP MOUNTED ABOVE

ELECTRIC WALL OVEN INSTALLATION INSTRUCTIONS

(and Optional Electric or Gas Cooktop Combination)



ELECTRIC WALL OVEN INSTALLATION INSTRUCTIONS

(and Optional Electric or Gas Cooktop Combination)

6. Leveling the Wall Oven

1. Install an oven rack in the center of the upper oven (see Figure 11).
2. Place a level on the rack. Take 2 readings with the level placed diagonally in one direction and then the other. Use wood shims under the wall oven to level if necessary.
3. Repeat in the lower oven if you have a double cavity wall oven. If the level indicates that the rack is not level, use wood shims to reach a compromise for both ovens.

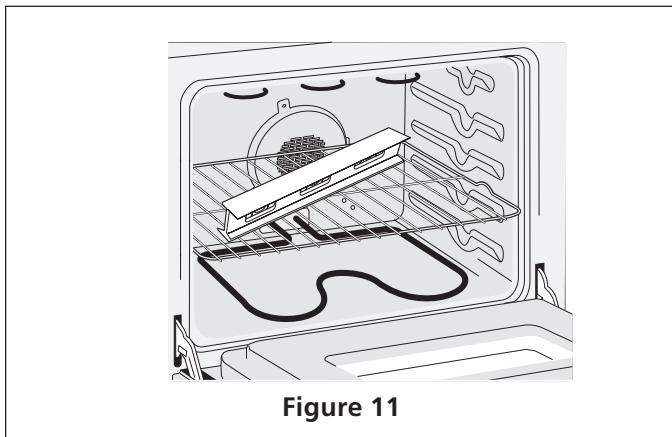


Figure 11

IMPORTANT NOTE

A cooling fan inside the upper rear part above the oven (some models) provides cooling of the oven electrical and electronic components. If the oven has been operating at high temperatures, the fan will continue to run after the oven is turned off.

7. Checking Operation

Your model is equipped with an **Electronic Oven Control**. Each of the functions has been factory checked before shipping. However, it is suggested that you verify the operation of the electronic oven controls once more. Refer to the **Use and Care Guide** or the **Timer Guide** for operation.

1. Remove all items from the inside of the oven.
2. Turn on the power to the oven (Refer to your Use & Care Guide.)
3. Verify the operation of the electronic oven controls:
 - Bake** - Verify that this function makes the oven hot. 20 seconds after turning oven on, open the door and you should feel heat coming from the oven.
 - Broil** - When the oven is set to BROIL, the upper element in the oven should become red.
 - Convection (some models)** - When the oven is set for a convection baking or roasting, both elements cycle on and off alternately and the convection fan will run. The convection fan will stop running when the oven door is opened.

Model and Serial Number Location

The serial plate is located along the interior side trim of the oven and visible when the door is opened.

When ordering parts for or making inquiries about your oven, always be sure to include the model and serial numbers and a lot number or letter from the serial plate on your oven.

Before You Call for Service

Read the "Before You Call for Service Checklist" and the "Operating Instructions" in your **Use and Care Guide**. It may save you time and expense. The list includes common occurrences that are not the result of defective workmanship or materials in this appliance.

Refer to your **Use and Care Guide** for service phone numbers.

INSTRUCCIONES DE INSTALACIÓN PARA EL HORNO ELECTRICO DE PARED

(Combinado con una cocina electrica o de gas facultativa)

LA INSTALACION Y EL SERVICIO DEBEN SER EFECTUADOS POR UN INSTALADOR CALIFICADO. IMPORTANTE: GUARDE ESTAS INSTRUCCIONES PARA USO DEL INSPECTOR LOCAL DE ELECTRICIDAD. LEA Y GUARDE ESTAS INSTRUCCIONES PARA REFERENCIA FUTURA.

⚠ ADVERTENCIA PARA SU SEGURIDAD: No almanece ni utilice gasolina u otros vapores y líquidos inflamables en la proximidad de este o de cualquier otro artefacto.

El primer paso para su instalación debe de ser el de medir las dimensiones de la apertura y compararlas con las que se indican en el cuadro de dimensiones del hueco de la figura 1. Posiblemente encontrará que algún trabajo de carpintería será necesario.

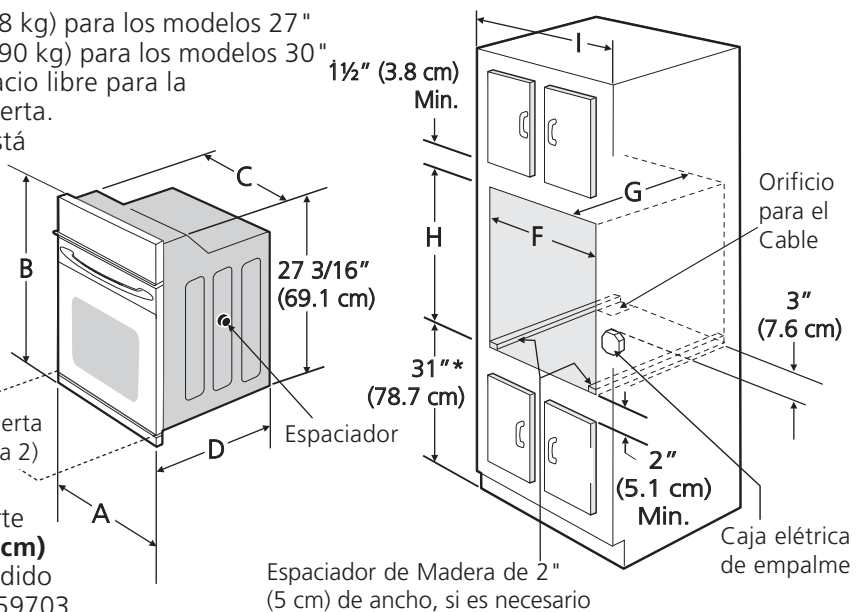
⚠ ADVERTENCIA No quite los separadores de los muros laterales o/y de la parte posterior del horno empotrado. Estos espaciadores centran el horno en el espacio provisto. El horno debe estar centrado para prevenir una concentración excesiva de calor que podría resultar en daños por el calor o un incendio.

NOTAS:

1. La base debe poder sostener 150 libras (68 kg) para los modelos 27" y la base debe poder sostener 200 libras (90 kg) para los modelos 30"
2. Deje por lo menos 21" (53.3 cm) de espacio libre para la profundidad de la puerta cuando esta abierta.
3. La dimensión **G** (profundidad del corte) está primordial para instalar correctamente el horno de pared. Si el adorno del armazón del horno no topa contra el armario, o si escuche un ruido, verifique si la dimensión **G** está en conformidad con la dimensión requerida.

4. Para un corte de una altura mayor que **28¹/₈" (71.4 cm)** agregar una cuña de madera de 2" (5 cm) de ancho para lograr la altura apropiada a cada lado del orificio ubicado debajo de los rieles laterales del accesorio.

5. **MODELOS 30" SOLAMENTE:** Para un corte de una altura (**H**) mayor que **28⁵/₈" (72.7 cm)** una moldura grande inferior puede ser pedido con su representante pide la parte #318259703 (para modelos blancos), 318259704 (modelos negros), 318259705 (modelos bisque) o 318259707 (acero inoxidable modelos).



* Distancia sugerida desde el suelo es 31" (78.7 cm). La distancia mínima requerida es 4¹/₂" (11.4 cm).

Figura 1

Hornos simples de Pared de 27" y 30" (Para hornos dobles, ver la Figura 2)

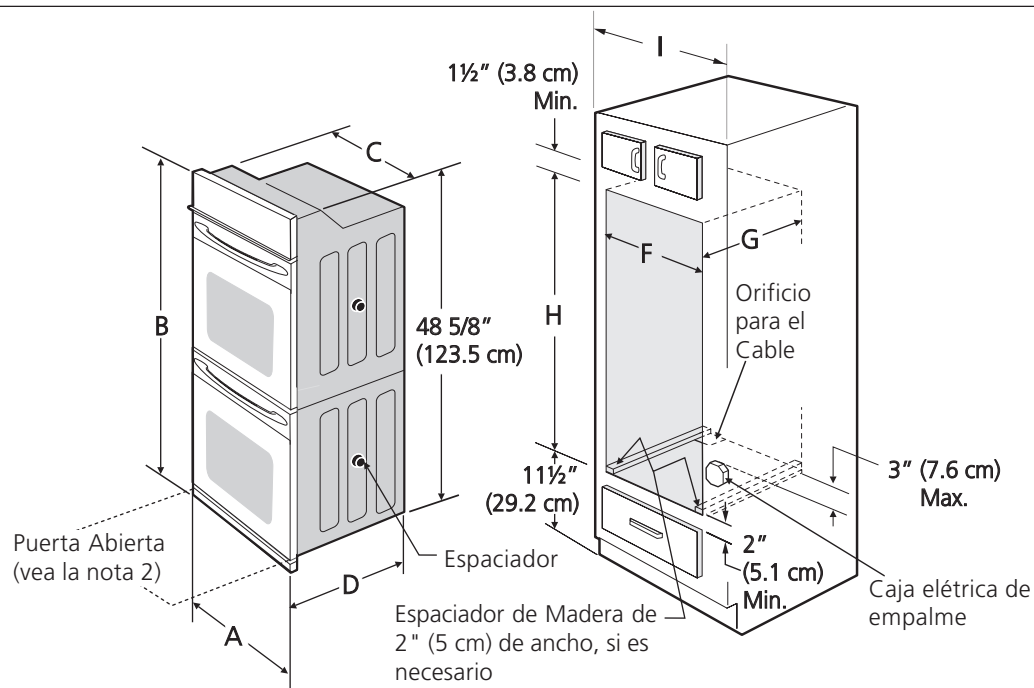
DIMENSIONES DEL APARATO							
MODELO	A		B	C		D	
Horno de pared 27 (68.6)	27 (68.6)		29 (73.7)	24 ⁵ / ₈ (62.5)		24 ¹ / ₂ (62.2)	
Horno de pared 30 (76.2)	30 (76.2)		29 (73.7)	28 ¹ / ₄ (71.8)		24 ¹ / ₂ (62.2)	
DIMENSIONES DEL HUECO Y ANCHURA DEL ARMARIO							
MODELO	Min.	F	Max.	G (Min.)	Min.	H Max.	I
Horno de pared 27 (68.6)	24 ⁷ / ₈ (63.2)		25 ¹ / ₄ (64.1)	23 ¹ / ₂ (59.7)	27 ¹ / ₄ (69.2)	28 ⁵ / ₈ (72.7)	27 ¹ / ₈ (68.9) Min
Horno de pared 30 (76.2)	28 ¹ / ₂ (72.4)		29 (73.7)	23 ¹ / ₂ (59.7)	27 ¹ / ₄ (69.2)	28 ⁵ / ₈ (72.7)	30 ¹ / ₈ (76.5) Min

Todas las dimensiones se dan en pulgadas (cm).

INSTRUCCIONES DE INSTALACIÓN PARA EL HORNO ELÉCTRICO DE PARED

(Combinado con una cocina eléctrica o de gas facultativa)

⚠️ ADVERTENCIA No quite los separadores de los muros laterales o/y de la parte posterior del horno empotrado. Estos espaciadores centran el horno en el espacio provisto. El horno debe estar centrado para prevenir una concentración excesiva de calor que podría resultar en daños por el calor o un incendio.



NOTES:

1. La base debe poder sostener 300 libras (136 kg) para los modelos 27" y la base debe poder sostener 375 libras (170 kg) para los modelos 30".
2. Deje por lo menos 21" (53.3 cm) de espacio libre para la profundidad de la puerta cuando esta abierta.
3. La dimensión **G** (profundidad del corte) está primordial para instalar correctamente el horno de pared. Si el adorno del armazón del horno no topa contra el armario, o si escuche un ruido, verifique si la dimensión **G** está en conformidad con la dimensión requerida.
4. Para un corte de una profundidad mayor que **49 1/2" (125.7 cm)** agregar una cuña de madera de 2" (5 cm) de ancho para lograr la altura apropiada a cada lado del orificio ubicado debajo de los rieles laterales del accesorio.
5. **MODELOS 30" SOLAMENTE:** Para un corte de una altura **(H)** mayor que **49 7/8" (126.7 cm)** una moldura grande inferior puede ser pedido con su representante.

Figura 2
HORNOS DOBLES DE 27" Y 30" (Para hornos simples, ver la Figura 1)

DIMENSIONES DEL APARATO							
MODELO	A		B		C		D
Horno de pared 27 (68.6)	27 (68.6)		50 ⁷ / ₁₆ (128.1)		24 ⁵ / ₈ (62.5)		24 ¹ / ₂ (62.2)
Horno de pared 30 (76.2)	30 (76.2)		50 ⁷ / ₁₆ (128.1)		28 ¹ / ₄ (71.8)		24 ¹ / ₂ (62.2)
DIMENSIONES DEL HUECO Y ANCHURA DEL ARMARIO							
MODELO	Min. F Max.		G (Min.)		Min. H Max.		I
Horno de pared 27 (68.6)	24 ⁷ / ₈ (63.2) 25 ¹ / ₄ (64.1)		23 ¹ / ₂ (59.7)		48 ⁷ / ₈ (124.1) 49 ⁷ / ₈ (126.7)		27 ¹ / ₈ (68.9) Min
Horno de pared 30 (76.2)	28 ¹ / ₂ (72.4) 29 (73.7)		23 ¹ / ₂ (59.7)		48 ⁷ / ₈ (124.1) 49 ⁷ / ₈ (126.7)		30 ¹ / ₈ (76.5) Min

Todas las dimensiones se dan en pulgadas (cm).

INSTRUCCIONES DE INSTALACIÓN PARA EL HORNO ELÉCTRICO DE PARED

(Combinado con una cocina eléctrica o de gas facultativa)

Notas importantes para el instalador

1. Lea todas las instrucciones contenidas en este manual antes de instalar el horno.
2. Saque todo el material usado en el embalaje del compartimiento del horno antes de conectar el suministro eléctrico o de gas a la estufa.
3. Observe todos los códigos y reglamentos pertinentes.
4. Deje estas instrucciones con el consumidor.
5. La puerta del horno se puede retirar para facilitar la instalación.
6. **ESTE HORNO NO ESTÁ APROBADO PARA LA INSTALACIÓN APILABLE O DE LADO A LADO.**

Nota importante al consumidor

Conserve estas instrucciones y el manual del usuario para referencia futura.

INSTRUCCIONES IMPORTANTES DE SEGURIDAD

- **Asegúrese de que su horno de pared sea instalado y puesto a tierra de forma apropiada por un instalador calificado o por un técnico de servicio.**
- **Este horno de pared debe ser eléctricamente puesto a tierra de acuerdo con los códigos locales o, en su ausencia, con el Código Eléctrico Nacional ANSI/NFPA No. 70—última edición en los Estados Unidos, o el Código Eléctrico Canadiense CSA Standard C22.1, Part 1, en Canadá.**

⚠ ADVERTENCIA Pisar, apoyarse, o sentarse sobre la puerta de este horno de pared puede causar serias lesiones y daños al horno de pared.

- **Nunca use su horno de pared para calentar una habitación.** El uso prolongado de la estufa sin la ventilación adecuada puede ser peligroso.

⚠ ADVERTENCIA La corriente eléctrica al horno debe estar apagada mientras se hacen las conexiones de líneas. Si no se apaga, daños serios o la muerte podrían resultar.

1. Carpintería

Consulte la Figura 1 o la figura 2 para conocer las dimensiones pertinentes al modelo de su horno y al espacio necesario en el que poner el horno. La superficie donde se va a apoyar el horno debe de ser de madera contrachapada sólida u otro material similar y, sobre todo, la superficie tiene que estar a nivel, de lado a lado, y de atrás hacia adelante.

2. Requisitos Eléctricos

Este artefacto debe ser suministrado con el voltaje y la frecuencia adecuados, y conectado a un circuito individual correctamente puesto a tierra, protegido por un cortacircuito o un fusible con el amperio anotado en la placa de calificación (la placa se encuentra en el armazón del horno).

Cumpla con todos los códigos en vigor y todos los reglamentos locales.

1. Para el suministro eléctrico solamente se necesita corriente con frecuencia de 60 Hz AC y fase única de 120/208 o 120/240 voltios suministrada por cable de 3 o de 4 alambres en un circuito separado con fusibles en ambos lados de la línea (se recomienda un fusible de tiempo retardado o un cortacircuito). NO ponga un fusible en hilo neutro. El tamaño del fusible no tiene que exceder la capacidad del circuito necesario para el electrodomésticos y la cual se especifica en la placa. Sólo ciertos modelos de tapas de cocina se pueden instalar sobre ciertos modelos de hornos eléctricos empotrados. Las tapas de cocina y los hornos empotrados se mencionan por su número de identificación MFG ID (ver la planilla que se incluye en el paquete de literatura).
2. El horno simple de pared puede consumir un máximo de 4000W a 240Vac. Use un disyuntor de 30 amperes con un cable #8 AWG. El horno doble de pared puede consumir un máximo de 8000W a 240Vac. Use un disyuntor de 40 amperes con un cable #8 AWG.

NOTA: El tamaño de los cables y de las conexiones debe de estar en conformidad con el tamaño del fusible y con la capacidad del electrodomésticos y de acuerdo con el Código Eléctrico Nacional ANSI/NFPA No. 70 - última edición, o el Código Eléctrico Canadiense CSA Standard C22.1, Part 1, y los códigos y reglamentos locales.

⚠ ADVERTENCIA No se debiera usar extensiones para enchufar este electrodoméstico. Esto podría causar un incendio, choque eléctrico u otro tipo de daño personal. Si usted necesita un cable mas largo, puede ordenar un cable de 10" kit 903056-9010 llamando al centro de Partes y Servicio Sears al 1-888-SU-HOGARSM.

3. Este electrodoméstico debe conectarse a la caja de fusibles (o de cortacircuito), por medio de un cable blindado flexible o un cable con forro no metálico. El cable blindado flexible que va desde el electrodoméstico debe de estar conectado directamente a la caja de empalme. La caja de empalme debe de estar localizada en el lugar que se indica en la Figura 1 o 2, dejando tanto exceso de cable como sea posible entre la caja y el electrodoméstico, de forma que así el electrodoméstico se pueda mover fácilmente, si fuera necesario para hacer una reparación.
4. Se debe de usar un conector que reduzca la tirantez de una forma adecuada para unir el cable blindado flexible a la caja de empalme.

INSTRUCCIONES DE INSTALACIÓN PARA EL HORNO ELÉCTRICO DE PARED

(Combinado con una cocina eléctrica o de gas facultativa)

⚠️ ADVERTENCIA

Riesgo de choque eléctrico

- Una puesta a tierra se requiere en este aparato.
- No lo conecte a la corriente eléctrica hasta que el aparato haya sido puesto a tierra.
- Desconecte la corriente eléctrica a la caja de empalmes antes de hacer la conexión eléctrica.
- Este aparato debe estar conectado con un sistema de alambres puesto en tierra, metálico y permanente o un conector de puesta a tierra debe conectarse al terminal de puesta a tierra o el alambre conductor en el aparato.
- No utilice el suministro de gas para hacer la puesta a tierra.

La falta de cualquiera de las instrucciones mencionadas podría resultar en un incendio, choque eléctrico o lesiones personales.

⚠️ AVISO En cuanto a las condiciones de despacho y almacenamiento en el invierno, asegúrese de que el horno llegue a su destino final como mínimo tres (3) horas antes de encenderlo. Si se enciende el horno cuando aún está frío, se pueden dañar los controles.

3. Ajuste de la altura del horno

La altura del horno se puede ajustar con cuñas de madera de 2" (5 cm) de ancho, donde sea necesario, para que quepa en un gabinete o abertura existente, cuando la altura del corte es superior a **28¹/₈" (71,4 cm)** en el caso del horno único de pared o **49¹/₂" (125.7 cm)** en el caso del horno doble de pared (ver la Figura 1 ó 2). Colocar las cuñas de altura apropiada debajo de los rieles laterales del horno.

4. Conexión eléctrica

El usuario tiene la responsabilidad personal y obligación de utilizar un instalador calificado, para asegurar que la instalación eléctrica está hecha de forma adecuada y está conforme con el Código Eléctrico Nacional ANSI/NFPA No. 70-última edición en los Estados Unidos, o el Código Eléctrico Canadiense CSA Standard C22.1, Part 1, en Canadá.

En este electrodoméstico se necesita un cable de toma a tierra.

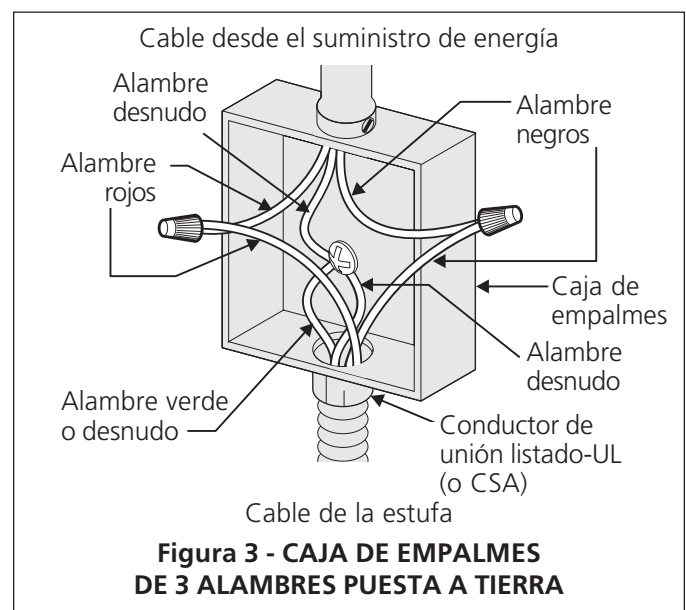
Este electrodoméstico viene equipado con un cable de conexión de cobre. Si esto tuviera que conectarse a los cables de aluminio de una casa, use solamente los conectores especiales aprobados para empalmes de cobre y aluminio, de acuerdo con el Código Eléctrico Nacional y los reglamentos y códigos locales.

Este electrodoméstico se ha fabricado con un cable para el suministro de energía que tiene un alambre neutro de color blanco y un alambre pelado de toma a tierra conectado al armazón.

Donde los códigos locales permitan conectar el conductor de puesta a tierra del electrodoméstico al neutro (blanco) (Solamente en los Estados Unidos) (vea figura 3):

(Un cordón flexible o cable de 3 conductores debe de ser reemplazado con un cordón flexible o cable de 4 conductores donde la conexión del conductor a tierra al neutro esta prohibida en las nuevas instalaciones (1996 NEC), las casas sobre ruedas, los vehículos de recreación o otras áreas donde los códigos locales no permiten la conexión a tierra al neutro.)

1. Desconecte el suministro eléctrico.
2. En el interruptor automático, caja de fusibles o caja de juntas: conectar el aparato y los cables residenciales como se muestra en la figura 3.



⚠️ ADVERTENCIA Una conexión incorrecta del alambrado de aluminio con los conductores de cobre puede resultar en un cortocircuito o incendio. Use solamente los conectores diseñados para juntar el cobre con el aluminio y siga exactamente el procedimiento recomendado por el fabricante.

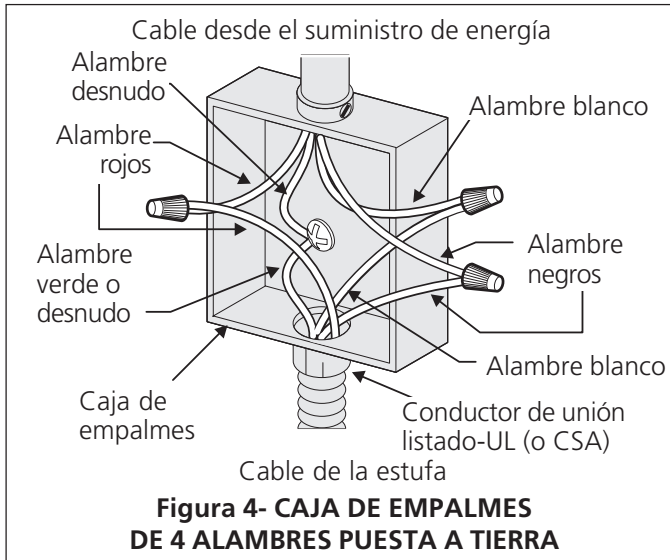
⚠️ ADVERTENCIA No se puede conectar a tierra el horno a través del cable neutro (blanco) si el horno es usado en una instalación de circuito de ramal nuevo (1996 NEC), en una casa rodante, en un vehículo para recreación o si los códigos locales no permiten la conexión a tierra a través del cable neutro (blanco). Si está prohibida la conexión a tierra a través del cable neutro (blanco), se debe usar un cable de alimentación de 4 hilos. Ver la Figura 4. Si no se observa esta advertencia, esto puede resultar en electrocución o en otra lesión personal grave.

INSTRUCCIONES DE INSTALACIÓN PARA EL HORNO ELECTRICO DE PARED

(Combinado con una cocina electrica o de gas facultativa)

Si el horno se usa en una instalación de circuito de ramal nuevo (1996 NEC), en una casa rodante, en un vehículo para recreación o si los códigos locales NO permiten la conexión a tierra a través del cable neutral (blanco) (ver figura 4):

1. Desconecte el suministro eléctrico
2. Separe el alambre verde (o cobre desnudo) y el alambre blanco del electrodoméstico.
3. En el interruptor automático, caja de fusibles o caja de juntas: conectar el aparato y los cables residenciales como se muestra en la figura 4.



NO conecte el alambre puesto a tierra a una tubería de suministro de gas. NO conecte el suministro de energía eléctrica hasta que el electrodoméstico haya sido permanentemente puesto a tierra. Conecte el alambre de puesto a tierra antes de enchufar por primera vez el electrodoméstico.

PRECAUCION Si está conectado a un sistema eléctrico de 4 alambres, el armazón del electrodoméstico NO TIENE QUE estar conectado al alambre neutro del sistema eléctrico de 4 alambres.

NOTA AL ELECTRICISTA: Los conductores de cable blindados provistos con este artefacto son aprobados por UL para la conexión al alambrado de casa de un calibre mayor. El aislamiento de los conductores está calificado para temperaturas más altas que las del alambrado de la casa. La capacidad de corriente del conductor está gobernada por la calificación de la temperatura del aislamiento alrededor del alambre en vez de solamente el calibre del alambre.

ADVERTENCIA

Peligro de Peso Pesado

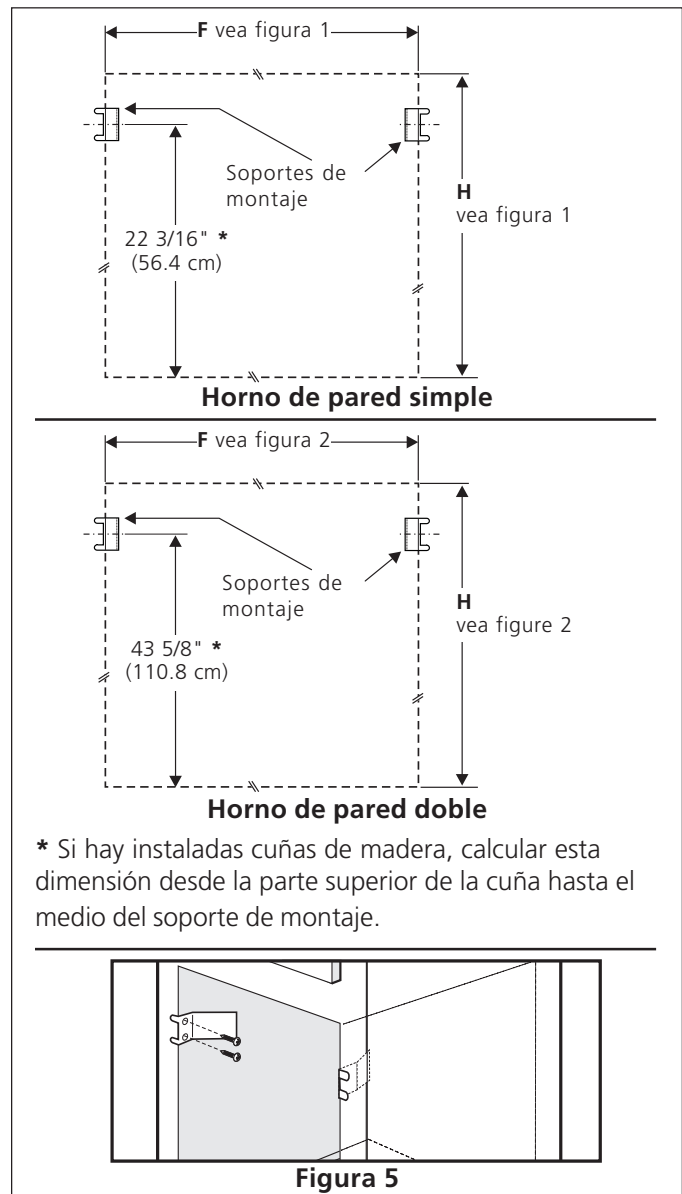
- Use 2 personas o más para mover e instalar el horno de pared.
- Si no cumple con esta instrucción, puede resultar en lesiones personales o daños al horno de pared

5. Instalación del Gabinete

ADVERTENCIA El horno de pared puede inclinarse cuando la puerta esta abierta. Los soportes de montaje que vienen con el horno de pared deben de estar ajustadas al armario y al aparato para evitar que el horno de pared se incline y ocasione quemaduras graves.

Instrucciones de instalación de los soportes de montaje

1. Desembalar el horno de pared. Extraer la guarnición inferior y los 2 tornillos unidos con cinta al panel lateral del horno. Buscar las dos soportes de montaje y los tornillos que se incluyen en el paquete de literatura.
2. Instale los soportes de montaje como en la figura 5. **Nota:** Para prevenir cualquier tipo de daño al gabinete es recomendable perforar agujeros con un diametro de 1/16" (0,16cm) antes de instalar los soportes de montaje.



INSTRUCCIONES DE INSTALACIÓN PARA EL HORNO ELÉCTRICO DE PARED

(Combinado con una cocina eléctrica o de gas facultativa)

IMPORTANTE

No levante el horno por la manija de la puerta.

3. Insertar el horno en la abertura del gabinete. Deslizar el horno hacia dentro dejando 1 1/2" (3,8 cm) de espacio libre entre el horno y la parte delantera del gabinete (ver la Figura 6). Empujar el cable blindado a través del orificio del gabinete y hacia la caja de paso mientras se desliza el accesorio hacia adentro.

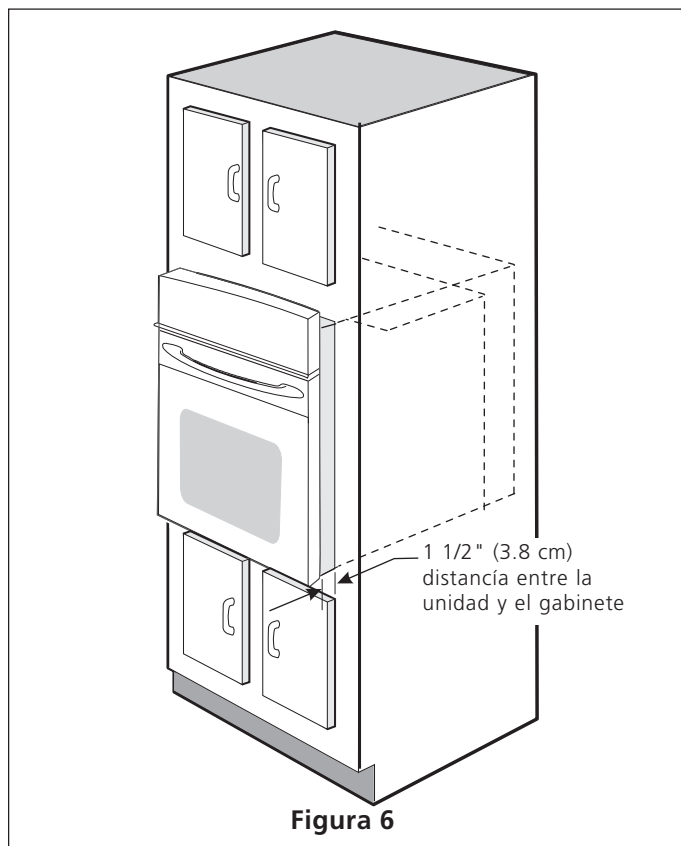


Figura 6

4. Empujar el horno hacia adentro y en contra del gabinete; la ménsula lateral del horno enganchará en los soportes de montaje instalados en el costado del gabinete.

Para extraer el horno en caso de reparación, usar las dos herramientas provistas con el horno. Insertar una herramienta en el orificio a cada costado del marco del horno. Los orificios se pueden ver cuando la puerta está abierta. Después de insertar las herramientas, extraer el horno hacia fuera (ver la Figura 7).

5. Instalación de la Guarnición Inferior:

Colocar la parte superior de la guarnición inferior sobre las lengüetas laterales del horno, debajo de la puerta del horno, y fijarlas usando los 2 tornillos provistos con los orificios de montaje ubicados a cada lado del marco del horno (ver la Figura 8).

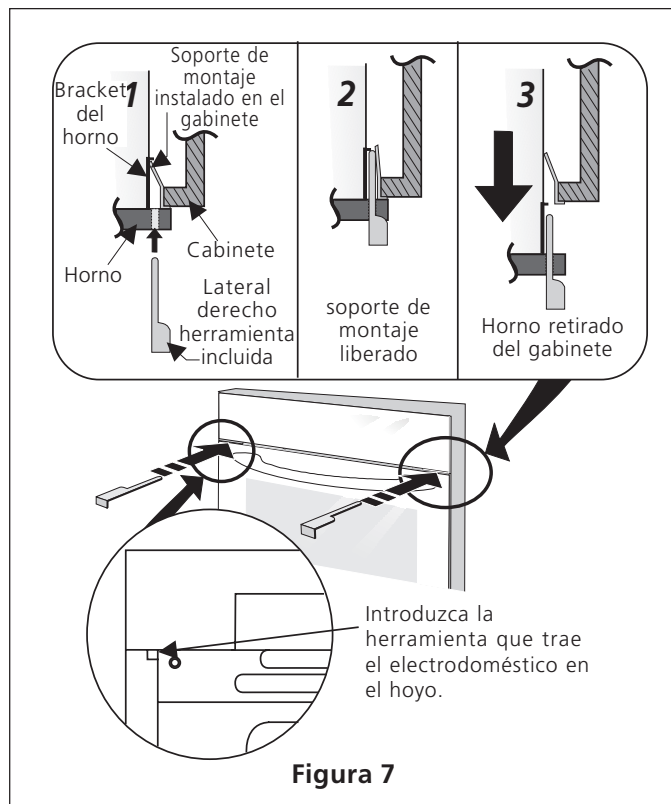


Figura 7

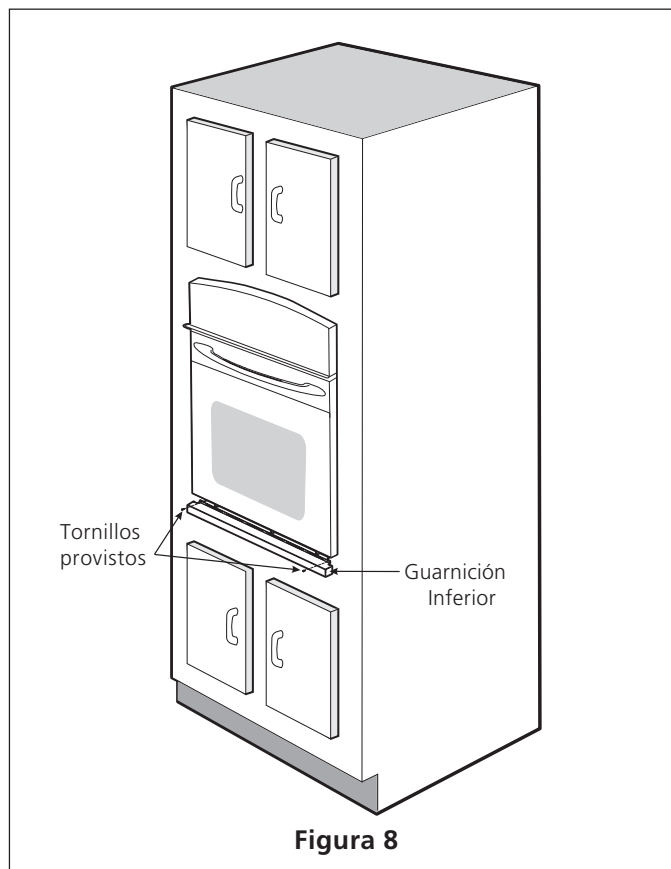


Figura 8

INSTRUCCIONES DE INSTALACIÓN PARA EL HORNO ELÉCTRICO DE PARED

(Combinado con una cocina eléctrica o de gas facultativa)

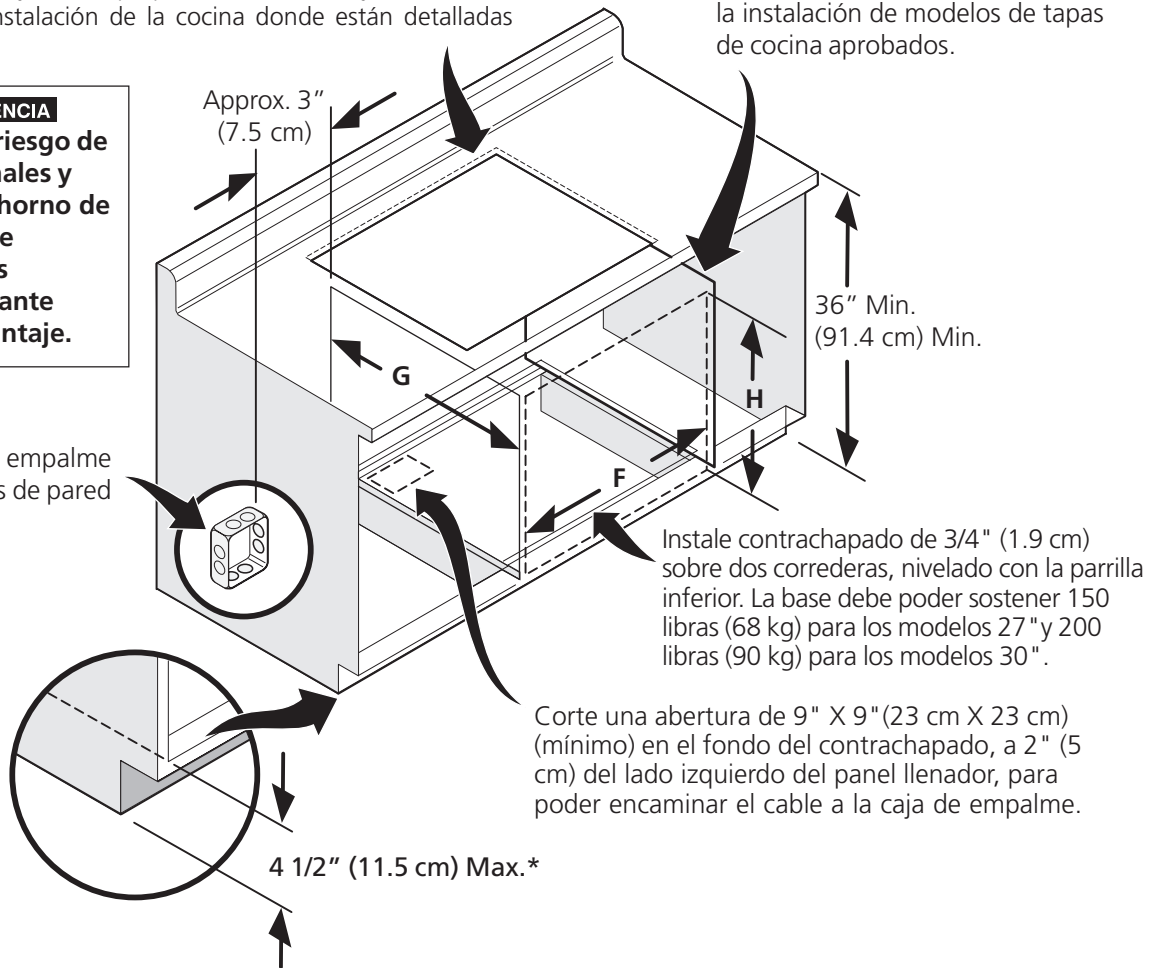
6. Para una instalación típica de un horno eléctrico incorporado debajo del mostrador, vea la figura 9.

Sólo ciertos modelos de tapas de cocina se pueden instalar sobre ciertos modelos de hornos eléctricos empotrados. Las tapas de cocina y los hornos empotrados se mencionan por su número de identificación MFG ID y código de producto (ver la planilla que se incluye en el paquete de literatura y las instrucciones de instalación de la cocina donde están detalladas las dimensiones).

Los paneles de relleno laterales del gabinete son necesarios para aislar la unidad de los gabinetes adyacentes. La altura del relleno lateral del gabinete debe permitir la instalación de modelos de tapas de cocina aprobados.

⚠ ADVERTENCIA
Para reducir el riesgo de lesiones personales y inclinación del horno de pared, éste debe asegurarse a los gabinetes mediante soportes de montaje.

208/240 caja de empalme para hornos de pared



Instale contrachapado de 3/4" (1.9 cm) sobre dos correderas, nivelado con la parrilla inferior. La base debe poder sostener 150 libras (68 kg) para los modelos 27" y 200 libras (90 kg) para los modelos 30".

Corte una abertura de 9" X 9" (23 cm X 23 cm) (mínimo) en el fondo del contrachapado, a 2" (5 cm) del lado izquierdo del panel llenador, para poder encaminar el cable a la caja de empalme.

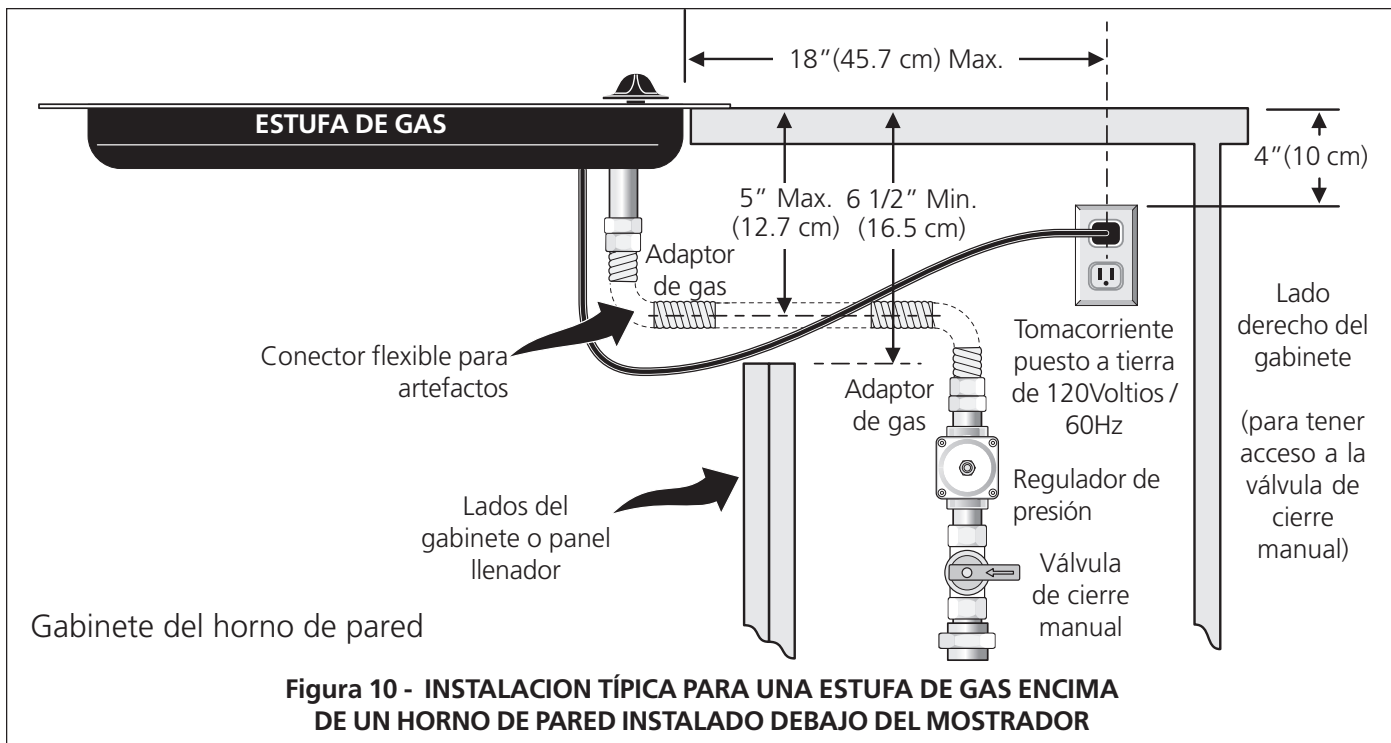
DIMENSIONES DE ABERTURA			
	F. ANCHURA	G. PROFUNDIDAD	H. ALTURA
27" (68.6 cm) Horno de pared	24 ⁷ / ₈ " (63.2 cm) Min. 25 ¹ / ₄ " (64.1 cm) Max.	23 ¹ / ₂ " (59.7 cm) Min.	27 ¹ / ₄ " (69.2 cm) Min. 28 ⁵ / ₈ " (72.7 cm) Max.
30" (76.2 cm) Horno de pared	28 ¹ / ₂ " (72.4 cm) Min. 29" (73.7 cm) Max.	23 ¹ / ₂ " (59.7 cm) Min.	27 ¹ / ₄ " (69.2 cm) Min. 28 ⁵ / ₈ " (72.7 cm) Max.

* Si no se instala ninguna tapa de cocina directamente sobre la unidad del horno, se permite un espacio máximo de 5" (12,7 cm) sobre el piso.

Figura 9 – INSTALACIÓN TÍPICA DEBAJO DE LA MESADA DE HORNO SIMPLE EMPOTRADO CON TAPA DE COCINA MONTADA

INSTRUCCIONES DE INSTALACIÓN PARA EL HORNO ELECTRICO DE PARED

(Combinado con una cocina electrica o de gas facultativa)

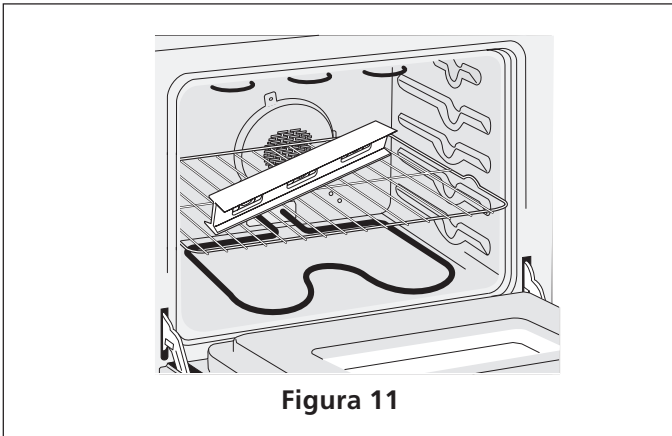


INSTRUCCIONES DE INSTALACIÓN PARA EL HORNO ELECTRICO DE PARED

(Combinado con una cocina electrica o de gas facultativa)

6. Asegúrese de que el horno de pared está a nivel

1. Instale una rejilla al centro del horno superior (vea la Figura 11).
2. Ponga un nivel por encima de la rejilla. Lea 2 veces, una vez con el nivel a la posición de lado a lado, y otra vez de atrás hacia adelante. Utilice trozo de madera o cuñas por debajo del horno de pared para nivelar, si sea necesario .
3. Vuelve a empezar en el horno inferior. Si el nivel muestra que la rejilla no esta a nivel, utilice trozo de madera o cuñas para componer ambos hornos.



IMPORTANTE

Un ventilador ubicado dentro de la parte trasera superior arriba del horno (en algunos modelos) permite la refrigeración de los componentes eléctricos y electrónicos de enfriamiento. Si el horno ha estado funcionando a altas temperaturas, el ventilador seguirá funcionando después de apagar el horno.

7. Verificación del funcionamiento

Su modelo está equipado con un **Control Electrónico de Horno**. Cada una de las funciones ha sido controlada en fábrica antes del despacho. Sin embargo, le sugerimos verificar el funcionamiento de los controles electrónicos una vez más. Consulte la **Guía de Uso y Cuidado** o la **Guía del controles** para ver el funcionamiento del horno.

1. Extraer todos los elementos de la parte interior del horno.
2. Encender el horno (Consultar la Guía de Uso y Cuidado.)
3. Verificar el funcionamiento de los controles electrónicos del horno:

Hornear – Verificar que esta función caliente el horno. Veinte minutos después de encender el horno, abrir la puerta y ver si se siente que el calor emana desde su interior.

Asar– **Cuando** se pone el horno para asar, el elemento de arriba del horno debe de ponerse rojo.

Convección (algunos modelos) – Cuando se configura el horno para horneado o asado por convección, los dos elementos se encienden y apagan en forma alterna y se enciende el ventilador. El ventilador de convección dejará de funcionar cuando se abre la puerta del horno durante el horneado o asado por convección.

Ubicación del número de modelo y de serie

La placa con el número de serie está ubicada en la garnición interior lateral del horno y se puede ver cuando se abre la puerta.

Cuando haga pedidos de repuestos o solicite información con respecto a su horno, esté siempre seguro de incluir el número de modelo y de serie y el número o letra del lote de la placa de serie de su horno.

Antes de llamar al servicio

Lea la sección Lista de Control de Averías en su Manual del Usuario. Esto le podrá ahorrar tiempo y gastos. Esta lista incluye ocurrencias comunes que no son el resultado de defectos de materiales o fabricación de este artefacto.

Lea la garantía y la información sobre el servicio en su **Manual del Usuario** para obtener el número de teléfono gratuito.

INSTRUCTIONS D'INSTALLATION POUR FOUR ENCASTRÉ ÉLECTRIQUE

(Combiné à une table de cuisson électrique ou à gaz (en option))

L'INSTALLATION ET L'ENTRETIEN DOIVENT ÊTRE EFFECTUÉS PAR UN INSTALLATEUR QUALIFIÉ. IMPORTANT : CONSERVEZ POUR L'INSPECTEUR D'ÉLECTRICITÉ LOCAL. LISEZ ET CONSERVEZ CES INSTRUCTIONS POUR RÉFÉRENCES ULTÉRIEURES.

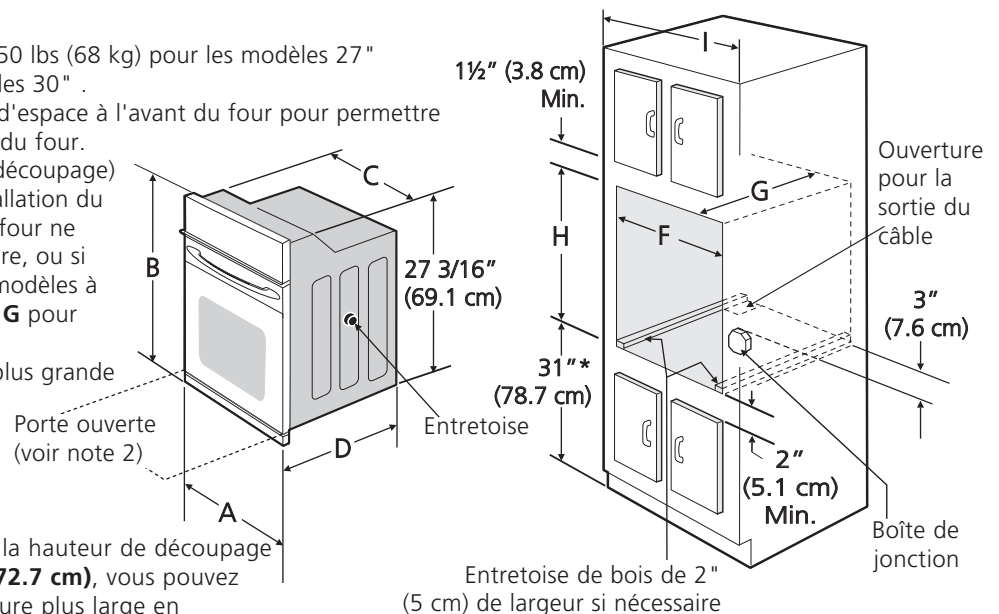
⚠ AVERTISSEMENT POUR VOTRE SÉCURITÉ : N'entreposez pas ou n'utilisez pas d'essence ou d'autres produits inflammables à proximité de cet appareil ou de tout autre appareil électroménager.

Votre nouveau four encastré a été conçu pour s'ajuster à différentes dimensions de découpage et en faciliter l'installation. La première étape de votre installation consiste à mesurer les dimensions du découpage actuel et, à les comparer au tableau de dimensions de découpage ci-dessous. Vous découvrirez peut-être que peu ou pas de modification sera nécessaire.

⚠ AVERTISSEMENT N'enlevez pas les entretoises sur les parois latérales et/ou à l'arrière du four. Ces entretoises centrent le four dans l'espace fourni. Le four doit être centré pour prévenir une accumulation excessive de chaleur pouvant causer un feu ou des dommages.

NOTE:

1. La Base doit pouvoir supporter 150 lbs (68 kg) pour les modèles 27" et 200 lbs (90 kg) pour les modèles 30" .
2. Allouez au moins 21" (53.3 cm) d'espace à l'avant du four pour permettre l'ouverture complète de la porte du four.
3. La dimension **G** (profondeur du découpage) est critique pour une bonne installation du four. Si la moulure inférieure du four ne vient pas s'accoter contre l'armoire, ou si un bruit se fait entendre sur les modèles à convection, vérifiez la dimension **G** pour vous assurer qu'elle est correcte.
4. Si la hauteur de découpage est plus grande que **28 1/8" (71.4 cm)**, ajoutez une entretoise de bois de 2" (5 cm) de largeur et de hauteur appropriée de chaque côté de l'ouverture sous l'appareil.
5. **MODÈLES 30" SEULEMENT:** Si la hauteur de découpage (**H**) est plus grande que **28 5/8" (72.7 cm)**, vous pouvez commander une moulure inférieure plus large en contactant un Centre de service et demandant la pièce #318259703 (pour les modèles blancs), 318259704 (pour les modèles noirs), 318259705 (pour les modèles biscuits) ou 318259707 (pour les modèles en acier inoxydable).



* La distance suggérée du plancher est 31" (78.7 cm). La distance minimale requise est 4 1/2" (11.4 cm).

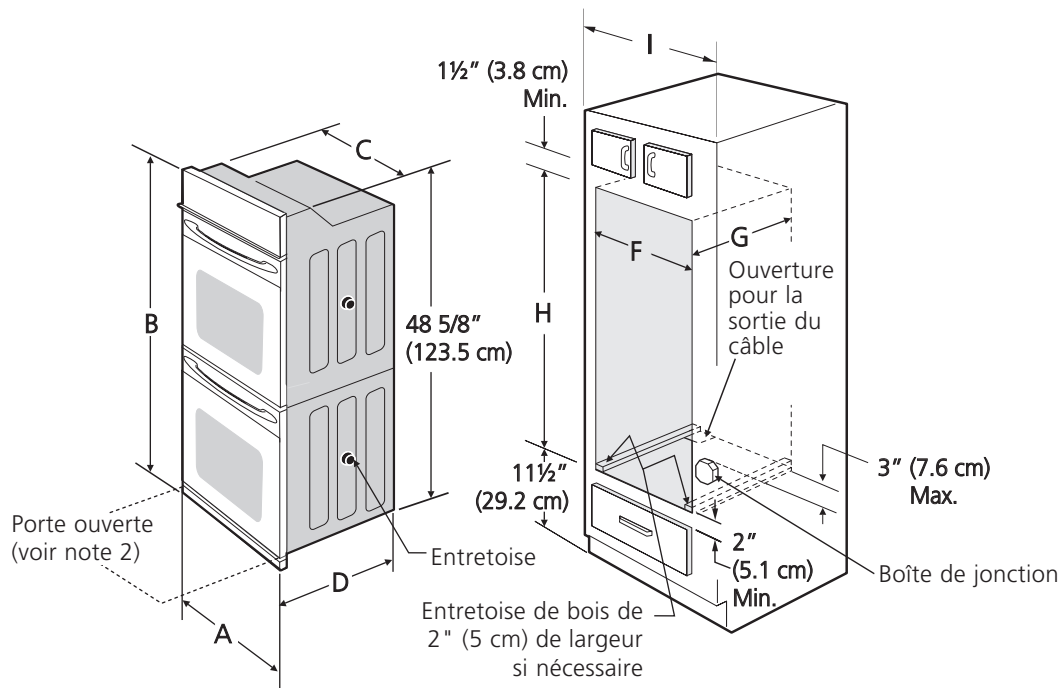
Figure 1
Fours encastrés simples 27" et 30" (Pour les fours encastrés doubles voir la figure 2)

DIMENSIONS DE L'APPAREIL								
MODÈLE	A		B	C		D		
Four encastré 27" (68.6 cm)	27 (68.6)		29 (73.7)	24 5/8 (62.5)		24 1/2 (62.2)		
Four encastré 30" (76.2 cm)	30 (76.2)		29 (73.7)	28 1/4 (71.8)		24 1/2 (62.2)		
DIMENSIONS DE DÉCOUPAGE ET DE L'ARMOIRE								
MODÈLE	Min.	F	Max.	G (Min.)	Min.	H	Max.	I
Four encastré 27" (68.6 cm)	24 7/8 (63.2)		25 1/4 (64.1)	23 1/2 (59.7)	27 1/4 (69.2)		28 5/8 (72.7)	27 1/8 (68.9) Min
Four encastré 30" (76.2 cm)	28 1/2 (72.4)		29 (73.7)	23 1/2 (59.7)	27 1/4 (69.2)		28 5/8 (72.7)	30 1/8 (76.5) Min

INSTRUCTIONS D'INSTALLATION POUR FOUR ENCASTRÉ ÉLECTRIQUE

(Combiné à une table de cuisson électrique ou à gaz (en option))

⚠ AVERTISSEMENT N'enlevez pas les entretoises sur les parois latérales et/ou à l'arrière du four. Ces entretoises centrent le four dans l'espace fourni. Le four doit être centré pour prévenir une accumulation excessive de chaleur pouvant causer un feu ou des dommages.



NOTES:

1. La Base doit pouvoir supporter 300 lbs (136 kg) pour les modèles 27" et 375 lbs pour les modèles 30".
2. Allouez au moins 21" (53.3 cm) d'espace à l'avant du four pour permettre l'ouverture complète de la porte du four.
3. La dimension **G** (profondeur du découpage) est critique pour une bonne installation du four. Si la moulure inférieure du four ne vient pas s'accoter contre l'armoire, ou si un bruit se fait entendre sur les modèles à convection, vérifiez la dimension **G** pour vous assurer qu'elle est correcte.
4. Si la hauteur de découpage est plus grande que **49 1/2" (125.7 cm)**, ajoutez une entretoise de bois de 2" (5 cm) de largeur et de hauteur appropriée de chaque côté de l'ouverture sous l'appareil.
5. **MODÈLES 30" SEULEMENT:** Si la hauteur de découpage (**H**) est plus grande que **49 7/8" (126.7 cm)**, vous pouvez commander une moulure inférieure plus large en contactant un Centre de service.

Figure 2

Fours encastrés doubles 27" et 30" (Pour les fours encastrés simples voir la figure 1)

DIMENSIONS DE L'APPAREIL						
MODÈLE	A	B	C	D		
Fours encastrés 27" (68.6 cm)	27 (68.6)	50 ⁷ / ₁₆ (128.1)	24 ⁵ / ₈ (62.5)	24 ¹ / ₂ (62.2)		
Fours encastrés 30" (76.2 cm)	30 (76.2)	50 ⁷ / ₁₆ (128.1)	28 ¹ / ₄ (71.8)	24 ¹ / ₂ (62.2)		
DIMENSIONS DE DÉCOUPAGE ET DE L'ARMOIRE						
MODEL	Min. F	Max.	G (Min.)	Min. H	Max.	I
Fours encastrés 27" (68.6 cm)	24 ⁷ / ₈ (63.2)	25 ¹ / ₄ (64.1)	23 ¹ / ₂ (59.7)	48 ⁷ / ₈ (124.1)	49 ⁷ / ₈ (126.7)	27 ¹ / ₈ (68.9) Min
Fours encastrés 30" (76.2 cm)	28 ¹ / ₂ (72.4)	29 (73.7)	23 ¹ / ₂ (59.7)	48 ⁷ / ₈ (124.1)	49 ⁷ / ₈ (126.7)	30 ¹ / ₈ (76.5) Min

Toutes les dimensions sont en pouces (cm).

INSTRUCTIONS D'INSTALLATION POUR FOUR ENCASTRÉ ÉLECTRIQUE

(Combiné à une table de cuisson électrique ou à gaz (en option))

Installateur

1. Lisez toutes les instructions contenues dans ce feuillet avant d'installation de four encastré.
2. Enlevez tout le matériel d'emballage du four avant de procéder au raccordement électrique.
3. Observez tous les codes et règlements applicables.
4. Assurez-vous de laisser ces instructions au consommateur.
5. La porte du four peut être enlevée pour faciliter l'installation.
5. **CE FOUR N'EST PAS HOMOLOGUÉ POUR UNE INSTALLATION CÔTE-À-CÔTE OU SUPERPOSÉE.**

Consommateur

Conservez ces instructions avec votre Manuel d'utilisation et d'entretien pour références futures.

DIRECTIVES IMPORTANTES DE SÉCURITÉ

- **Assurez-vous que votre four encastré est installé et mis à la terre conformément par un installateur ou un technicien de service qualifié.**
- **Ce four encastré doit être mis à la terre conformément aux codes locaux d'électricité ou, en leurs absences, en conformité avec le National Electrical Code ANSI/NFA No. 70, dernière édition aux États-Unis, ou avec la norme ACNOR C22.1, Partie 1, au Canada.**

⚠ AVERTISSEMENT Grimper, vous appuyer ou vous asseoir sur la porte de ce four encastré peut entraîner des blessures graves et peut aussi causer des dommages au four encastré.

- **N'utilisez jamais votre four encastré pour chauffer ou réchauffer la pièce.** L'utilisation prolongée du four encastré sans ventilation adéquate peut être dangereuse.

⚠ AVERTISSEMENT Il faut couper l'alimentation électrique durant le montage des connexions électriques. À défaut de ce faire il peut en résulter des blessures graves ou la mort.

1. Travaux de menuiserie

Reportez-vous à la figure 1 ou à la figure 2 pour établir quelles sont les dimensions applicables à votre modèle, ainsi que l'espace nécessaire pour recevoir l'appareil. La surface qui supporte l'appareil doit être en contre-plaqué solide ou tout autre matériau du même type. Il faut vous assurer que la surface est de niveau d'un côté à l'autre et de l'avant à l'arrière.

2. Exigences électriques

Ces appareils doivent être branchés sur une alimentation possédant la tension et la fréquence appropriées et connecté à un seul circuit correctement mis à la terre et protégé par un disjoncteur ou un fusible correspondant à l'intensité indiquée sur la plaque signalétique (la plaque signalétique est située sur le châssis du four).

Observez tous les règlements et les codes locaux applicables.

1. Un câble électrique à 3 ou 4 fils de 120/240 ou 120/208 Volt monophasé, 60 Hz CA est requis sur un circuit séparé muni d'un fusible sur chaque fil conducteur (fusible temporisé ou disjoncteur recommandé). **NE RELIEZ pas de fusible au neutre.** La capacité du fusible ne doit pas excéder la capacité nominale du circuit de l'appareil spécifiée sur la plaque signalétique. Seulement certains modèles de tables de cuisson peuvent être installés au-dessus de certains modèles de fours encastrés. Les modèles approuvés pour être combinés sont identifiés à l'aide d'un numéro MGF ID (Consultez la feuille qui se trouve dans l'enveloppe de littérature).
2. Les fours encastrés simples peuvent consommer jusqu'à 4000W à 240 Vac; utiliser un circuit de 30Amp avec un fil #8 AWG de grosseur. Les fours encastrés doubles peuvent consommer jusqu'à 8000W à 240 Vac; utiliser un circuit de 40Amp avec un fil #8 AWG de grosseur.

NOTE: Le calibre des fils et leurs connexions doivent être conformes à la capacité des fusibles et à la capacité nominale de l'appareil, selon le National Electrical Code ANSI/NFPA No. 70, dernière édition, ou selon la norme ACNOR C22,1, Partie 1, du Code canadien de l'électricité et les codes et les règlements locaux.

⚠ AVERTISSEMENT N'utilisez pas de rallonge électrique avec ces appareils. Son utilisation peut causer un feu, un choc électrique ou des blessures corporelles.

Si vous avez besoin d'un câble armé plus long, vous pouvez commander et acheter le kit Câble armé de 10' (3 m) (#903056-9010) en téléphonant au centre de service.

3. Il faut brancher ces appareils au panneau de distributions en utilisant des câbles flexibles à gaine métallique ou non métallique. On doit brancher directement à la boîte de jonction le câble gainé flexible de l'appareil. Il faut disposer la boîte de jonction tel qu'illustré à la Figure 1 ou 2 en laissant autant de lâche que possible dans le câble entre la boîte et l'appareil, pour en faciliter le déplacement si l'entretien s'avère nécessaire.
4. Une attache de protection sécuritaire doit retenir le câble armé flexible à la boîte de jonction.

INSTRUCTIONS D'INSTALLATION POUR FOUR ENCASTRÉ ÉLECTRIQUE

(Combiné à une table de cuisson électrique ou à gaz (en option))

⚠ AVERTISSEMENT

Risque de choc électrique

- La mise à la terre de cet appareil est obligatoire.
- Ne branchez pas l'appareil au circuit électrique tant qu'il ne sera pas mis à la terre correctement et en permanence.
- Coupez l'alimentation à la boîte de jonction avant de faire les raccords électriques.
- Cet appareil doit être connecté à un circuit permanent électrique, métallique et mis à la terre, ou à un connecteur de mise à la terre qui doit être branché à la borne ou au fil de mise à la terre de l'appareil.
- N'utilisez pas un tuyau d'alimentation de gaz pour la mise à la terre de l'appareil.

Si vous ne respectez pas toutes les instructions précédentes, un feu, des blessures corporelles ou un choc électrique peuvent en résulter.

⚠ ATTENTION Par temps froid, pour protéger la commande du four, il faut attendre au moins trois (3) heures à la température de la pièce avant de mettre l'appareil sous tension. Ceci évitera toute possibilité d'endommager la commande du four lors de la mise sous tension.

3. Réglage de la hauteur du four encastré

Lorsque requis, ce four peut être ajusté en hauteur avec une entretoise en bois d'une largeur de 2" (5 cm) pour en permettre l'installation dans le découpage existant d'une armoire, si la hauteur du découpage excède la dimension **28¹/₈" (71.4 cm)** pour un four encastré simple ou **49¹/₂" (125.7 cm)** pour un four encastré double (voir la figure 1 ou 2). Placez l'entretoise de hauteur appropriée de chaque côté de l'ouverture sous l'appareil.

4. Connexions électriques

Le consommateur est responsable et doit communiquer avec un installateur qualifié pour s'assurer que l'installation électrique est adéquate et conforme avec le National Electrical Code ANSI/NFPA No. 70-dernière édition, ou avec la norme ACNOR C22.1, partie 1, du code canadien de l'électricité, et les codes et règlements locaux.

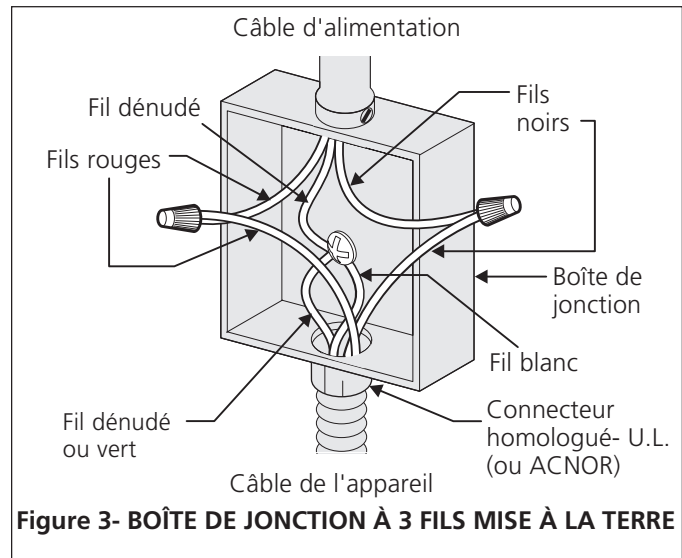
La mise à la terre de ces appareils est obligatoire.

Ces appareils sont munis d'un câble conducteur en cuivre flexible. Si la connexion est faite à un filage résidentiel en aluminium, utilisez seulement des connecteurs spéciaux approuvés pour le raccord de fils en cuivre et à des fils en aluminium conformes au National Electrical Code et aux codes et ordonnances locaux.

Ces appareils sont fabriqués avec un fil d'alimentation neutre blanc et un fil dénudé en cuivre de mise à la terre connecté au châssis.

Si les codes locaux permettent la connexion du fil de mise à la terre du châssis au neutre (blanc) (aux États-Unis seulement) (voir figure 3):

1. Coupez l'alimentation à la boîte de jonction.
2. Dans la boîte de jonction:
Raccordez les fils de l'appareil à ceux du circuit électrique tel que montré à la figure 3.



⚠ AVERTISSEMENT La connexion inappropriée du circuit résidentiel en aluminium à des fils en cuivre peut entraîner un court-circuit ou un feu. N'utilisez que des connecteurs conçus pour joindre des fils de cuivre à ceux d'aluminium, en suivant bien attentivement les directives recommandées par le fabricant.

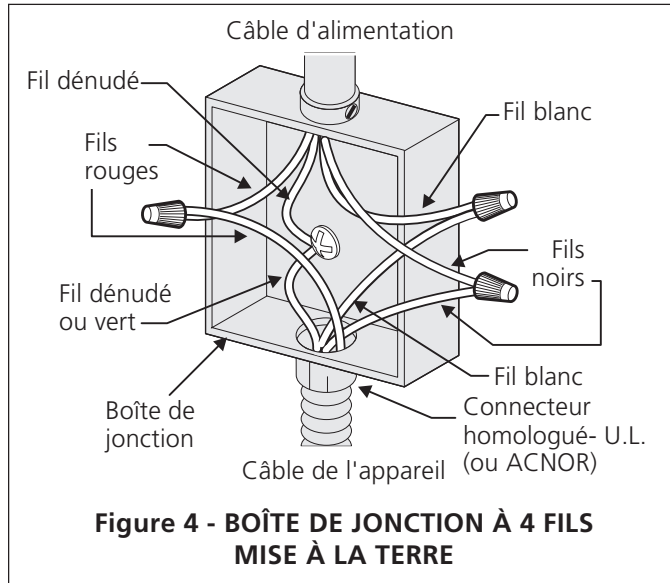
⚠ AVERTISSEMENT Mise à la terre du châssis au neutre. Si l'appareil est utilisé dans une maison mobile, un nouveau branchement (1996 NEC), un véhicule récréatif ou si les codes locaux n'autorisent pas la connexion du conducteur de mise à la terre du châssis au neutre. Lorsque les codes n'autorisent pas la connexion du conducteur de mise à la terre du châssis au neutre, vous devez utiliser un câble à 4 fils. Voir la figure 4. Si vous ne suivez pas cet avertissement vous vous exposez à un électrocution ou à d'autres blessures sérieuses.

INSTRUCTIONS D'INSTALLATION POUR FOUR ENCASTRÉ ÉLECTRIQUE

(Combiné à une table de cuisson électrique ou à gaz (en option))

Si l'appareil est utilisé dans une maison mobile, un nouveau branchement (1996 NEC), un véhicule récréatif ou si les codes locaux N'AUTORISENT PAS la connexion du conducteur de mise à la terre du châssis au neutre (voir le figure 4):

1. Coupez l'alimentation à la boîte de jonction.
2. Séparez le fil blanc du fil dénudé en cuivre de mise à la terre du câble d'alimentation de l'appareil.
3. Dans la boîte de jonction:
Raccordez les fils de l'appareil à ceux du circuit électrique tel que montré à la figure 4.



NE connectez pas le fil de mise à la terre à un tuyau d'alimentation de gaz. Ne branchez pas l'appareil au circuit électrique avant qu'il soit mis à la terre correctement, en permanence. Branchez le conducteur de mise à la terre avant de mettre l'appareil sous tension (Figure 3).

ATTENTION Si la connexion a été faite en utilisant un système électrique à 4 fils, le châssis de l'appareil NE DOIT PAS être branché au fil neutre du câble à 4 fils.

ÉLECTRICIEN: Le câble gainé fourni avec cet appareil est homologué par UL pour connexion à des circuits résidentiels de fils de calibre supérieur. La capacité thermique de l'isolant des câbles excède considérablement celle des circuits résidentiels. La transmission du courant électrique maximum permise des fils du câble est fonction de la capacité thermique de la gaine plutôt que du calibre du fil.

AVERTISSEMENT

Risque de lourde charge

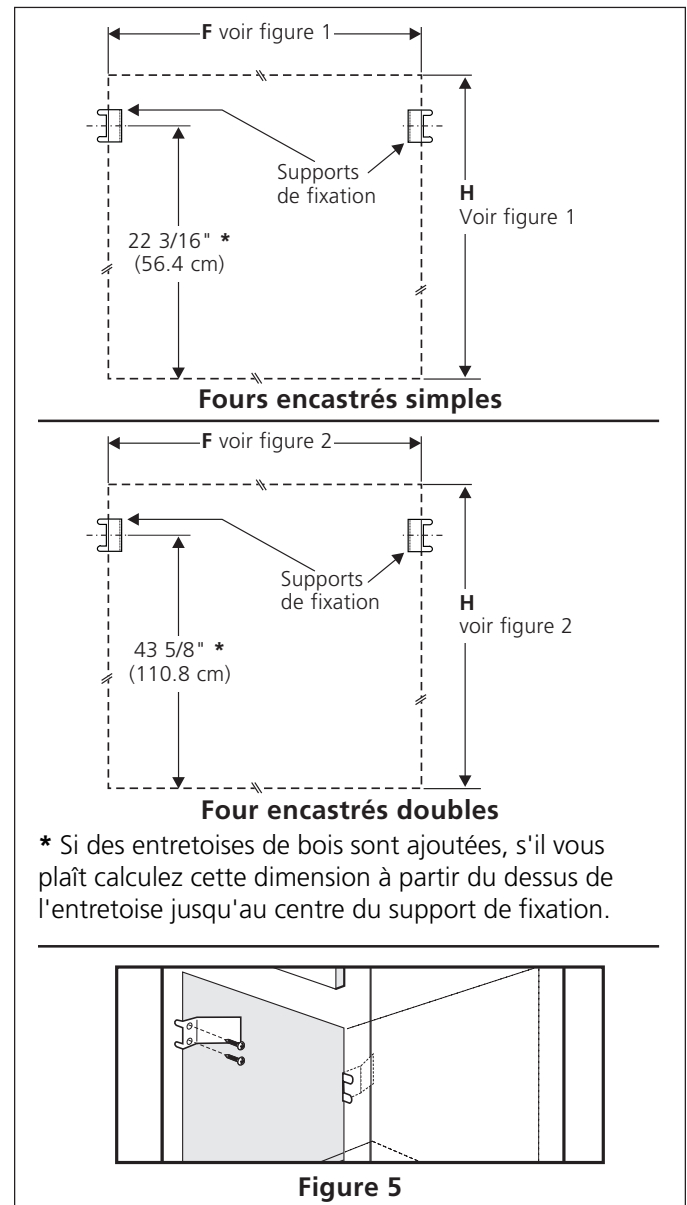
- Soyez 2 personnes ou plus pour installer ou déplacer l'appareil.
- Des blessures ou des dommages à l'appareil peuvent survenir si vous ne suivez pas cette instruction.

5. Installation dans l'armoire

AVERTISSEMENT Le four encastré peut basculer quand la porte est ouverte. Il faut fixer l'appareil à l'armoire, à l'aide des supports de fixation fournis, pour prévenir le basculement du four et des blessures corporelles.

Instructions d'installation des supports de fixation

1. Déballez le four encastré et récupérez la moulure inférieure qui est fixée sur le côté du four ainsi que les supports et les vis de fixation compris dans l'emballage contenant la littérature.
2. Installez les supports de fixation tel qu'indiqué à la figure 5. **Note:** Pour éviter d'endommager l'armoire, il est recommandé de percer des trous de 1/16" (0.16 cm) de diamètre avant de visser les supports de fixation.



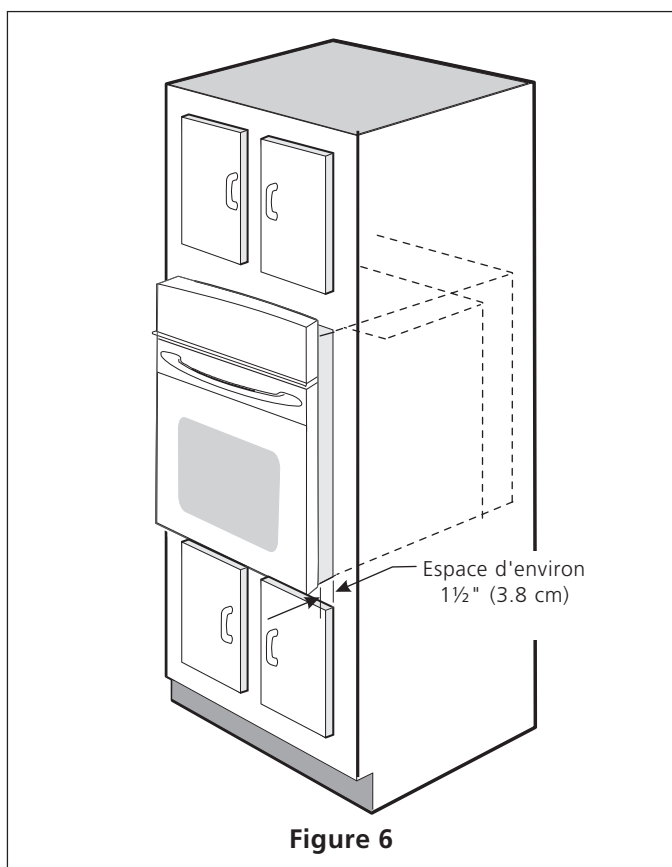
INSTRUCTIONS D'INSTALLATION POUR FOUR ENCASTRÉ ÉLECTRIQUE

(Combiné à une table de cuisson électrique ou à gaz (en option))

IMPORTANT

Ne soulevez pas le four encastré par la poignée de la porte.

3. Insérez l'unité dans le découpage de l'armoire. Glissez l'unité vers l'intérieur en laissant un espace de 1½" (3.8 cm) entre le four et le devant de l'armoire (voir figure 6). Tout en glissant l'appareil vers l'intérieur, tirez le câble gainé à travers le trou du plancher de l'armoire et vers la boîte de jonction.

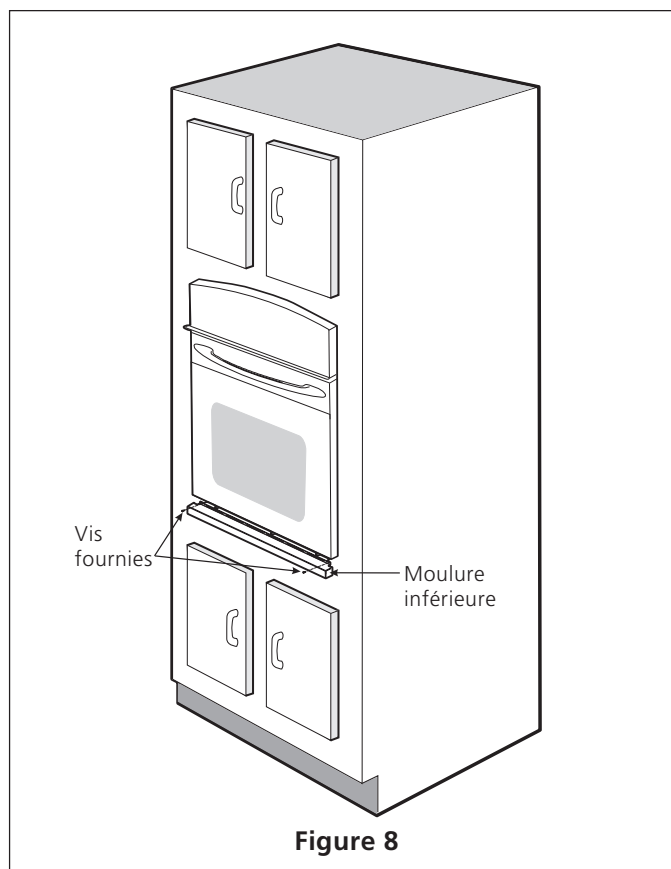
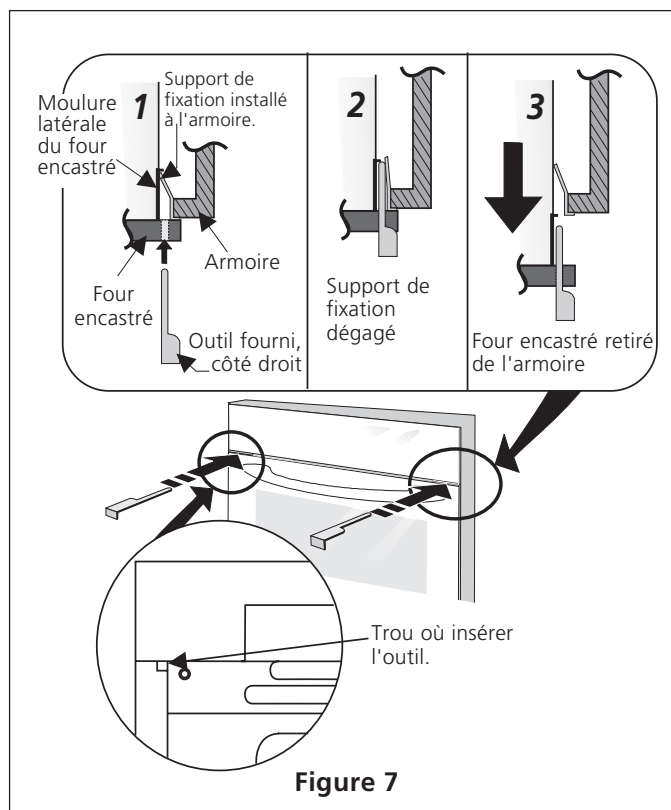


4. Poussez l'appareil à l'intérieur contre l'armoire, les supports anti-bascules situés sur le côté de l'appareil se fixeront derrière ceux qui viennent d'être installés au cabinet.

Pour retirer le four du cabinet pour l'entretien, insérez les outils fournis avec l'appareil dans les ouvertures situés sur les côtés du châssis et visible lorsque la porte est ouverte (voir la figure 7).

5. Installation de la moulure inférieure:

Placez le haut de la moulure inférieure par dessus les petites languettes de chaque côté du four encastré, sous la porte. Vissez la moulure dans les trous situés de chaque côté de l'appareil en utilisant les vis fournies avec la moulure (voir la figure 8).



INSTRUCTIONS D'INSTALLATION POUR FOUR ENCASTRÉ ÉLECTRIQUE

(Combiné à une table de cuisson électrique ou à gaz (en option))

6. L'installation typique d'un four encastré électrique sous le comptoir est présentée à la figure 9.

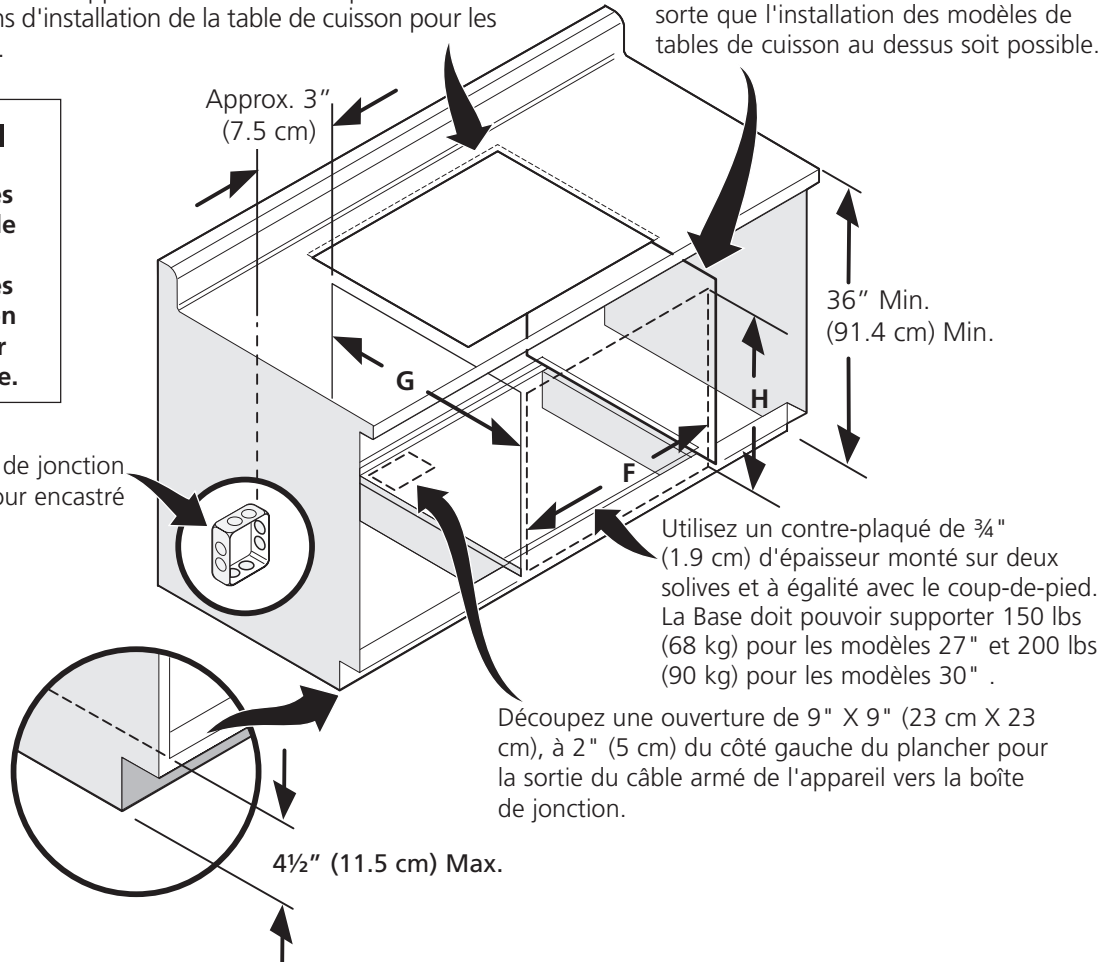
Seulement certains modèles de tables de cuisson peuvent être installés au-dessus de certains modèles de fours encastrés. Les modèles approuvés pour être combinés sont identifiés à l'aide d'un numéro MGF ID et d'un code de produit (Consultez la feuille qui se trouve dans l'enveloppe de littérature ainsi que le feuillet d'instructions d'installation de la table de cuisson pour les dimensions).

Il faut fermer les côtés de l'habitacle par des panneaux de bois pour isoler l'appareil des armoires de chaque côté. La hauteur de ces panneaux doit faire en sorte que l'installation des modèles de tables de cuisson au dessus soit possible.

⚠ AVERTISSEMENT

Pour réduire les risques de blessures et pour empêcher le four encastré de basculer. Utilisez les supports de fixation pour retenir le four encastré à l'armoire.

208/240 Volt Boîte de jonction pour le four encastré



Utilisez un contre-plaqué de $\frac{3}{4}$ " (1.9 cm) d'épaisseur monté sur deux solives et à égalité avec le coup-de-pied. La Base doit pouvoir supporter 150 lbs (68 kg) pour les modèles 27" et 200 lbs (90 kg) pour les modèles 30" .

Découpez une ouverture de 9" X 9" (23 cm X 23 cm), à 2" (5 cm) du côté gauche du plancher pour la sortie du câble armé de l'appareil vers la boîte de jonction.

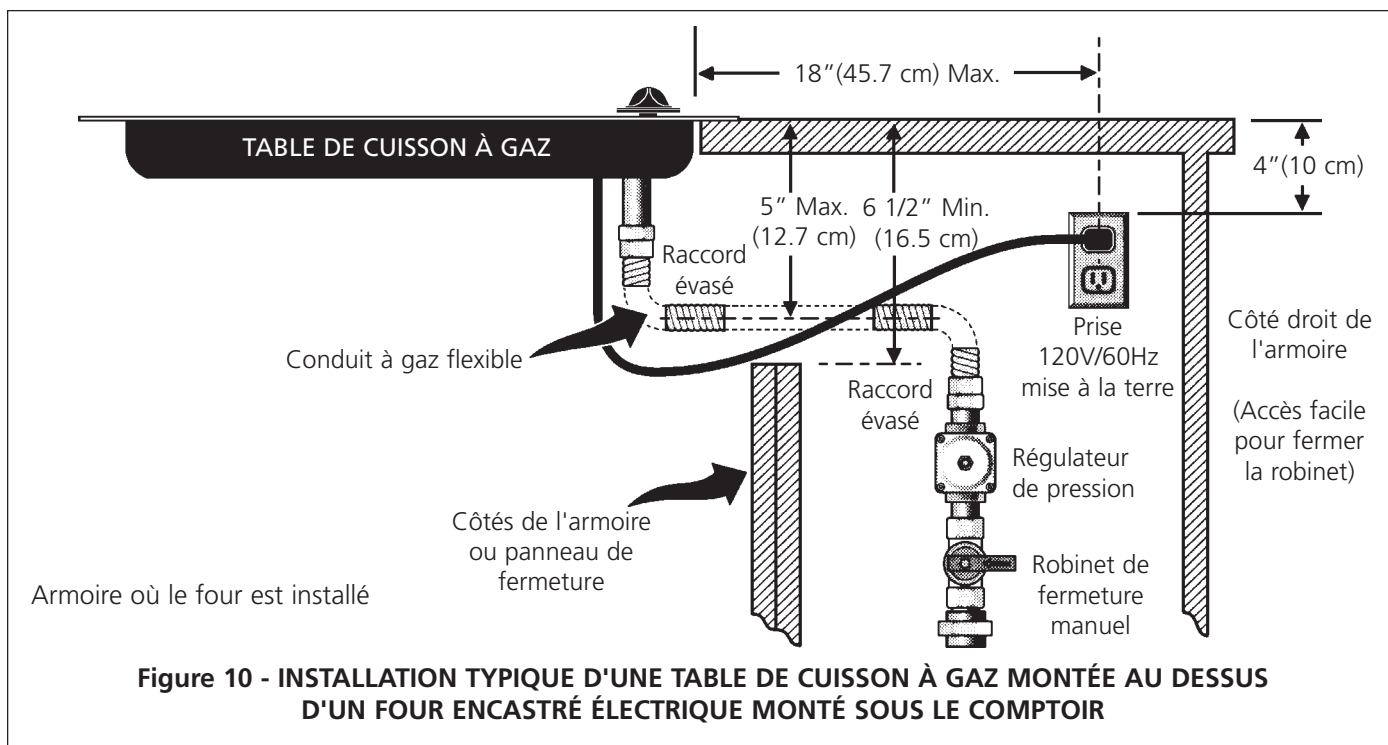
DIMENSIONS DE L'OUVERTURE

	F. LARGEUR	G.PROFONDEUR	H.HAUTEUR
Four encastré 27" (68.6 cm)	24 $\frac{7}{8}$ " (63.2 cm) Min. 25 $\frac{1}{4}$ " (64.1 cm) Max.	23 $\frac{1}{2}$ " (59.7 cm) Min.	27 $\frac{1}{4}$ " (69.2 cm) Min. 28 $\frac{5}{8}$ " (72.7 cm) Max.
Four encastré 30" (76.2 cm)	28 $\frac{1}{2}$ " (72.4 cm) Min. 29" (73.7 cm) Max.	23 $\frac{1}{2}$ " (59.7 cm) Min.	27 $\frac{1}{4}$ " (69.2 cm) Min. 28 $\frac{5}{8}$ " (72.7 cm) Max.

Figure 9 - INSTALLATION TYPIQUE D'UN FOUR ENCASTRÉ SIMPLE SOUS LE COMPTOIR AVEC UNE TABLE DE CUISSON ÉLECTRIQUE OU À GAZ INSTALLÉE PAR-DESSUS

INSTRUCTIONS D'INSTALLATION POUR FOUR ENCASTRÉ ÉLECTRIQUE

(Combiné à une table de cuisson électrique ou à gaz (en option))



INSTRUCTIONS D'INSTALLATION POUR FOUR ENCASTRÉ ÉLECTRIQUE

(Combiné à une table de cuisson électrique ou à gaz (en option))

7. Mise à niveau du four encastré

1. Installez une grille au centre du four supérieur.
2. Déposez un niveau à bulle sur la grille (voir la figure 11). Prenez 2 lectures en plaçant le niveau en diagonale dans une direction, puis dans l'autre direction. Utilisez des entretoises de bois sous le four encastré pour niveler si nécessaire.
3. Si vous avez un four encastré double, répétez les mêmes étapes dans le four inférieur. Si le niveau à bulle indique que la grille n'est pas à niveau, utilisez des entretoises de bois pour trouver un ajustement adéquat pour les deux fours.

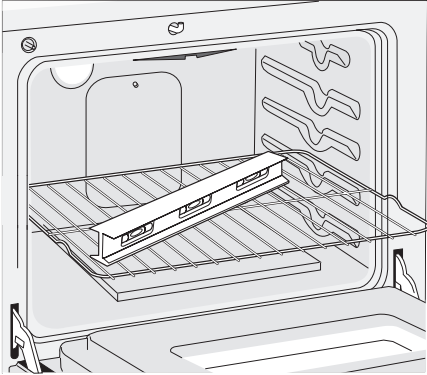


Figure 11

NOTE IMPORTANTE

Une soufflerie située dans la partie interne supérieure à l'arrière de l'appareil permet de garder les composants électriques et électroniques internes froids. Il est donc possible que la soufflerie continue de fonctionner même après l'arrêt de l'appareil, et ce, jusqu'à ce que les composants aient refroidi.

5. Vérification du fonctionnement

Si votre appareil possède une **commande électronique de four**. Toutes les fonctions qu'elle contrôle ont été vérifiées en usine pour leur bon fonctionnement avant que l'appareil soit expédié. Cependant, nous vous suggérons de vérifier le fonctionnement de la commande électrique à nouveau. Reportez-vous à votre [Manuel d'utilisation et d'entretien](#) ou au [feuille minuterie](#) pour le réglage de la commande électronique.

1. Retirez tous les items du four avant de procéder à la vérification.
2. Mettez l'appareil sous tension.
3. Vérifiez les opérations de la commande électronique:
 - Cuisson**—Vérifier que lorsque le four est en fonction cuisson, l'élément de cuisson chauffe. 20 secondes après avoir programmé le four en mode cuisson, si en ouvrant la porte vous sentez de la chaleur s'échapper du four, c'est qu'il fonctionne.
 - Grillage**—L'élément du haut rougit lorsque le four est réglé pour le mode grillage.
 - Convection (certains modèles)**—Si le four est réglé pour la cuisson ou le rôtissage par convection, les deux éléments cyclent et le ventilateur convection situé à l'arrière tourne. Le ventilateur convection arrête lorsque l'on ouvre la porte du four.

Emplacement du numéro de modèle et de série

La plaque signalétique est située sur le côté intérieur de la moulure latérale.

Pour toute commande de pièces ou demande de renseignement au sujet de votre appareil, assurez-vous d'inclure le numéro de modèle et de série, ainsi que le numéro ou lettre de lot de la plaque signalétique de votre four.

Avant d'appeler le service d'entretien

Réviser la liste de vérifications préventives et les instructions d'opération dans votre [Manuel d'utilisation et d'entretien](#). Vous sauvez probablement du temps et de l'argent. La liste contient les incidents ordinaires ne résultant pas de défauts dans le matériel ou la fabrication de cet appareil.

Pour obtenir nos adresse et numéro de téléphone sans frais, référez-vous à votre [Manuel d'utilisation et d'entretien](#).

INSTRUCTIONS D'INSTALLATION POUR FOUR ENCASTRÉ ÉLECTRIQUE

(Combiné à une table de cuisson électrique ou à gaz (en option))

Notes