

*Frigidaire*

Factory Parts Catalog

Product No.	GLEB30S9FBA	GLEB30S9FQA	GLEB30S9FSA
	38256361G6061	38256361G6041	38256361G6011
Series	30" single	30" single	30" single
Color	black	bisque	white
Market	North America	North America	North America
Wiring Diagram	318046235	318046235	318046235
Owner's Guide	318200924	318200924	318200924
Installation Instructions	318201514	318201514	318201514
Service Data Sheet	318047414	318047414	318047414
Timer Guide	318200197	318200197	318200197

 **Electrolux**

Electrolux Major Appliances  
 North & Latin America  
 P.O. BOX 212378  
 AUGUSTA, GA 30917

Publication No.  
**5995470852**  
 06/07/26  
 (EN/SERVICE/ECL)  
 377

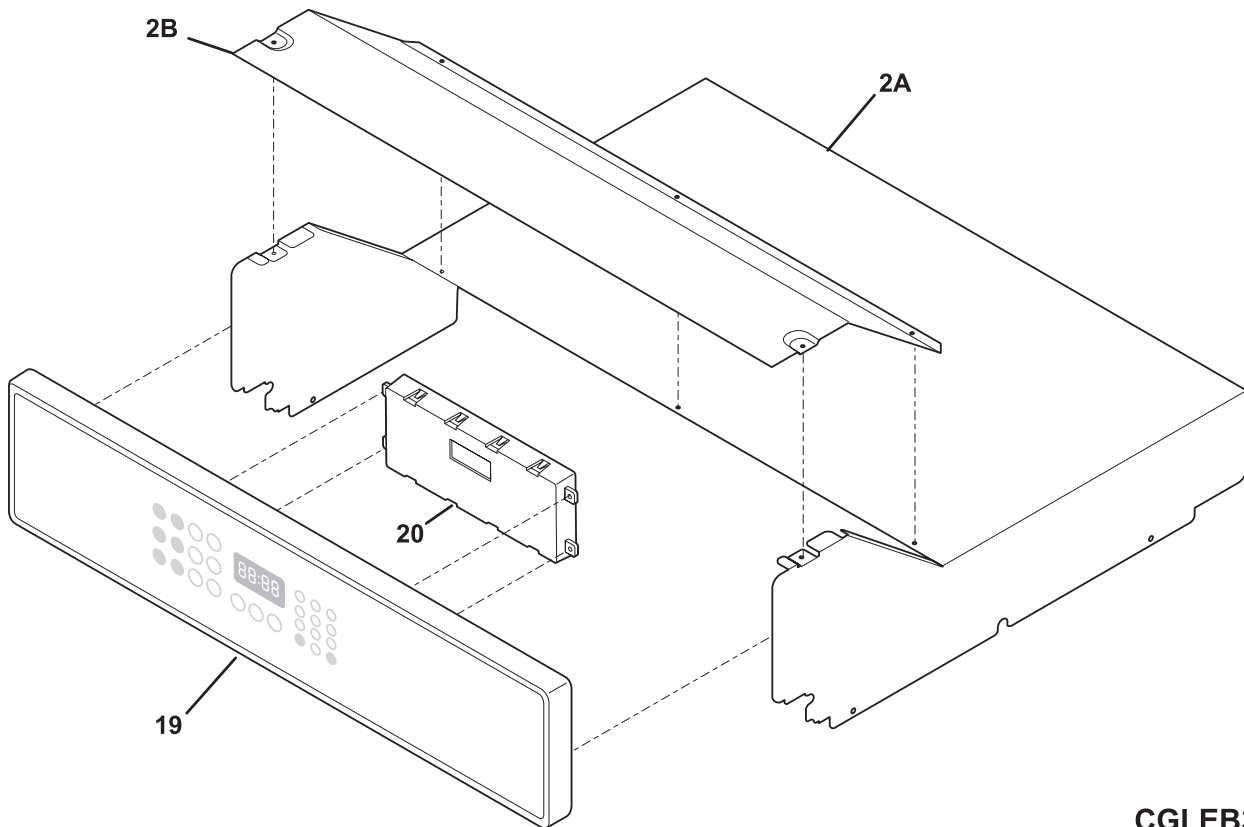
**SINGLE ELECTRIC  
 WALL OVEN**

Model No.  
**GLEB30S9F**

Copyright © 2006 Electrolux Home Products, Inc.  
 All rights reserved.

**CONTROL PANEL**

---



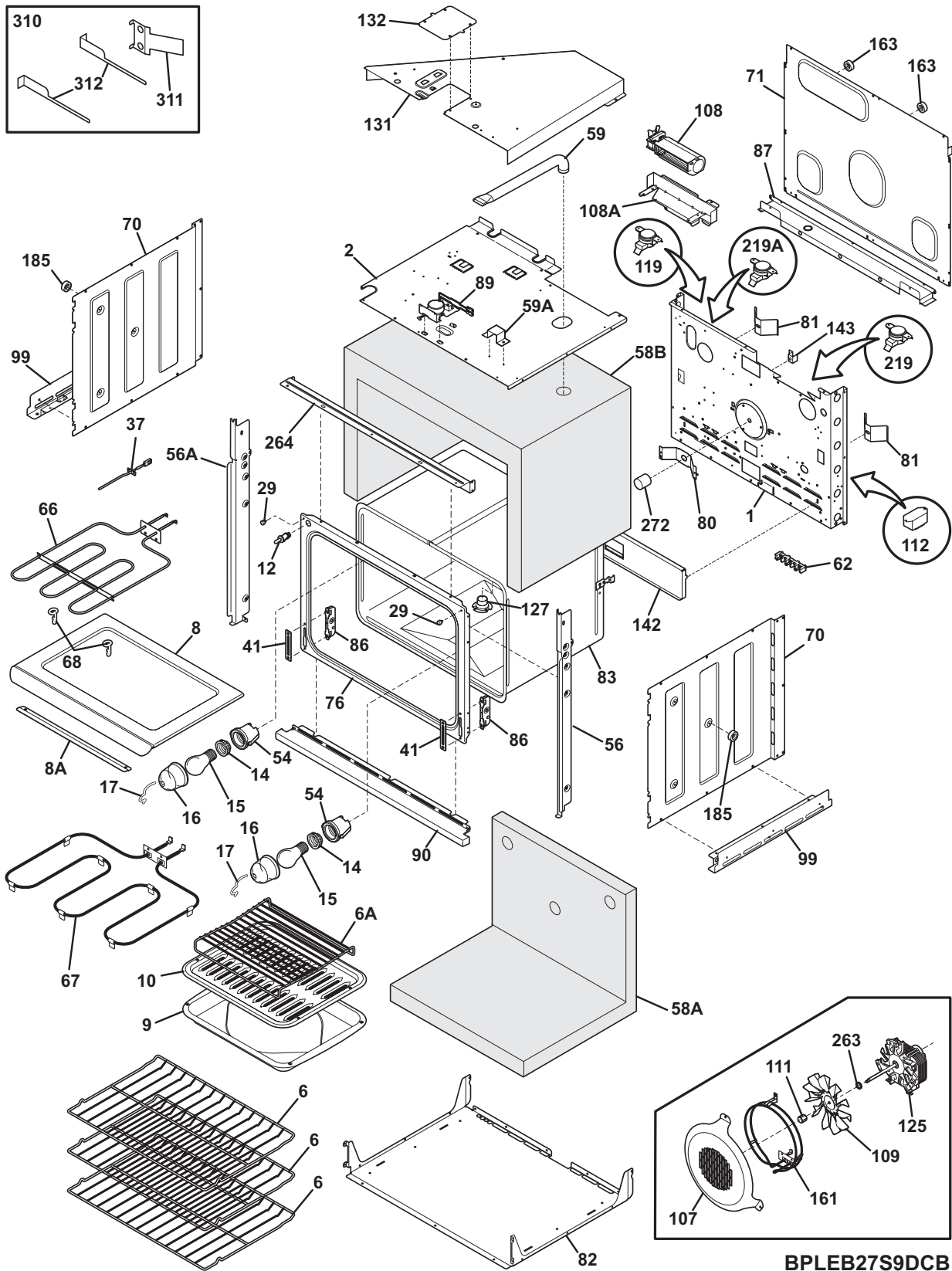
**CGLEB30S9DSA**

**CONTROL PANEL**

*Model Index:* A GLEB30S9F (GLEB30S9FSA)  
 B GLEB30S9F (GLEB30S9FBA)  
 C GLEB30S9F (GLEB30S9FQA)

POS. NO	PART NO.		DESCRIPTION
2A	318257300	A B C	Shield, oven top
2B	318260100	A B C	Cover, box
19	318274608	A - -	Control Panel Assembly, glass, white, w/touch pad
19	318274610	- B -	Control Panel Assembly, glass, black, w/touch pad
19	318274609	- - C	Control Panel Assembly, glass, bisque, w/touch pad
20 #	316418720	A B C	Clock/Timer, electronic, ES510W1
*	316021107	A B C	Screw, hex head, 8-32, silver
*	5303211311	A B C	Screw, 8 x 0.500

**BODY**



**BPLEB27S9DCB**

**BODY**

*Model Index:* A GLEB30S9F (GLEB30S9FSA)  
 B GLEB30S9F (GLEB30S9FBA)  
 C GLEB30S9F (GLEB30S9FOA)

POS. NO	PART NO.		DESCRIPTION
1	318259204	A B C	Back, main
2	318258902	A B C	Shield, insulation, upper
6	318345208	A B C	Rack, oven
6A	318219500	A B C	Rack, broiler pan
8	318262001	A B C	Cover, element
8A	318318600	A B C	Bracket, element, hidden bake
9	5303317977	A B C	Pan, broiler
10	5303317976	A B C	Insert, broiler pan
12 #	318089917	A B C	Switch, light
14	318224000	A B C	Receptacle, oven light
14*	318268099	A B C	Insulation, oven light
15	5303013071	A B C	Bulb/Lamp, light
16	08011086	A B C	Lens, oven light, glass
17	5304400195	A B C	Retainer, light cover
29	318147411	A B C	Bumper, (2)
37 #	316217002	A B C	Probe, oven temp
41	5303310526	A B C	Cover, hinge cutout
54	318222400	A B C	Housing, oven light
56	318259902	A - -	Trim, side filler, white, RH
56	318259904	- B -	Trim, side filler, black, RH
56	318259906	- - C	Trim, side filler, bisque, RH
56A	318259903	A - -	Trim, side filler, white, LH
56A	318259905	- B -	Trim, side filler, black, LH
56A	318259907	- - C	Trim, side filler, bisque, LH
58A	318285055	A B C	Insulation, oven wrapper
58B	318285056	A B C	Insulation, oven back
59	318072560	A B C	Duct, oven vent
59A	318261600	A B C	Bracket, vent tube
62	316056000	A B C	Terminal Block
62*	5303323144	A B C	Nut, 10-32
66 #	318255600	A B C	Element, broil, 2750W
67	318254901	A B C	Element, bake, 3400W, 8 pass
68	5304403015	A B C	Support, hanger, (2), broil element
70	318259100	A B C	Shield, insulation, sides, (2)
71	318260007	A B C	Panel, rear box
76	318056217	A B C	Front, oven
80	5303320846	A B C	Plate, oven mtg
81	318192400	A B C	Spring, oven
82	318258707	A B C	Shield, insulation, lower
83	318261400	A B C	Liner, oven assy
86	5303310524	A B C	Receptacle, hinge
87	318260600	A B C	Bracket, cable mtg.
89 #	318261209	A B C	Motor, latch assy
90	318259700	A - -	Trim, oven front, white, bottom
90	318259701	- B -	Trim, oven front, black, bottom
90	318259702	- - C	Trim, oven front, bisque, bottom
99	318256200	A B C	Bracket, side, bottom, (2)
107	318219401	A B C	Cover, fan

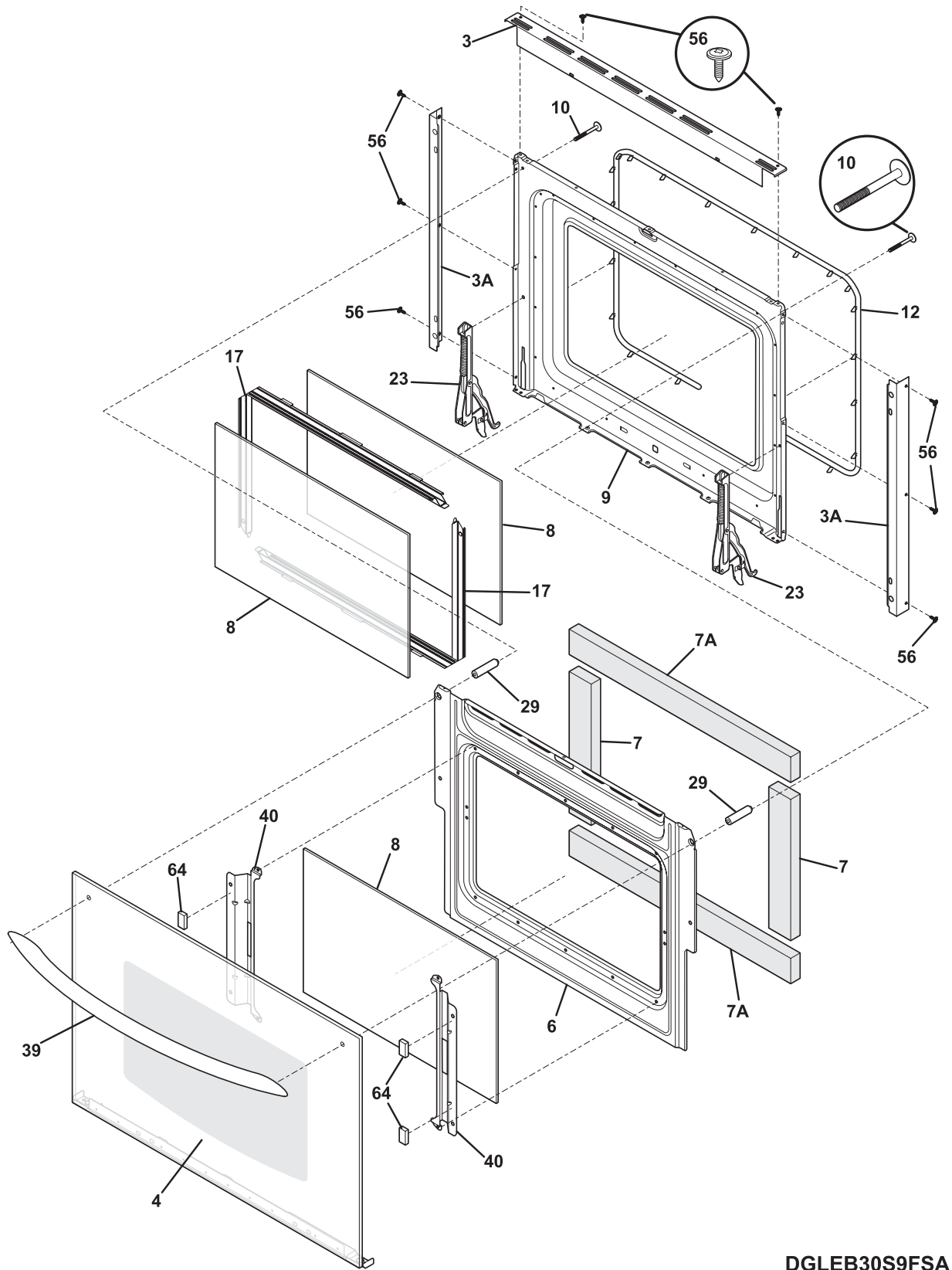


**BODY**

*Model Index:* A GLEB30S9F (GLEB30S9FSA)  
 B GLEB30S9F (GLEB30S9FBA)  
 C GLEB30S9F (GLEB30S9FOA)

POS. NO	PART NO.		DESCRIPTION
108#	318073018	A B C	Motor, blower
*	08016432	A B C	Screw, truss head, 8-18 x 0.375
108A	318251300	A B C	Bracket, fan support
109	316136400	A B C	Blade, fan
111	316136600	A B C	Nut, fan retainer
112#	318112701	A B C	Relay
119#	318004900	A B C	Switch, thermal
125#	316415800	A B C	Motor, fan
125*	5303316994	A B C	Insulation, 3.81 x 3.13
126	318142100	A B C	Washer, motor, RH, convection
127	318317100	A B C	Adapter Assembly, vent tube, w/converter
131	318272900	A B C	Box, vent
132	318003000	A B C	Plate, shield
142	318123910	A B C	Deflector
*	5303324184	A B C	Screw, 8-18 x 5/16, black, (4)
143	318172904	A B C	Support, wire
161#	318255503	A B C	Element, convection, 350 W
163	318014111	A B C	Spacer
185	318014700	A B C	Spacer, oven shield, (4)
219#	318003614	A B C	Thermostat, safety
219A	318003613	A B C	Thermostat, safety, 1.375" mtg, 105/120
263	316136500	A B C	Washer, flat
264	318257701	A B C	Trim, oven, black, front
272	318249401	A B C	Tube, protector
310	5304440067	A B C	Cabinet Mounting Kit
311	318246010	A B C	Bracket, cabinet mtg, (2)
311*	5304438005	A B C	Screw, 6 x 1, black
312	318246702	A B C	Tool, cabinet bracket, RH
312	318246703	A B C	Tool, cabinet bracket, LH
* #	318078542	A B C	Box & wires assy
*	318231737	A B C	Harness, wiring, main
*	5303323136	A B C	Screw ground
*	318165800	A B C	Spacer
*	3201861	A B C	Screw, 6 x 0.375, (4)
*	5303211311	A B C	Screw, 8 x 0.500
*	5303323139	A B C	Screw, 10-24 x 0.906
*	5303323277	A B C	Screw, 8-18 X 13/32
*	5304436875	A B C	Screw, 8-18 X 1/2, black

DOOR



DGLEB30S9FSA



---

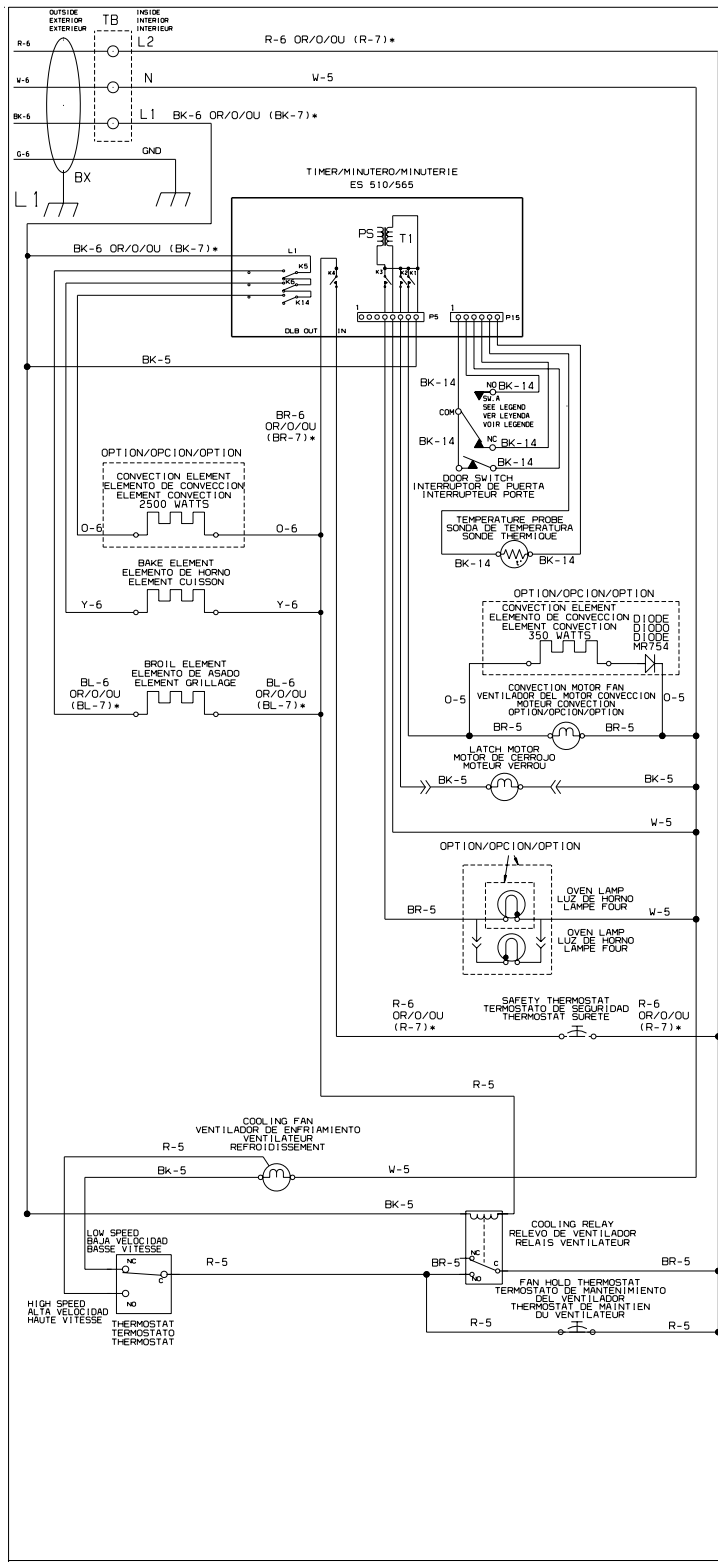
**DOOR**


---

*Model Index:*    **A** GLEB30S9F (GLEB30S9FSA)  
                           **B** GLEB30S9F (GLEB30S9FBA)  
                           **C** GLEB30S9F (GLEB30S9FQA)

POS. NO	PART NO.		DESCRIPTION
3	318260201	A B C	Trim, oven door, black, upper
3A	318260401	A B C	Trim, oven door, side, (2)
4	318261301	A - -	Glass Assy., oven door, white, outer, w/trim
4	318261300	- B -	Glass Assy., oven door, black, outer, w/trim
4	318261302	- - C	Glass Assy., oven door, bisque, outer, w/trim
6	318260520	A B C	Baffle, door
7	318285057	A B C	Insulation, oven door
7A	318285062	A B C	Insulation, oven door
8	316117500	A B C	Glass, oven door, heat barrier
9	318259601	A B C	Liner, oven door, upper
10	5304416408	A B C	Screw, 10-24 x 1.750, handle mtg
12	318053130	A B C	Seal, oven door, upper
17	316402403	A B C	Spacer, door glass, (2)
23	318024722	A B C	Hinge, door, (2)
29	318014402	A B C	Spacer, door
39	5304457012	A - -	Handle, door, white, w/spacer
39	5304457011	- B -	Handle, door, black, w/spacer
39	5304457013	- - C	Handle, door, bisque, w/spacer
40	318242700	A B C	Bracket, glass holder, (2)
56	5304436875	A B C	Screw, 8-18 X 1/2, black
64	318165800	A B C	Spacer
*	08016432	A B C	Screw, truss head, 8-18 x 0.375
*	5303211311	A B C	Screw, 8 x 0.500
*	5303300265	A B C	Screw, 8-18 X 1/2, (2)
*	5303323277	A B C	Screw, 8-18 X 13/32

WIRING DIAGRAM



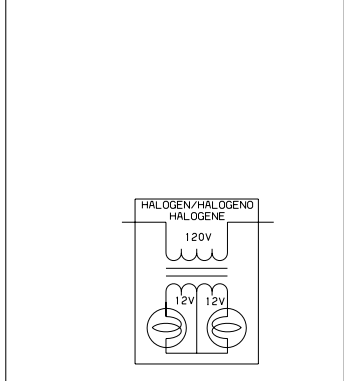
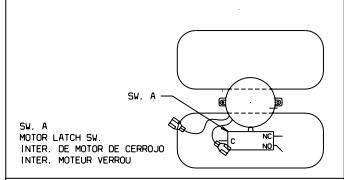
**COLORS / COLOR / COULEURS**

BK- BLACK/NEGRO/NOIR  
 W- WHITE/BLANCO/BLANC  
 O- ORANGE/MARANJA/ORANGE  
 BR- BROWN/MORENO/BRUN  
 PK- PINK/ROSA/ROSE  
 V- VIOLET/VIOLETA/VIOLET  
 G- GREEN/VERDE/VERT  
 R- RED/ROJO/ROUGE  
 Y- YELLOW/AMARILLO/JAUNE  
 BL- BLUE/AZUL/BLEU  
 BR/W- BROWN/WHITE // MORENO/BLANCO // BRUN/BLANC  
 BL/W- BLUE/WHITE // AZUL/BLANCO // BLEU/BLANC

CODE	GAUGE/MED. CAL. IERE	TEMP. °C	STYLE CSA	UL
1	18	125	CL1251	3173
2	16	125	CL1251	3173
3	14	125	CL1251	3173
4	12	125	CL1251	3173
5	18	150	EXL-150	3321
6	16	150	EXL-150	3321
7	14	150	EXL-150	3321
8	12	150	EXL-150	3321
9	10	150	EXL-150	3321
10	18	200	SEW-1	3122
11	16	200	SEW-1	3122
12	12	250		3252
13	16	250		3252
14	20	150	EXL-150	3321
15	8	150	EXL-150	3321
16	8	60		
17	10	60		

**CODE/CODIGO/CODE**      **STYLE**

EXAMPLE/EXAMPLE/EXEMPLE: (R-81)  
 \* WHEN USING 4000 W. BROIL ELEMENT  
 \* CUANDO SE USA 4000 W. ELEMENTO DE ASADO  
 \* QUAND UTILISE AVEC 4000 W. ELEMENT GRILLAGE



**CAUTION:** DISCONNECT POWER BEFORE SERVICING UNIT.  
**ATENCION:** CORTAR EL CORRIENTE ANTES DE REALIZAR EL MANTENIMIENTO DEL ELECTRODOMESTICO.  
**ATTENTION:** COUPEZ L'ALIMENTATION AVANT D'EFFECTUER LA REPARATION.

318046235 REV:A