



Frigidaire

Factory Parts Catalog

Product No.	GLEB30T9DBC	GLEB30T9DQC	GLEB30T9DSC
	37056391H4063	37056391H4043	37056391H4013
Series	30" double	30" double	30" double
Color	black	bisque	white
Market	North America	North America	North America
Wiring Diagram	318046121	318046121	318046121
Owner's Guide	318200924	318200924	318200924
Installation Instructions	318201514	318201514	318201514
Service Data Sheet	318047306	318047306	318047306
Timer Guide	318200135	318200135	318200135

 **Electrolux**

Electrolux Major Appliances
North & Latin America
P.O. BOX 212378
AUGUSTA, GA 30917

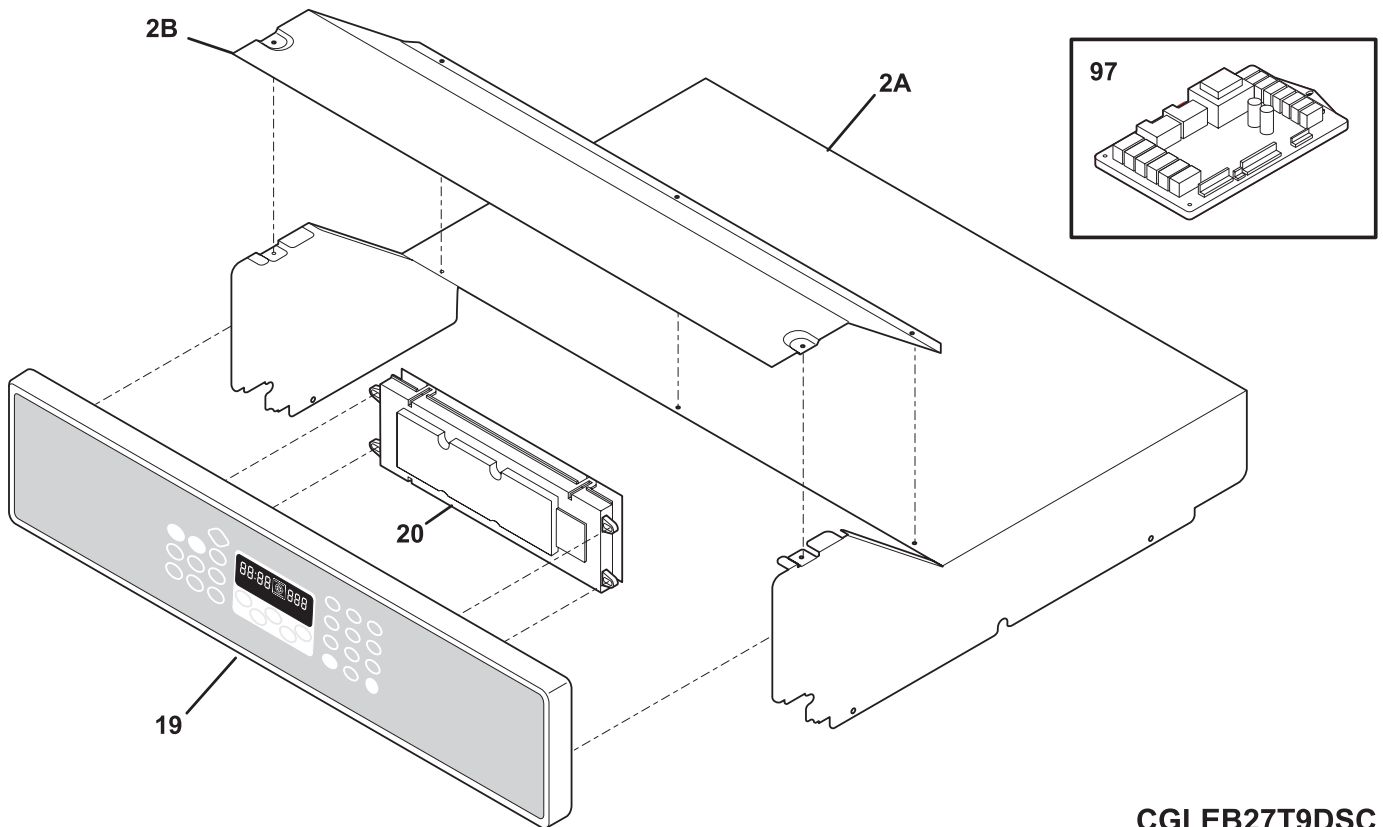
Publication No.
5995459392
06/01/24
(EN/SERVICE/ECL)
377

**DOUBLE ELECTRIC
WALL OVEN**

Model No.
GLEB30T9D

Copyright © 2006 Electrolux Home Products, Inc.
All rights reserved.

CONTROL PANEL



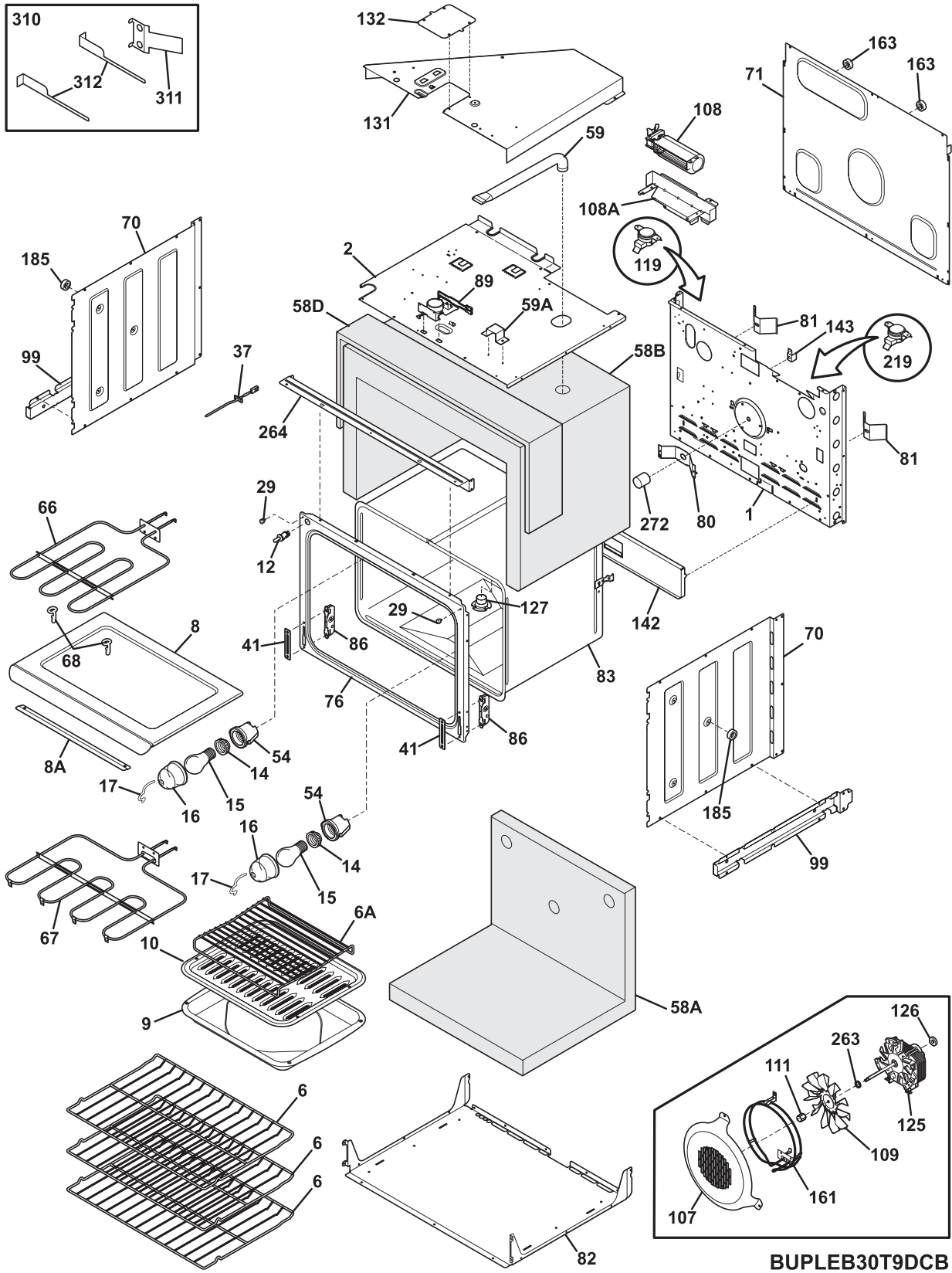
CGLEB27T9DSC

CONTROL PANEL

Model Index: **A** GLEB30T9D (GLEB30T9DSC)
 B GLEB30T9D (GLEB30T9DBC)
 C GLEB30T9D (GLEB30T9DQC)

POS. NO	PART NO.		DESCRIPTION
2A	318257300	A B C	Shield, oven top
2B	318260100	A B C	Cover, box
19	318342907	A - -	Control Panel Assembly, glass, white, w/touch pad
19	318342909	- B -	Control Panel Assembly, glass, black, w/touch pad
19	318342908	- - C	Control Panel Assembly, glass, bisque, w/touch pad
20 #	316443805	A B C	Control, electronic, ES610W3, dual oven
97	316443901	A B C	Board, relay, dual oven
*	318231751	A B C	Harness, wiring, control-relay
*	5303211311	A B C	Screw, 8 x 0.500

UPPER OVEN



UPPER OVEN

Model Index: A GLEB30T9D (GLEB30T9DSC)
 B GLEB30T9D (GLEB30T9DBC)
 C GLEB30T9D (GLEB30T9DQC)

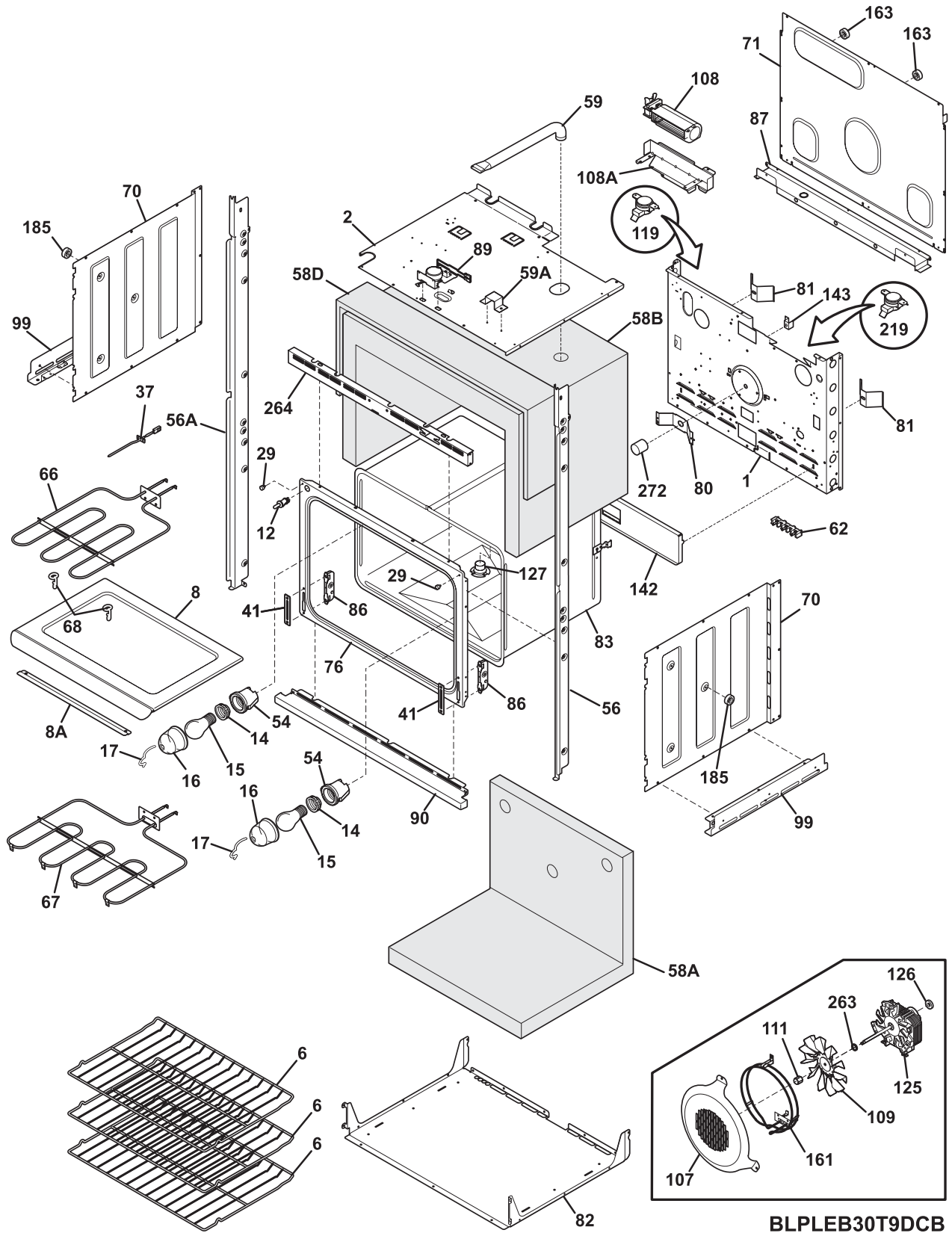
POS. NO	PART NO.		DESCRIPTION
1	318259202	A B C	Back, main
2	318258902	A B C	Shield, insulation, upper
6	318262503	A B C	Rack, oven
6A	318219500	A B C	Rack, broiler pan
8	318262001	A B C	Cover, element
8A	318318600	A B C	Bracket, element, hidden bake
9	5303317977	A B C	Pan, broiler
10	5303317976	A B C	Insert, broiler pan
12 #	318089917	A B C	Switch, light
14	318224000	A B C	Receptacle, oven light
14*	318268099	A B C	Insulation, oven light
15	5303013071	A B C	Bulb/Lamp, light
16	3201911	A B C	Cover, oven light, glass
17	5304400195	A B C	Retainer, light cover
29	318147411	A B C	Bumper, (2)
37 #	316217002	A B C	Probe, oven temp
41	5303310526	A B C	Cover, hinge cutout
54	318222400	A B C	Housing, oven light
58A	318285055	A B C	Insulation, oven wrapper
58B	318285056	A B C	Insulation, oven back
58D	318133789	A B C	Insulation, 1/2" thick, 26.75 x 19
58D	318285058	A B C	Insulation, 1/2" thick, 43 x 9.5
*	318294903	A B C	Insulation, 9.5x26.75x.5
59	318072560	A B C	Duct, oven vent
59A	318261600	A B C	Bracket, vent tube
66 #	318255600	A B C	Element, broil, 2750W
67	318254901	A B C	Element, bake, 3400W, 8 pass
68	5304403015	A B C	Support, hanger, (2), broil element
70	318259100	A B C	Shield, insulation, sides, (2)
71	318260007	A B C	Panel, rear box
76	318056217	A B C	Front, oven
80	5303320846	A B C	Plate, oven mtg
81	318192400	A B C	Spring, oven
82	318258707	A B C	Shield, insulation, lower
83	318261400	A B C	Liner, oven assy
86	5303310524	A B C	Receptacle, hinge
89 #	318261211	A B C	Motor, latch assy
* #	318231750	A B C	Harness, wiring, main, latch
* #	318199744	A B C	Wiring Harness, latch, BAS
* #	318199746	A B C	Wiring Harness, latch, NO BAS
99	318252800	A B C	Support, side
*	5303300265	A B C	Screw, 8-18 X 1/2, (2)
107	318219401	A B C	Cover, fan
108#	318073018	A B C	Motor, blower
*	08016432	A B C	Screw, truss head, 8-18 x 0.375
108A	318251300	A B C	Bracket, fan support
109	316136400	A B C	Blade, fan
111	316136600	A B C	Nut, fan retainer

UPPER OVEN

Model Index: A GLEB30T9D (GLEB30T9DSC)
 B GLEB30T9D (GLEB30T9DBC)
 C GLEB30T9D (GLEB30T9DQC)

POS. NO	PART NO.		DESCRIPTION
119#	318004900	A B C	Switch, thermal
125#	316415800	A B C	Motor, fan
125*	5303316994	A B C	Insulation, 3.81 x 3.13
126	318142100	A B C	Washer, motor, RH, convection
127	318317100	A B C	Adapter Assembly, vent tube, w/converter
131	318272900	A B C	Box, vent
132	318003000	A B C	Plate, shield
142	318123910	A B C	Deflector
143	318172904	A B C	Support, wire
161#	318255503	A B C	Element, convection, 350 W
163	318014111	A B C	Spacer
185	318014700	A B C	Spacer, oven shield, (4)
219#	318003614	A B C	Thermostat, safety
263	316136500	A B C	Washer, flat
264	318257701	A B C	Trim, oven, black, front
272	318249401	A B C	Tube, protector
310	5304440067	A B C	Cabinet Mounting Kit
311	318246010	A B C	Bracket, cabinet mtg, (2)
311*	5304438005	A B C	Screw, 6 x 1, black
312	318246702	A B C	Tool, cabinet bracket, RH
312	318246703	A B C	Tool, cabinet bracket, LH
*	3201861	A B C	Screw, 6 x 0.375, (4)
*	5303211311	A B C	Screw, 8 x 0.500
*	5303323277	A B C	Screw, 8-18 X 13/32
*	5304436875	A B C	Screw, 8-18 X 1/2, black

LOWER OVEN

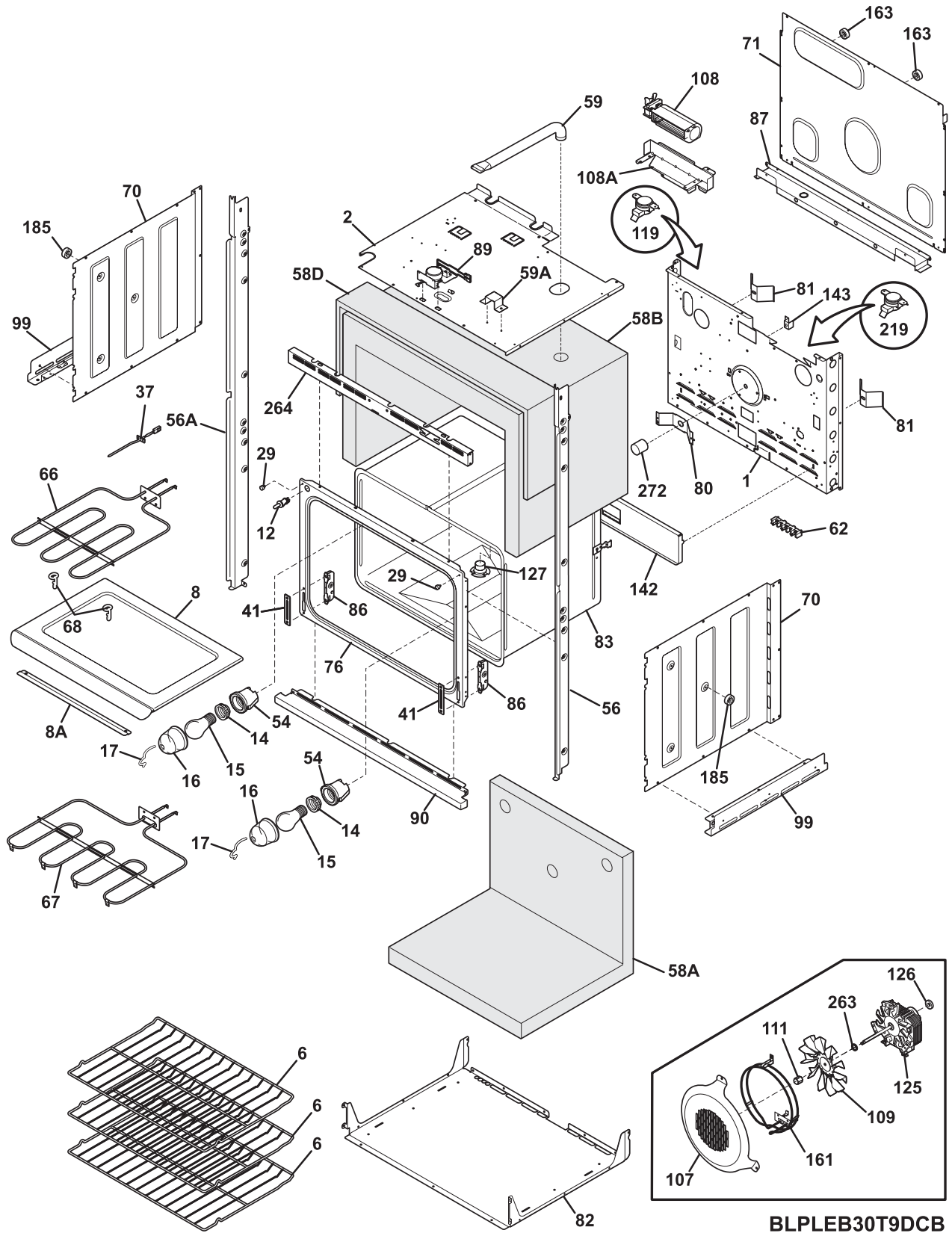


LOWER OVEN

Model Index: A GLEB30T9D (GLEB30T9DSC)
 B GLEB30T9D (GLEB30T9DBC)
 C GLEB30T9D (GLEB30T9DQC)

POS. NO	PART NO.		DESCRIPTION
1	318259202	A B C	Back, main
2	318258902	A B C	Shield, insulation, upper
6	318262503	A B C	Rack, oven
8	318262001	A B C	Cover, element
8A	318318600	A B C	Bracket, element, hidden bake
12 #	318089917	A B C	Switch, light
14	318224000	A B C	Receptacle, oven light
14*	318268099	A B C	Insulation, oven light
15	5303013071	A B C	Bulb/Lamp, light
16	3201911	A B C	Cover, oven light, glass
17	5304400195	A B C	Retainer, light cover
29	318147411	A B C	Bumper, (2)
37 #	316217002	A B C	Probe, oven temp
41	5303310526	A B C	Cover, hinge cutout
54	318222400	A B C	Housing, oven light
56	318259912	A - -	Trim, side filler, white, RH
56	318259914	- B -	Trim, side filler, black, RH
56	318259916	- - C	Trim, side filler, bisque, RH
56A	318259913	A - -	Trim, side filler, white, LH
56A	318259915	- B -	Trim, side filler, black, LH
56A	318259917	- - C	Trim, side filler, bisque, LH
58A	318285055	A B C	Insulation, oven wrapper
58B	318285056	A B C	Insulation, oven back
58D	318285058	A B C	Insulation, 1/2" thick, 43 x 9.5
59	318072560	A B C	Duct, oven vent
59A	318261600	A B C	Bracket, vent tube
62	316056000	A B C	Terminal Block
62*	5303323139	A B C	Screw, 10-24 x 0.906
62*	5303323144	A B C	Nut, 10-32
66 #	318255600	A B C	Element, broil, 2750W
67	318254901	A B C	Element, bake, 3400W, 8 pass
68	5304403015	A B C	Support, hanger, (2), broil element
70	318259100	A B C	Shield, insulation, sides, (2)
71	318260007	A B C	Panel, rear box
71*	318340200	A B C	Bracket, insul. panel
76	318056217	A B C	Front, oven
80	5303320846	A B C	Plate, oven mtg
81	318192400	A B C	Spring, oven
82	318258707	A B C	Shield, insulation, lower
83	318261400	A B C	Liner, oven assy
86	5303310524	A B C	Receptacle, hinge
87	318260600	A B C	Bracket, cable mtg.
89 #	318261211	A B C	Motor, latch assy
* #	318231750	A B C	Harness, wiring, main, latch
* #	318199744	A B C	Wiring Harness, latch, BAS
* #	318199746	A B C	Wiring Harness, latch, NO BAS
90	318259700	A - -	Trim, oven front, white, bottom
90	318259701	- B -	Trim, oven front, black, bottom

LOWER OVEN



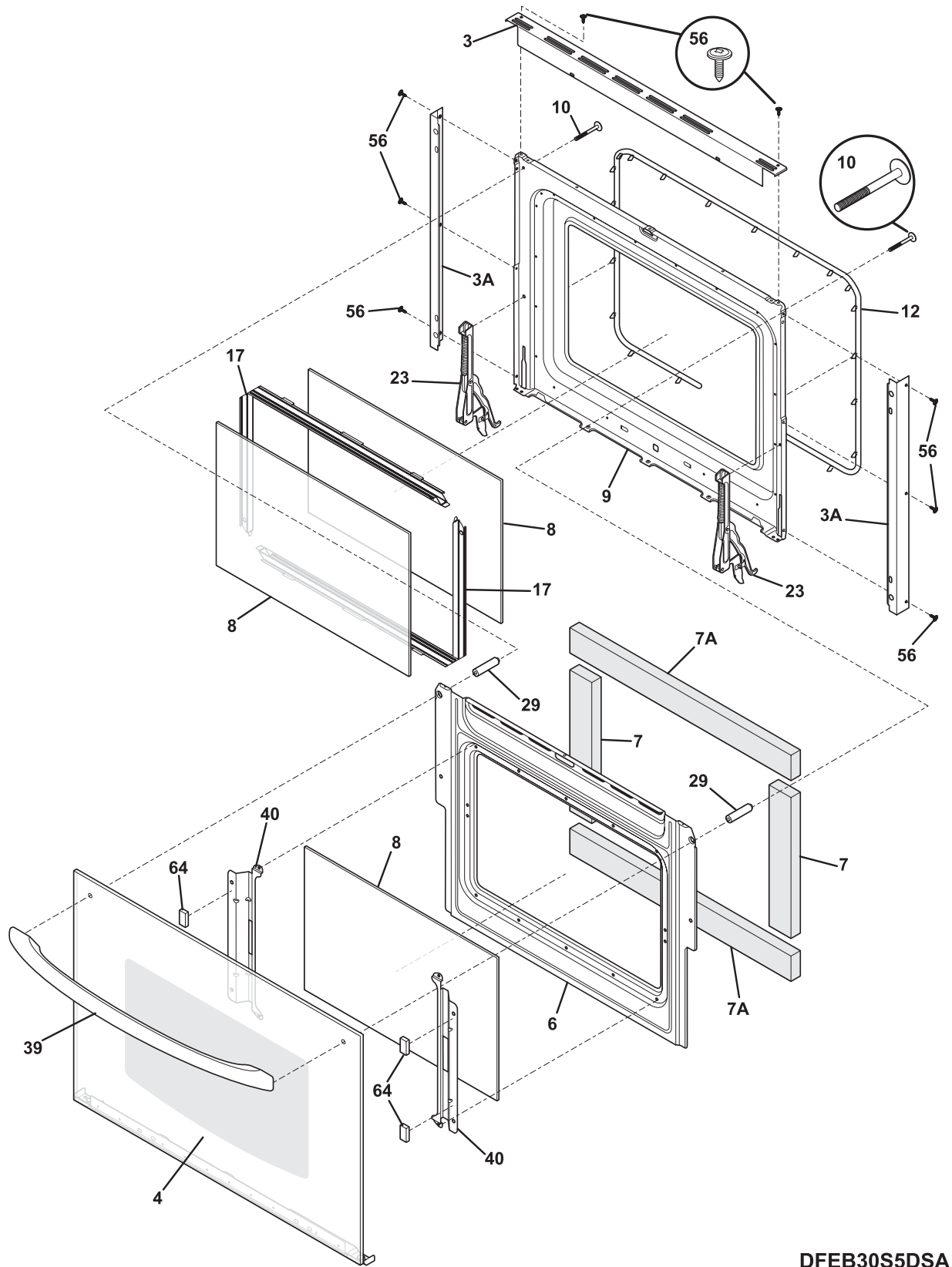
BLPLEB30T9DCB

LOWER OVEN

Model Index: A GLEB30T9D (GLEB30T9DSC)
 B GLEB30T9D (GLEB30T9DBC)
 C GLEB30T9D (GLEB30T9DQC)

POS. NO	PART NO.		DESCRIPTION
90	318259702	- - C	Trim, oven front, bisque, bottom
99	318256200	A B C	Bracket, side, bottom, (2)
*	5303300265	A B C	Screw, 8-18 X 1/2, (2)
107	318219401	A B C	Cover, fan
108#	318073018	A B C	Motor, blower
*	08016432	A B C	Screw, truss head, 8-18 x 0.375
108A	318251300	A B C	Bracket, fan support
109	316136400	A B C	Blade, fan
111	316136600	A B C	Nut, fan retainer
119#	318004900	A B C	Switch, thermal
125#	316415800	A B C	Motor, fan
125*	5303316994	A B C	Insulation, 3.81 x 3.13
126	318142100	A B C	Washer, motor, RH, convection
127	318317100	A B C	Adapter Assembly, vent tube, w/converter
142	318123910	A B C	Deflector
143	318172904	A B C	Support, wire
161#	318255503	A B C	Element, convection, 350 W
163	318014111	A B C	Spacer
185	318014700	A B C	Spacer, oven shield, (4)
219#	318003614	A B C	Thermostat, safety
263	316136500	A B C	Washer, flat
264	318257801	A B C	Trim, oven, black, front
272	318249401	A B C	Tube, protector
* #	318078543	A B C	Box & wires assy
*	318231748	A B C	Harness, wiring, main
*	5303323136	A B C	Screw ground
*	3201861	A B C	Screw, 6 x 0.375, (4)
*	5303211311	A B C	Screw, 8 x 0.500
*	5303323277	A B C	Screw, 8-18 X 13/32
*	5304436875	A B C	Screw, 8-18 X 1/2, black

DOORS



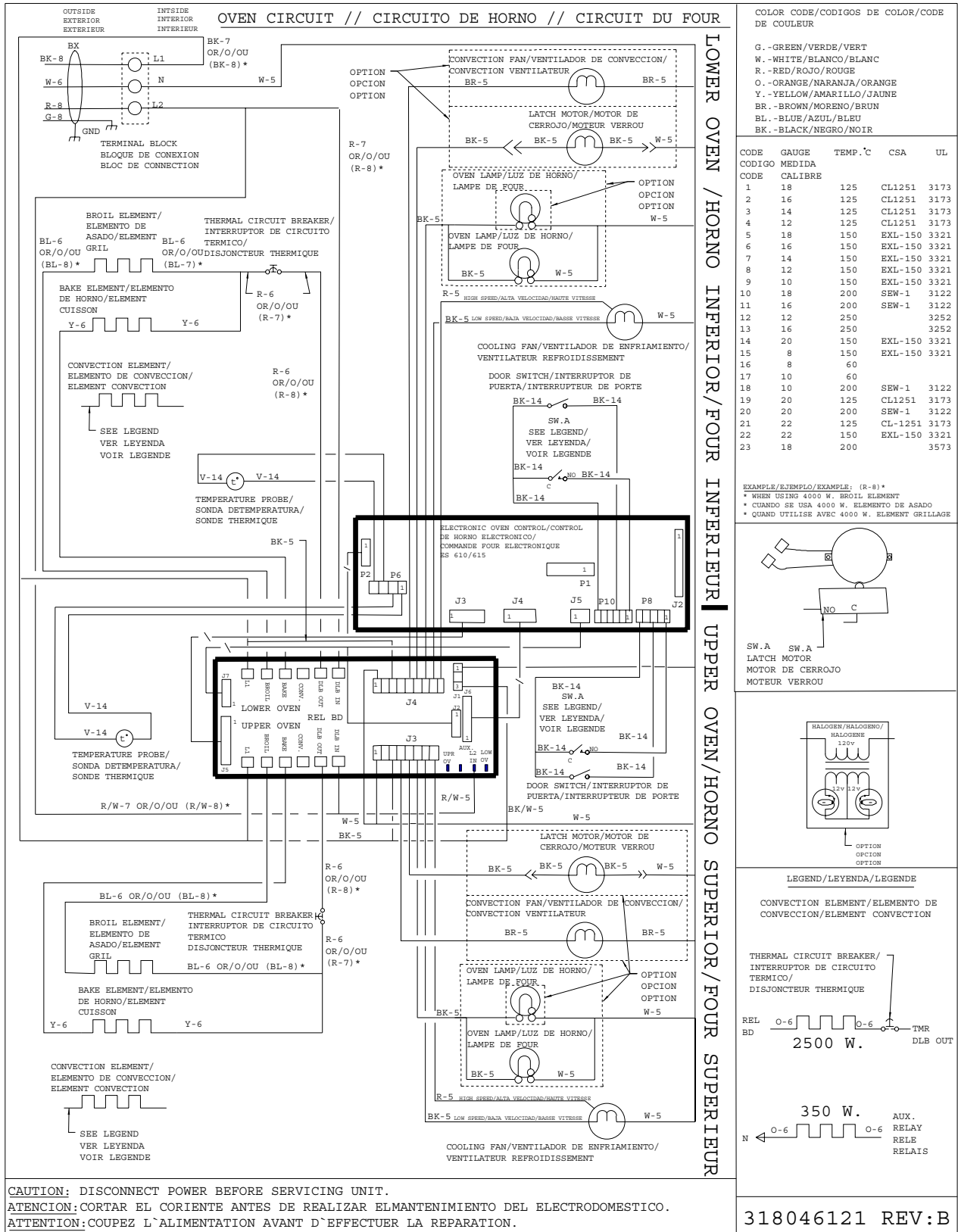
DFEB30S5DSA

DOORS

Model Index: **A** GLEB30T9D (GLEB30T9DSC)
 B GLEB30T9D (GLEB30T9DBC)
 C GLEB30T9D (GLEB30T9DQC)

POS. NO	PART NO.		DESCRIPTION
3	318260201	A B C	Trim, oven door, black, upper
3A	318260401	A B C	Trim, oven door, side, (2)
4	318261301	A - -	Glass Assy., oven door, white, outer, w/trim
4	318261300	- B -	Glass Assy., oven door, black, outer, w/trim
4	318261302	- - C	Glass Assy., oven door, bisque, outer, w/trim
6	318260500	A B C	Baffle, door
7	318285057	A B C	Insulation, oven door
7A	318285062	A B C	Insulation, oven door
8	316117500	A B C	Glass, oven door, heat barrier
9	318259601	A B C	Liner, oven door
10	5304416408	A B C	Screw, 10-24 x 1.750, handle mtg
12	318053120	A B C	Seal, door, upper oven
17	316402403	A B C	Spacer, door glass, (2)
23	5303310828	A B C	Hinge, oven door, (2)
29	318014402	A B C	Spacer, door
39	316203001	A - -	Handle, door, white
39	318231200	- B -	Handle, black
39	316203003	- - C	Handle, door, bisque
40	318242700	A B C	Bracket, glass holder, (2)
56	5304436875	A B C	Screw, 8-18 X 1/2, black
64	318165800	A B C	Spacer, (2)
*	08016432	A B C	Screw, truss head, 8-18 x 0.375
*	5303211311	A B C	Screw, 8 x 0.500
*	5303323277	A B C	Screw, 8-18 X 13/32

WIRING DIAGRAM

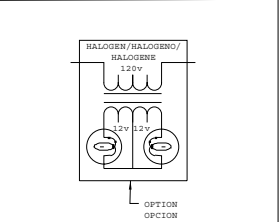
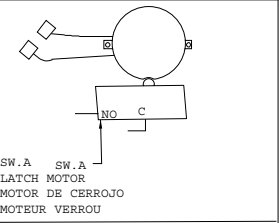


COLOR CODE/CODIGOS DE COLOR/CODE DE COULEUR

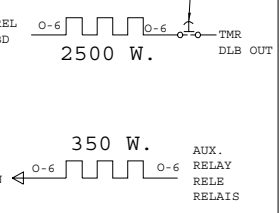
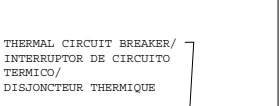
G. - GREEN / VERDE / VERT
 W. - WHITE / BLANCO / BLANC
 R. - RED / ROJO / ROUGE
 O. - ORANGE / NARANJA / ORANGE
 Y. - YELLOW / AMARILLO / JAUNE
 BR. - BROWN / MORENO / BRUN
 BL. - BLUE / AZUL / BLEU
 BK. - BLACK / NEGRO / NOIR

CODE	GAUGE	TEMP. °C	CSA	UL
CODIGO	MEDIDA			
CODE	CALIBRE			
1	18	125	CL1251	3173
2	16	125	CL1251	3173
3	14	125	CL1251	3173
4	12	125	CL1251	3173
5	18	150	EXL-150	3321
6	16	150	EXL-150	3321
7	14	150	EXL-150	3321
8	12	150	EXL-150	3321
9	10	150	EXL-150	3321
10	18	200	SEW-1	3122
11	16	200	SEW-1	3122
12	12	250		3252
13	16	250		3252
14	20	150	EXL-150	3321
15	8	150	EXL-150	3321
16	8	60		
17	10	60		
18	10	200	SEW-1	3122
19	20	125	CL1251	3173
20	20	200	SEW-1	3122
21	22	125	CL-1251	3173
22	22	150	EXL-150	3321
23	18	200		3573

EXAMPLE/EJEMPLO/EXAMPLE: (R-8)*
 * WHEN USING 4000 W. BROIL ELEMENT
 * CUANDO SE USA 4000 W. ELEMENTO DE ASADO
 * QUAND UTILISE AVEC 4000 W. ELEMENT GRILLAGE



LEGEND/LEYENDA/LEGENDE
 CONVECTION ELEMENT/ELEMENTO DE CONVECCION/ELEMENT CONVECTION



318046121 REV:B