



Frigidaire

Factory Parts Catalog

| | |
|---------------------------|---------------|
| Product No. | PLEB30M9ECF |
| | 39257391G50S6 |
| Series | 30" elec |
| Color | stainless |
| Market | North America |
| Wiring Diagram | 318046255 |
| Owner's Guide | 318205117 |
| Installation Instructions | 318201521 |
| Service Data Sheet | 318047418 |

 **Electrolux**

Electrolux Major Appliances
 North & Latin America
 P.O. BOX 212378
 AUGUSTA, GA 30917

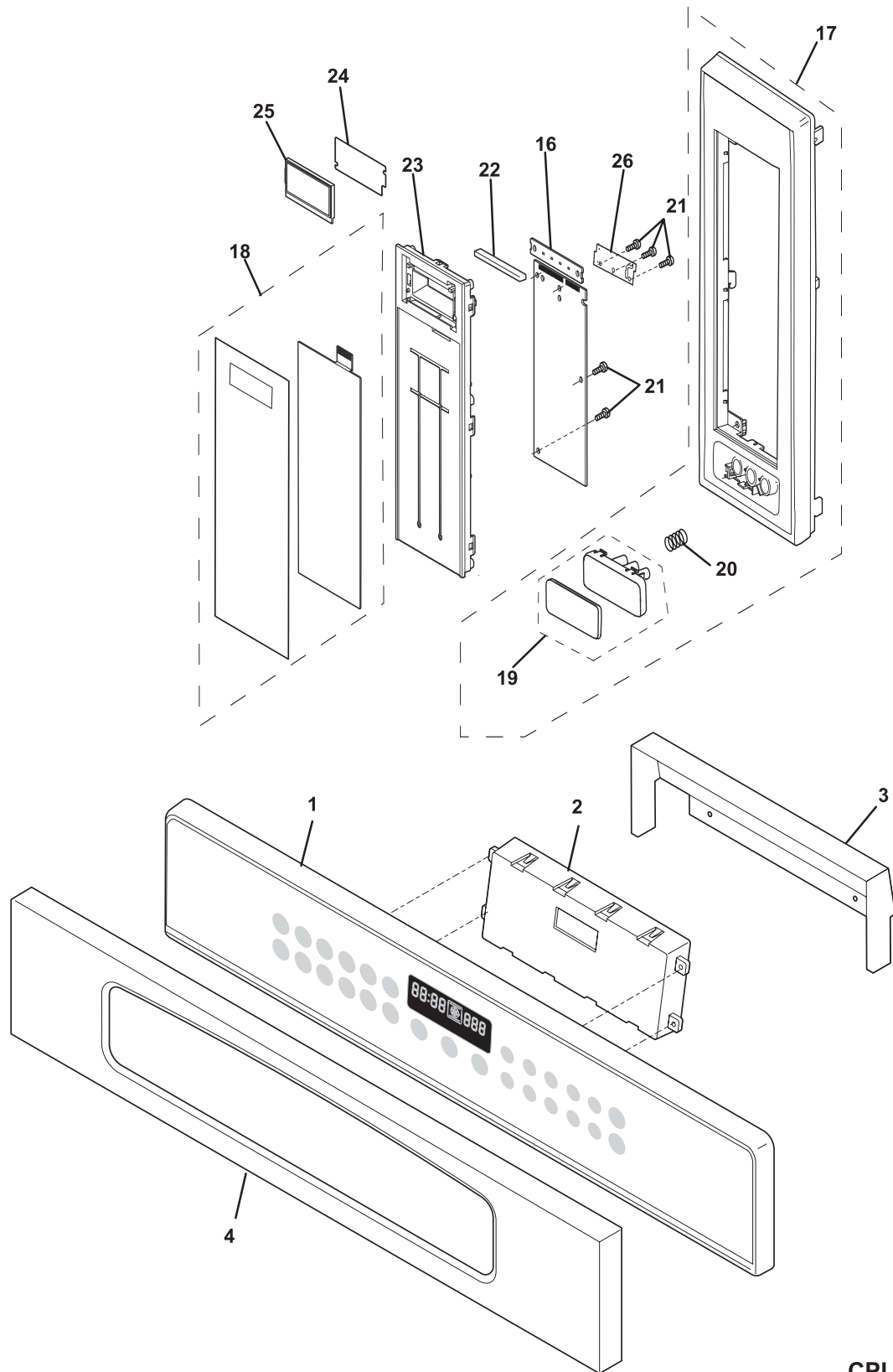
Publication No.
5995534467
 09/03/03
 (EN/SERVICE/ECL)
 377

**30" MICROWAVE/
 WALL OVEN COMBO**

Model No.
PLEB30M9E

Copyright © 2009 Electrolux Home Products, Inc.
 All rights reserved.

CONTROL PANEL

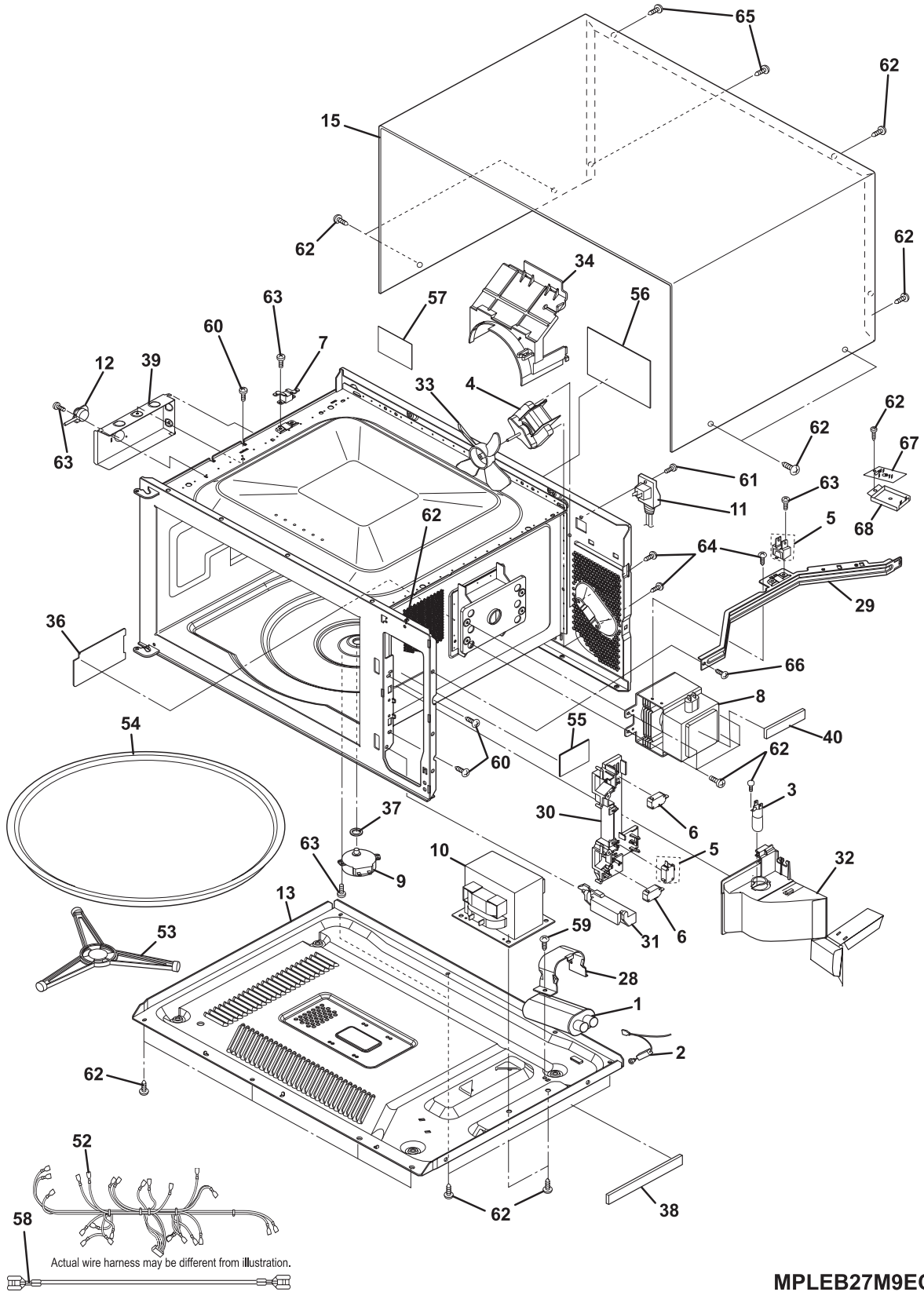


CPLEB27M9ECA

CONTROL PANEL

| POS. NO | PART NO. | DESCRIPTION |
|---------|------------|---|
| 1 | 318331313 | Control Panel Assembly, glass, black, w/touch pad |
| 2 # | 316418722 | Clock/Timer, electronic, ES510W1 |
| 3 | 318295705 | Deflector, timer |
| 4 | 318271415 | Frame, control panel, stainless |
| 16 # | 5304440820 | Control Board, printed circuit |
| 17 | 5304452253 | Frame, control panel, stainless |
| 18 # | 5304440824 | Touch Control Assy, black |
| 19 | 5304448833 | Push Button, door opener, stainless steel |
| 20 | 5304442134 | Spring, button |
| 21 | 5304440282 | Screw, control board, 3mm x 10mm |
| 22 | 5304440832 | Connector, rubber, control board |
| 23 | 5304440833 | Panel, touch control |
| 24 # | 5304440834 | LED Sheet, backlight |
| 25 # | 5304440835 | LCD, display |
| 26 | 5304440836 | Bracket, PCB support |
| * | 5303211311 | Screw, 8 x 0.500 |

MICROWAVE



MPLEB27M9ECA

MICROWAVE

| POS. NO | PART NO. | DESCRIPTION |
|---------|------------|----------------------------------|
| 1 # | 5304440777 | Capacitor, high voltage |
| 2 # | 5304440778 | Rectifier, high voltage |
| 3 # | 5304440779 | Lamp Assy, with socket |
| 4 # | 5304448490 | Motor, cooling fan |
| 5 | 5303319559 | Switch, monitor, w/ceramic fuse |
| 6 # | 5304440026 | Switch, interlock, door sensor |
| 7 # | 5304440780 | Fuse, cavity temp, 20 Amp, 250 V |
| 8 # | 5304440781 | Magnetron |
| 9 # | 5304448832 | Motor, turntable |
| 10 # | 5304440783 | Transformer, power |
| 11 # | 5304440784 | Power Cord, electric |
| 12 # | 5304440785 | Sensor, humidity, cook control |
| 13 | 5304440814 | Base, unit chassis |
| 15 | 5304440816 | Cabinet, outer casing, black |
| 28 | 5304440838 | Retainer, capacitor strap |
| 29 | 5304440839 | Bracket, chassis support |
| 30 | 5304440840 | Latch Hook |
| 31 | 5304440841 | Lever, door release |
| 32 | 5304440842 | Duct, magnetron |
| 33 # | 5304440843 | Fan Blade, cooling fan |
| 34 | 5304440844 | Duct, cooling fan |
| 36 | 5304440845 | Cover, waveguide |
| 37 | 5304440288 | Bushing, motor shaft, turntable |
| 38 | 5304441909 | Cushion, base plate pad |
| 39 | 5304440847 | Duct, AH sensor |
| 40 | 5304441910 | Cushion, magnetron pad |
| 52 | 5304452260 | Wiring Harness, main |
| 53 | 5304440284 | Support Assy, turntable |
| 54 | 5304440868 | Tray, turntable, glass |
| 55 | 5304440334 | Label, Caution-monitor |
| 56 | 5304440333 | Label, Caution-DHHS |
| 57 | 5304453941 | Label, caution, UL screw |
| 58 # | 5304440870 | Wire, high voltage-A |
| 59 | 5303319636 | Screw |
| 60 | 5303319641 | Screw |
| 61 | 5304440871 | Screw, 4mm x 12mm, ground |
| 62 | 5304440340 | Screw, 4mm x 12mm |
| 62 | 5304452261 | Screw, black, outer casing |
| 63 | 5303319633 | Screw, 3mm x 8mm |
| 64 | 5304440872 | Screw, 4mm x 8mm |
| 65 | 5304440873 | Screw, Torx, T20H/GTXH20-100 |
| 66 | 5304440874 | Screw |
| 67 # | 5304451818 | Filter, noise, electronic |
| 68 | 5303322975 | Bracket, noise filter, angle |

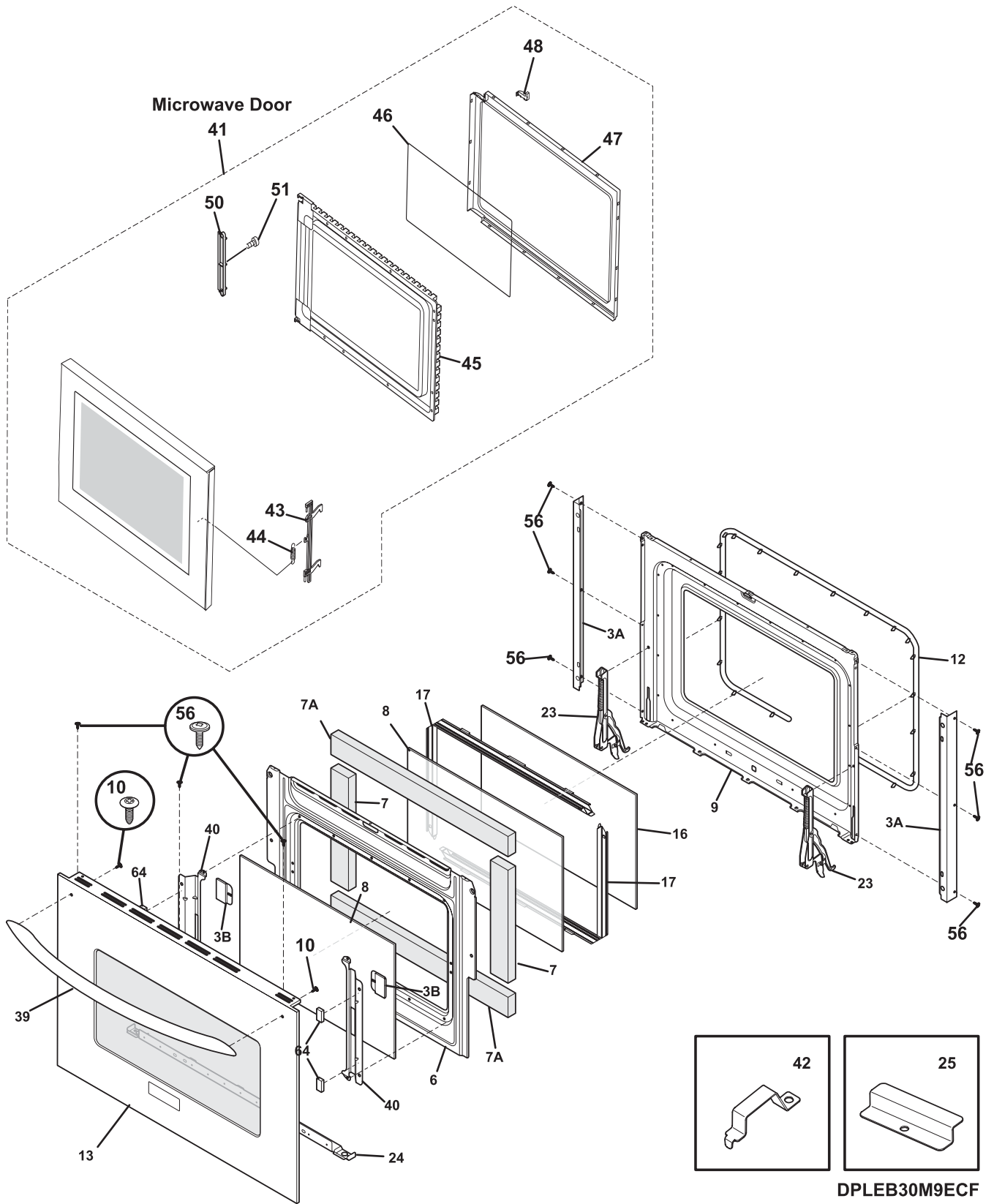
LOWER OVEN

| POS. NO | PART NO. | DESCRIPTION |
|---------|------------|--|
| 1 | 318259220 | Back, main |
| 2 | 318258902 | Shield, insulation, upper |
| 6 | 318345214 | Rack, oven, (3) |
| 8 | 318262001 | Cover, element |
| 8A | 318318600 | Bracket, element, hidden bake |
| 9 | 5303317977 | Pan, broiler |
| 10 | 5303317976 | Insert, broiler pan |
| 12 | 316445501 | Switch, oven light, door frame |
| * # | 318231869 | Harness, wiring, door switch |
| 14 | 318224000 | Receptacle, oven light |
| 14* | 318268099 | Insulation, oven light |
| 15 | 5303013071 | Bulb/Lamp, light |
| 16 | 08011086 | Lens, oven light, glass |
| 17 | 5304400195 | Retainer, light cover |
| 29 | 316517600 | Spacer, oven door |
| 37 # | 316217002 | Probe, oven temp |
| 54 | 318222400 | Housing, oven light |
| 56 | 318276314 | Trim, side filler, black, RH |
| 56A | 318276315 | Trim, side filler, black, LH |
| 58A | 318386100 | Insulation, oven wrapper |
| 58B | 318133791 | Insulation, oven back, back/bottom |
| 59 | 318072560 | Duct, oven vent |
| 59A | 318261600 | Bracket, vent tube |
| 62 | 316056000 | Terminal Block |
| 62* | 5303323139 | Screw, 10-24 x 0.906 |
| 62* | 5303323144 | Nut, 10-32 |
| 66 # | 318255600 | Element, broil, 2750W |
| 67 # | 318254906 | Element, bake, 3400W, 8 pass |
| 68 | 5304403015 | Support, hanger, (4), broil element |
| 70 | 318259100 | Shield, insulation, sides, (2) |
| 71 | 318260007 | Panel, rear box |
| 76 | 318056292 | Front, oven |
| 80 | 5303320846 | Plate, oven mtg |
| 81 | 318192400 | Spring, oven |
| 82 | 318258707 | Shield, insulation, lower |
| 83 | 318261400 | Liner, oven assy |
| 84 # | 318146833 | Outlet-electrical, miniature, black-glossy |
| 86 | 318561100 | Receptacle, hinge, (2) |
| 86* | 5304461333 | Screw, 10-32 x 17/32 |
| 87 | 318260600 | Bracket, cable mtg. |
| 89 # | 318261205 | Motor, latch assy |
| * # | 318370376 | Wiring Harness, latch |
| 90 | 318259802 | Trim, base, stainless |
| 99 | 318256201 | Bracket, side, bottom, (2) |
| 107 | 318219405 | Cover, fan |
| 108# | 318073028 | Motor, blower |
| * | 08016432 | Screw, truss head, 8-18 x 0.375 |
| 108A | 318251300 | Bracket, fan support |
| 109 | 318398300 | Fan Blade |
| 111 | 318399800 | Nut, fan retainer |
| 112# | 318112703 | Relay |

LOWER OVEN

| POS. NO | PART NO. | DESCRIPTION |
|---------|------------|--|
| 119# | 318004900 | Switch, thermal |
| 125# | 318398200 | Motor, fan |
| 125* | 5303316994 | Insulation, 3.81 x 3.13 |
| 125* | 318142100 | Washer, motor, convection |
| 127 | 318317100 | Adapter Assembly, vent tube, w/converter |
| 131 | 318272901 | Box, vent |
| 132 | 318003000 | Plate, shield |
| 142 | 318123910 | Deflector |
| 143 | 318172904 | Support, wire |
| 161# | 318255503 | Element, convection, 350 W |
| 163 | 318531703 | Spacer, (4) |
| 185 | 318531800 | Spacer, oven shield, (2) |
| 219# | 318003614 | Thermostat, safety |
| 219A | 318003613 | Thermostat, safety, 1.375" mtg, 105/120 |
| 263 | 316136500 | Washer, flat |
| 264 | 318257701 | Trim, oven, black, front |
| 272 | 318249403 | Tube, protector |
| 400 | 318275703 | Trim Assembly, microwave, 30", stainless |
| 401 | 318297207 | Plate, support, microwave, 27" |
| 402 | 318276202 | Bracket, base pad, RH |
| 403 | 318276203 | Bracket, base pad, LH |
| 406 | 318277201 | Shield, microwave rear |
| 409 | 318295301 | Bracket, top trim |
| 410 | 318297111 | Flue, black |
| 411# | 5304442354 | Holder, fuse |
| 412# | 5304442353 | Fuse, 20 Amp |
| * # | 318394442 | Box & wires assy |
| * # | 318532122 | Harness, wiring, main |
| * | 5303211311 | Screw, 8 x 0.500 |
| * | 5303323136 | Screw ground |
| * | 5303323277 | Screw, 8-18 X 13/32 |
| * | 5303324184 | Screw, 8-18 x 5/16, black, (4) |
| * | 5304436875 | Screw, 8-18 X 1/2, black |

DOORS

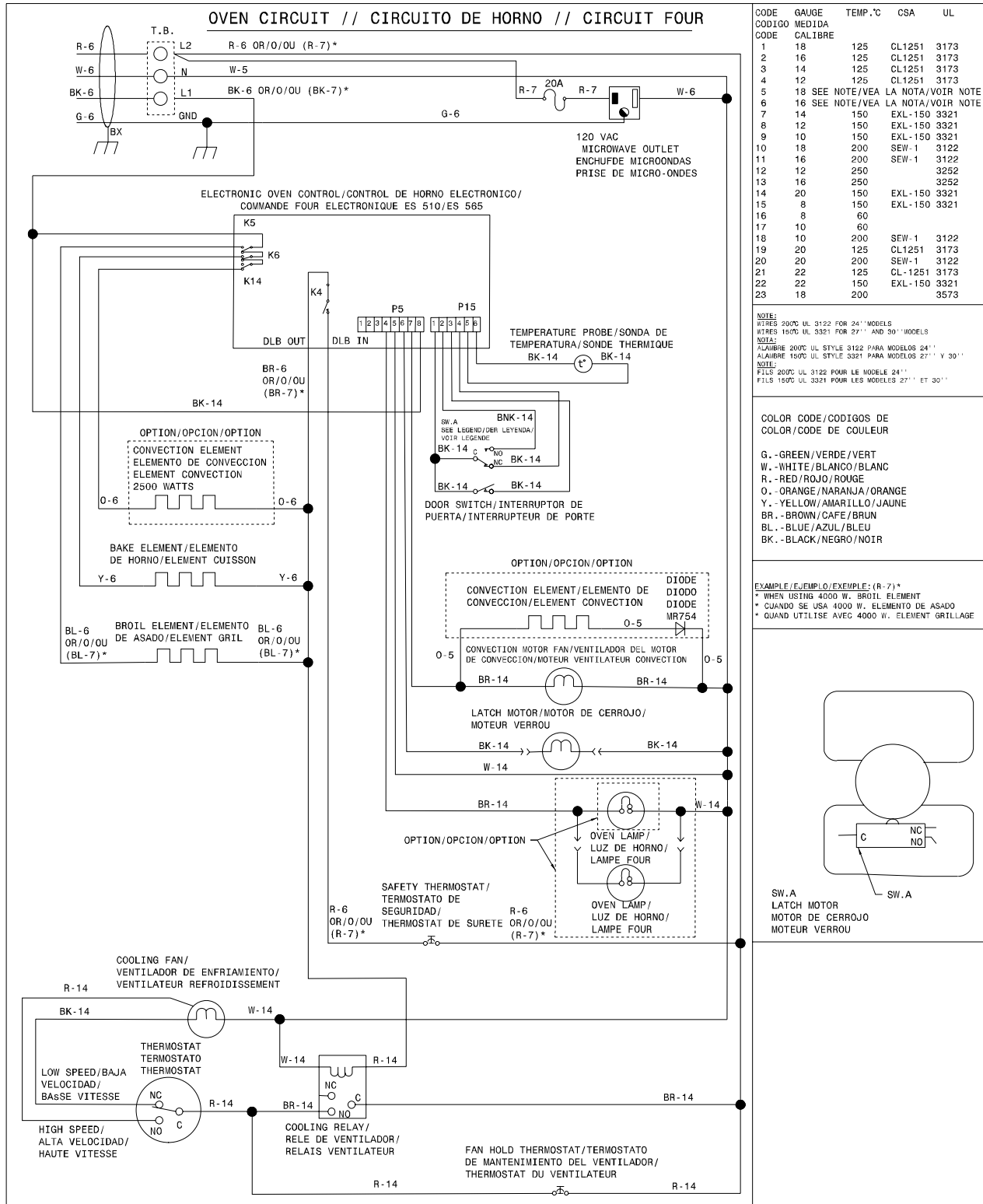


DPLEB30M9ECF

DOORS

| POS. NO | PART NO. | DESCRIPTION |
|---------|------------|---|
| 3A | 318260401 | Trim, oven door, side, (2) |
| 3B | 318262101 | Cover, rear door, black, (2) |
| 6 | 318260522 | Baffle, door |
| 7 | 318372000 | Insulation, door, (2) |
| 7A | 318372002 | Insulation, door, (2) |
| 8 | 316117500 | Glass, oven door, heat barrier |
| 9 | 318360108 | Liner, oven door |
| 10 | 5303308458 | Screw, 10-24, (4) |
| 12 | 318053121 | Seal, oven door |
| 13 | 318272197 | Door Assy, w/nameplate, stainless steel, outer, w/tape & foil |
| 16 | 318212210 | Glass, oven door, heat barrier, lower door |
| 17 | 318264710 | Spacer, glass, lower, (2) |
| 23 | 318567100 | Hinge, oven door, (2) |
| 24 | 318260301 | Trim, door, black, lower |
| 25 | 318370600 | Bracket, glass retainer, (2) |
| 39 | 316246100 | Handle, door/drawer, stainless |
| 40 | 318242702 | Bracket, glass holder, door, (2) |
| 41 | 5304452258 | Door Assembly, complete, stainless |
| 42 | 318382301 | Bracket, glass retainer, (4) |
| 43 | 5304440856 | Latch, door |
| 44 | 5304440316 | Spring, door latch |
| 45 | 5304440857 | Panel, inner door, black |
| 46 | 5304440860 | Seal, door, film |
| 47 | 5304440861 | Choke Cover, inner door |
| 48 | 5304442145 | Door Stop |
| 50 | 5304440862 | Door Stop |
| 51 | 5304452259 | Screw |
| 56 | 5304436875 | Screw, 8-18 X 1/2, black |
| 64 | 318165800 | Spacer |
| * | 5303323277 | Screw, 8-18 X 13/32 |

WIRING DIAGRAM



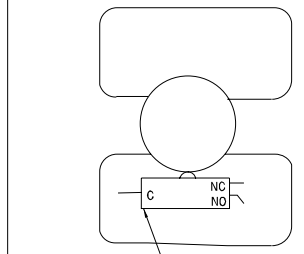
| CODE | GAUGE | TEMP. °C | CSA | UL |
|------|-------|--------------------------------|---------|------|
| 1 | 18 | 125 | CL1251 | 3173 |
| 2 | 16 | 125 | CL1251 | 3173 |
| 3 | 14 | 125 | CL1251 | 3173 |
| 4 | 12 | 125 | CL1251 | 3173 |
| 5 | 18 | SEE NOTE/VEA LA NOTA/VOIR NOTE | | |
| 6 | 16 | SEE NOTE/VEA LA NOTA/VOIR NOTE | | |
| 7 | 14 | 150 | EXL-150 | 3321 |
| 8 | 12 | 150 | EXL-150 | 3321 |
| 9 | 10 | 150 | EXL-150 | 3321 |
| 10 | 18 | 200 | SEW-1 | 3122 |
| 11 | 16 | 200 | SEW-1 | 3122 |
| 12 | 12 | 250 | | 3252 |
| 13 | 16 | 250 | | 3252 |
| 14 | 20 | 150 | EXL-150 | 3321 |
| 15 | 8 | 150 | EXL-150 | 3321 |
| 16 | 8 | 60 | | |
| 17 | 10 | 60 | | |
| 18 | 10 | 200 | SEW-1 | 3122 |
| 19 | 20 | 125 | CL1251 | 3173 |
| 20 | 20 | 200 | SEW-1 | 3122 |
| 21 | 22 | 125 | CL-1251 | 3173 |
| 22 | 22 | 150 | EXL-150 | 3321 |
| 23 | 18 | 200 | | 3573 |

NOTE: W/RES 200C UL 3122 FOR 24" MODELS W/RES 180C UL 3321 FOR 27" AND 29" MODELS
 NOTE: ALUMBRE 200C UL STYLE 3122 PARA MODELOS 24" ALUMBRE 180C UL STYLE 3321 PARA MODELOS 27" Y 30"
 NOTE: FILS 200C UL 3122 POUR LES MODELES 24" FILS 180C UL 3321 POUR LES MODELES 27" ET 30"

COLOR CODE/CODIGOS DE COLOR/CODE DE COULEUR

G. - GREEN/VERDE/VERT
 W. - WHITE/BLANCO/BLANC
 R. - RED/ROJO/ROUGE
 O. - ORANGE/NARANJA/ORANGE
 Y. - YELLOW/AMARILLO/JAUNE
 BR. - BROWN/CAFE/BRUN
 BL. - BLUE/AZUL/BLEU
 BK. - BLACK/NEGRO/NOIR

EXAMPLE/EJEMPLO/EXEMPLE: (R-7)*
 * WHEN USING 4000 W. BROIL ELEMENT
 * QUAND SE USA 4000 W. ELEMENT DE ASADO
 * QUAND UTILISE AVEC 4000 W. ELEMENT GRILLAGE



SW.A LATCH MOTOR MOTOR DE CERROJO MOTEUR VERROU

CAUTION: DISCONNECT POWER BEFORE SERVICING UNIT.
 ATENCION: CORTAR LA CORRIENTE ANTES DE REALIZAR EL MANTENIMIENTO DEL ELECTRODOMESTICO.
 ATTENTION: COUPEZ L'ALIMENTATION AVANT D'EFFECTUER LA REPARATION.

318046255 REV:B