

CFEF3052T S/W

FREESTANDING RANGE

30" ELECTRIC



AVAILABLE COLOURS



Stainless



White

PRODUCT DIMENSIONS

Height (Max.) 47"

Width 29-7/8"

Depth (Incl. Handle) 29-1/4"

MORE EASY-TO-USE FEATURES

Store-More™ Storage Drawer

With the Store-More™ Storage Drawer, you will have extra space to store your cookware.

Built with American Pride

Designed, engineered and assembled in the U.S.A.

Manual Clean Oven

ELEMENTS	SIZE	WATTS
Right Front	6"/9" Expandable	1,400/3,000
Right Rear	6"	1,200
Left Front	9"	3,000
Left Rear	6"	1,200
Centre	Keep Warm Zone	100

SIGNATURE FEATURES

Quick Boil

Get meals on the table faster with our 3,000W element — water boils faster than the traditional setting.

Keep Warm Zone

Keep food warm until everything — and everyone — is ready.

SpaceWise® Expandable Elements

Flexible elements expand to meet your cooking needs — big or small.

Extra-Large Window

Check on the status of your dish without having to open the oven door.

CFEF3052T S/W FREESTANDING RANGE

FRIGIDAIRE

30" ELECTRIC

FEATURES

Oven Control/Timing System	Ready-Select® Controls
Surface Type	Black Ceramic Glass
Window	Extra-Large
Exterior Door Finish	Stainless (S), Colour-Coordinated (W)
Handle Design	Stainless (S), Colour-Coordinated (W)
Exterior Finish (Side Panels)	Black (S), Colour-Coordinated (W)
Oven Cleaning System	Manual Clean
Drawer Functionality	Storage

OVEN CONTROLS

Bake	Yes
Broil	Variable
Kitchen Timer	Yes
Timed Cook Option	Yes

COOKTOP FEATURES

Right Front Element (Watts)	SpaceWise® Expandable 6"/9" - 1,400/3,000
Right Rear Element (Watts)	6" - 1,200
Left Front Element (Watts)	9" - 3,000
Left Rear Element (Watts)	6" - 1,200
Centre Element (Watts)	Keep Warm Zone - 100
Hot Surface Indicator Light	Yes
Element "On" Indicator Light	Yes

OVEN FEATURES

Capacity (Cu.Ft.)	4.9
Oven Light	1 Incandescent 40W
Rack Configuration	2 Standard
Baking System	Even Baking Technology
Broiling System	Vari-Broil™ (Hi/Lo)
Bake Element/Broil Element (Watts)	2,600/3,000

SPECIFICATIONS

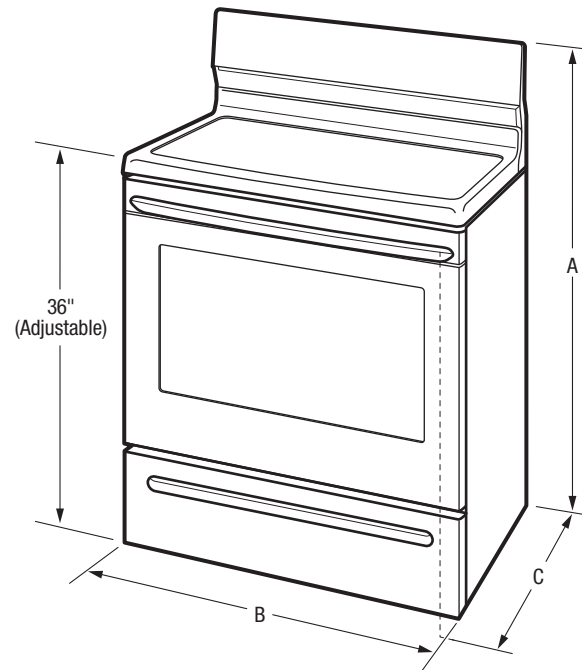
Oven Interior (H x W x D)	19-3/4" x 23" x 18-3/4"
Power Supply Connection Location	Middle Bottom Rear
Voltage Rating	240V/208V/60Hz
Connected Load (kW Rating) @ 240/208 Volts	12.5/9.5
Minimum Circuit Required (Amps)	40
Shipping Weight (Approx.)	165 Lbs.

PRODUCT DIMENSIONS

A - Height (Max.)	47"
B - Width	29-7/8"
C - Depth (Incl. Handle)	29-1/4"
Depth with Door Open 90°	45"

CABINET CUTOUT DIMENSIONS

Height (Standard)	36"
Width (Min.)	30"
Depth (Min.)	24"

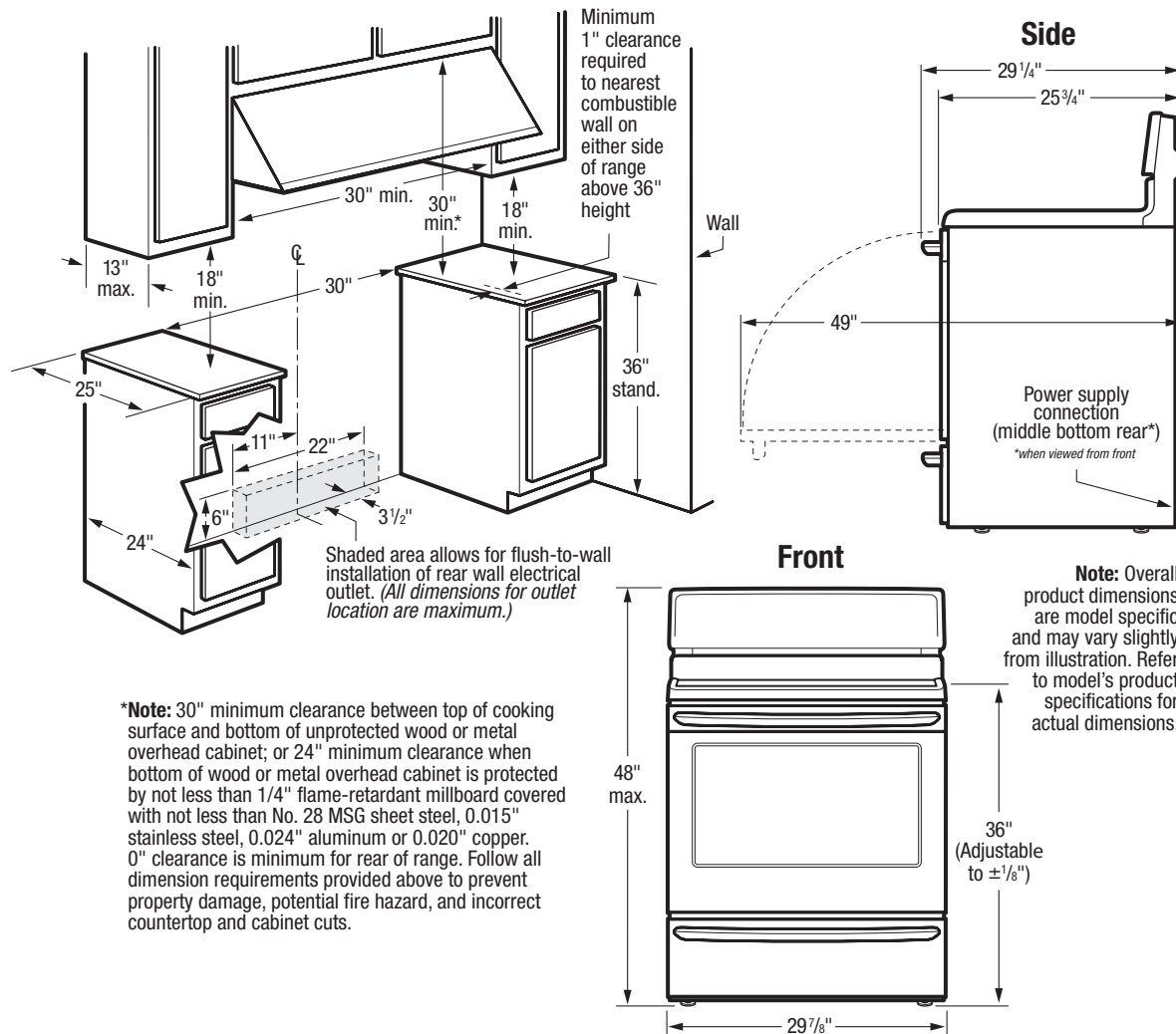


Note: For planning purposes only. Always consult local and national electric, gas and plumbing codes. Refer to Product Installation Guide for detailed installation instructions on the web at frigidaire.ca. Specifications subject to change. Accessories information available on the web at frigidaire.ca

FRIGIDAIRE

CANADA • 5855 Terry Fox Way • Mississauga, ON L5V 3E4 • 1-800-265-8352 • frigidaire.ca

CFEF3052T 06/18
© 2018 Electrolux Major Appliances, NA



INSTALLATION SPECIFICATIONS

- Product Shipping Weight (approx.) - 165 Lbs.
- Single phase 3- or 4-wire cable, 120/240 or 120/208 Volt, 60 Hertz, fused on both sides of line with ground.
- Connected Load (kW Rating) @ 240/208 Volts = 12.5/9.5kW
- Recommended Circuit Breaker - 40 Amps
- Always consult local and national electric codes.
- Make sure wall coverings around range can withstand heat generated by range.
- Floor beneath range MUST be solid and level.
- Overhead cabinetry should not exceed a 13" maximum depth.
- Absolute minimum horizontal distance between overhead cabinets installed to either side of appliance must be no less than maximum width of appliance.
- Range can be installed flush to wall with 0" minimum rear clearance.
- Minimum 1" clearance required from edge of rangetop to nearest combustible wall on either side of range above 36" height.
- Allow 30" minimum clearance between top of cooking surface and bottom of unprotected wood or metal overhead cabinet; or 24" minimum clearance when bottom of wood or metal overhead cabinet is protected by not less than 1/4" flame retardant millboard covered with not less than No. 28 MSG sheet steel, 0.015" stainless steel, 0.024" aluminum or 0.020" copper.
- To reduce risk of fire when using overhead cabinetry, install range hood that projects horizontally a recommended minimum of 5" beyond bottom of cabinets.
- Follow all dimension requirements provided to prevent property damage, potential fire hazard, and incorrect countertop and cabinet cuts.

