

## CFEH2411UW

### FREESTANDING RANGE

24" ELECTRIC



#### AVAILABLE COLOURS



White

#### PRODUCT DIMENSIONS

Height (Max.)	36"
Width	23-1/2"
Depth (Incl. Handle)	23-5/8"

#### MORE EASY-TO-USE FEATURES

**Colour-Coordinated Knobs**  
Stylish knobs that match the finish of the range.

#### CERTIFICATIONS

##### A.D.A.- Compliant

When properly installed, this model is A.D.A.-qualified based on the United States Access Board's A.D.A./A.B.A. Accessibility Guidelines and the Department of Justice's 2010 A.D.A. Standards for Accessible Design.



ELEMENTS	SIZE	WATTS
Right Front	8" Coil	2,400
Right Rear	6" Coil	1,500
Left Front	6" Coil	1,500
Left Rear	8" Coil	2,400

### SIGNATURE FEATURES

#### Compact Design Fits Small Spaces

24" Electric Range is perfect for smaller kitchens.

#### Faster, More Even Baking with Quick Bake

A third heating element and single convection fan circulate hot air throughout the oven for faster and more even multi-rack baking.

#### Cleanup is Easier with Hidden Bake

The hidden heating element helps keep bottom of your oven clean.

#### Storage Drawer

Convenient storage drawer offers extra space to store your cookware.

# CFEH2411UW FREESTANDING RANGE

24" ELECTRIC

FRIGIDAIRE

## FEATURES

Oven Control/Timing System	Ready-Select® Controls
Surface Type	Colour-Coordinated Porcelain
Window	Extra-Large
Exterior Door Finish	Black Glass
Handle Design	Colour-Coordinated
Exterior Finish (Side Panels)	Colour-Coordinated
Oven Cleaning System	Manual Clean
Drawer Functionality	Storage

## OVEN CONTROLS

Bake	Yes
Broil	Yes
Kitchen Timer	Yes
Timed Cook Option	Yes
Auto Oven Shut-Off	Yes
Oven Lock-Out	Yes

## COOKTOP FEATURES

Right Front Element (Watts)	8" - 2,400
Right Rear Element (Watts)	6" - 1,500
Left Front Element (Watts)	6" - 1,500
Left Rear Element (Watts)	8" - 2,400
Element-On Indicator Light	2
Coil Cooktop/Drip Bowls	Yes/Black Porcelain

## OVEN FEATURES

Capacity (Cu.Ft.)	1.9
Oven Light	1 Halogen
Hidden Bake Element	Yes
Rack Configuration	2 Standard
Baking System	Quick Bake
Broiling System	VariBroil™ (Hi/Lo)
Bake Element/Broil Element (Watts)	1,000/800

## CERTIFICATIONS

A.D.A. Compliant <sup>1</sup>	Yes
-------------------------------	-----

## SPECIFICATIONS

Oven Interior (H x W x D)	15-3/4" x 17-7/8" x 17-3/4"
Power Supply Connection Location	Middle Bottom Rear
Voltage Rating	240V/208V/60Hz
Connected Load (kW Rating) @ 240/208 Volts	8.6/6.4 kW
Minimum Circuit Required (Amps)	40
Shipping Weight (Approx.)	128 Lbs.

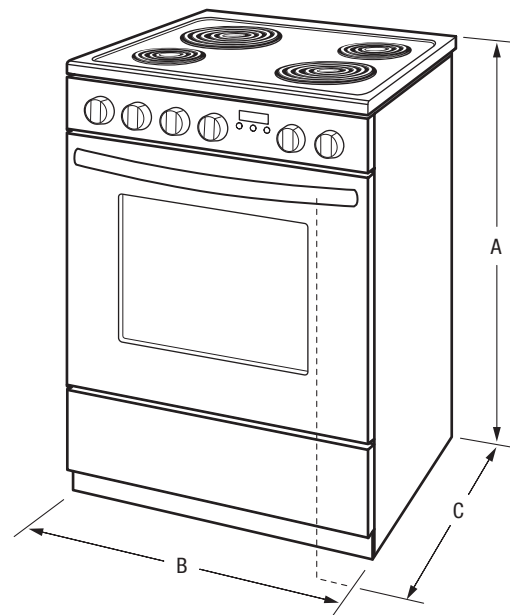
<sup>1</sup>When properly installed, this model is A.D.A.-qualified based on the United States Access Board's A.D.A./A.B.A. Accessibility Guidelines and the Department of Justice's 2010 A.D.A. Standards for Accessible Design.

## PRODUCT DIMENSIONS

A - Height (Max.)	36"
B - Width	23-1/2"
C - Depth (Incl. Handle)	23-5/8"
Depth with Door Open 90°	41-1/2"

## CUTOUT DIMENSIONS

Height (Standard)	36"
Width (Min.)	24"
Depth (Min.)	25"



**Note:** For planning purposes only. Always consult local and national electric, gas and plumbing codes. Refer to Product Installation Guide for detailed installation instructions on the web at [frigidaire.ca](http://frigidaire.ca).

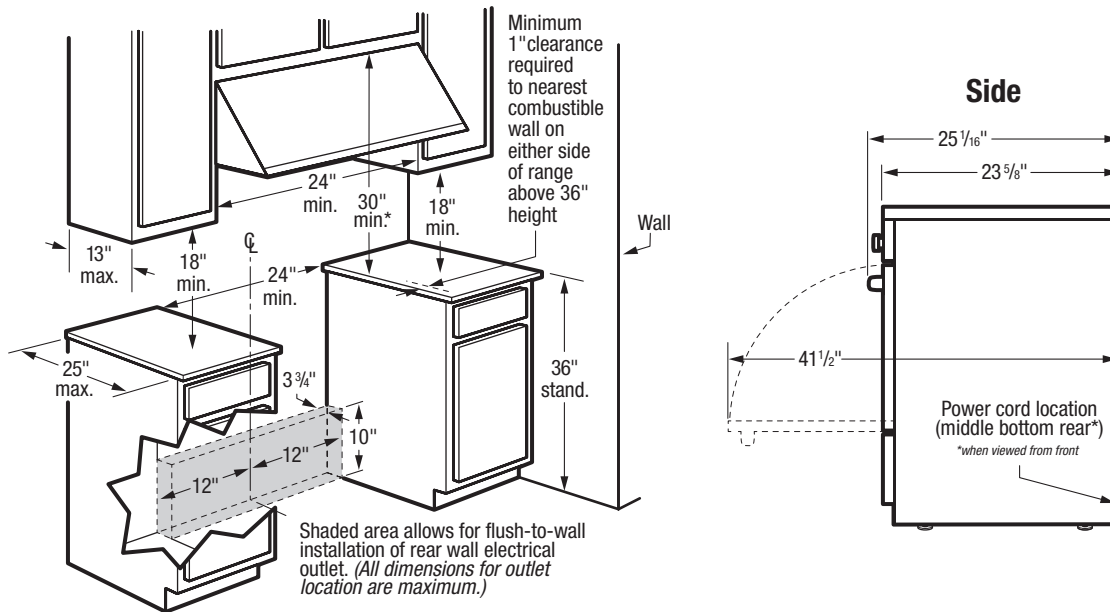
Specifications subject to change. Accessories information available on the web at [frigidaire.ca](http://frigidaire.ca)

FRIGIDAIRE

CANADA • 5855 Terry Fox Way • Mississauga, ON L5V 3E4 • 1-800-265-8352 • [frigidaire.ca](http://frigidaire.ca)



CFEH2411U 04/19  
© 2018 Electrolux Major Appliances, NA



**\*Note:** 30" minimum clearance between top of cooking surface and bottom of unprotected wood or metal overhead cabinet; or 24" minimum clearance when bottom of wood or metal overhead cabinet is protected by not less than 1/4" flame-retardant millboard covered with not less than No. 28 MSG sheet steel, 0.015" stainless steel, 0.024" aluminum or 0.020" copper. 0" clearance is minimum for rear of range. Follow all dimension requirements provided above to prevent property damage, potential fire hazard, and incorrect countertop and cabinet cuts.

## INSTALLATION SPECIFICATIONS

- Product Shipping Weight (approx.) – 128 Lbs.
- Single phase 3- or 4-wire cable, 120/240 or 120/208 Volt, 60 Hertz, fused on both sides of line with ground.
- Connected Load (kW Rating) @ 240/208 Volts = 8.6/6.4 kW
- Recommended Circuit Breaker – 40 Amps
- Always consult local and national electric codes.
- Make sure wall coverings around range can withstand heat generated by range.
- Floor beneath range MUST be solid and level.
- Overhead cabinetry should not exceed a 13" maximum depth.
- Absolute minimum horizontal distance between overhead cabinets installed to either side of appliance must be no less than maximum width of appliance.
- Range can be installed flush to wall with 0" minimum rear clearance.
- Minimum 1" clearance required from edge of rangetop to nearest combustible wall on either side of range above 36" height.
- Allow 30" minimum clearance between top of cooking surface and bottom of unprotected wood or metal overhead cabinet; or 24" minimum clearance when bottom of wood or metal overhead cabinet is protected by not less than 1/4" flame retardant millboard covered with not less than No. 28 MSG sheet steel, 0.015" stainless steel, 0.024" aluminum or 0.020" copper.
- To reduce risk of fire when using overhead cabinetry, install range hood that projects horizontally a recommended minimum of 5" beyond bottom of cabinets.
- Follow all dimension requirements provided to prevent property damage, potential fire hazard, and incorrect countertop and cabinet cuts.

