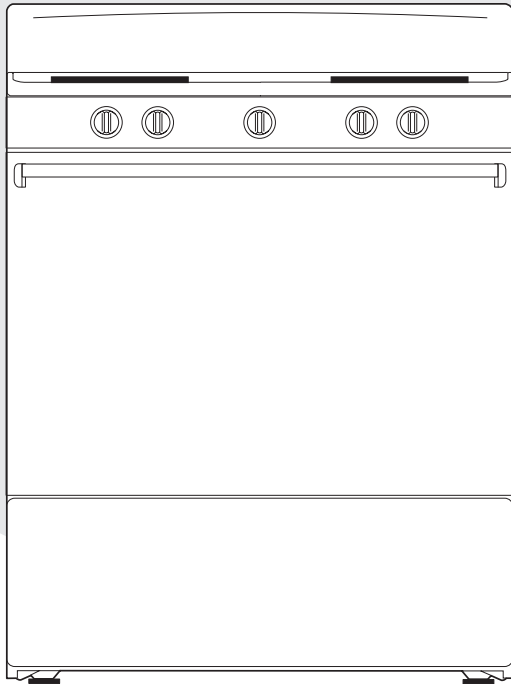


Frigidaire

 **Electrolux**

FACTORY
PARTS CATALOG



| PRODUCT NO. | BASE MODEL NO. | COLOR | MARKET |
|-------------|----------------|-------------|---------------|
| FEF303CWA | FEF303C | black/white | North America |

WIRING DIAGRAM - #316002674
OWNER'S GUIDE - # 316257101
INSTALLATION INSTRUCTIONS -# 316259200

**ELECTRIC
RANGE**

Model No.
FEF303C

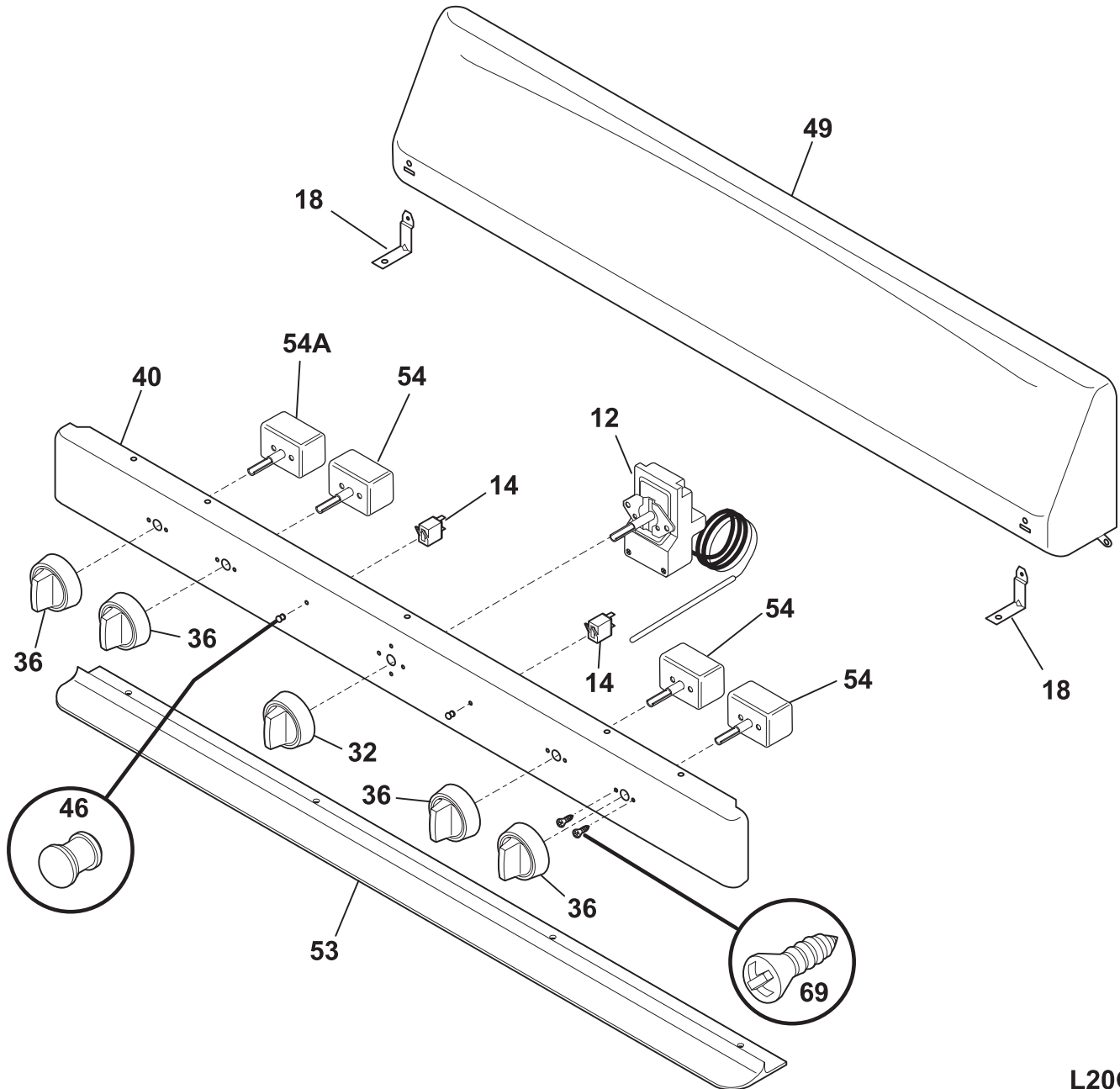
 **Electrolux**

ELECTROLUX HOME PRODUCTS, INC.
P.O. Box 212378, Augusta, GA 30917

Publication No.
5995384939
030129
-EN/SERVICE /ECL
369

©2003 Electrolux Home Products, Inc.
All rights reserved

BACKGUARD

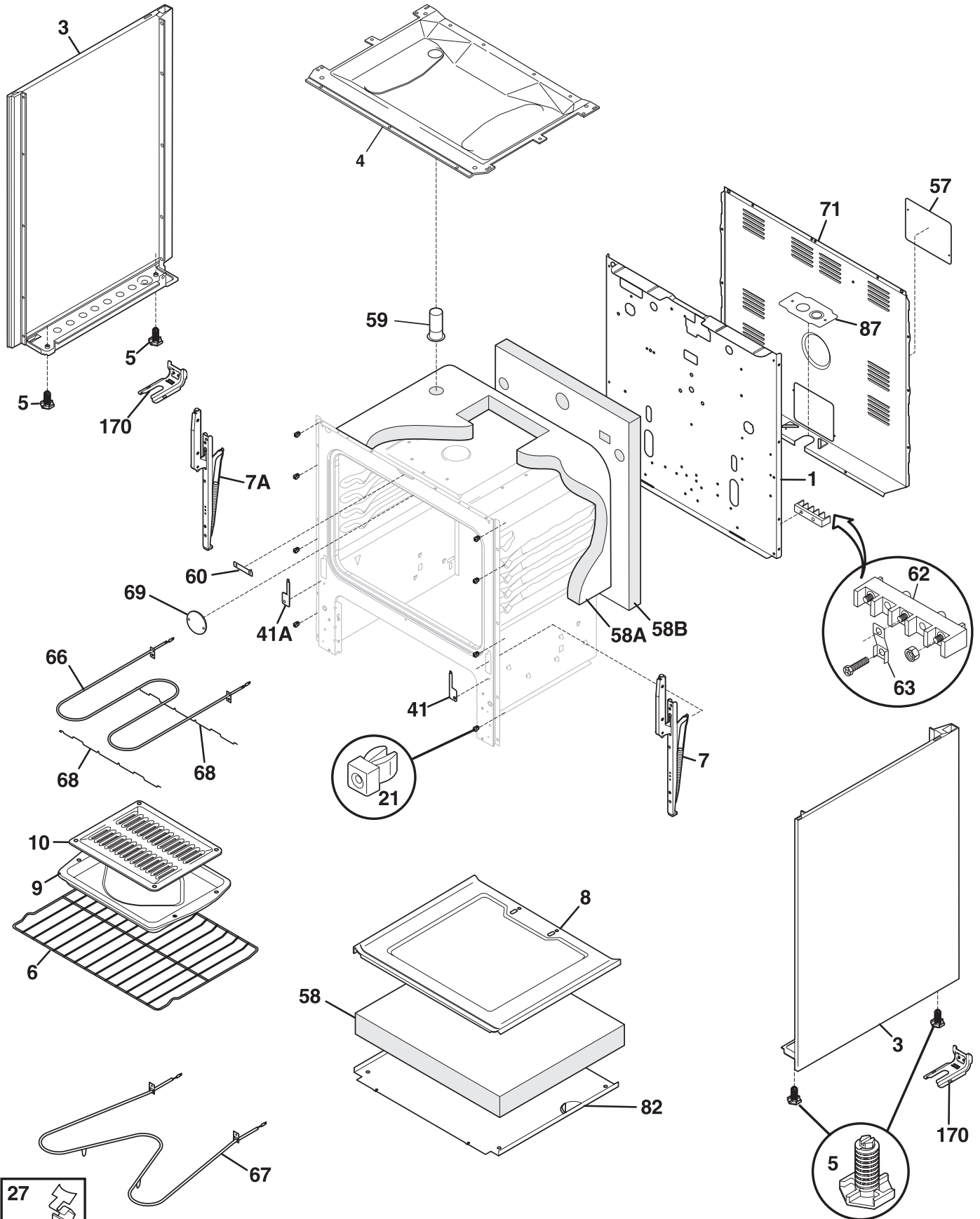


L20G0051

BACKGUARD

| POS. NO | PART NO | DESCRIPTION |
|---------|------------|---|
| 12 # | 316032409 | Thermostat |
| 14 | 316022503 | Light/Lamp,indicator ,surface ,250 V |
| 18 | 316263900 | Bracket,backguard |
| 32 | 316102330 | Knob,thermostat ,black |
| 36 | 316102307 | Knob,control ,black |
| 40 | 316201838 | Panel,manifold ,black |
| 46 | 316040201 | Lens,indicator light ,red |
| 49 | 316263802 | Panel,backguard ,white |
| 53 | 316238500 | Shield,heat ,extrusion |
| 54 # | 5303051540 | Switch,element ,6" |
| 54A# | 5301313767 | Switch,element ,8" |
| 69 | 5303288565 | Screw,truss sqdr ,8-32 x 3/16 ,switch mtg |
| * | 316021108 | Screw,cup pt ,8-18 x 0.375 ,chrome |
| * | 316021109 | Screw,8-18 x 0.5 ,chrome |
| * | 316021110 | Screw,8-18 x 0.5 ,black |

BODY



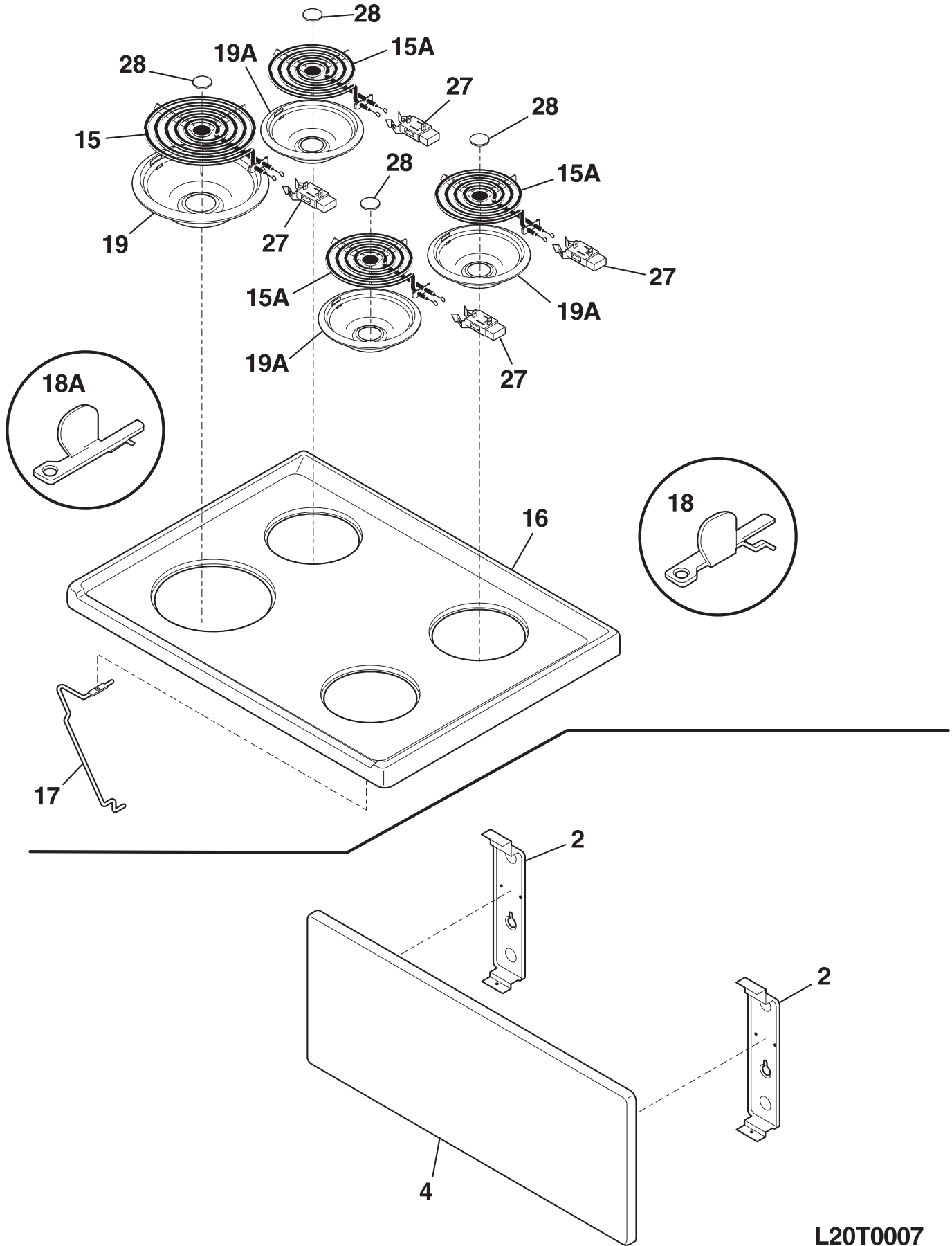
**NOTE: Oven Liner N/A
Ass. du four N/A**

L20V0005

BODY

| POS. NO | PART NO | DESCRIPTION |
|---------|------------|--|
| 1 | 316080805 | Panel,main back ,dipped ,black ,short |
| 3 | 316230114 | Panel,bodyside ,white ,RH |
| 3 | 316230115 | Panel,bodyside ,white ,LH |
| 3* | 316021131 | Screw,bodyside ,8-18 X 11/16 ,white |
| 4 | 316210101 | Burner Box |
| 5 | 316129200 | Screw,leveling ,plastic ,with stop |
| 6 | 316067902 | Rack,oven |
| 7 | 316216502 | Hinge,oven door ,RH |
| 7A | 316216503 | Hinge,oven door ,LH |
| 8 | 3203540 | Panel,oven bottom |
| 9 | 316081900 | Pan,broiler |
| 10 | 316082000 | Insert,broiler pan |
| 21 | 3014099 | Spacer,bodyside |
| 27 | 5303284616 | Clip,thermo bulb mtg |
| 41 | 316233400 | Cover,hinge cutout ,RH |
| 41A | 316233500 | Cover,hinge cutout ,LH |
| 57 | 316081100 | Cover,access |
| 58 | 3200847 | Insulation,oven bottom |
| 58A | 316047707 | Insulation,1" ,oven wrapper |
| 58B | 316054202 | Insulation,1" ,oven back |
| 59 | 316073601 | Tube,oven vent |
| 60 | 316239100 | Cover,oven front |
| 62 # | 5303935061 | Terminal Block Kit |
| 62* | 316205500 | Nut,hex flange ,3/8 10-32 |
| 63 | 316208500 | Plate,grounding strap |
| 66 # | 316203200 | Element,broil |
| 67 | 316075103 | Element,bake |
| 68 | 316203400 | Support,broil element |
| 69 | 3051218 | Plate,oven light |
| 71 | 316015812 | Shield,rear wall |
| 71* | 316248900 | Spacer,shield ,rear wall |
| 82 | 5303289913 | Shield,insulation |
| 87 | 316081200 | Bracket,cable mtg |
| 170 | 5303935180 | Anti-tip Kit,w/bracket,screw |
| 170* | 316107200 | Bracket,anti-tip |
| 170* | 316112500 | Template,anti-tip |
| 170* | 316116000 | Screw,concrete ,1.75" ,anti-tip brkt |
| * # | 316253123 | Wiring Harness,main |
| * | 3051367 | Clip,wire |
| * | 3203550 | Plug,button ,oven bottom |
| * | 316210800 | Plug,button ,oven light |
| * | 316246400 | Plug,button ,oven probe |
| * | 316073400 | Plate,weight ,(3) |
| * | 5303305324 | Paint,touch-up ,white |
| * | 5303305345 | Paint,touch-up ,black |
| * | 316021108 | Screw,cup pt ,8-18 x 0.375 ,chrome |
| * | 5303271648 | Screw,wafer hd sq dr ,8-18AB x 0.5 |
| * | 5303280311 | Screw,wafer hd sq dr ,10-32 x 0.312 |
| * | 5303285179 | Screw,wafer head ,8-32T x 0.500 ,black |
| * | 5308014215 | Screw,6-20 x 0.312 |

TOP/DRAWER

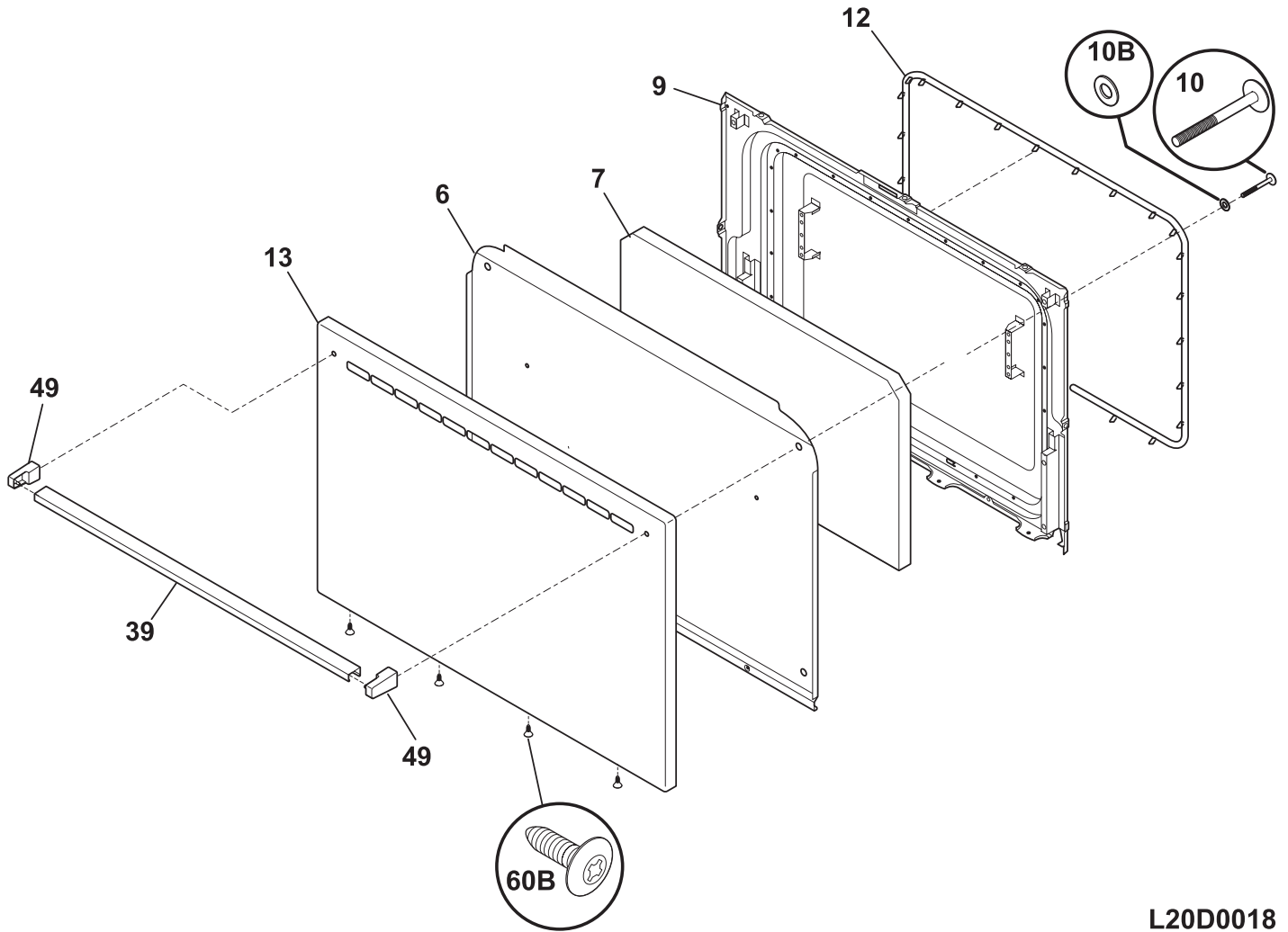


L20T0007

TOP/DRAWER

| POS. NO | PART NO | DESCRIPTION |
|----------------|----------------|--|
| 2 | 316211900 | Bracket,dummy ,drawer front |
| 4 | 316231216 | Panel,dummy ,white ,drawer front |
| 15 # | 3051450 | Element,surface ,8" large |
| 15A# | 3051449 | Element,surface ,6" small |
| 16 | 316245406 | Main Top,white |
| 17 | 316066900 | Rod,maintop support |
| 18 | 08067747 | Bracket,hinge ,main top RH |
| 18A | 08067746 | Bracket,hinge ,main top LH |
| 19 # | 316048413 | Pan-surface element,chrome ,large/8 inch,(2) |
| 19A# | 316048414 | Pan-surface element,chrome ,small/6 inch,(2) |
| 27 # | 5303912666 | Terminal Block Kit,surface element |
| 28 | 5303017715 | Medallion,1 1/2"dia ,black ,surface element |
| * # | 5303290291 | Wiring Harness,surface element |
| * | 316021108 | Screw,cup pt ,8-18 x 0.375 ,chrome |
| * | 316021109 | Screw,8-18 x 0.5 ,chrome |
| * | 316021110 | Screw,8-18 x 0.5 ,black |
| * | 5303280311 | Screw,wafer hd sq dr ,10-32 x 0.312 |
| * | 5308014215 | Screw,6-20 x 0.312 |

DOOR

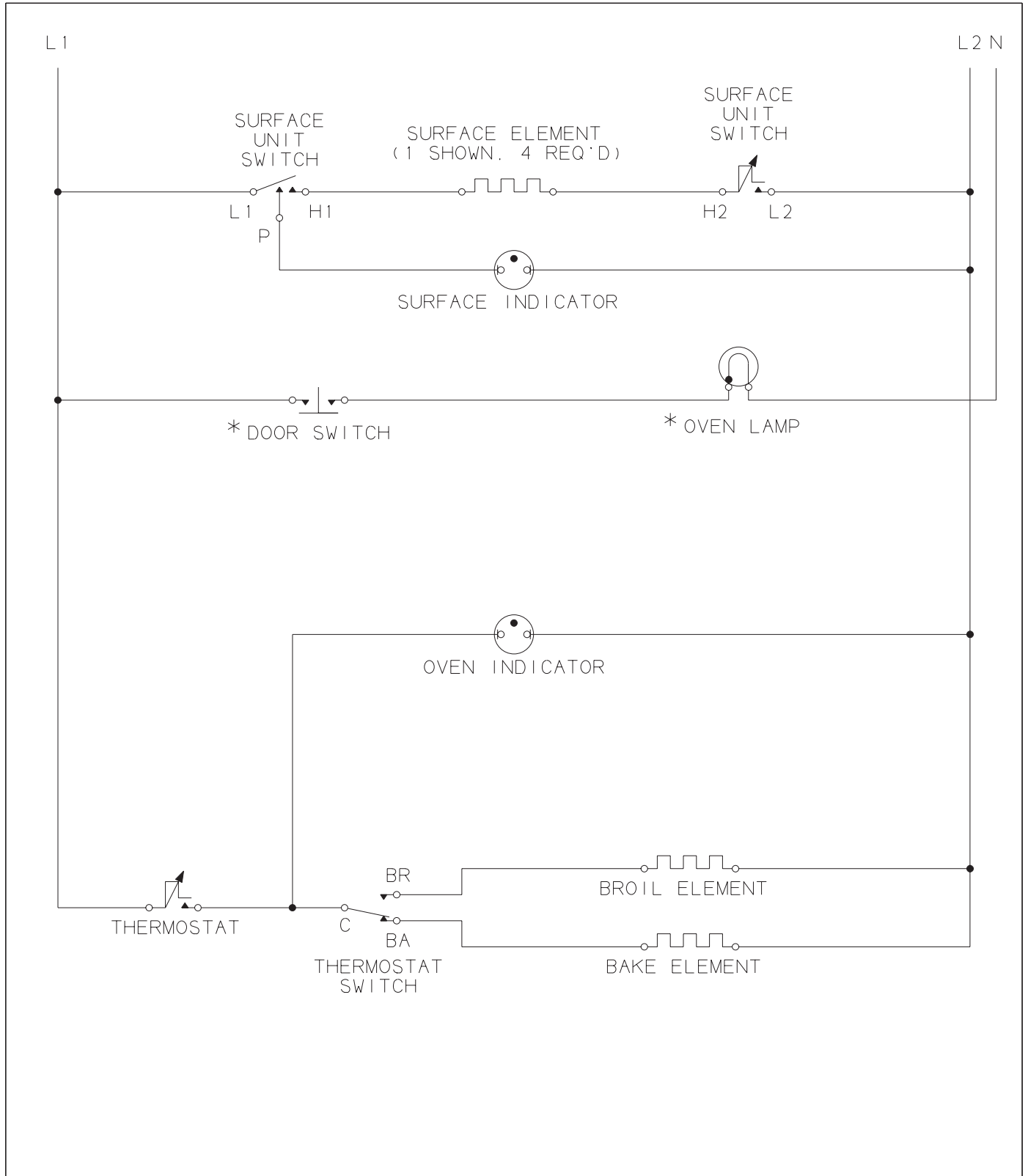


L20D0018

DOOR

| POS. NO | PART NO | DESCRIPTION |
|---------|------------|--|
| 6 | 316222705 | Shield,wool ,oven door |
| 7 | 316236801 | Insulation,oven door |
| 9 | 316230603 | Liner,oven door |
| 10 | 316001009 | Screw,waf hd sq ,10-24 x 1.88 ,(2) ,handle mtg |
| 10B | 316008401 | Washer,3/4 OD x 1/4 ID ,steel |
| 12 | 316239700 | Seal,oven door |
| 13 | 316202603 | Panel,oven door ,white |
| 39 | 316020204 | Handle,door ,black ,oven |
| 49 | 316137003 | End Cap,handle ,black ,(2) |
| 60B | 316021110 | Screw,8-18 x 0.5 ,black |
| * | 316221001 | Label,anti-tip |
| * | 316021109 | Screw,8-18 x 0.5 ,chrome |
| * | 5303271648 | Screw,wafer hd sq dr ,8-18AB x 0.5 |
| * | 5303280311 | Screw,wafer hd sq dr ,10-32 x 0.312 |
| * | 5303285179 | Screw,wafer head ,8-32T x 0.500 ,black |

WIRING DIAGRAM



| THERMOSTAT SELECTOR SWITCH | | |
|-----------------------------|------|-------|
| CONTACTS | BAKE | BROIL |
| C-BA | X | |
| C-BR | | X |
| X INDICATES CONTACTS CLOSED | | |

316002674

* THESE COMPONENTS MAY NOT APPEAR ON ALL MODELS.