

Frigidaire

Factory Parts Catalog

Product No.	FEF326FBA	FEF326FQA	FEF326FSA
Series	30" f/s elec	30" f/s elec	30" f/s elec
Color	black	bisque	white
Market	North America	North America	North America
Wiring Diagram	316255302	316255302	316255302
Owner's Guide	316257129	316257129	316257129
Installation Instructions	316454901	316454901	316454901
Service Data Sheet	316218512	316218512	316218512

 **Electrolux**

Electrolux Major Appliances
North & Latin America
P.O. BOX 212378
AUGUSTA, GA 30917

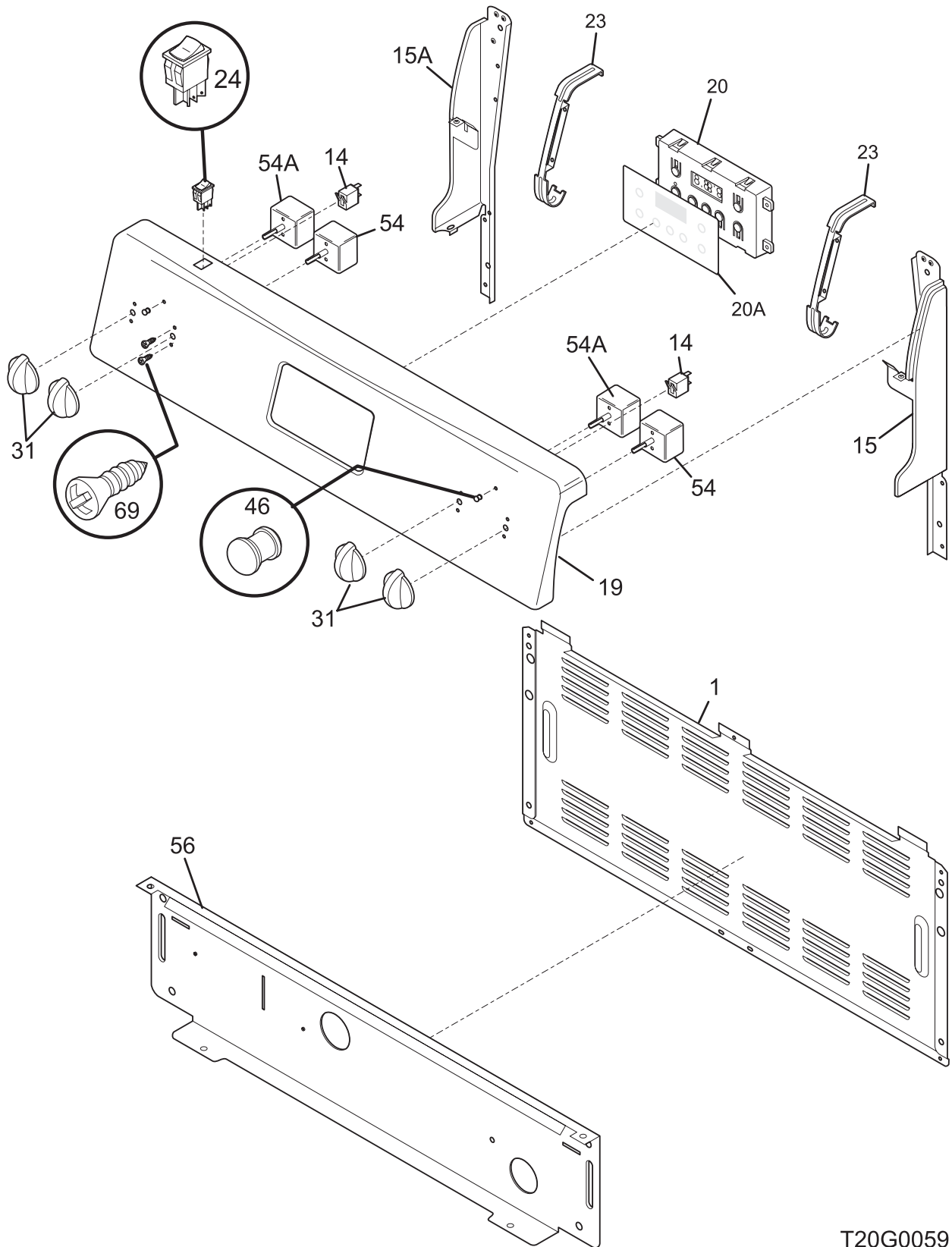
Publication No.
5995458493
06/01/12
(EN/SERVICE/BJH)
369

**30-INCH FREE-
STANDING ELECTRIC
RANGE**

Model No.
FEF326F

Copyright © 2006 Electrolux Home Products, Inc.
All rights reserved.

BACKGUARD



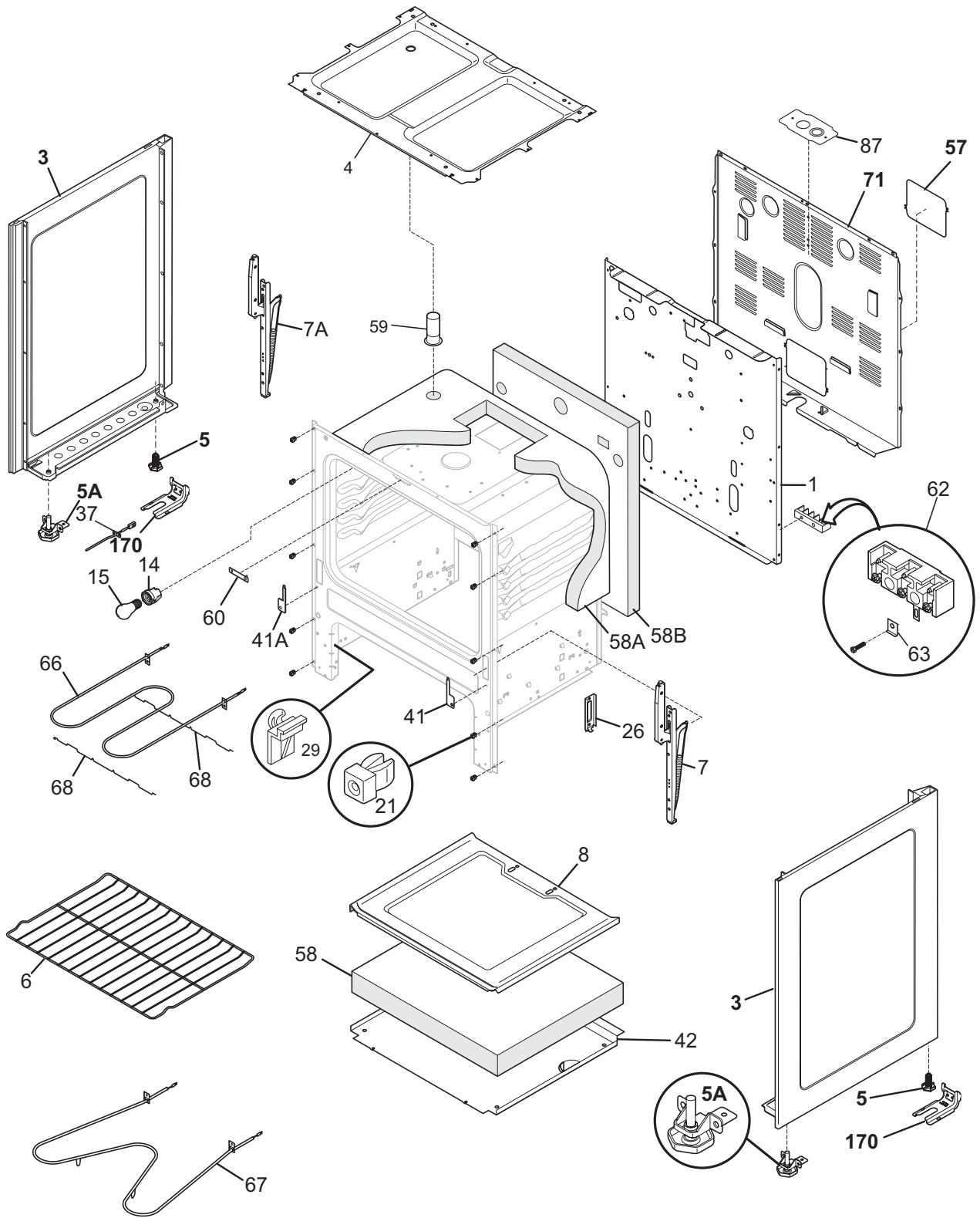
T20G0059

BACKGUARD

Model Index: A FEF326F (FEF326FBA)
 B FEF326F (FEF326FOA)
 C FEF326F (FEF326FSA)

POS. NO	PART NO.		DESCRIPTION
1	316416100	A B C	Shield, backguard, rear wall
14	316022500	A B C	Light/Lamp, indicator, 125 V
15	316411405	A - -	Support, backguard, black, RH
15	316411407	- B -	Support, backguard, bisque, RH
15	316411403	- - C	Support, backguard, white, RH
15A	316411404	A - -	Support, backguard, black, LH
15A	316411406	- B -	Support, backguard, bisque, LH
15A	316411402	- - C	Support, backguard, white, LH
19	316445203	A - -	Panel-backguard, black
19	316445205	- B -	Panel-backguard, bisque
19	316445204	- - C	Panel-backguard, white
20 #	316222807	A B C	Clock/Timer, electronic, ES100
20A	316220701	A - -	Overlay, clock, black
20A	316220702	- B -	Overlay, clock, bisque
20A	316220700	- - C	Overlay, clock, white
23	316441600	A B C	Bracket-clock mtg, black
24 #	316448700	A - -	Switch, rocker, black, oven light
24 #	316448702	- B -	Switch, rocker, bisque, oven light
24 #	316448701	- - C	Switch, rocker, white, oven light
31	316223002	A - -	Knob, control, black
31	316223003	- B -	Knob, control, bisque
31	316223000	- - C	Knob, control, white
46	316040201	A B C	Lens, indicator light, red
54 #	316436000	A B C	Switch, infinite, small element
54A#	316436001	A B C	Switch, infinite, large element
56	316234013	A - -	Shield, backguard, black, inner
56	316234014	- B -	Shield, backguard, bisque, inner
56	316234012	- - C	Shield, backguard, white, inner
69	5303288565	A B C	Screw, truss sqdr, 8-32 x 3/16, switch mtg
*	316021105	A B C	Screw, hex head cup pt, 8-18 x 0.375, black
*	316021108	A B C	Screw, cup pt, 8-18 x 0.375, chrome
*	316021110	A B C	Screw, 8-18 x 0.5, black

BODY



NOTE: Oven Liner N/A
Ass. du four N/A

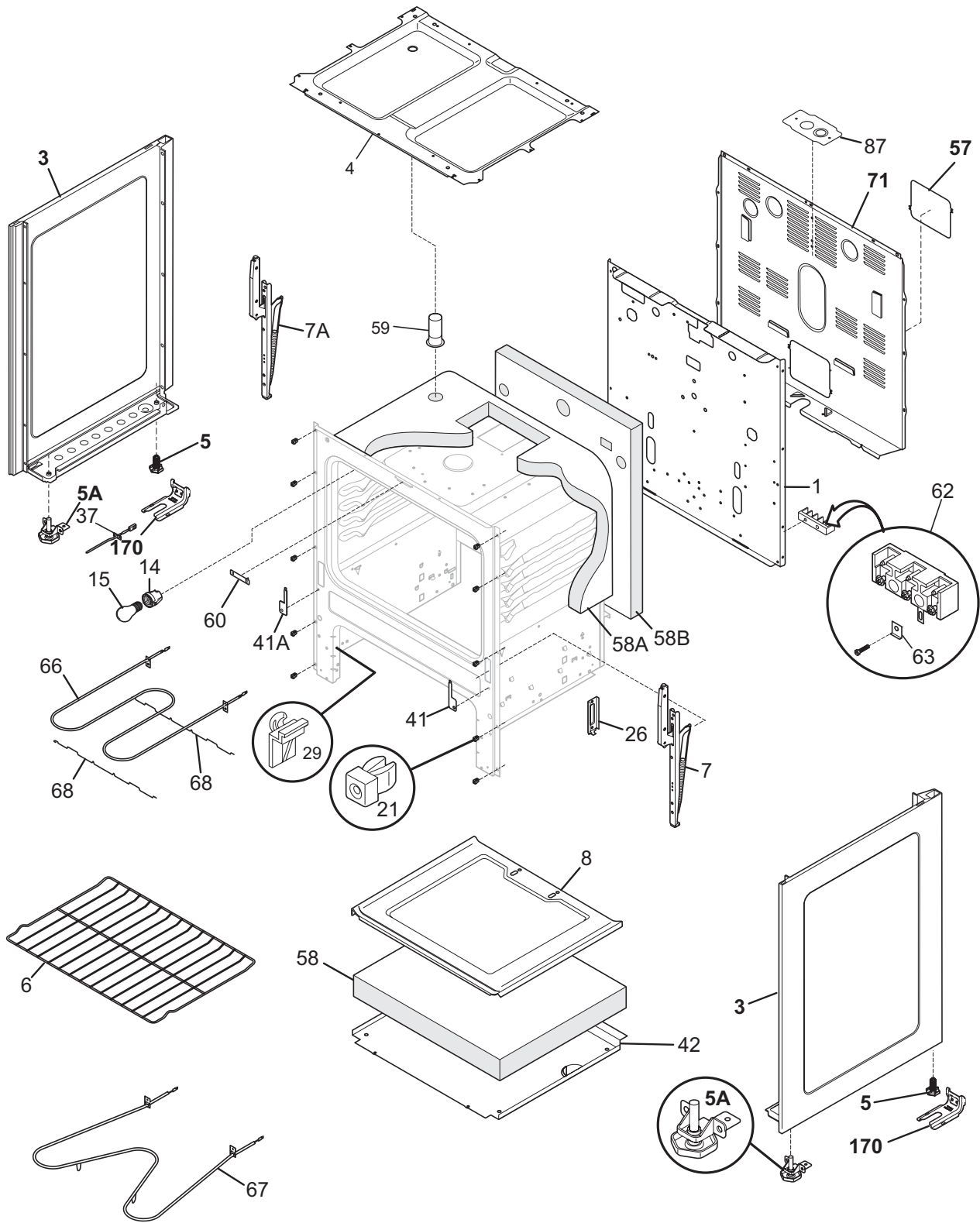
T20V0078

BODY

Model Index: A FEF326F (FEF326FBA)
 B FEF326F (FEF326FQA)
 C FEF326F (FEF326FSA)

POS. NO	PART NO.		DESCRIPTION
1	316201300	A B C	Back, main
3	316400118	A - -	Panel, bodyside, black, RH
3	316400119	A - -	Panel, bodyside, black, LH
3	316400120	- B -	Panel, bodyside, bisque, RH
3	316400121	- B -	Panel, bodyside, bisque, LH
3	316400116	- - C	Panel, bodyside, white, RH
3	316400117	- - C	Panel, bodyside, white, LH
4	316201401	A B C	Burner Box
5	316272900	A B C	Screw, leveling, plastic, rear, (2)
5A	316407201	A B C	Leveling Leg Assy, metal, front, (2), bracket & leg
6	316067902	A B C	Rack, oven
7	316216502	A B C	Hinge, oven door, RH
7A	316216503	A B C	Hinge, oven door, LH
8	3203540	A B C	Panel, oven bottom
14	316116400	A B C	Receptacle, oven light
15	5303013071	A B C	Bulb/Lamp, light
21	316408000	A B C	Clip, bodyside
26	316206300	A B C	Support, chassis, (2)
29	3051162	A B C	Glide, drawer, front
37 #	316233900	A B C	Probe, oven temp
41	316233400	A B C	Cover, hinge cutout, RH
41A	316233500	A B C	Cover, hinge cutout, LH
42	316206200	A B C	Shield, wool, lower
57	316457800	A B C	Cover, access
58	3200847	A B C	Insulation, oven bottom
58A	316047707	A B C	Insulation, 1", oven wrapper
58B	316054202	A B C	Insulation, 1", oven back
59	316073605	A B C	Tube, oven vent
60	316239100	A B C	Cover, oven front
62	5303935238	A B C	Terminal Block Kit, w/ground plate
62*	316205500	A B C	Nut, hex flange, 3/8 10-32
63	316278800	A B C	Plate, grounding strap
66 #	316203200	A B C	Element, broil
67	316075103	A B C	Element, bake
68	316203400	A B C	Support, broil element
71	316422304	A B C	Shield, rear wall
71*	316248900	A B C	Spacer, shield, rear wall
87	316081200	A B C	Bracket, cable mtg
170	5303935180	A B C	Anti-tip Kit, w/bracket, screw
170*	316107200	A B C	Bracket, anti-tip
170*	316112500	A B C	Template, anti-tip
170*	316116000	A B C	Screw, concrete, 1.75", anti-tip brkt
* #	316253146	A B C	Wiring Harness, main
*	3203550	A B C	Plug, button, oven bottom
*	316210800	A B C	Plug, button
*	316427400	A B C	Plate, weight, (4)
*	5303305345	A - -	Paint, touch-up, black

BODY



NOTE: Oven Liner N/A
Ass. du four N/A

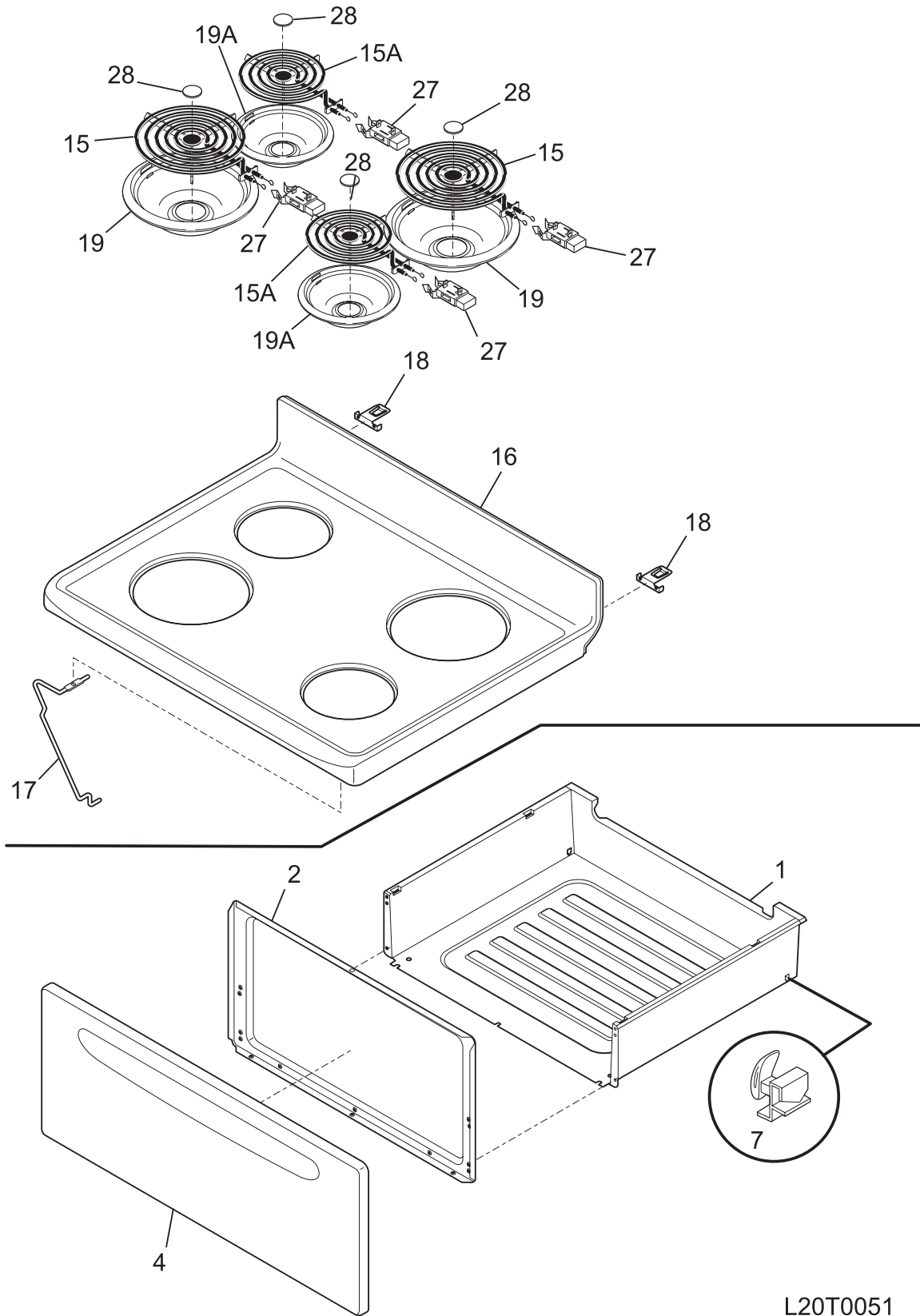
T20V0078

BODY

Model Index: A FEF326F (FEF326FBA)
 B FEF326F (FEF326FQA)
 C FEF326F (FEF326FSA)

POS. NO	PART NO.		DESCRIPTION
*	5304414035	- B -	Paint, touch-up, bisque
*	5303321319	- - C	Paint, touch-up, white
*	316021105	A B C	Screw, hex head cup pt, 8-18 x 0.375, black
*	316021108	A B C	Screw, cup pt, 8-18 x 0.375, chrome
*	316021110	A B C	Screw, 8-18 x 0.5, black
*	316089500	A B C	Screw, 10-16 x .486
*	5303271648	A B C	Screw, wafer hd sq dr, 8-18AB x 0.5
*	5303285179	A B C	Screw, wafer head, 8-32T x 0.500, black
*	5308014215	A B C	Screw, 6-20 x 0.312

TOP/DRAWER



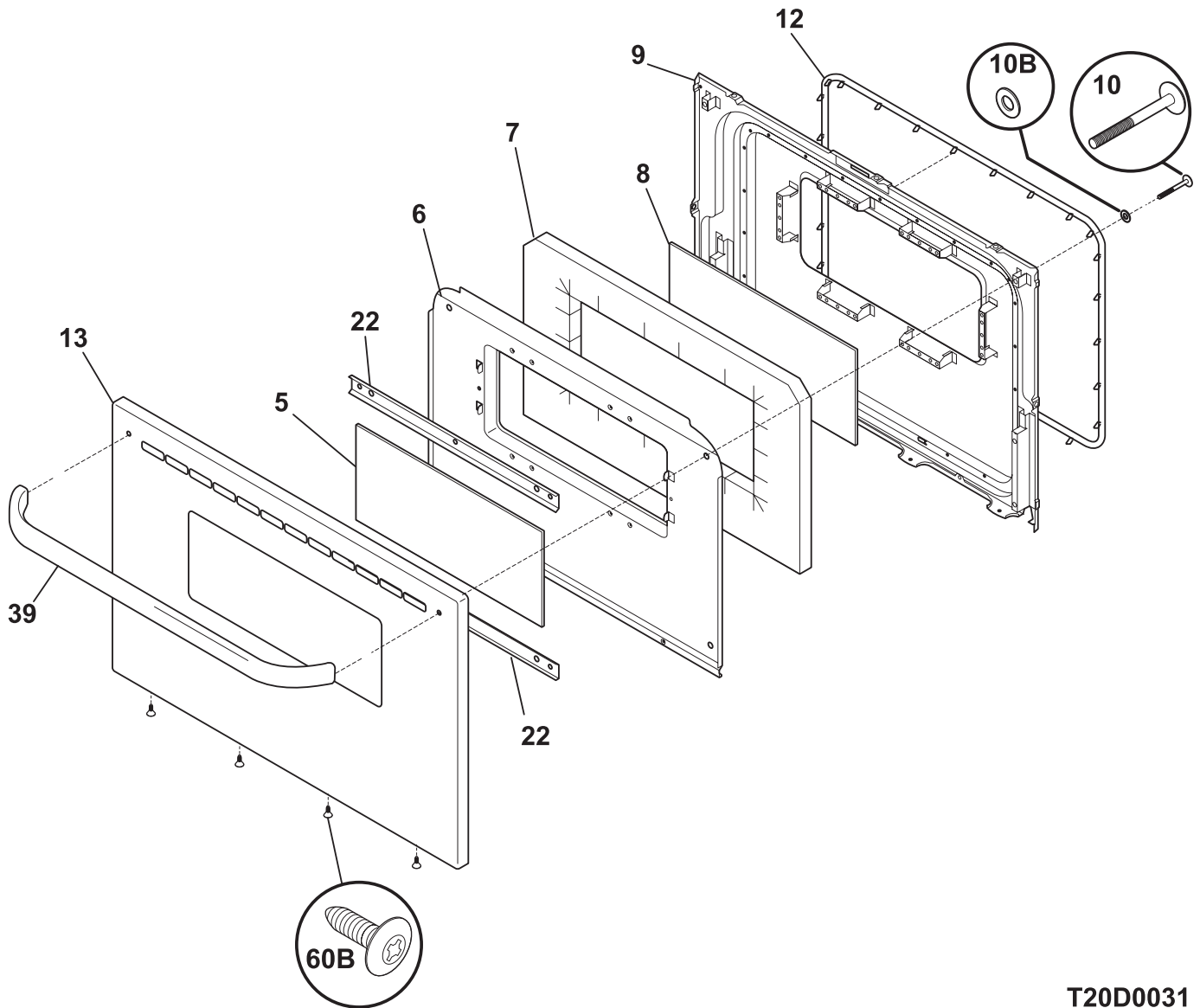
L20T0051

TOP/DRAWER

Model Index: A FEF326F (FEF326FBA)
 B FEF326F (FEF326FQA)
 C FEF326F (FEF326FSA)

POS. NO	PART NO.		DESCRIPTION
1	316011503	A B C	Drawer
2	316231500	A B C	Liner, drawer
4	316231306	A - -	Panel, drawer, black
4	316231309	- B -	Panel, drawer, bisque
4	316231305	- - C	Panel, drawer, white
7	3051163	A B C	Glide, drawer, rear
15 #	5303012223	A B C	Element, surface, 8", large
15A#	08067762	A B C	Element, surface, 6", small
16	316202362	A - -	Main Top, black
16	316202364	- B -	Main Top, bisque
16	316202363	- - C	Main Top, white
17	316057601	A B C	Rod, support, main top
18	316436600	A B C	Hinge Bracket, maintop, (2)
19 #	316048413	A B C	Pan-surface element, chrome, large/8 inch, (2)
19A#	316048414	A B C	Pan-surface element, chrome, small/6 inch, (2)
27 #	5303912666	A B C	Terminal Block Kit, surface element
28	3017801	A B C	Medallion, stainless steel, surf elem
28	5303017715	A B C	Medallion, 1 1/2" dia, black, surface element
* #	316253501	A B C	Wiring Harness, surface element
*	316021105	A B C	Screw, hex head cup pt, 8-18 x 0.375, black
*	316021108	A B C	Screw, cup pt, 8-18 x 0.375, chrome
*	316021110	A B C	Screw, 8-18 x 0.5, black
*	5308014215	A B C	Screw, 6-20 x 0.312

DOOR



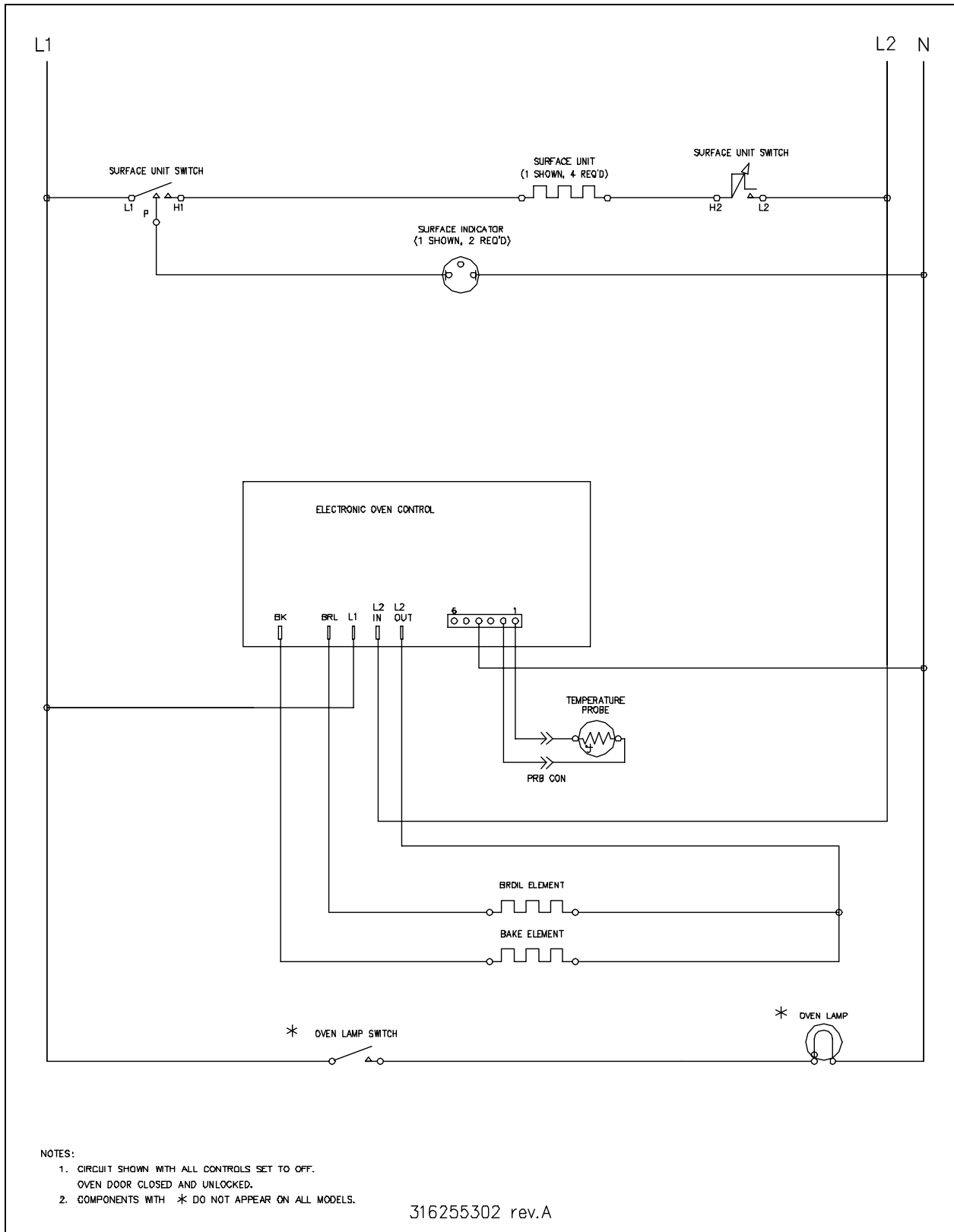
T20D0031

DOOR

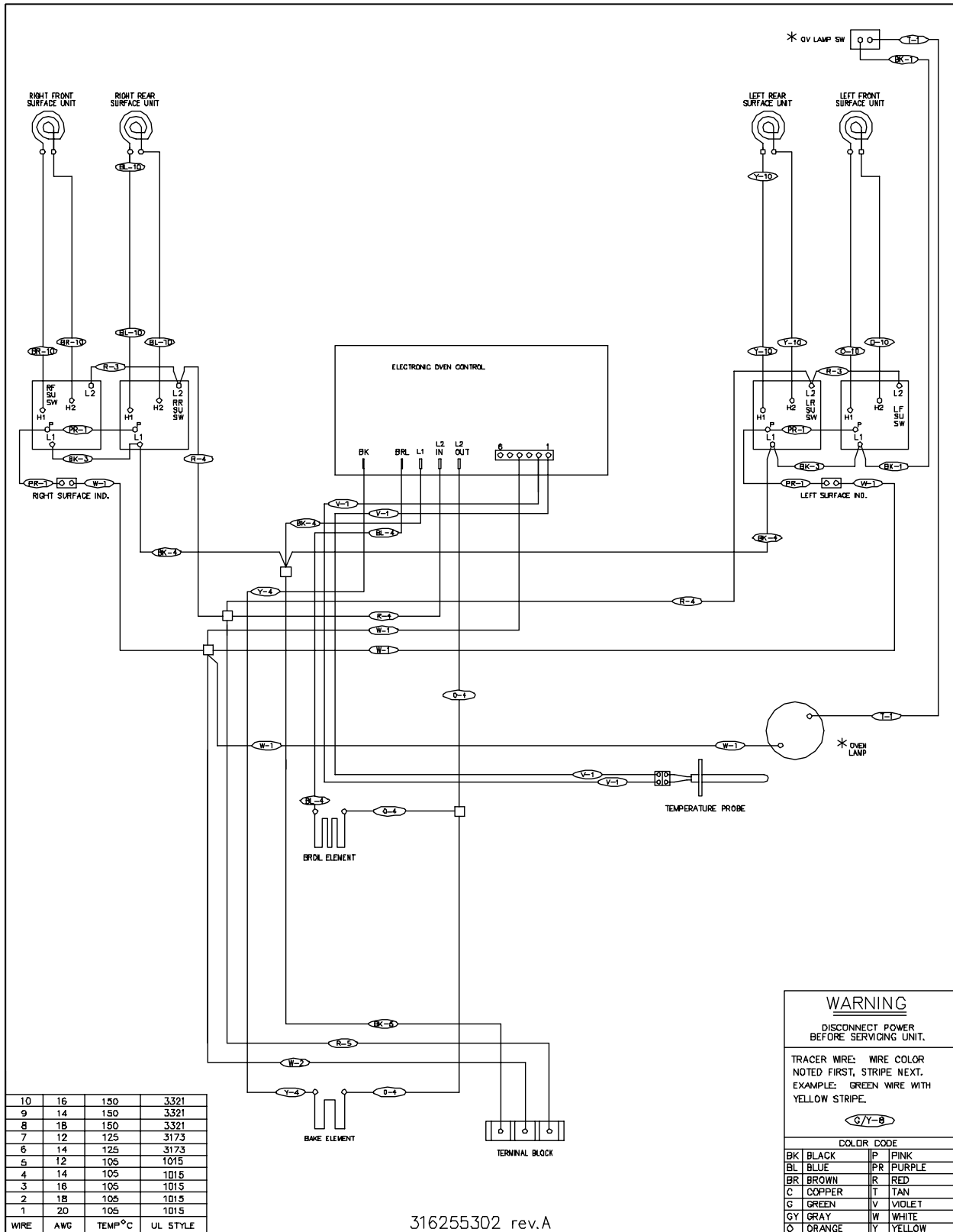
Model Index: A FEF326F (FEF326FBA)
 B FEF326F (FEF326FQA)
 C FEF326F (FEF326FSA)

POS. NO	PART NO.		DESCRIPTION
5	316458300	A B C	Glass, oven door, clear, outer
6	316222709	A B C	Shield, oven door, wool
7	316236800	A B C	Insulation, oven door
8	316088600	A B C	Glass, oven door, inner
9	316230616	A B C	Liner, oven door
10	316001014	A B C	Screw, waf hd sq, 10-24 x 1.6, handle, (2)
10B	316008401	A B C	Washer, 3/4 OD x 1/4 ID, steel
12	316239700	A B C	Seal, oven door
13	316202701	A - -	Panel, oven door, black
13	316202704	- B -	Panel, oven door, bisque
13	316202702	- - C	Panel, oven door, white
22	5303272476	A B C	Retainer, glass, (2), angle
39	316248300	A - -	Handle, oven door, black
39	316248304	- B -	Handle, oven door, bisque
39	316248301	- - C	Handle, oven door, white
60B	316021110	A B C	Screw, 8-18 x 0.5, black
*	316433600	A B C	Label, anti-tip
*	316245600	A B C	Seal, door, air gap
*	5303271648	A B C	Screw, wafer hd sq dr, 8-18AB x 0.5
*	5303285179	A B C	Screw, wafer head, 8-32T x 0.500, black

WIRING SCHEMATIC



WIRING DIAGRAM



316255302 rev.A