

# FRIGIDAIRE GALLERY

GCRG3038AD  
GCRG3038AF

Gas Ranges

Available Colors : Black Stainless Steel, Stainless Steel

30" Freestanding Gas Range with Steam Clean

Version : 04/20



## Product Specifications

### Cooking Controls

Bake	Yes
Broil	Yes
Cancel	Yes
Control Lock	Yes
Display Type	Membrane
Door Lock	Yes
Preheat	Integrated with Bake
Quick Bake	Yes
Steam Clean	Yes

### Oven

Baking System	18000 BTU
Broil System	13500 BTU
Oven 1 Interior Color	Slate Blue
Oven 1 Interior Depth	19-1/8"
Oven 1 Interior Height	18-5/8"
Oven 1 Interior Width	24-3/8"
Oven 1 Rack Configuration	2 - Flat Rack
Oven 1 Rack Positions	6 Positions
Oven Cleaning System	Self 23 Hours

### Capacities

Total Capacity	5
----------------	---

### Electrical Specifications

Minimum Circuit Required (Amps)	5A
Voltage Rating	120V 60Hz

### Accessories

Probe	No
-------	----

### Certifications & Approvals

Agency Approval	CSA Certified
CSA Certified	Yes
Sabbath Mode	Yes

### General Specifications

Adjustable Leveling Legs	4 Adjustable
PROP 65 Label	Yes

### Controls

Auto Shut-Off	Yes
Display Type	Digital (White LED)

### Cooktop

Center	9500 BTU (Round)
Cooking Surface	Color Coordinated Porcelain
Electronic Ignition	Yes
Grate Color	Black Matte
Grate Material	Cast Iron
Grates	3 Continuous Grates
Knob Type	Color Coordinated
Left Front	9500 BTU
Left Rear	14000 BTU
Right Front	17000 BTU
Right Rear	5000 BTU

### Exterior

Cabinet Color	Color Coordinated
Cooktop Finish	Color Coordinated Porcelain
Drawer Finish	Color Coordinated
Manifold Finish	Color Coordinated

### Drawer

Drawer Functionality	Storage
Handle	Color Coordinated

### Dimensions: Exterior

Depth	25-3/4"
Depth (with Door 90° Open)	46-5/8"
Depth Including Handle	29-1/4"
Height	48 1/2"
Width	30"

Note: For planning purposes only. Always consult local and national electric, gas and plumbing codes. Refer to Product Installation Guide for detailed installation instructions on the web at [frigidaire.com/frigidaire.ca](http://frigidaire.com/frigidaire.ca). Specifications subject to change. Accessories information available on the web at [frigidaire.com/frigidaire.ca](http://frigidaire.com/frigidaire.ca)

FRIGIDAIRE

USA • 10200 David Taylor Drive • Charlotte, NC 28262 • 1-800-FRIGIDAIRE • [frigidaire.com](http://frigidaire.com)  
CANADA • 5855 Terry Fox Way • Mississauga, ON L5V 3E4 • 1-800-265-8352 • [frigidaire.ca](http://frigidaire.ca)

# FRIGIDAIRE GALLERY

GCRG3038AD  
GCRG3038AF

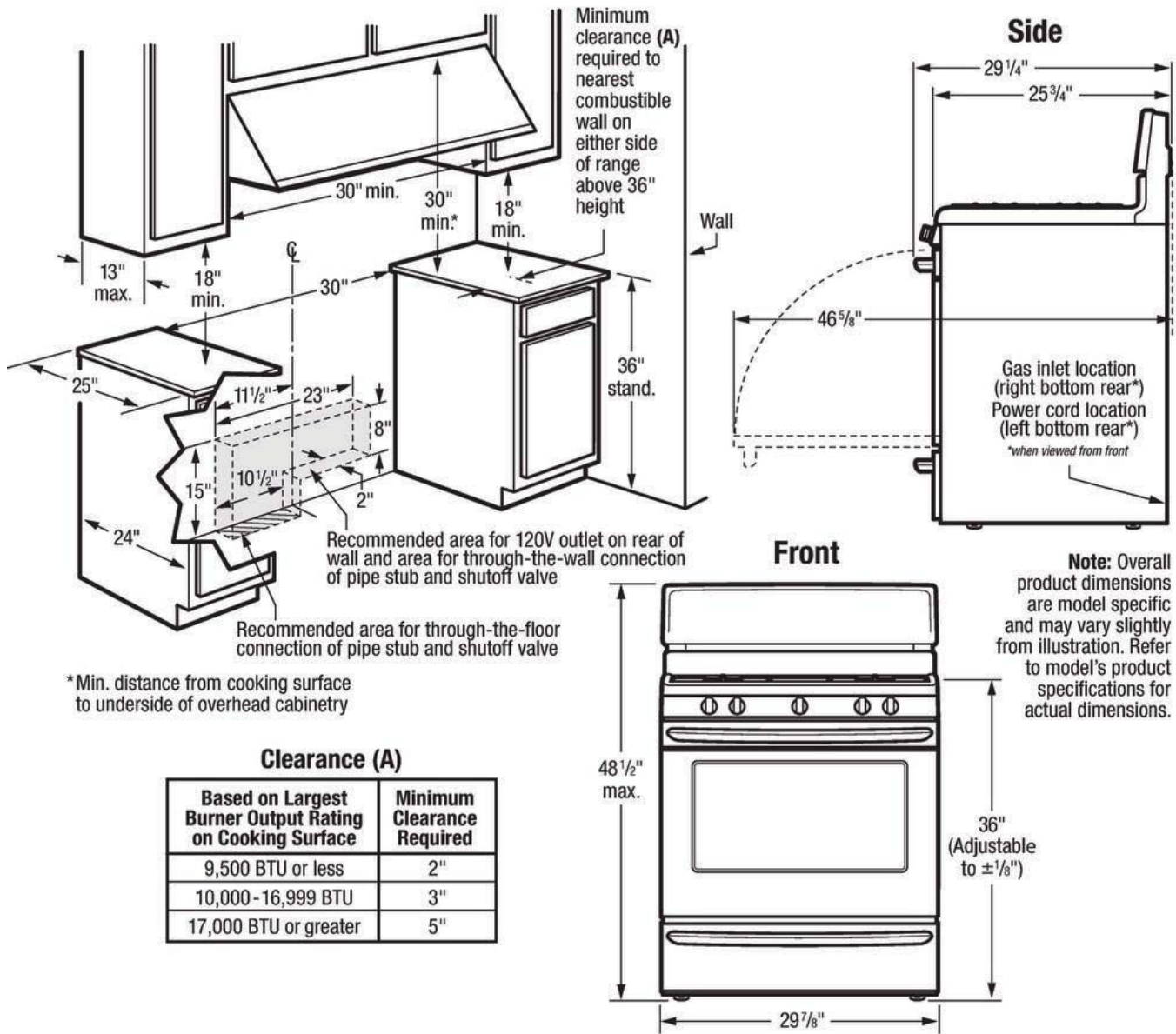
Gas Ranges

Available Colors : Black Stainless Steel, Stainless Steel

30" Freestanding Gas Range with Steam Clean

Version : 04/20

## Installation Drawing



### Clearance (A)

Based on Largest Burner Output Rating on Cooking Surface	Minimum Clearance Required
9,500 BTU or less	2"
10,000 - 16,999 BTU	3"
17,000 BTU or greater	5"

\*Min. distance from cooking surface to underside of overhead cabinetry

Note: For planning purposes only. Always consult local and national electric, gas and plumbing codes. Refer to Product Installation Guide for detailed installation instructions on the web at [frigidaire.com/frigidaire.ca](http://frigidaire.com/frigidaire.ca). Specifications subject to change. Accessories information available on the web at [frigidaire.com/frigidaire.ca](http://frigidaire.com/frigidaire.ca)

FRIGIDAIRE

USA • 10200 David Taylor Drive • Charlotte, NC 28262 • 1-800-FRIGIDAIRE • [frigidaire.com](http://frigidaire.com)  
CANADA • 5855 Terry Fox Way • Mississauga, ON L5V 3E4 • 1-800-265-8352 • [frigidaire.ca](http://frigidaire.ca)