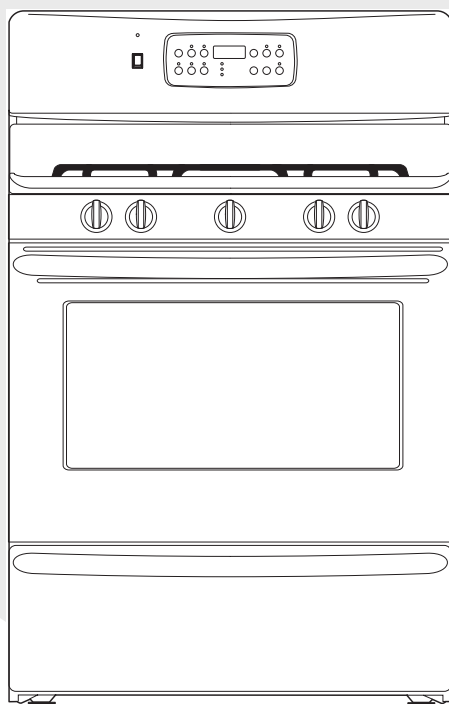


Frigidaire

Factory Parts Catalog



Product No.	GLGFZ386FCA
Series	30" f/s gas
Color	stainless
Market	North America
Wiring Diagram	316417808
Owner's Guide	316417130
Installation Instructions	316259336
Service Data Sheet	316417603

 **Electrolux**

Electrolux Major Appliances
North & Latin America
P.O. BOX 212378
AUGUSTA, GA 30917

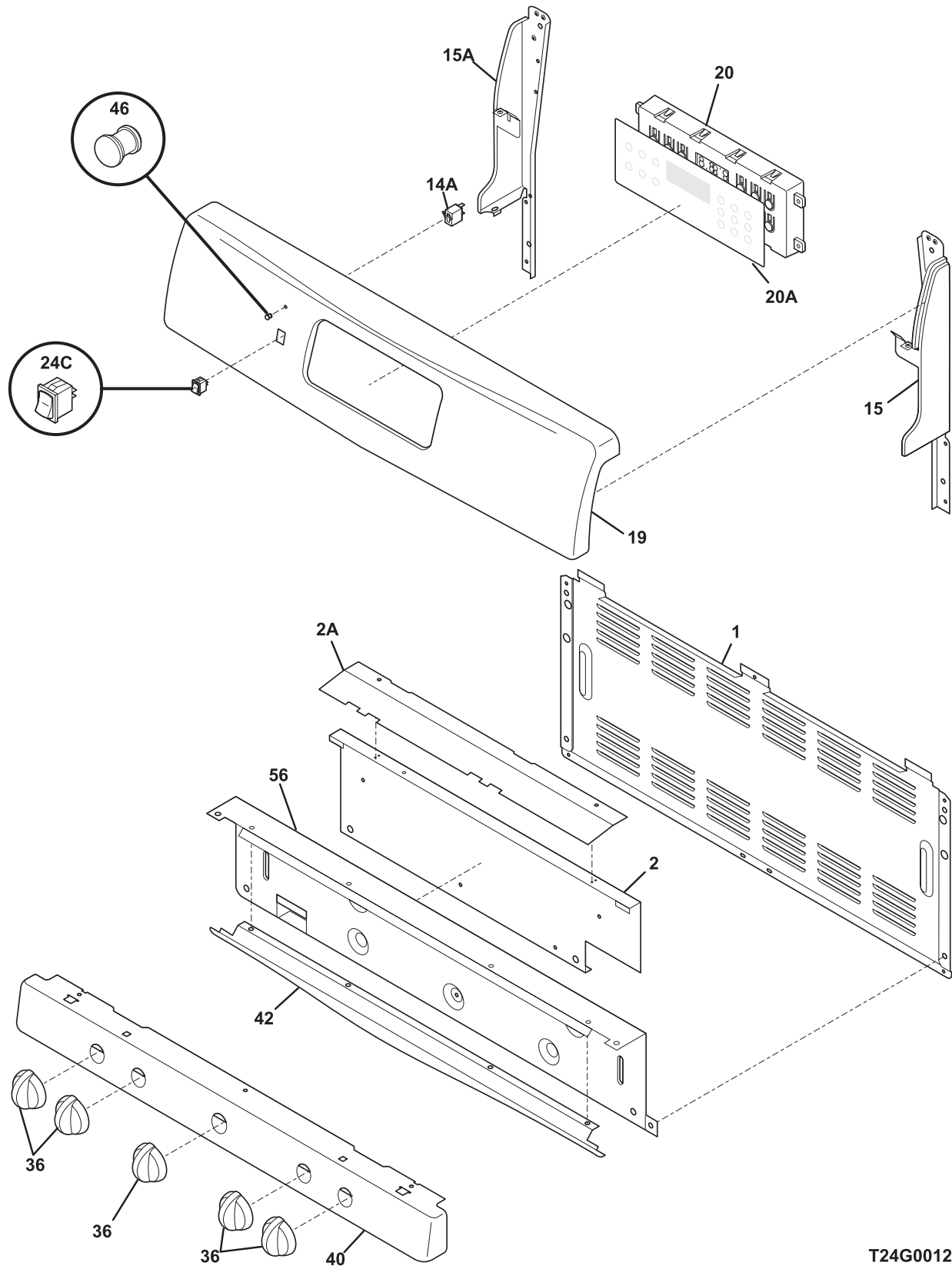
Publication No.
5995471728
06/08/04
(EN/SERVICE/BJH)
369

**30-INCH FREE-
STANDING GAS
RANGE**

Model No.
GLGFZ386F

Copyright © 2006 Electrolux Home Products, Inc.
All rights reserved.

BACKGUARD

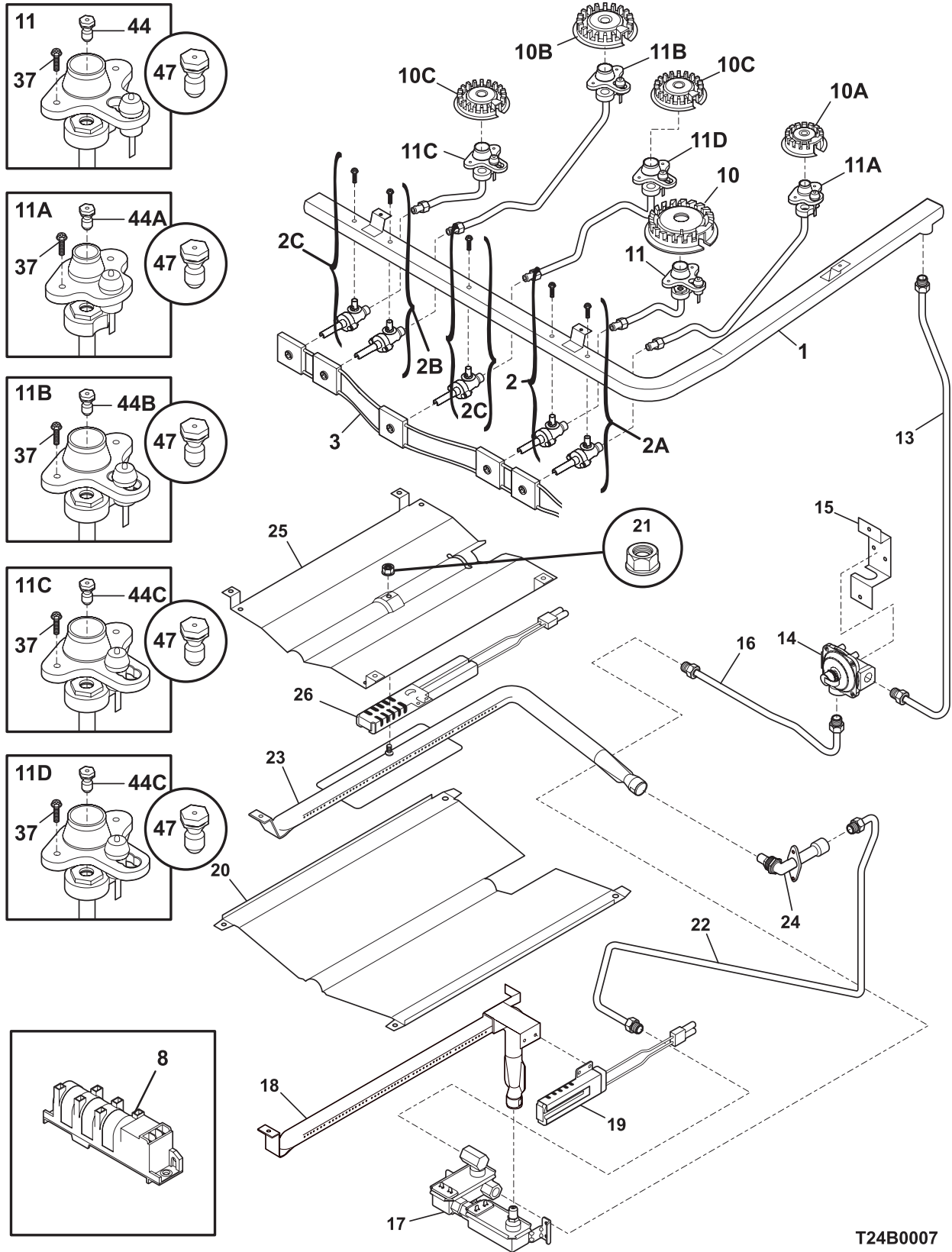


T24G0012

BACKGUARD

POS. NO	PART NO.	DESCRIPTION
1	316416100	Shield, backguard, rear wall
2	316051600	Shield, backguard, inner
2A	316235100	Shield, top, inner
14A	316022500	Light/Lamp, indicator, 125 V
15	316411405	Support, backguard, black, RH
15A	316411404	Support, backguard, black, LH
19	316424194	Panel, control, stainless
20 #	316418306	Clock/Timer, electronic, ES340
20A	316419303	Overlay, clock, black, ES340
24C#	316259800	Switch-rocker, black
36	316220002	Knob, top valve, black, 4
40	316447320	Panel, manifold, black
42	316416200	Trim, extrusion, black
46	316040201	Lens, indicator light, red
56	316230701	Shield, backguard, inner
*	316021105	Screw, hex head cup pt, 8-18 x 0.375, black
*	316021108	Screw, cup pt, 8-18 x 0.375, chrome
*	316021109	Screw, 8-18 x 0.5, chrome
*	316021110	Screw, 8-18 x 0.5, black

BURNER

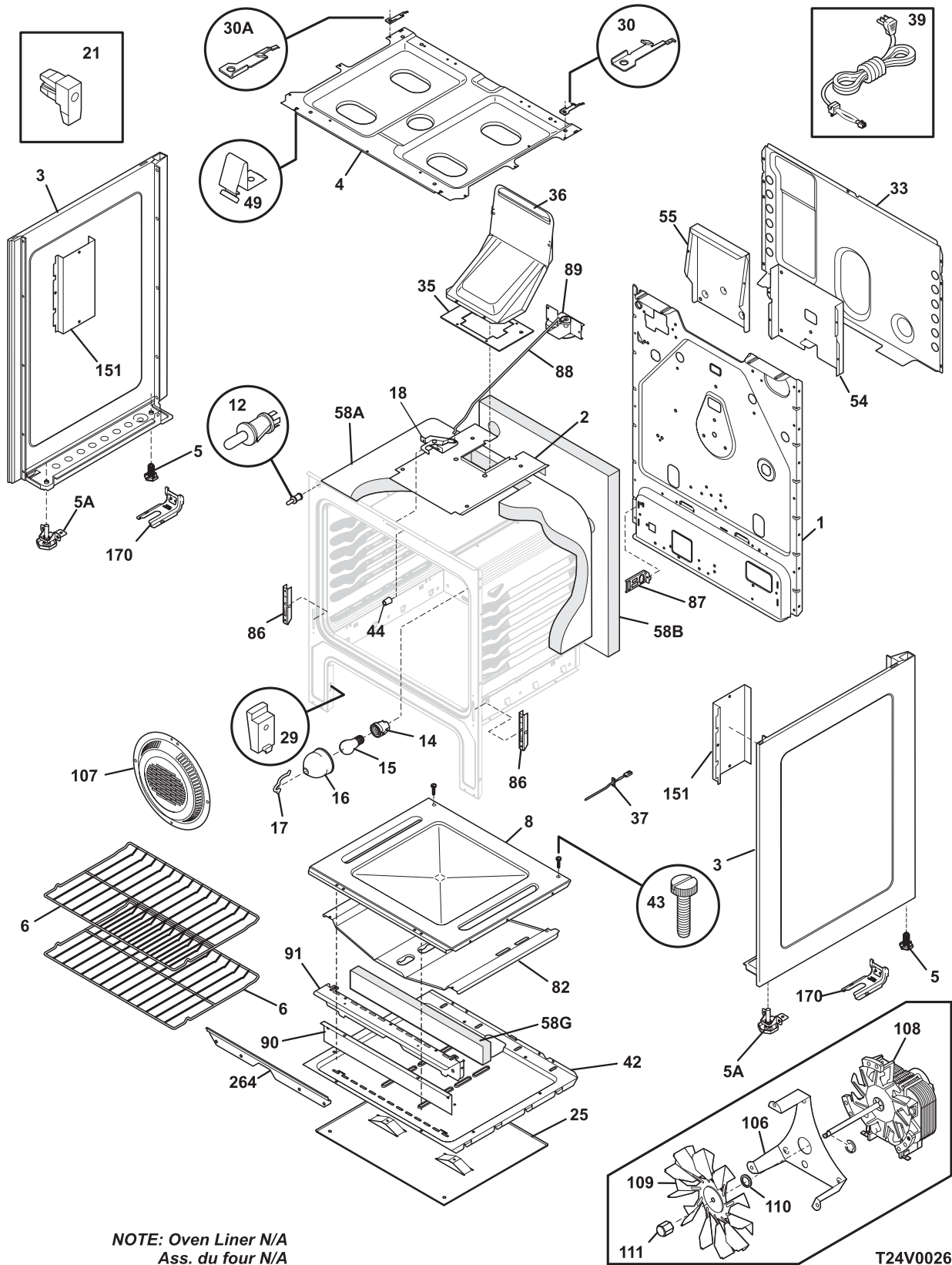


T24B0007

BURNER

POS. NO	PART NO.	DESCRIPTION
1 #	316219501	Pipe, manifold
2 #	5303935233	Valve, 17K burner, w/mtg screw
2A #	5303935235	Valve, 5K burner, w/mtg screw
2B #	5303935232	Valve, 9.5k/12k burner, w/mtg screw
2C #	5303935234	Valve, 9.5K burner, w/mtg screw
3 #	316219006	Wiring Harness, w/igntr switch
8	318079001	Module, spark
10 #	316223300	Burner, sealed, 16/17K
10A#	316206400	Burner, sealed, 5K
10B#	316212300	Burner, sealed, 12K
10C#	316212400	Burner, sealed, 9.5K
11 #	316430500	Ignitor/orifice assy., top burner, right front, 16K, w/holder, tube
11A#	316430800	Ignitor/orifice assy., top burner, right rear, 5K, w/holder, tube
11B#	316430401	Ignitor/orifice assy., top burner, left rear, 12K, w/holder, tube
11C#	316237800	Ignitor/orifice assy., top burner, front
11D#	316430700	Ignitor/orifice assy., top burner, center, 9.5K, w/holder, tube
13 #	316405300	Tube, 3/8, aluminum, rgltr to manf, with fittings
14 #	316091706	Regulator, pressure
14*	316021104	Screw, hex, 8-18 x 3/8, nick, (3), regulator brkt
15	316091600	Bracket, regulator
16 #	316405500	Tube, valve to regul., 3/8
17 #	316404901	Valve, safety
17*	08068018	Shield, wire, safety valve
18 #	316404400	Burner, oven
19 #	316428501	Ignitor, oven burner
20	316401401	Baffle, oven burner
21	5303013272	Nut, hex head sems
22 #	316405401	Tube, valve to mixer
23 #	316404300	Burner, broiler
24 #	316409700	Elbow, mixer
25	316401301	Baffle, broil burner
26 #	316428601	Ignitor, burner
26*	316401500	Cover, broil Ignitor
37	316240600	Screw, assy mtg, ignitor/orifice
44	316237912	Orifice, top burner, 16K
44A	316237903	Orifice, top burner, 5K
44B	316237901	Orifice, top burner, 12K
44C	316237902	Orifice, top burner, 9.5K
47	GRLP2	LP Conversion Kit, w/instructions
47*	316248105	Instructions, LP kit
* #	316253702	Wiring Harness, ignitor module
* #	316064103	Wire, ground assembly
*	316001003	Screw, ground wire
*	316215600	Screw, valve mtg., 1/4 - 20
*	5303271648	Screw, wafer hd sq dr, 8-18AB x 0.5

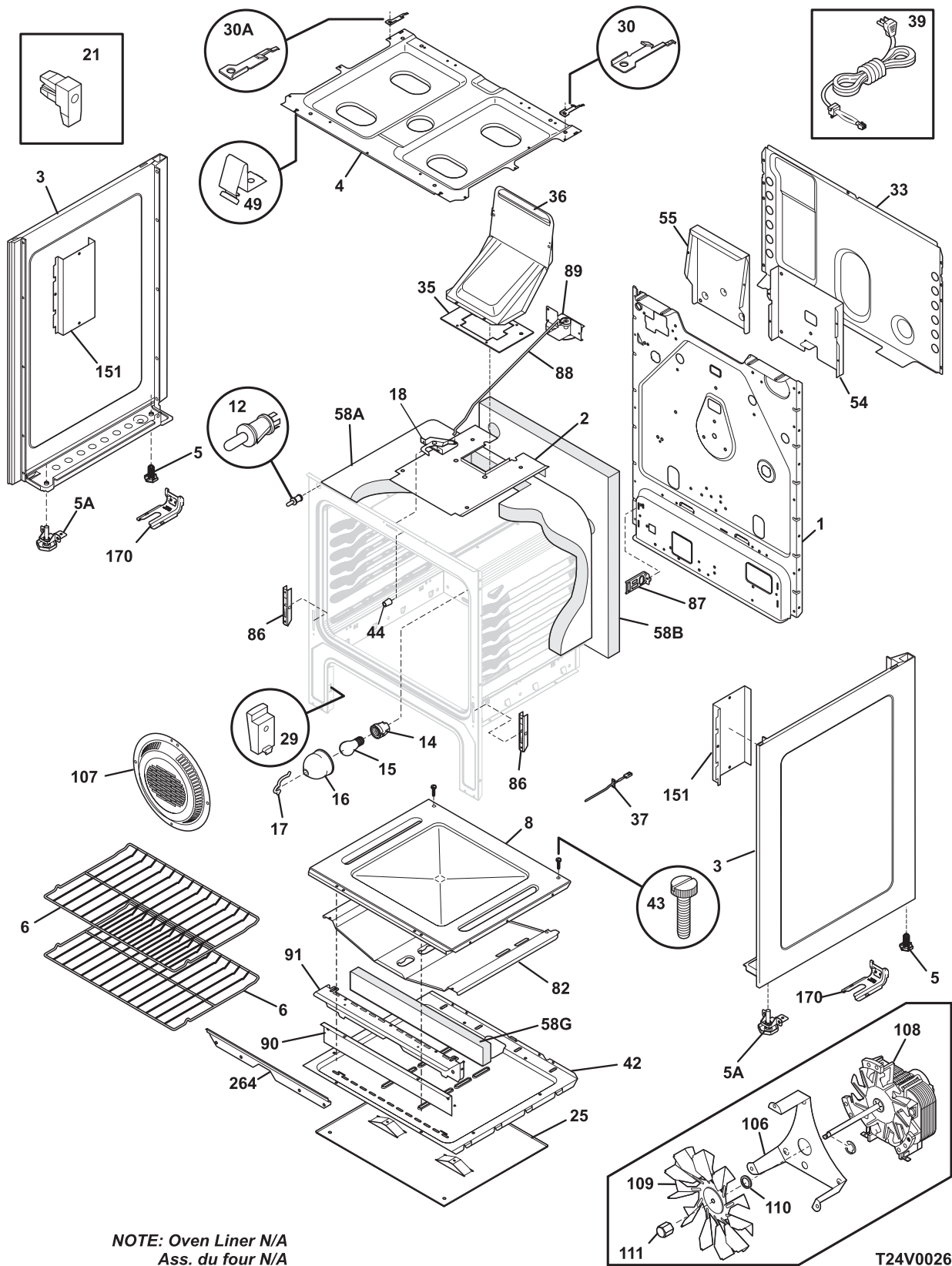
BODY



BODY

POS. NO	PART NO.	DESCRIPTION
1	316401600	Back, main
2	316402201	Shield, oven top
2*	316437100	Brace, oven top
3	316400118	Panel, bodyside, black, RH
3	316400119	Panel, bodyside, black, LH
4	316201403	Burner Box
5	316272900	Screw, leveling, plastic, rear, (2)
5A	316407201	Leveling Leg Assy, metal, front, (2), bracket & leg
6	316404500	Rack, oven
8	316400603	Panel, oven bottom
12	316445500	Switch, oven light, door frame
14	316116400	Receptacle, oven light
15	5303013071	Bulb/Lamp, light
16	08011086	Lens, oven light, glass
17	316087500	Retainer, lens
18 #	316405800	Latch Assembly, oven door
21	316408000	Clip, bodyside
25	316406200	Shield, heat, lower
29	316407301	Glide, drawer, front
30	316217700	Bracket, hinge, RH, main top
30A	316217701	Bracket, hinge, LH, main top
33	316402500	Shield, rear wall
35	316116600	Gasket, flue
36	316208901	Flue
37 #	316217001	Probe, oven temp
39	3202006	Cord, electric power
42	316400703	Shield, wool, lower
43	3131732	Screw, 8-18 x 1.438, oven bottom
44	316246501	Spacer, oven door
49	316234200	Clip, maintop mtg, (2)
54	316404200	Shield, heat
55	316404800	Shield, flue
58A	316403700	Insulation, oven wrapper
58B	316403600	Insulation, oven back
58G	08067973	Insulation, main front
82	316400801	Shield, bake burner
82*	316432800	Clip, wire
86	316441300	Receptacle, hinge
86*	316418901	Screw, trilobe, 10-32 x 5/16"
87	316401200	Bracket, harness
88	316232700	Rod, auto latch
89 #	316464300	Motor-latch
90	316401100	Shield, main front
91	316401000	Shield, front, burner
106	316404100	Bracket, motor mtg.
107	316026701	Cover, fan
108#	316415700	Motor, convection
109	316136400	Blade, fan
110	316136500	Washer, flat
111	316136600	Nut, fan retainer
151	316404600	Shield, bodyside

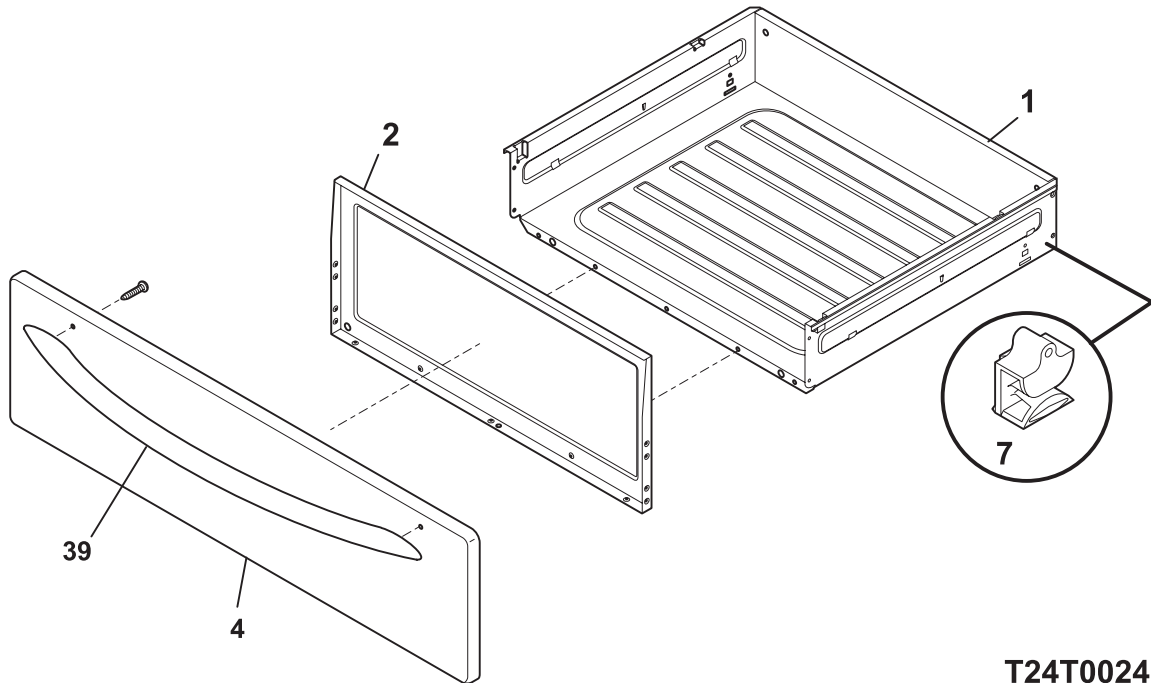
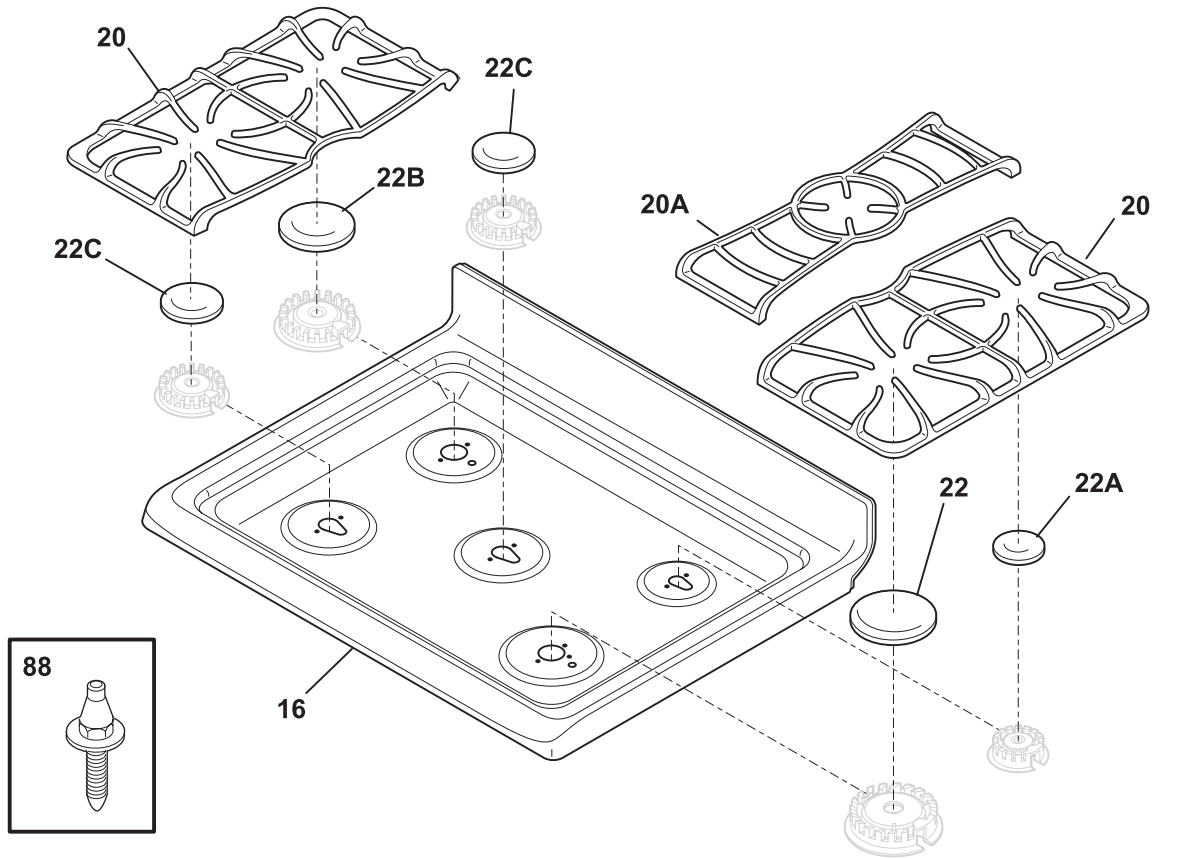
BODY



BODY

POS. NO	PART NO.	DESCRIPTION
170	5303935180	Anti-tip Kit, w/bracket, screw
170*	316107200	Bracket, anti-tip
170*	316112500	Template, anti-tip
170*	316116000	Screw, concrete, 1.75", anti-tip brkt
264	316404700	Bracket, air dam
* #	316416603	Harness, wiring, main
*	316231800	Cover, hole, conv. element
*	5303321321	Paint, touch-up, black
*	316021105	Screw, hex head cup pt, 8-18 x 0.375, black
*	316021108	Screw, cup pt, 8-18 x 0.375, chrome
*	316021110	Screw, 8-18 x 0.5, black
*	316021132	Screw, 8-18 X 11/16, black
*	316089500	Screw, 10-16 x .486
*	5303271648	Screw, wafer hd sq dr, 8-18AB x 0.5
*	5303285179	Screw, wafer head, 8-32T x 0.500, black

TOP/DRAWER

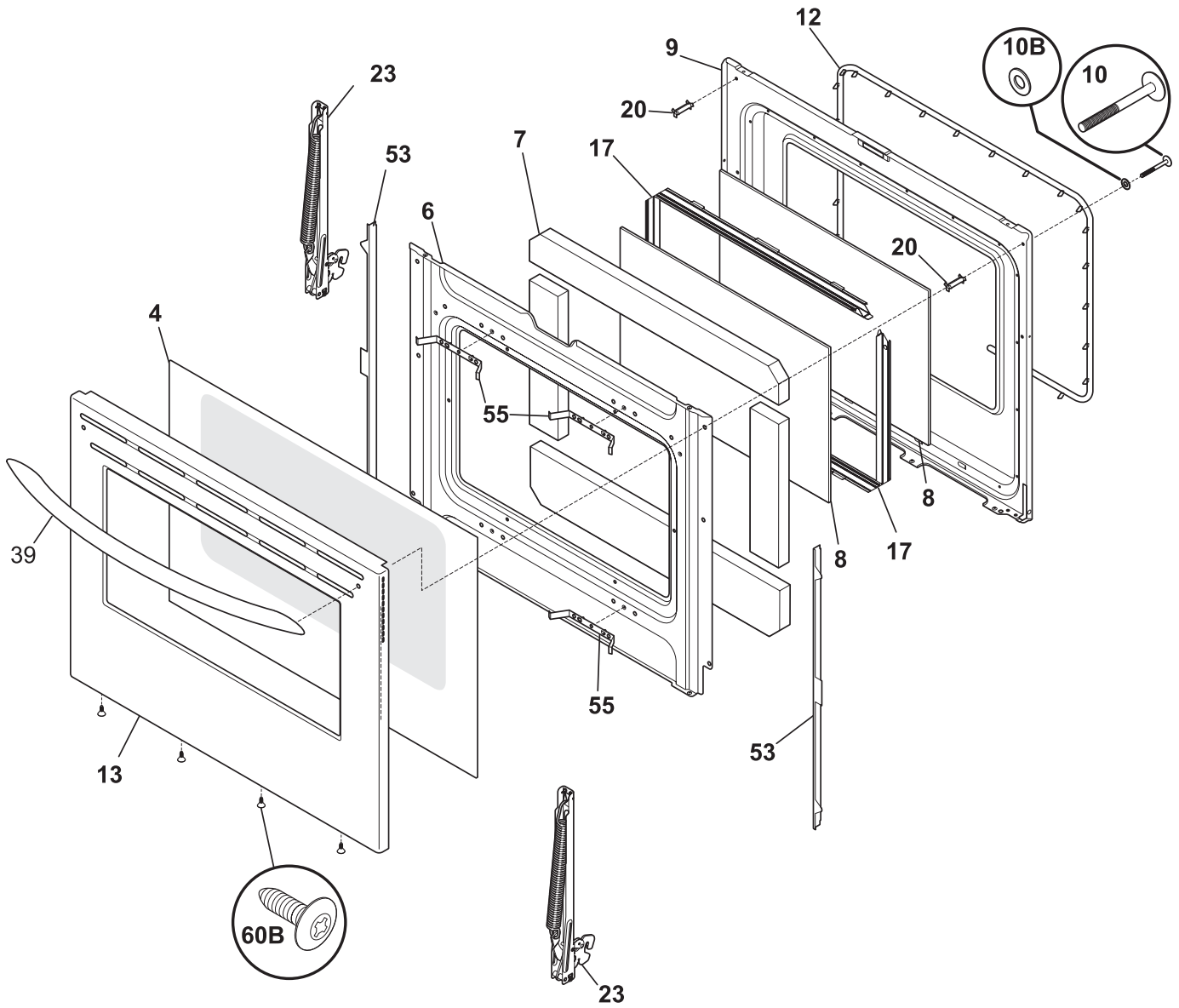


T24T0024

TOP/DRAWER

POS. NO	PART NO.	DESCRIPTION
1	316408701	Drawer, utility
2	316403200	Liner, drawer
4	316409306	Panel, drawer, stainless, outer
7	316407400	Glide, drawer, rear
16	316411216	Maintop, black
20	316424601	Grate, black, (2)
20A	316424801	Grate, center, black
22	316271900	Cap, 17K burner, black
22A	316206600	Cap, 5K burner, black
22B	316213600	Cap, 12K burner, black
22C	316213500	Cap, 9.5K burner, black
39	316246100	Handle, door/drawer, stainless
88	316099500	Pin, guide, (2)
*	316021108	Screw, cup pt, 8-18 x 0.375, chrome
*	316021109	Screw, 8-18 x 0.5, chrome
*	316021110	Screw, 8-18 x 0.5, black

DOOR

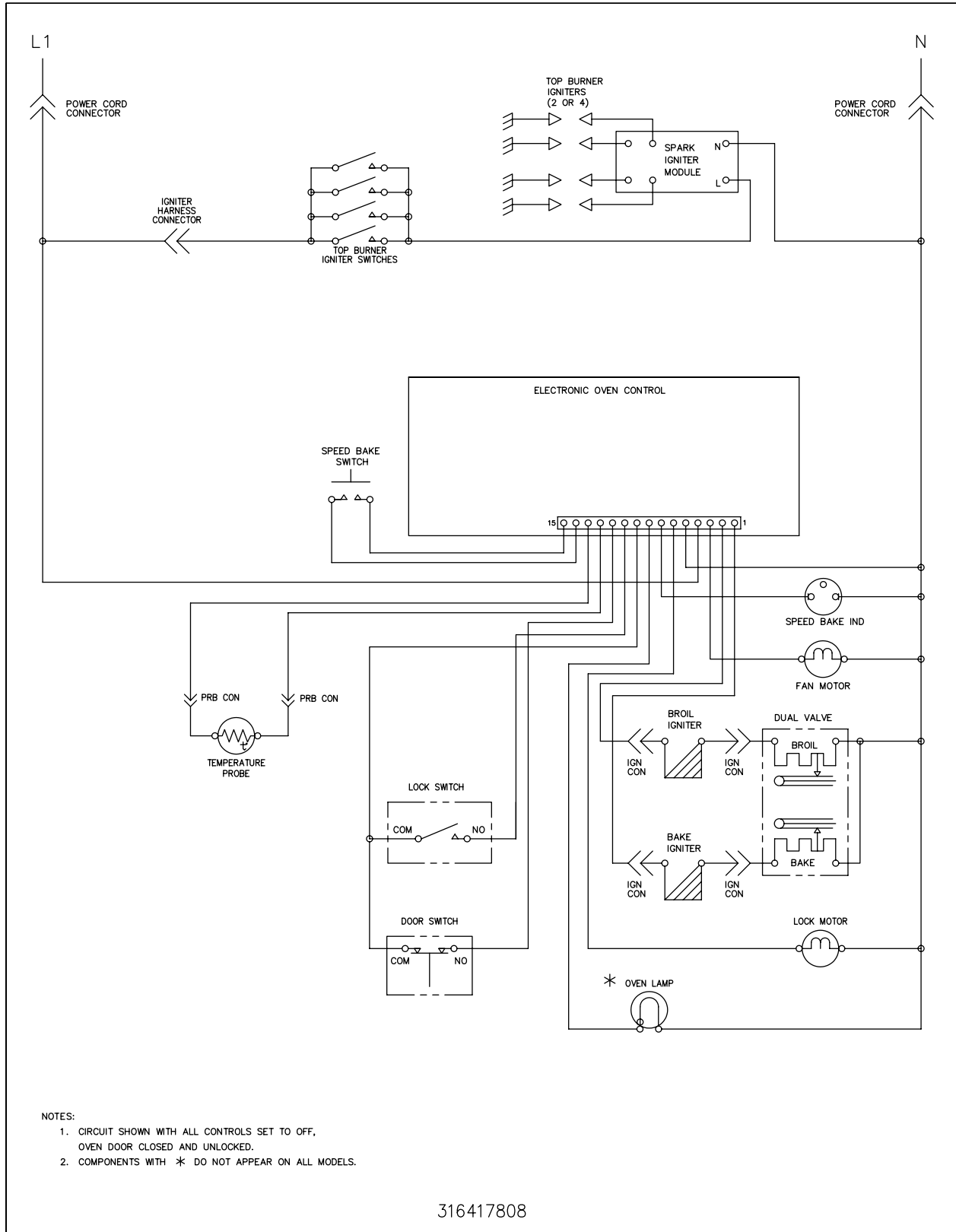


T24D0032

DOOR

POS. NO	PART NO.	DESCRIPTION
4	316452701	Glass, oven door, black, outer
6	316402307	Shield, wool
7	316403900	Insulation, oven door
8	316117500	Glass, oven door, heat barrier
9	316423801	Liner, oven door
10	316001002	Screw, wafer head, 10-24 x 1.81, (2), handle mtg.
10B	316008401	Washer, 3/4 OD x 1/4 ID, steel
12	316403101	Seal, oven door
13	316407809	Panel, oven door, stainless
17	316402403	Spacer, door glass, (2)
20	316408600	Spacer, door handle, (2)
23	316456306	Hinge, oven door, (2)
23*	316418900	Screw, sims lp, #8-32 x 5/16", black
39	316246100	Handle, door/drawer, stainless
53	316408101	Shield, filler, door, (2)
55	316408300	Bracket, glass support, (4)
60B	316021110	Screw, 8-18 x 0.5, black
*	316433603	Label, anti-tip
*	316021109	Screw, 8-18 x 0.5, chrome
*	5303271648	Screw, wafer hd sq dr, 8-18AB x 0.5
*	5303285179	Screw, wafer head, 8-32T x 0.500, black

WIRING SCHEMATIC



- NOTES:
- 1. CIRCUIT SHOWN WITH ALL CONTROLS SET TO OFF, OVEN DOOR CLOSED AND UNLOCKED.
 - 2. COMPONENTS WITH * DO NOT APPEAR ON ALL MODELS.

316417808

WIRING DIAGRAM

