

GAS COOKTOP INSTALLATION INSTRUCTIONS

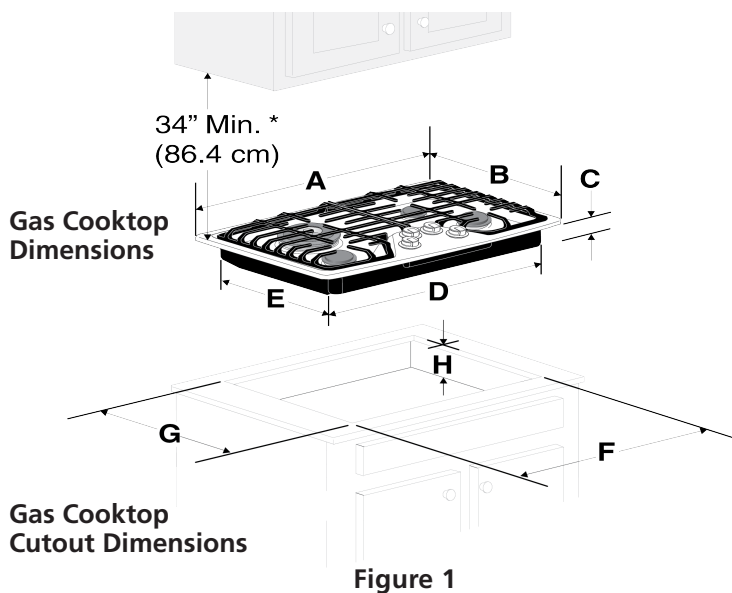
(For 30" & 36" Models)

**INSTALLATION AND SERVICE MUST BE PERFORMED BY A QUALIFIED INSTALLER.
IMPORTANT: SAVE FOR LOCAL ELECTRICAL INSPECTOR'S USE.
READ AND SAVE THESE INSTRUCTIONS FOR FUTURE REFERENCE.**

⚠ WARNING If the information in this manual is not followed exactly, a fire or explosion may result causing property damage, personal injury or death.

FOR YOUR SAFETY:

- Do not store or use gasoline or other flammable vapors and liquids in the vicinity of this or any other appliance.
- **WHAT TO DO IF YOU SMELL GAS:**
 - Do not try to light any appliance.
 - Do not touch any electrical switch; do not use any phone in your building.
 - Immediately call your gas supplier from a neighbor's phone. Follow the gas supplier's instructions.
 - If you cannot reach your gas supplier, call the fire department.
- Installation and service must be performed by a qualified installer, service agency or the gas supplier.



PRODUCT DIMENSIONS					
MODEL	A. WIDTH	B. DEPTH	C. HEIGHT	D. BOX WIDTH	E. BOX DEPTH
30" Gas Cooktop	30" (76.2 cm)	21" (53.3 cm)	2 7/16" (6.2 cm)	27" (68.6 cm)	18 7/8" (47.9 cm)
36" Gas Cooktop	36" (91.4 cm)	21" (53.3 cm)	2 7/16" (6.2 cm)	33 5/8" (85.4 cm)	18 7/8" (47.9 cm)

CUTOUT DIMENSIONS					H. HEIGHT BELOW COOKTOP
MODEL	F. WIDTH		G. DEPTH		
	MINIMUM	MAXIMUM	MINIMUM	MAXIMUM	
30" Gas Cooktop	27 1/4 (69.2 cm)	29 5/16" (74.3 cm)	19" (48.3 cm)	20" (50.8 cm)	7.5" (19.0 cm)
36" Gas Cooktop	33 7/8 (86.0 cm)	35 5/8" (90.3 cm)	19" (48.3 cm)	20" (50.8 cm)	7.5" (19.0 cm)

All dimensions are stated in inches and (cm).
Dimension **H** includes a 5" (12,7 cm) space underneath the cooktop for connection to gas supply line.

GAS COOKTOP INSTALLATION INSTRUCTIONS

(For 30" & 36" Models)

Important Notes to the Installer

1. Read all instructions contained in these installation instructions before installing the cooktop.
2. Remove all packing material before connecting the electrical supply to the cooktop.
3. Observe all governing codes and ordinances.
4. Be sure to leave these instructions with the consumer.
5. Note: For operation at 2000 ft. elevations above sea level, appliance rating shall be reduced by 4 percent for each additional 1000 ft.

Important Note to the Consumer

Keep these instructions with your Use and Care Guide for future reference.

Special instructions for appliances installed in the State of Massachusetts:

This appliance can only be installed in the State of Massachusetts by a Massachusetts licensed plumber or gas fitter. When using a flexible gas connector, it must not exceed 3 feet (36 inches) in length. A "T" handle type manual gas valve must be installed in the gas supply line to this appliance.

IMPORTANT SAFETY INSTRUCTIONS

Installation of this cooktop must conform with local codes or, in the absence of local codes, with the National Fuel Gas Code ANSI Z223.1/NFPA 54 in the United States, or in Canada, with the Canadian Fuel Gas Code, CAN/CGA B149 and CAN/CGA B149.2.

- When installed in a manufactured (mobile) home installation must conform with the Manufactured Home Construction and Safety Standard, title 24 CFR, part 3280 [Formerly the Federal Standard for Mobile Home Construction and Safety, title 24, HUD (part 280)] or, when such standard is not applicable, the Standard for Manufactured Home Installation, ANSI/NCSBCS A225.1 or with local codes where applicable.

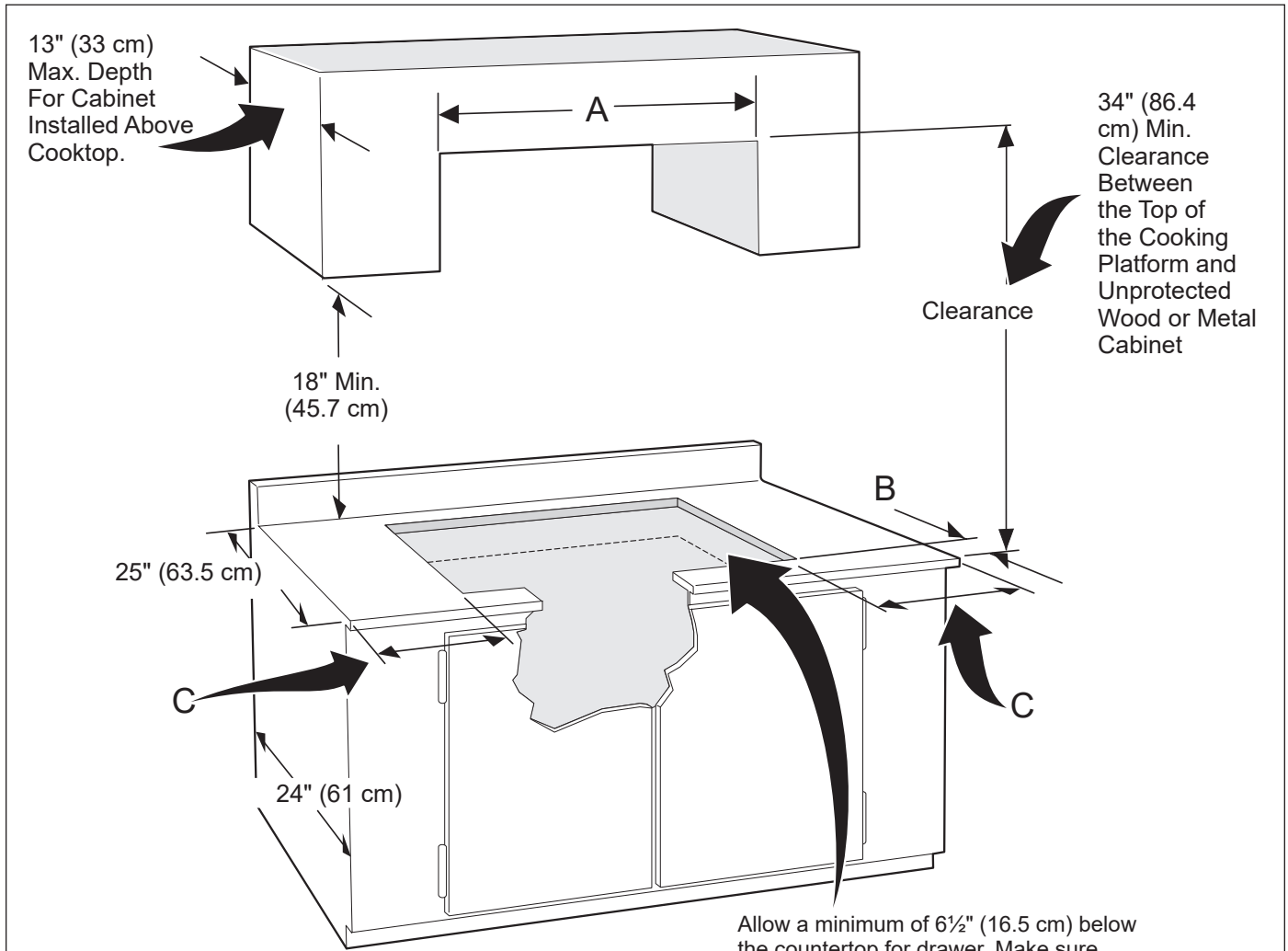
This cooktop has been design certified by CSA International. As with any appliance using gas and generating heat, there are certain safety precautions you should follow. You will find them in the Use and Care Guide, read it carefully.

- Air curtain or other overhead hoods, which operate by blowing a downward air flow on to a range, shall not be used in conjunction with gas ranges other than when the hood and range have been designed, tested and listed by an independent test laboratory for use in combination with each other.
- Be sure your cooktop is installed and grounded properly by a qualified installer or service technician.
- This cooktop must be electrically grounded in accordance with local codes or, in their absence, with the National Electrical Code ANSI/NFPA No. 70—latest edition in the United States, or in Canada, with the Canadian Electrical Code, CSA C22.1 Part 1.
- The burners can be lit manually during an electrical power outage. To light a burner, hold a lit match to the burner head, then slowly turn the Surface Control knob to LITE. Use caution when lighting burners manually.
- Do not store items of interest to children in cabinets above the cooktop. Children could be seriously burned climbing on the cooktop to reach items.
- To eliminate the need to reach over the surface burners, cabinet storage space above the burners should be avoided.
- Adjust surface burner flame size so it does not extend beyond the edge of the cooking utensil. Excessive flame is hazardous.
- Never use your cooktop for warming or heating the room. Prolonged use of the cooktop without adequate ventilation can be hazardous.
- Do not store or use gasoline or other flammable vapors and liquids near this or any other appliance. Explosions or fires could result.

⚠ WARNING The electrical power to the cooktop must be shut off while gas line connections are being made. Failure to do so could result in serious injury or death.

GAS COOKTOP INSTALLATION INSTRUCTIONS

(For 30" & 36" Models)



CAUTION To eliminate the risk of burns or fire from reaching over heated surfaces, cabinet storage space located above the cooktop should be avoided. If cabinet storage is provided, risk can be reduced by installing a range hood that projects horizontally a minimum of 5" (12,7 cm) beyond the bottom of the cabinets.

Allow a minimum of 6½" (16.5 cm) below the countertop for drawer. Make sure there will be no interference with gas or electrical connection.

MODEL	A.	B. Max distance from front of cutout to front of countertop if combustible back wall.	C. Min. distance from left side and min. clearance from right side	D. Min distance from back of appliance to back of counter if combustible surface.
30" Cooktop	30" (76,2 cm)	1 13/16" (4.6 cm)	12" (30.5 cm)	2 9/16" (6.5 cm)
36" Cooktop	36" (91,4 cm)	1 13/16" (4.6 cm)	12" (30.5 cm)	2 9/16" (6.5 cm)



Figure 2 – CABINET DESIGN

GAS COOKTOP INSTALLATION INSTRUCTIONS

(For 30" & 36" Models)

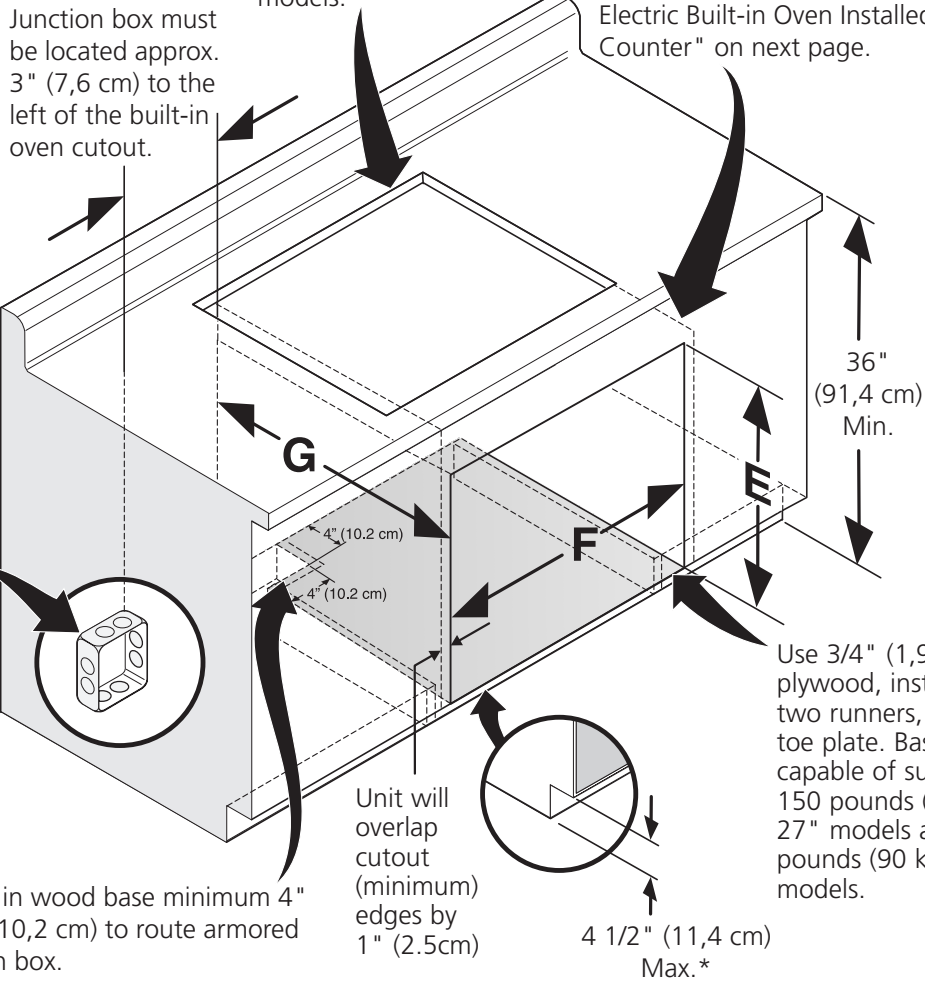
Typical Under Counter Installation of an Electric Built-in Oven with a Cooktop Mounted Above

⚠ WARNING

All mounting hardware must be used to secure the built-in oven to the cabinets. Refer to the built-in oven installation instructions.

This cooktop may be installed over certain built-in electric oven models.

Side filler panels are necessary to isolate the unit from adjoining cabinets. Panel height should allow for installation of approved cooktop models. See "Typical Gas Cooktop Installation Over an Electric Built-in Oven Installed Under the Counter" on next page.



Cut an opening in wood base minimum 4" (10,2 cm) x 4" (10,2 cm) to route armored cable to junction box.

CUTOUT DIMENSIONS (INCHES (cm))					
OVEN SIZE	E		F		G
	Min.	Max.	Min.	Max.	
30" (76,2 cm)	27 1/4" (69,2 cm)	28 1/4" (71,8 cm)	28 1/2" (72,4 cm)	29" (73,7 cm)	23 1/2" (59,7 cm)
27" (68,6 cm)	27 1/4" (69,2 cm)	28 1/4" (71,8 cm)	24 7/8" (63,2 cm)	25 1/4" (64,1 cm)	23 1/2" (59,7 cm)

Figure 3

GAS COOKTOP INSTALLATION INSTRUCTIONS

(For 30" & 36" Models)

Typical Gas Cooktop Installation Over an Electric Built-in Oven Installed Under the Counter

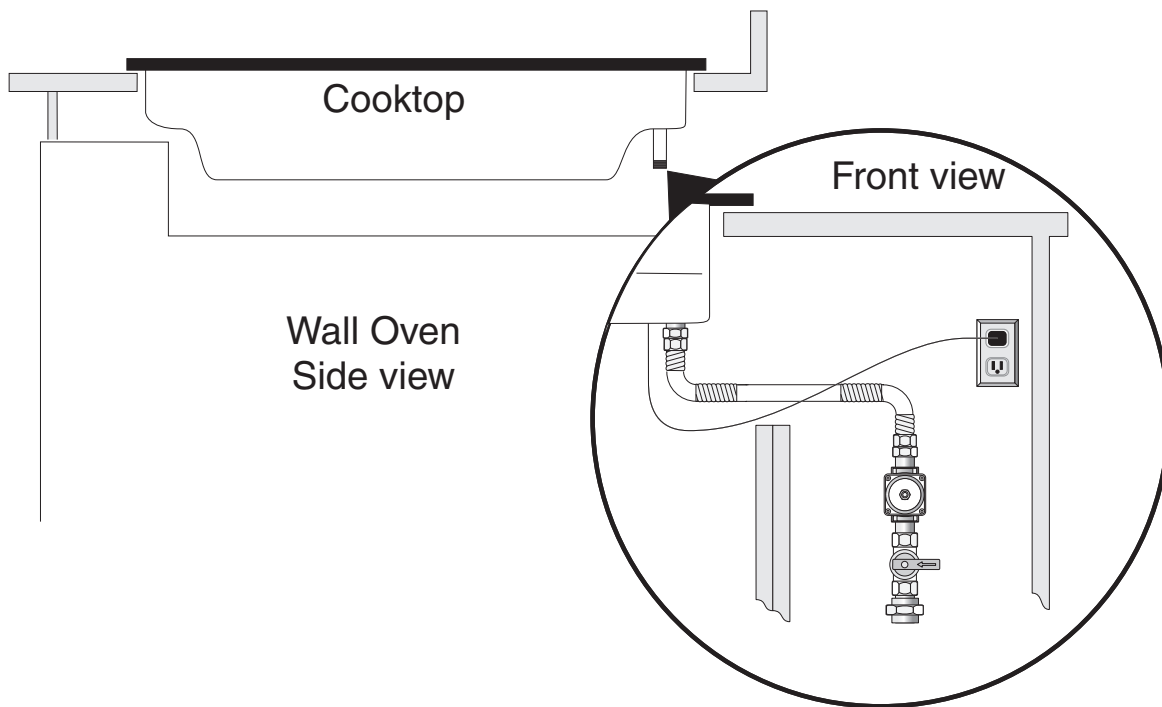
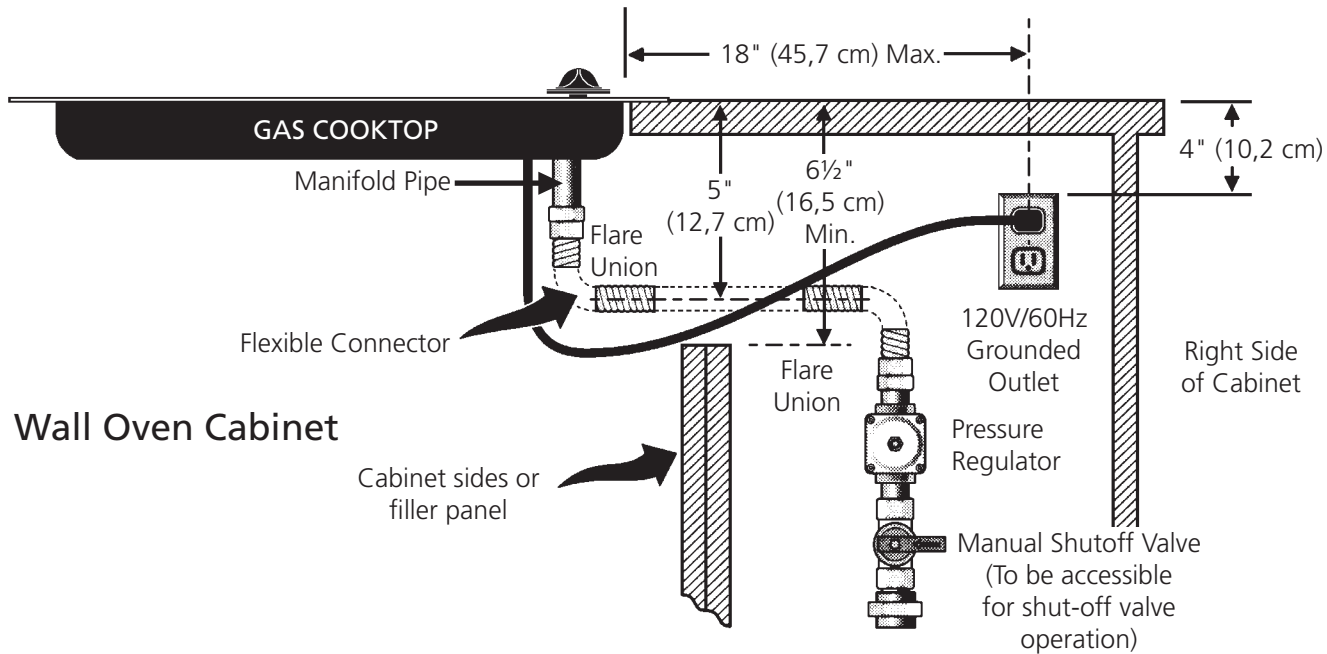
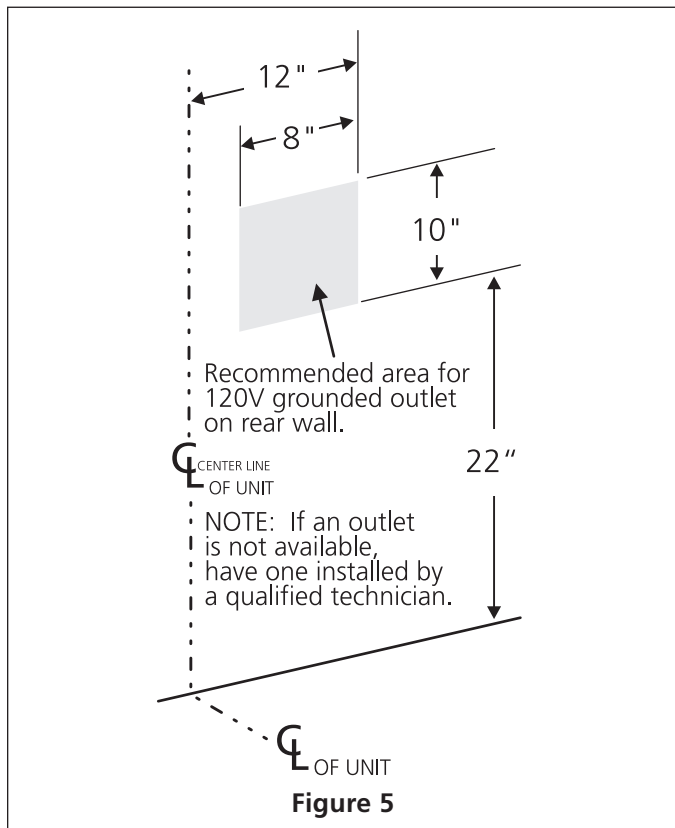


Figure 4

GAS COOKTOP INSTALLATION INSTRUCTIONS

(For 30" & 36" Models)

Wall Outlet Location



Cooktop Installation

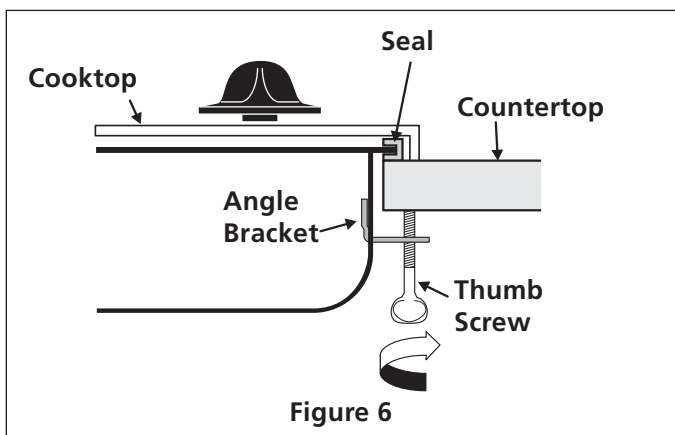
1. Visually inspect the cooktop for damage.
 2. Set the cooktop into the countertop cutout.
- NOTE:** Do not use caulking compound; cooktop should be removable for service when needed.

Granite countertop Installation Kit

A Granite Countertop Installation kit # 903103-9010 can be ordered through a Service Center or by phone at **1-877-ELECTROLUX (1-877-435-3287)**.

Clamp Down Information

Once the cooktop is installed in the counter opening, you must clamp the unit down as shown.



To clamp down, insert an angle bracket into the slot on each side of the unit as shown. Run thumb screw up through the bracket, up against the bottom of the counter. Tighten until the unit draws down and is secure.

Provide an Adequate Gas Supply

This cooktop is designed to operate on natural gas at 4" of manifold pressure only.

A pressure regulator is connected in series with the manifold on the cooktop and must remain in series with the supply line.

For proper operation, the maximum inlet pressure to the regulator must be no more than 14" of water column (W.C.) pressure.

For checking the regulator, the inlet pressure must be at least 1" (or 2,5 kPa) greater than the regulator manifold pressure setting. The regulator is set for 4" of manifold pressure, the inlet pressure must be at least 6".

The gas supply line to the range should be 1/2" or 3/4" pipe.

LP/Propane Gas Conversion

This appliance can be used with Natural gas or LP/Propane gas. It is shipped from the factory for use with natural gas.

A kit for converting to LP gas is supplied with your cooktop. The kit is marked "FOR LP/PROPANE GAS CONVERSION".

The conversion must be performed by a qualified service technician in accordance with the kit instructions and all local codes and requirements. Failure to follow instructions could result in serious injury or property damage. The qualified agency performing this work assumes responsibility for the conversion.

WARNING Failure to make the appropriate conversion can result in serious personal injury and property damage.

Important: Remove all packing material and literature from cooktop before connecting gas and electrical supply to cooktop.

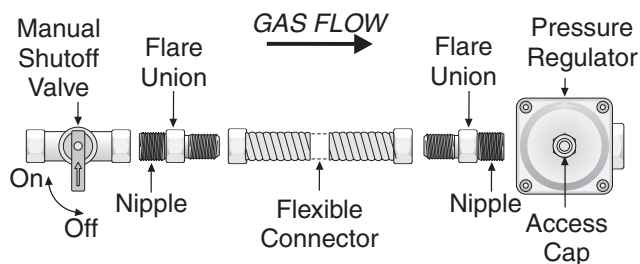
GAS COOKTOP INSTALLATION INSTRUCTIONS

(For 30" & 36" Models)

Install Pressure Regulator

Install the pressure regulator with the arrow on the regulator pointing up toward the unit in a position where you can reach the access cap.

⚠ WARNING Do not make the connection too tight. The regulator is die cast. Overtightening may crack the regulator resulting in a gas leak and possible fire or explosion.



All connections must be wrench-tightened

Figure 7

Assemble the flexible connector from the gas supply pipe to the pressure regulator in the following order:

1. manual shutoff valve
2. 1/2" (1.3 cm) nipple
3. 1/2" (1.3 cm) flare union adapter
4. flexible connector
5. 1/2" (1.3 cm) flare union adapter
6. 1/2" (1.3 cm) nipple
7. pressure regulator

Use pipe-joint compound made for use with Natural and LP/Propane gas to seal all gas connections. If flexible connectors are used, be certain connectors are not kinked.

The supply line must be equipped with an approved manual shutoff valve. This valve should be located in the same room as the cooktop and should be in a location that allows ease of opening and closing. Do not block access to the shutoff valve. The valve is for turning on or shutting off gas to the appliance.

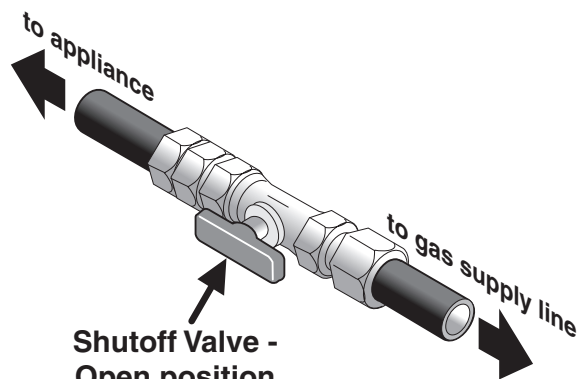


Figure 8

Once regulator is in place, open the shutoff valve in the gas supply line. Wait a few minutes for gas to move through the gas line.

Check for leaks. After connecting the cooktop to the gas supply, check the system for leaks with a manometer. If a manometer is not available, turn on the gas supply and use a liquid leak detector (or soap and water) at all joints and connections to check for leaks.

⚠ WARNING Do not use a flame to check for leaks from gas connections. Checking for leaks with a flame may result in a fire or explosion.

Tighten all connections if necessary to prevent gas leakage in the cooktop or supply line.

Check alignment of control knob valves after connecting the cooktop to the gas supply to be sure the cooktop manifold pipe has not moved. A misalignment could cause the valve stems to rub on the control panel, resulting in a gas leak at the valve.

Disconnect this cooktop and its individual manual shutoff valve from the gas supply piping system during any pressure testing of that system at test pressures greater than 1/2 psig (3.5 kPa or 14" water column).

Isolate the cooktop from the gas supply piping system by closing its individual manual shutoff valve during any pressure testing of the gas supply piping system at test pressures equal to or less than 1/2 psig (3.5 kPa or 14" water column).

Electrical Requirements

120 volt, 60 Hertz, properly grounded branch circuit protected by a 15 amp circuit breaker or time delay fuse. **Do not use an extension cord with this cooktop.**

Grounding Instructions

IMPORTANT Please read carefully.

For personal safety, this appliance must be properly grounded.

The power cord of this appliance is equipped with a 3-prong (grounding) plug which mates with a standard 3-prong grounding wall receptacle (see Figure 9) to minimize the possibility of electric shock hazard from the appliance.

The wall receptacle and circuit should be checked by a qualified electrician to make sure the receptacle is properly grounded.

Where a standard 2-prong wall receptacle is installed, it is the personal responsibility and obligation of the consumer to have it replaced by a properly grounded 3-prong wall receptacle.

GAS COOKTOP INSTALLATION INSTRUCTIONS

(For 30" & 36" Models)

Do not, under any circumstances, cut or remove the third (ground) prong from the power cord.

⚠ WARNING Disconnect electrical supply cord from wall receptacle before servicing cooktop.

Preferred Method

Grounding type wall receptacle

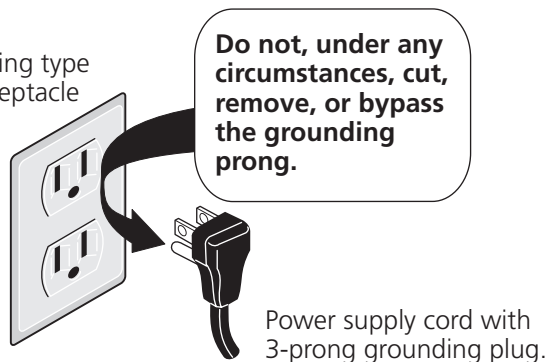


Figure 9

Model and Serial Number Location

The serial plate is located on the underside of the cooktop (see Figure 10).

When ordering parts for or making inquiries about your range, always be sure to include the model and serial numbers and a lot number or letter from the serial plate of your cooktop.

Your serial plate also tells you the rating of the burners, the type of fuel and the pressure the cooktop was adjusted for when it left the factory.

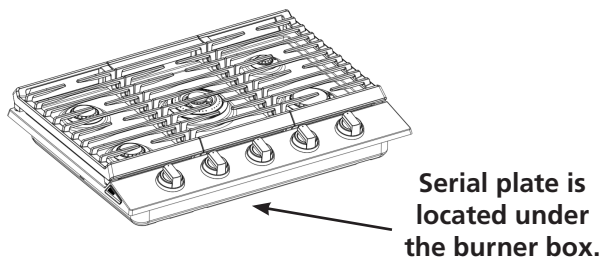


Figure 10

Check Operation

Refer to the **Use and Care Guide** packaged with the appliance for operating instructions and for care and cleaning of your cooktop.

⚠ CAUTION Do not touch the burners. They may be hot enough to cause burns.

1. Check Burner Cap Placement

Regular burner

It is very important to be sure that all surface burner caps and burner grates are properly installed and in the correct locations before operating the appliance.

The cooktop is not removeable. Do not attempt to remove or lift the cooktop.

⚠ WARNING To prevent flare-ups and avoid creation of harmful by-products, do not use the cooktop without all burner caps properly installed to insure proper ignition and gas flame size.

Always keep the burner caps and burner heads in place whenever the surface burners are in use. Do not allow spills, food, cleaning agents or any other material to enter the gas orifice holder openings.

Check and be sure the size of each burner cap matches the size of the burner head. Check and be sure that all round style burner caps are correctly in place on round burner heads.

Check and be sure that all oval style burner caps are correctly in place on oval burner heads (if equipped). Check and be sure that all dual or twin style burner caps are correctly in place on dual or twin burner heads (if equipped).

On round style burners, the burner cap should fit snug into the center of burner head and be level. Refer to Figure 11 for correct and incorrect burner cap placement.

Once in place, you may check the fit by gently sliding the burner cap from side to side (Fig. 12) to be sure it is centered and firmly seated. Please note that the burner cap should NOT move off the center of the burner head when sliding from side to side.

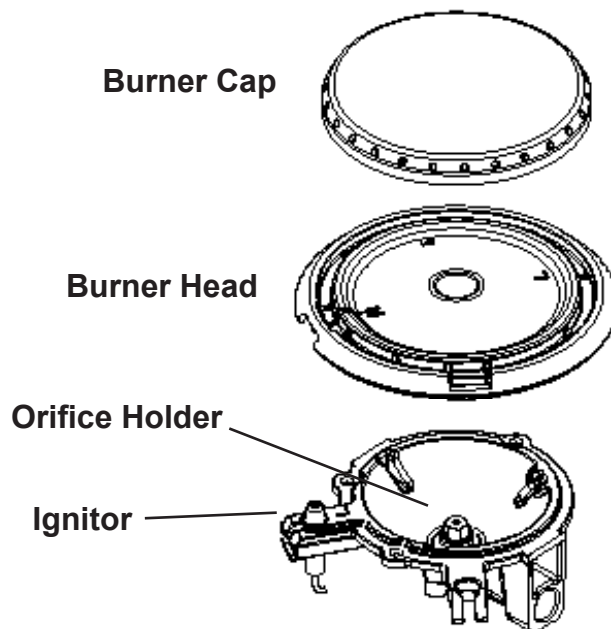


Figure 11

GAS COOKTOP INSTALLATION INSTRUCTIONS

(For 30" & 36" Models)

2. Turn on Electrical Power and Open Main Shutoff Gas Valve

3. Check the Igniters

Operation of electric igniters should be checked after range and supply line connectors have been carefully checked for leaks and range has been connected to electric power.

- To check for proper lighting, push in and turn a surface burner knob to the LITE position. You will hear the igniter sparking.
- The surface burner should ignite when gas is available to the burner. Purge air from supply lines by leaving knob in the LITE position until burner ignites. Each burner should light within four (4) seconds in normal operation after air has been purged from supply lines.
- Visually check that burner has a flame. Once the burner ignites, the control knob should be turned out of the LITE position.
- Try each surface control knob separately until all burner valves have been checked. Each burner location is equipped with a separate electrode.

4. Adjust the "LOW" Setting of Surface Burner Valves (linear flow)

Test to verify if LOW setting should be adjusted:

- Push in and turn control to LITE until burner ignites.
- Push in and quickly turn knob to lowest position.
- If burner goes out, reset control to OFF.
- Remove the surface burner control knob.
- Insert a thin-bladed screwdriver into the hollow valve stem and engage the slotted screw inside. Flame size can be increased or decreased with the turn of screw. Turn counterclockwise to increase flame size. Turn clockwise to decrease flame size (Figure 14). Adjust flame until you can quickly turn knob from LITE to lowest position without extinguishing the flame. Flame should be as small as possible without extinguishing.

⚠ WARNING Do not remove center screw.

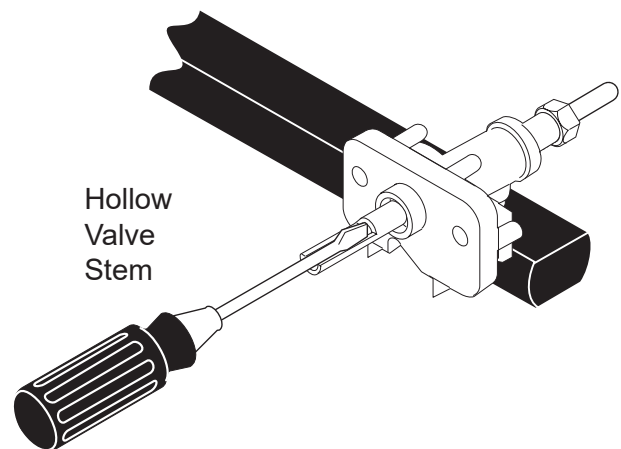


Figure 13

When All Hookups are Complete

Make sure all controls are left in the OFF position.

Make sure the flow of combustion and ventilation air to the cooktop is unobstructed.

Before You Call for Service

Read the Before You Call for Service Checklist and operating instructions in your **Use and Care Guide**. It may save you time and expense. The list includes common occurrences that are not the result of defective workmanship or materials in this appliance.

Refer to the warranty in your **Use and Care Guide** for our service phone number and address. Please call or write if you have inquiries about your product and/or need to order parts.

INSTRUCCIONES DE INSTALACIÓN DE LA CUBIERTA DE COCCIÓN A GAS

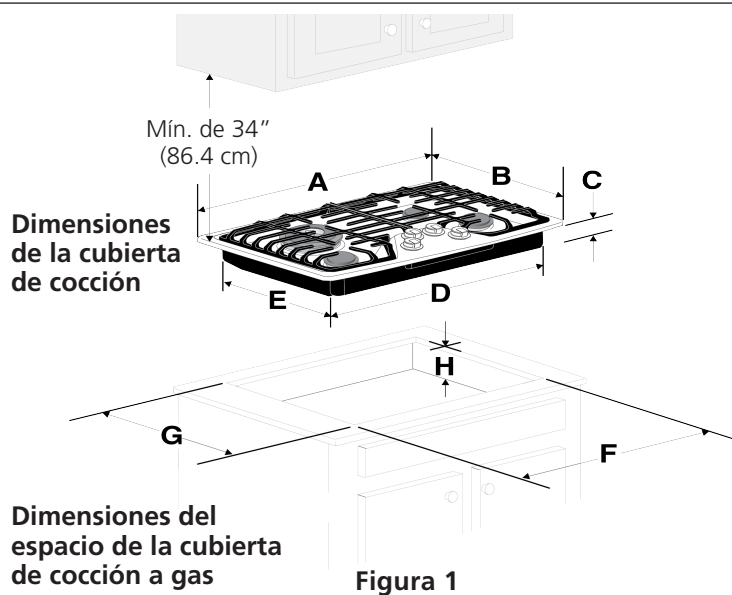
(para los modelos de 30" y 36")

LA INSTALACIÓN Y EL SERVICIO DEBEN SER REALIZADOS POR UN INSTALADOR CALIFICADO. IMPORTANTE: CONSERVE ESTAS INSTRUCCIONES PARA USO DEL INSPECTOR LOCAL DE ELECTRICIDAD. LEA Y CONSERVE ESTAS INSTRUCCIONES PARA CUALQUIER REFERENCIA FUTURA.

⚠ ADVERTENCIA Si no sigue con precisión la información de esta guía, se podría producir un incendio o una explosión, lo que causaría daños a la propiedad, lesiones personales o la muerte.

PARA SU SEGURIDAD:

- No almacene ni utilice gasolina u otros líquidos o vapores inflamables cerca de este o cualquier otro electrodoméstico.
- **QUÉ HACER SI SIENTE OLOR A GAS:**
 - No intente encender ningún electrodoméstico.
 - No toque ningún interruptor eléctrico; no utilice ningún teléfono de su edificio.
 - Llame inmediatamente a su proveedor de gas desde el teléfono de un vecino. Siga las instrucciones del proveedor de gas.
 - Si no puede ponerse en contacto con el proveedor de gas, llame a los bomberos.
- La instalación y el servicio deben ser llevados a cabo por un instalador calificado, agencia de servicios o proveedor de gas.



DIMENSIONES DEL PRODUCTO					
MODELO	A. ANCHO	B. PROFUNDIDAD	C. ALTURA	D. ANCHO DE LA CAJA	E. PROFUNDIDAD DE LA CAJA
Cubierta de cocción a gas de 30"	30" (76.2 cm)	21" (53.3 cm)	24 1/4" (61.6 cm)	27" (68.6 cm)	18 7/8" (47.9 cm)
Cubierta de cocción a gas de 36"	36" (91.4 cm)	21" (53.3 cm)	24 1/4" (61.6 cm)	33 5/8" (85.4 cm)	18 7/8" (47.9 cm)

DIMENSIONES DEL ESPACIO PARA EL HORNO					
MODELO	F. ANCHO		G. PROFUNDIDAD		H. ALTURA DEBAJO DE LA CUBIERTA DE COCCIÓN
	MÍNIMO	MÁXIMO	MÍNIMO	MÁXIMO	
Cubierta de cocción a gas de 30"	27 1/4" (69.2 cm)	29 5/16" (74.3 cm)	19" (48.3 cm)	20" (50.8 cm)	7.5" (19.0 cm)
Cubierta de cocción a gas de 36"	33 7/8" (86.0 cm)	35 5/8" (90.3 cm)	19" (48.3 cm)	20" (50.8 cm)	7.5" (19.0 cm)

Todas las dimensiones se indican en pulgadas y (centímetros entre paréntesis). La dimensión **H** incluye un espacio de 5" (12.7 cm) debajo de la cubierta de cocción para la conexión a la línea de suministro de gas.

INSTRUCCIONES DE INSTALACIÓN DE LA CUBIERTA DE COCCIÓN A GAS

(para los modelos de 30" y 36")

Notas importantes para el instalador

1. Antes de instalar la cubierta de cocción, lea todas estas instrucciones de instalación.
2. Retire todo el material de empaque antes de conectar el suministro eléctrico a la cubierta de cocción.
3. Asegúrese de que se cumplan todos los códigos y las normas locales relevantes.
4. Asegúrese de dejar estas instrucciones en poder del usuario.
5. Nota: Para el uso de la cubierta de cocción a 2000 ft (610 m) sobre el nivel del mar, el régimen nominal del electrodoméstico se deberá reducir en un 4 % por cada 1000 ft (305 m) adicionales.

Nota importante para el usuario

Conserve estas instrucciones junto con la guía de uso y cuidado para cualquier referencia futura.

Instrucciones especiales para los electrodomésticos instalados en el estado de Massachusetts:

Este electrodoméstico solamente puede ser instalado en el estado de Massachusetts por un plomero o instalador de sistemas de gas con licencia de este estado. Cuando utilice un conector flexible de gas, no debe medir más de 3 pies (36 pulgadas; 92 centímetros) de longitud. En la línea de entrada de gas que va hacia el artefacto, se debe instalar una válvula manual de gas de tipo manija en forma de "T".

INSTRUCCIONES IMPORTANTES DE SEGURIDAD

La instalación de esta cubierta de cocción debe realizarse de acuerdo con los códigos locales o, ante la ausencia de códigos locales, debe regirse por el Código de Gas Nacional (National Fuel Gas Code), ANSI Z223.1/NFPA 54 cuando se instale en los Estados Unidos o, si se instala en Canadá, debe regirse por el Código de Gas Canadiense (Canadian Fuel Gas Code), CAN/CGA B149 y CAN/CGA B149.2.

- Cuando la instalación se realice en casas prefabricadas, se debe cumplir con la Norma de Seguridad y Construcción de Casas Prefabricadas (Manufactured Home Construction and Safety Standard), del título 24 del Código de Regulaciones Federales (CFR), parte 3280 (que anteriormente se conocía como Norma Federal de Seguridad y Construcción de Casas Prefabricadas [Federal Standard for Mobile Home Construction and Safety] del título 24, parte 280, del Departamento de Vivienda y Desarrollo Urbano de los Estados Unidos [HUD]) o, cuando dicha norma no sea aplicable, se debe cumplir con la Norma de Instalación para Casas Prefabricadas (Standard for Manufactured Home Installation), ANSI/NCSBCS A225.1, o con los códigos locales correspondientes.

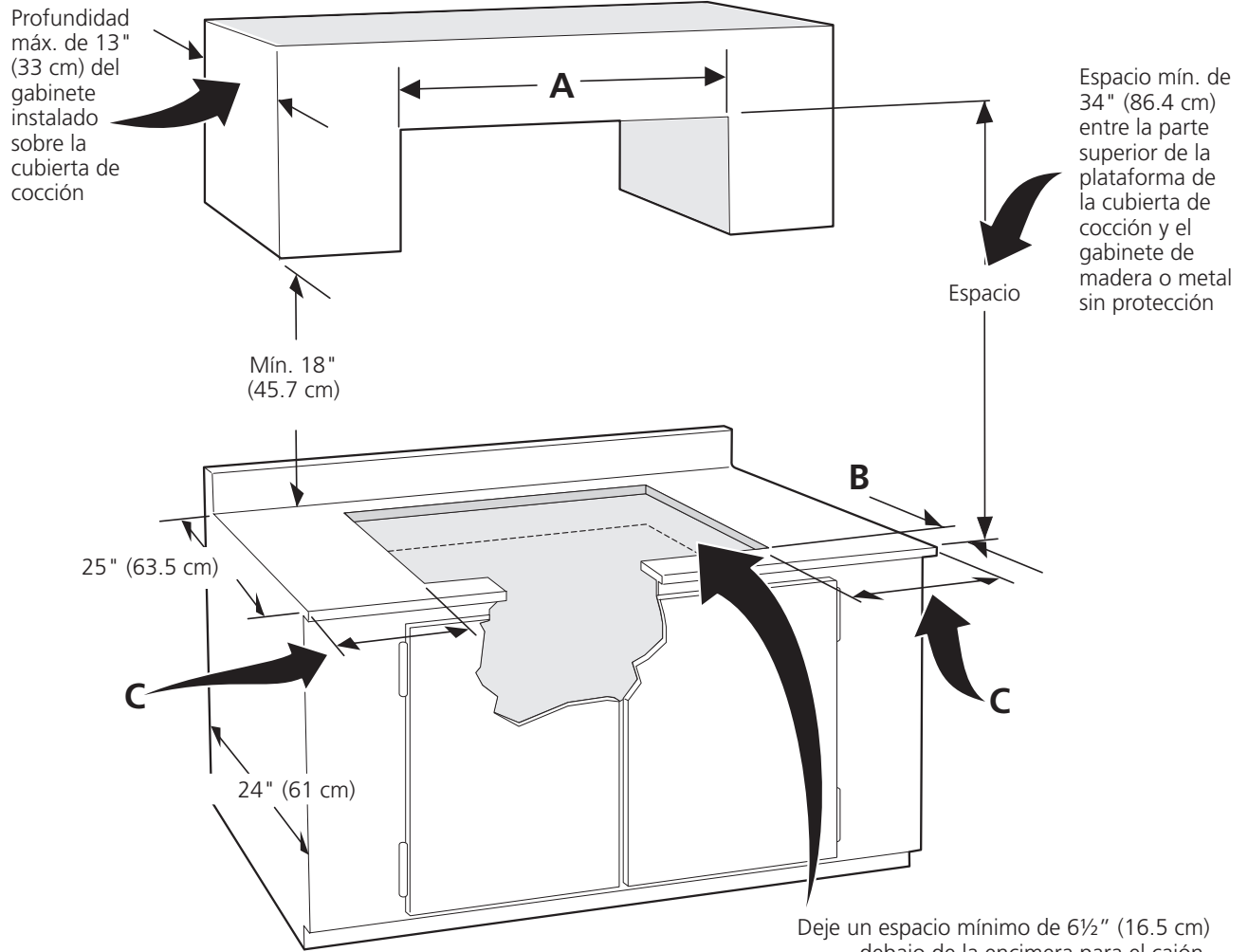
Esta cubierta de cocción ha sido diseñada y certificada por CSA International. Al igual que con todo artefacto que utiliza gas y que genera calor, existen ciertas precauciones de seguridad que debe seguir. Podrá consultarlas en la [Guía de uso y cuidado](#); léalas cuidadosamente.

- No se deben usar cortinas de aire o cualquier otra campana de ventilación superior que sople aire hacia abajo sobre la estufa a gas, a menos que la campana de ventilación y la estufa hayan sido diseñadas, sometidas a prueba y certificadas por un laboratorio de pruebas independiente para el uso combinado de ambas.
- Asegúrese de que un instalador calificado o un técnico de mantenimiento instale y conecte correctamente a tierra la cubierta de cocción.
- Esta cubierta de cocción se debe conectar a tierra según lo establecido en los códigos locales o, ante la ausencia de estos, de acuerdo con lo estipulado en el Código Nacional de Electricidad (National Electrical Code), ANSI/NFPA n.º 70, última versión en los Estados Unidos, o con el Código Canadiense de Electricidad (Canadian Electrical Code), CSA C22.1 parte 1, en Canadá.
- En caso de una falla eléctrica, los quemadores se pueden encender manualmente. Para encender un quemador, sostenga una cerilla encendida sobre la cabeza del quemador y gire la perilla de control superior lentamente a la posición "LITE" (encender). Tenga cuidado cuando encienda los quemadores manualmente.
- No almacene artículos de interés para los niños en los gabinetes que están sobre la cubierta de cocción. Los niños pueden subirse a la cubierta de cocción para alcanzar dichos artículos y sufrir quemaduras graves.
- Para eliminar la necesidad de buscar objetos por encima de los quemadores, debe evitar colocar gabinetes de guardado en este lugar.
- Ajuste el tamaño de la llama para que no se extienda más allá del borde del utensilio de cocina. El tamaño excesivo de la llama es peligroso.
- Nunca utilice la cubierta de cocción para calentarse o para calentar la habitación. El uso prolongado de la cubierta de cocción sin la ventilación adecuada puede resultar peligroso.
- No almacene ni use gasolina ni otros líquidos o vapores inflamables en la proximidad de este o de cualquier otro electrodoméstico. Puede provocar explosiones o incendios.

⚠ ADVERTENCIA Se debe desconectar la energía eléctrica de la cubierta de cocción cuando se realizan las conexiones de la línea de suministro de gas. De lo contrario, esto podría provocar lesiones graves o la muerte.

INSTRUCCIONES DE INSTALACIÓN DE LA CUBIERTA DE COCCIÓN A GAS

(para los modelos de 30" y 36")



PRECAUCIÓN Para eliminar el riesgo de quemaduras o incendios causados por intentar alcanzar algo pasando por encima de superficies calientes, se debe evitar dejar espacio de almacenamiento en el gabinete ubicado sobre la cubierta de cocción. Si se proporciona almacenamiento en el gabinete, se puede reducir el riesgo instalando una campana de ventilación colocada horizontalmente a un mínimo de 5" (12.7 cm) desde la parte inferior de los gabinetes.

MODELO	A.	B. Distancia máxima desde el frente del espacio para el horno hasta el frente de la encimera si la pared trasera es inflamable.	C. Distancia mínima desde el lado izquierdo y espacio mínimo desde el lado derecho.	D. Distancia mínima desde la parte trasera del electrodoméstico hasta la parte trasera de la encimera si la superficie es inflamable.
Cubierta de cocción de 30"	30" (76,2 cm)	1 13/16" (4.6 cm)	12" (30.5 cm)	2 9/16" (6.5 cm)
Cubierta de cocción de 36"	36" (91.4 cm)	1 13/16" (4.6 cm)	12" (30.5 cm)	2 9/16" (6.5 cm)

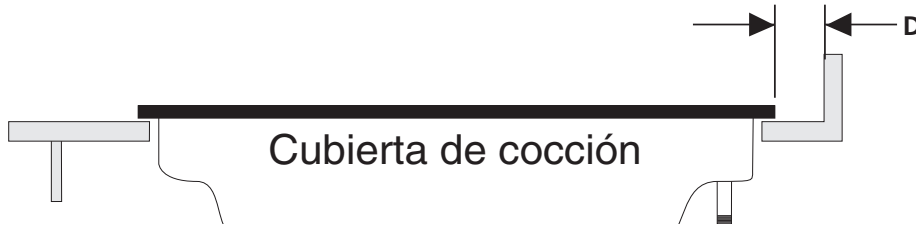


Figura 2: DISEÑO DEL GABINETE

3

INSTRUCCIONES DE INSTALACIÓN DE LA CUBIERTA DE COCCIÓN A GAS (para los modelos de 30" y 36")

Instalación típica debajo de la encimera de un horno eléctrico empotrable con una cubierta de cocción instalada arriba

⚠ ADVERTENCIA

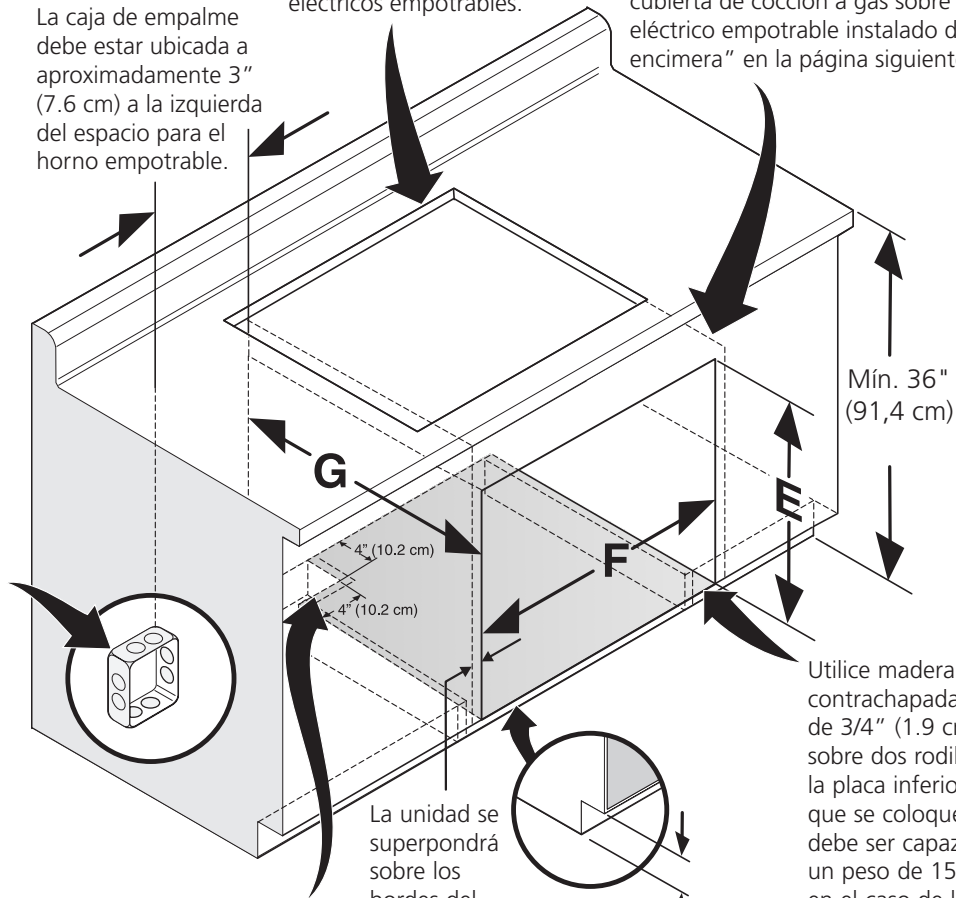
Se deben usar todos los accesorios de instalación para asegurar el horno empotrable en los gabinetes. Consulte las instrucciones de instalación del horno empotrable.

Esta cubierta de cocción se puede instalar sobre ciertos modelos de hornos eléctricos empotrables.

Los paneles de relleno laterales son necesarios para aislar la unidad de los gabinetes contiguos. La altura del panel debe permitir la instalación de modelos de cubiertas de cocción aprobados. Consulte la "Instalación típica de una cubierta de cocción a gas sobre un horno eléctrico empotrable instalado debajo de la encimera" en la página siguiente.

La caja de empalme debe estar ubicada a aproximadamente 3" (7.6 cm) a la izquierda del espacio para el horno empotrable.

Caja de empalme de 208/240 V conectada a tierra para horno empotrable.



Corte una abertura en la base de madera de, como mínimo, 4" x 4" (10.2 cm x 10.2 cm) para dirigir el cable blindado a la caja de empalme.

La unidad se superpondrá sobre los bordes del espacio para el horno (mínimo en 1" (2.5 cm))

Máximo de 4 1/2" (11.4 cm)*

Utilice madera contrachapada (plywood) de 3/4" (1.9 cm) instalada sobre dos rodillos al ras con la placa inferior. La base en que se coloque el horno debe ser capaz de soportar un peso de 150 lb (68 kg) en el caso de los modelos de 27" y de 200 libras (90 kg) en el caso de los modelos de 30".

DIMENSIONES DEL ESPACIO PARA EL HORNO (PULGADAS [cm])					
TAMAÑO DEL HORNO	E		F		G
	Mín.	Máx.	Mín.	Máx.	
30" (76.2 cm)	27 ¼" (69.2 cm)	28 ¼" (71.8 cm)	28 ½" (72.4 cm)	29" (73.7 cm)	23 ½" (59.7 cm)
27" (68.6 cm)	27 ¼" (69.2 cm)	28 ¼" (71.8 cm)	24 7/8" (63.2 cm)	25 ¼" (64.1 cm)	23 ½" (59.7 cm)

Figura 3

INSTRUCCIONES DE INSTALACIÓN DE LA CUBIERTA DE COCCIÓN A GAS (para los modelos de 30" y 36")

Instalación típica de una cubierta de cocción a gas sobre un horno eléctrico empotrable instalado debajo de la encimera

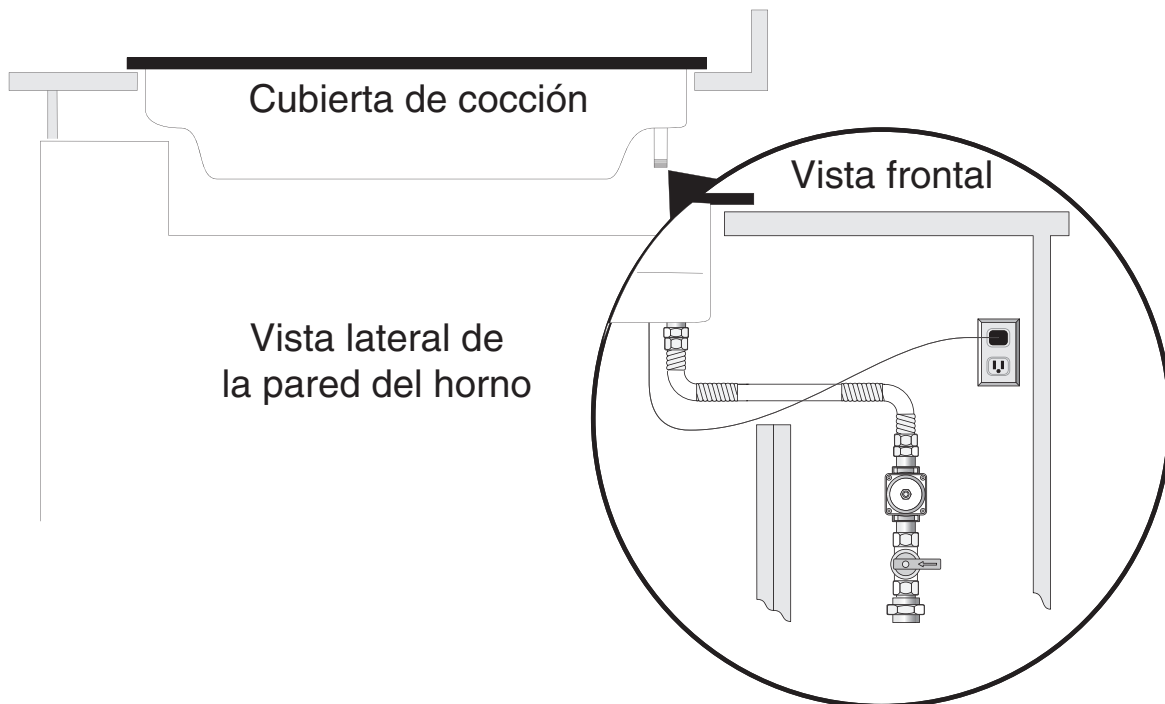
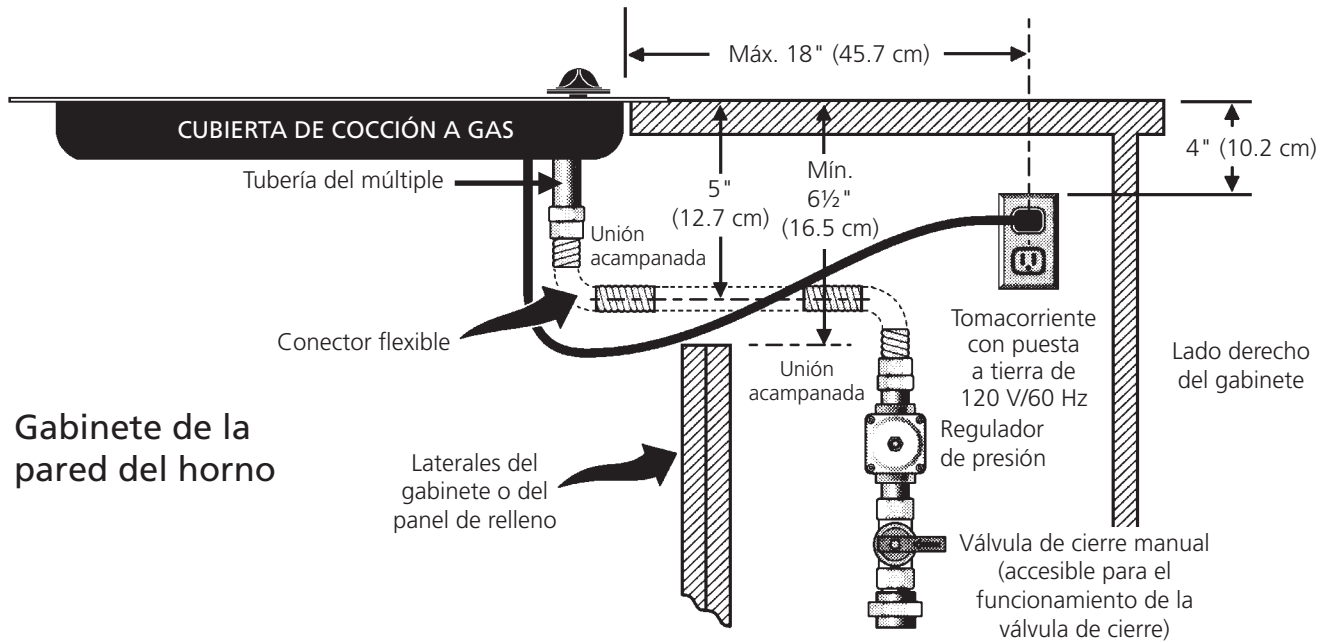
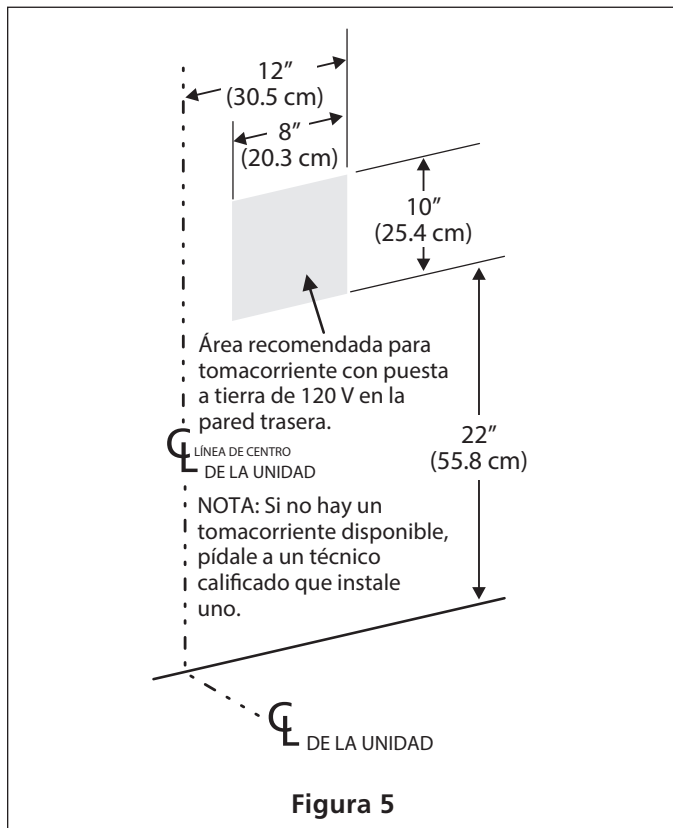


Figura 4

INSTRUCCIONES DE INSTALACIÓN DE LA CUBIERTA DE COCCIÓN A GAS

(para los modelos de 30" y 36")

Ubicación del tomacorriente de pared



Instalación de la cubierta de cocción

1. Revise visualmente la cubierta de cocción en busca de daños.
2. Coloque la cubierta de cocción en el espacio para el horno de la encimera.

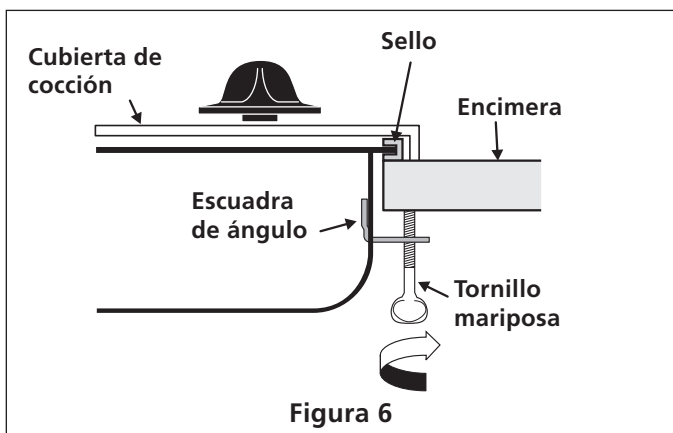
NOTA: No use compuesto sellante, ya que la cubierta de cocción se debe poder mover para realizarle un servicio técnico, de ser necesario.

Kit de instalación en encimera de granito

Se puede pedir un kit de instalación en encimera de granito n.º 903103-9010 a través de un centro de servicio técnico o por teléfono llamando al **1-877-ELECTROLUX (1-877-435-3287)**.

Información sobre cómo sujetar la unidad

Una vez que la cubierta de cocción está instalada en la abertura de la encimera, debe sujetar la unidad como se muestra en la figura.



Para sujetarla, inserte una escuadra de ángulo en la ranura a cada lado de la unidad como se muestra en la figura. Pase el tornillo mariposa a través de la escuadra hasta la parte inferior de la encimera. Ajuste el tornillo hasta que la unidad baje y esté segura.

Proporcionar un suministro adecuado de gas

Esta cubierta de cocción está diseñada para funcionar solo con gas natural a una presión del múltiple de 4" (12.7 cm).

Se conecta un regulador de presión en serie con el múltiple en la cubierta de cocción y debe permanecer en serie con la línea de suministro.

Para lograr un funcionamiento correcto, la presión máxima de admisión al regulador no debe ser superior a 14" (35.5 cm) de presión de columna de agua.

Para verificar el regulador, la presión de admisión debe ser de al menos 1" (2.5 cm) (o 2.5 kPa) mayor que el ajuste de la presión del múltiple del regulador. El regulador está configurado para 4" (12.7 cm) de presión del múltiple; la presión de admisión debe ser de al menos 6" (15.2 cm).

La línea de suministro de gas que va a la estufa debe ser un tubo de 1/2" o 3/4".

Conversión a gas propano/LP

Este electrodoméstico puede usarse con gas natural o con gas propano/LP. El electrodoméstico viene regulado de fábrica para usarse con gas natural.

Esta cubierta de cocción incluye un kit de conversión a gas LP. El kit está marcado como "FOR LP/PROPANE GAS CONVERSION" (para conversión a gas LP/propano).

La conversión debe ser realizada por un técnico de servicio calificado de acuerdo con las instrucciones del kit y con todos los códigos y leyes locales. Si no se siguen las instrucciones, esto podría causar lesiones graves o daños a la propiedad. La agencia calificada de servicio técnico que realice esta conversión asume la responsabilidad por la conversión.

ADVERTENCIA No realizar la conversión adecuada puede provocar lesiones personales graves y daños a la propiedad.

Importante: Antes de conectar el suministro eléctrico y de gas a la cubierta de cocción, retire todo su material de empaque y la documentación.

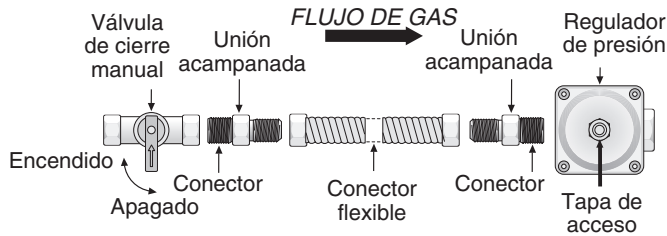
INSTRUCCIONES DE INSTALACIÓN DE LA CUBIERTA DE COCCIÓN A GAS

(para los modelos de 30" y 36")

Instalación del regulador de presión

Instale el regulador de presión con la flecha del regulador apuntando hacia arriba a la unidad en una posición donde una persona pueda alcanzar la tapa de acceso.

ADVERTENCIA No ajuste demasiado la conexión. El regulador está fundido a presión. Un exceso de ajuste de la conexión puede agrietar el regulador y provocar una fuga de gas y un posible incendio o explosión.



Todas las conexiones deben estar ajustadas con llave.

Figura 7

Instale el conector flexible del tubo de suministro de gas al regulador de presión en el orden siguiente:

1. Válvula de cierre manual
2. Boquilla de 1/2" (1.3 cm)
3. Adaptador de unión acampanada de 1/2" (1.3 cm)
4. Conector flexible
5. Adaptador de unión acampanada de 1/2" (1.3 cm)
6. Boquilla de 1/2" (1.3 cm)
7. Regulador de presión

Utilice un compuesto para uniones de tuberías fabricado para utilizarlo con gas natural y gas LP/propano a fin de sellar todas las conexiones de gas. Si se utilizan conectores flexibles, asegúrese de que los conectores no estén torcidos.

La línea de suministro de gas debe estar equipada con una válvula de cierre manual aprobada. Esta válvula debe estar ubicada en la misma habitación que la cubierta de cocción, en una ubicación que permita abrirla y cerrarla con facilidad. No bloquee el acceso a la válvula de cierre. La válvula es para abrir o cerrar el paso de gas al electrodoméstico.

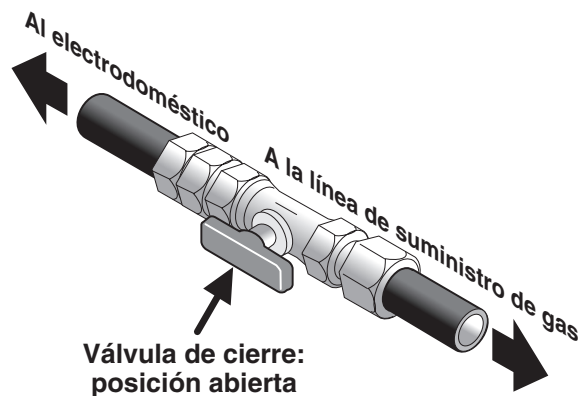


Figura 8

Una vez que el regulador esté colocado, abra la válvula de cierre de la línea de suministro de gas. Espere unos minutos a que el gas fluya a través de la línea de suministro de gas.

Verifique si hay escapes. Después de conectar la cubierta de cocción al suministro de gas, verifique que el sistema no tenga fugas con un manómetro. Si no tiene un manómetro, abra el suministro de gas y utilice un detector de escape líquido (o agua y jabón) en todas las uniones y las conexiones para verificar si hay fugas.

ADVERTENCIA No utilice una llama para verificar si hay escapes de las conexiones de gas. El uso de fuego puede causar un incendio o una explosión.

Ajuste todas las conexiones si es necesario para evitar fugas de gas en la cubierta de cocción o en la línea de suministro.

Verifique la alineación de las válvulas de la perilla de control después de conectar la cubierta de cocción al suministro de gas para asegurarse de que el tubo del múltiple de la cubierta de cocción no se haya movido. Una mala alineación podría hacer que los ejes de las válvulas rocen con el panel de control, dando como resultado una fuga de gas en la válvula.

Desconecte la cubierta de cocción y la válvula de cierre manual individual del sistema de tuberías de suministro de gas durante cualquier prueba de presión del sistema si las presiones de prueba sobrepasan 1/2 psig (3.5 kPa o una presión de columna de agua de 14" [35.5 cm]).

Aísle la cubierta de cocción del sistema de tuberías de suministro de gas cerrando la válvula de cierre manual individual durante cualquier prueba de presión del sistema de tuberías de suministro de gas si las presiones de prueba son iguales o inferiores a 1/2 psig (3.5 kPa o una presión de columna de agua de 14" [35.5 cm]).

Requisitos eléctricos

Un circuito de bifurcación individual de 120 V y 60 Hz correctamente conectado a tierra, protegido por un fusible de acción retardada o disyuntor de 15 A. **No utilice cables de extensión con esta cubierta de cocción.**

Instrucciones de puesta a tierra

IMPORTANTE: Lea cuidadosamente.

Para su seguridad personal, este electrodoméstico debe estar debidamente puesto a tierra.

El cable de alimentación de este electrodoméstico está equipado con un enchufe de 3 clavijas (tierra) que coincide con el tomacorriente (consulte la Figura 9) con puesta a tierra de 3 clavijas para minimizar la posibilidad de choque eléctrico de este electrodoméstico.

Se debe solicitar la asistencia de un electricista calificado que inspeccione el tomacorriente y el circuito eléctrico correspondiente, a fin de asegurarse de que el tomacorriente esté debidamente puesto a tierra.

Cuando se instala un tomacorriente estándar de 2 clavijas, es responsabilidad y obligación personal del consumidor reemplazarlo por un tomacorriente de 3 clavijas debidamente conectado a tierra.

INSTRUCCIONES DE INSTALACIÓN DE LA CUBIERTA DE COCCIÓN A GAS (para los modelos de 30" y 36")

Bajo ninguna circunstancia corte ni remueva la tercera clavija (tierra) del cable de alimentación.

ADVERTENCIA Desconecte el cable de suministro eléctrico del tomacorriente antes de reparar la cubierta de cocción.

Método sugerido

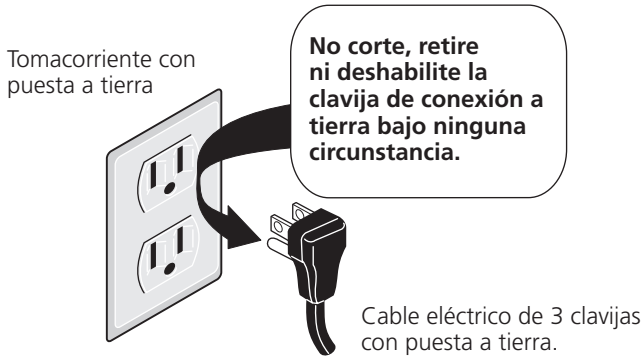


Figura 9

Ubicación de la placa de número de modelo y de serie

La placa de serie se encuentra en la parte inferior de la cubierta de cocción (consulte la Figura 10).

Para realizar pedidos de piezas o para consultar sobre la estufa, asegúrese de especificar siempre el modelo y los números de serie, así como la letra o el número de lote que figura en la placa de serie de la cubierta de cocción.

En la placa de serie también se informan datos sobre los quemadores, sobre el tipo de combustible y sobre la presión a la que se reguló la cubierta de cocción cuando salió de la fábrica.

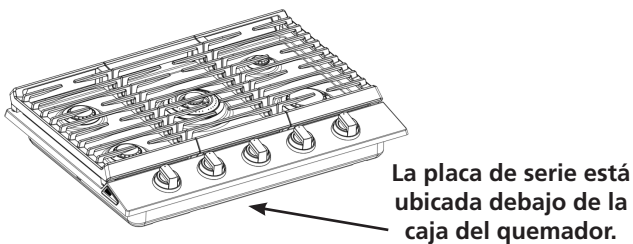


Figura 10

Verificación del funcionamiento

Consulte la **Guía de uso y cuidado** incluida con el electrodoméstico para obtener instrucciones de funcionamiento y para conocer acerca del cuidado y de la limpieza de la cubierta de cocción.

PRECAUCIÓN No toque los quemadores. Pueden calentarse lo suficiente como para causar quemaduras.

1. Verifique la colocación de la tapa del quemador

Quemador normal

Es muy importante asegurarse de que todas las tapas y las rejillas de los quemadores superiores estén debidamente instaladas y en las ubicaciones correctas antes de utilizar el electrodoméstico. La cubierta de cocción no se puede retirar. No intente retirarla o levantarla.

ADVERTENCIA Para evitar llamaradas y la generación de vapores nocivos, no use la cubierta sin todas las tapas de los quemadores debidamente instaladas. Si están todas instaladas correctamente, asegurará el encendido adecuado y el tamaño correcto de las llamas.

Siempre mantenga las tapas y las cabezas de los quemadores en su lugar cuando los quemadores superiores estén en uso. No permita que los derrames, alimentos, agentes de limpieza ni ningún otro material entren en la abertura de los orificios.

Verifique y asegúrese de que el tamaño de la tapa de cada quemador coincida con el tamaño de la cabeza del quemador. Verifique que todas las tapas de los quemadores redondos estén debidamente colocadas sobre las cabezas redondas de los quemadores.

Verifique que todas las tapas de los quemadores ovalados estén debidamente colocadas sobre las cabezas ovaladas de los quemadores (si vinieran provistos). Verifique que todas las tapas de los quemadores dobles estén debidamente colocadas sobre las cabezas dobles de los quemadores (si vinieran provistos).

En los quemadores redondos, el reborde de la tapa del quemador debe calzar firmemente en el centro de la cabeza del quemador y quedar nivelado. Consulte la Figura 11 para conocer las maneras correctas e incorrectas de colocar la tapa del quemador.

Una vez colocada una tapa, puede verificar si cabe deslizando suavemente la tapa del quemador de lado a lado (Figura 12) para asegurarse de que esté centrada y firmemente asentada. Tenga en cuenta que la tapa del quemador NO se debe mover del centro de la cabeza del quemador cuando intente moverla de lado a lado.

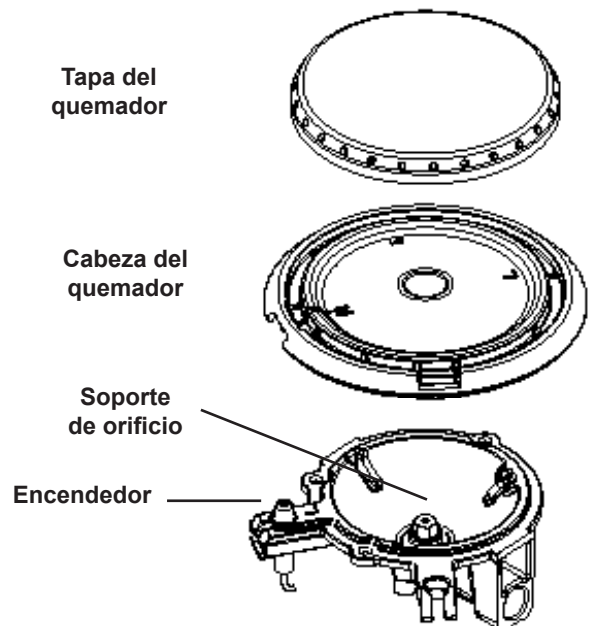


Figura 11

INSTRUCCIONES DE INSTALACIÓN DE LA CUBIERTA DE COCCIÓN A GAS

(para los modelos de 30" y 36")

2. Conecte la energía eléctrica y abra la válvula de gas de cierre principal

3. Verificar los encendedores

El funcionamiento de los encendedores eléctricos debe verificarse después de que se hayan controlado atentamente los conectores de la línea de suministro y de la estufa en busca de escapes, y de que la estufa haya sido conectada al suministro eléctrico.

- Para verificar el correcto encendido, presione y gire la perilla de un quemador superior hasta la posición "LITE" (encender). Escuchará las chispas del encendedor.
- El quemador superior debe encenderse cuando fluya gas hacia el quemador. Purgue el aire de las líneas de suministro dejando la perilla en la posición "LITE" (encender) hasta que el quemador se encienda. Cada quemador debe encenderse antes de que hayan transcurrido cuatro (4) segundos de funcionamiento normal luego de que se haya purgado el aire de las líneas de suministro.
- Verifique visualmente que el quemador se haya encendido. Una vez que el quemador se encienda, debe girar la perilla para que no quede en la posición "LITE" (encender).

- Pruebe cada perilla de control superior por separado hasta que se hayan verificado todas las válvulas. Cada ubicación de quemador cuenta con un electrodo aparte.

4. Ajuste la configuración "LOW" (bajo) de las válvulas de los quemadores superiores (flujo lineal)

Pruebe el ajuste "LOW" (bajo) para comprobar si debe ser ajustado:

- Oprima la perilla hacia adentro y gírela a la posición "LITE" (encender) hasta que el quemador se encienda.
- Oprima la perilla hacia adentro y rápidamente gire la perilla al mínimo.
- Si el quemador se apaga, gire la perilla a la posición "OFF" (apagado).
- Retire la perilla del quemador superior.
- Introduzca un destornillador delgado en la varilla hueca de la válvula y ajústelo sobre el tornillo que se encuentra adentro. El tamaño de la llama se puede aumentar o reducir girando el tornillo. Gire el tornillo a la izquierda para aumentar el tamaño de la llama. Gire el tornillo a la derecha para reducir el tamaño de la llama (Figura 14). Ajuste la llama hasta que pueda girar la perilla rápidamente desde la posición "LITE" (encender) hasta el ajuste mínimo sin que se apague la llama. La llama debe ser lo más pequeña posible sin que se apague.

⚠ ADVERTENCIA No retire el tornillo central.

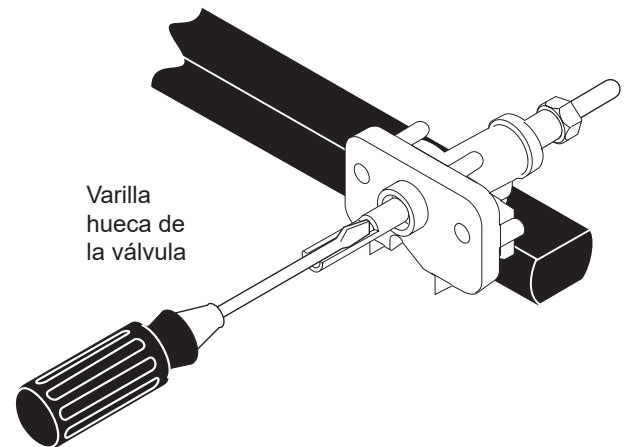


Figura 14

Cuando todas las conexiones estén completas

Asegúrese de que todos los controles estén en la posición "OFF" (apagado).

Asegúrese de que no se obstruya el flujo del aire de combustión y ventilación que va a la cubierta de cocción.

Antes de solicitar servicio técnico

Lea la lista de verificación Antes de solicitar servicio y las instrucciones de funcionamiento en la **Guía de uso y cuidado**. Puede ahorrarle tiempo y dinero. Esta lista incluye los incidentes más comunes que no son originados por mano de obra o materiales defectuosos de este electrodoméstico.

Consulte el texto de garantía incluido en la **Guía de uso y cuidado**, donde se indica nuestro número telefónico de atención al cliente y nuestra dirección. Si tiene alguna pregunta sobre el producto o necesita realizar un pedido de piezas, puede llamarnos o escribirnos.

INSTRUCTIONS D'INSTALLATION POUR TABLE DE CUISSON AU GAZ

Modèles de 30 po (76,2 cm) et 36 po (91,4 cm)

L'INSTALLATION ET L'ENTRETIEN DOIVENT ÊTRE RÉALISÉS PAR UN INSTALLATEUR QUALIFIÉ.
IMPORTANT : CONSERVEZ CES INSTRUCTIONS EN PRÉVISION D'UN USAGE ÉVENTUEL PAR L'INSPECTEUR EN ÉLECTRICITÉ DE VOTRE LOCALITÉ.

VEUILLEZ LIRE ET CONSERVER CES INSTRUCTIONS POUR VOUS Y REPORTER ULTÉRIEUREMENT.

AVERTISSEMENT Si l'information contenue dans ce guide n'est pas suivie à la lettre, il pourra en résulter un feu ou une explosion entraînant des dommages matériels, des blessures ou même la mort.

POUR VOTRE SÉCURITÉ :

- Vous ne devez ni entreposer, ni utiliser d'essence ou d'autres vapeurs ou liquides inflammables à proximité de cet appareil ou de tout autre appareil électroménager.
- QUE FAIRE SI VOUS DÉTECTEZ UNE ODEUR DE GAZ :
 - Ne mettez pas d'appareil en marche.
 - Ne touchez à aucun commutateur électrique; ne vous servez pas du téléphone de la maison.
 - En utilisant le téléphone d'un voisin, appelez immédiatement le fournisseur de gaz. Suivez les directives données par votre fournisseur de gaz.
 - Si vous ne pouvez joindre votre fournisseur de gaz, appelez les pompiers.
- L'installation et l'entretien de cet appareil doivent être réalisés par un installateur qualifié, un technicien de service ou le fournisseur de gaz.

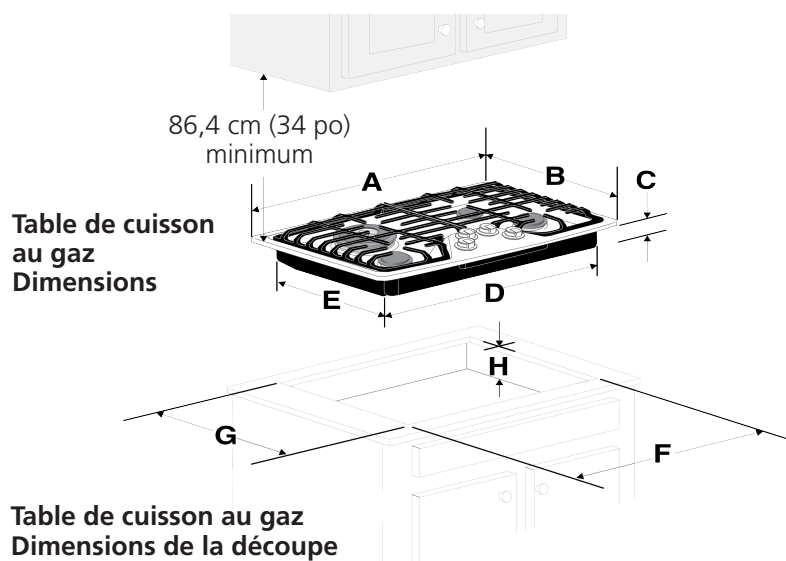


Figure 1

DIMENSIONS DU PRODUIT					
MODÈLE	A. LARGEUR	B. PROFONDEUR	C. HAUTEUR	D. LARGEUR DE LA BOÎTE	E. LARGEUR DE LA BOÎTE
Table de cuisson au gaz de 30 po (76,2 cm)	76,2 cm (30 po)	53,3 cm (21 po)	61,6 cm (24 1/4 po)	68,6 cm (27 po)	47,9 cm (18 7/8 po)
Table de cuisson au gaz de 36 po (91,4 cm)	91,4 cm (36 po)	53,3 cm (21 po)	61,6 cm (24 1/4 po)	85,4 cm (33 5/8 po)	47,9 cm (18 7/8 po)

DIMENSIONS DE LA DÉCOUPE					
MODÈLE	F. LARGEUR		G. PROFONDEUR		H. HAUTEUR SOUS LA TABLE DE CUISSON
	MINIMUM	MAXIMUM	MINIMUM	MAXIMUM	
Table de cuisson au gaz de 30 po (76,2 cm)	69,2 cm (27 1/4 po)	74,3 cm (29 5/16 po)	48,3 cm (19 po)	50,8 cm (20 po)	19,0 cm (7,5 po)
Table de cuisson au gaz de 36 po (91,4 cm)	86,0 cm (33 7/8 po)	90,3 cm (35 5/8 po)	48,3 cm (19 po)	50,8 cm (20 po)	19,0 cm (7,5 po)

Toutes les dimensions sont données en cm (po).
 Les dimensions **H** comprennent un espace de 12,7 cm (5 po) sous la table de cuisson pour le raccordement à la conduite d'alimentation en gaz.

INSTRUCTIONS D'INSTALLATION POUR TABLE DE CUISSON AU GAZ

Modèles de 30 po (76,2 cm) et 36 po (91,4 cm)

Remarques importantes pour l'installateur

1. Veuillez lire toutes les instructions d'installation avant d'installer la table de cuisson.
2. Retirez tout le matériel d'emballage avant de connecter ce dernier à la table de cuisson.
3. Respectez tous les codes et tous les règlements en vigueur.
4. Assurez-vous de laisser ces instructions à l'utilisateur.
5. Remarque : Pour un fonctionnement à une altitude supérieure à 610 m (2 000 pi), les caractéristiques nominales de l'appareil doivent être réduites de 4 % pour chaque tranche de 305 m (1 000 pi) d'altitude au-dessus du niveau de la mer.

Remarque importante pour l'utilisateur

Conservez ces instructions avec le guide d'utilisation et d'entretien pour vous y reporter ultérieurement.

Instructions particulières pour les appareils installés dans l'État du Massachusetts :

Cet appareil ne peut être installé dans l'État du Massachusetts que par un plombier ou un monteur d'installations au gaz qualifié de cet État. Si vous utilisez un raccord de gaz flexible, celui-ci ne doit pas excéder 0,91 m (3 pi) de longueur. Un robinet de gaz manuel en « T » doit être installé à la conduite de gaz qui est branchée à cet appareil.

MESURES DE SÉCURITÉ IMPORTANTES

L'installation de cette table de cuisson doit être faite conformément aux codes locaux ou, si ce type de code n'existe pas, au code national sur le gaz combustible ANSI Z223.1/NFPA 54 aux États-Unis, ou au Canada, au code national canadien sur le gaz combustible CAN/CGA B149 et CAN/CGA B149.2.

- Si la cuisinière est installée dans une maison préfabriquée (maison mobile), l'installation doit être conforme à la norme Manufactured Home Construction and Safety Standard, titre 24 CFR, partie 3280 (anciennement désignée comme la Federal Standard for Mobile Home Construction and Safety, titre 24, HUD [partie 280]) ou, si cette norme ne s'applique pas, l'installation doit être conforme à la norme ANSI/NCSBCS A225.1 de la Standard for Manufactured Home Installations, ou aux codes locaux, le cas échéant.

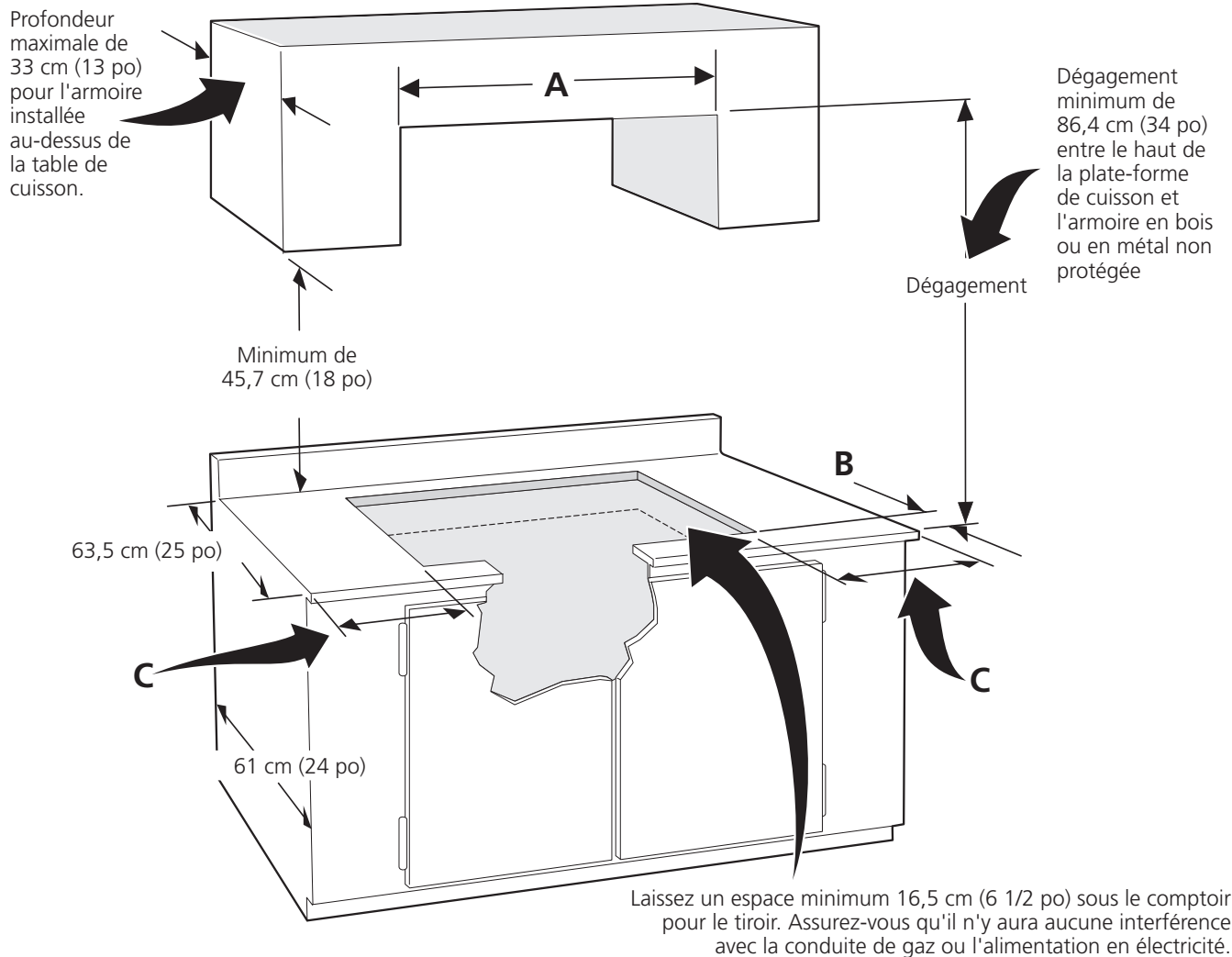
La conception de cette table de cuisson a été approuvée par CSA International. Comme dans le cas de tous les appareils fonctionnant au gaz et produisant de la chaleur, il est nécessaire de suivre certaines règles de sécurité. Vous les trouverez dans le Guide d'utilisation et d'entretien. Lisez-les attentivement.

- Les rideaux d'air ou les hottes de cuisinières, qui projettent de l'air vers la cuisinière en contrebas, ne doivent pas être utilisés avec des cuisinières à gaz, sauf si la hotte et la cuisinière ont été conçues, testées et répertoriées par un laboratoire d'essais indépendant pour pouvoir fonctionner conjointement.
- Vérifiez que votre table de cuisson est installée et mise à la terre de façon appropriée par un installateur qualifié ou un technicien de service.
- Cette table de cuisson doit être mise à la terre conformément aux codes locaux ou, en l'absence de tels codes, conformément au National Electrical Code ANSI/NFPA n° 70 aux États-Unis, ou au Canada, au Code canadien de l'électricité CSA C22.1 n° 1.
- En cas de panne de courant, les brûleurs peuvent s'allumer à la main. Pour ce faire, tenez une allumette allumée au-dessus de la tête du brûleur, puis tournez lentement le bouton de commande à la position « LITE » (allumage). Soyez prudent lorsque vous allumez manuellement les brûleurs.
- Ne rangez pas d'articles pouvant intéresser les enfants dans les armoires au-dessus de la table de cuisson. En voulant atteindre ces articles, les enfants risqueraient de se brûler gravement.
- Pour éliminer le besoin d'avoir à se pencher au-dessus des brûleurs de surface, vous devriez éviter de ranger des articles dans les armoires situées au-dessus des brûleurs.
- Réglez la flamme du brûleur de surface pour qu'elle ne dépasse pas du bord de l'ustensile de cuisson. Les flammes excessives sont dangereuses.
- N'utilisez jamais cette table de cuisson pour réchauffer ni chauffer une pièce. Une utilisation prolongée de la table de cuisson sans aération adéquate peut s'avérer dangereuse.
- N'entreposez pas et n'utilisez pas d'essence ni d'autres liquides et vapeurs inflammables près de la cuisinière ou de tout autre appareil électroménager. Cela pourrait causer des explosions ou des incendies.

⚠ AVERTISSEMENT L'alimentation électrique de la table de cuisson doit être coupée lors du raccord de la conduite de gaz. Le non-respect de cette consigne peut entraîner de graves blessures, voire la mort.

INSTRUCTIONS D'INSTALLATION POUR TABLE DE CUISSON AU GAZ

Modèles de 30 po (76,2 cm) et 36 po (91,4 cm)



ATTENTION Pour éliminer les risques de brûlure ou d'incendie qui peuvent survenir en vous penchant au-dessus d'un élément de surface chaud, vous devriez éviter de ranger des articles dans les armoires situées au-dessus de la table de cuisson. Si vous utilisez les armoires situées au-dessus de la table de cuisson pour le rangement, vous pouvez réduire les risques d'accident en installant une hotte qui dépasse d'au moins 12,7 cm (5 po) à l'horizontale en dessous des armoires.

MODÈLE	A.	B. Distance maximale entre l'avant de la découpe et l'avant du comptoir si le mur arrière est combustible.	C. Distance minimale du côté gauche et dégagement minimal du côté droit.	D. Distance minimale entre l'arrière de l'appareil et l'arrière du comptoir si la surface est combustible.
Table de cuisson de 30 po (76,2 cm)	76,2 cm (30 po)	4,6 cm (1 13/16 po)	30,5 cm (12 po)	6,5 cm (2 9/16 po)
Table de cuisson de 36 po (91,4 cm)	91,4 cm (36 po)	4,6 cm (1 13/16 po)	30,5 cm (12 po)	6,5 cm (2 9/16 po)

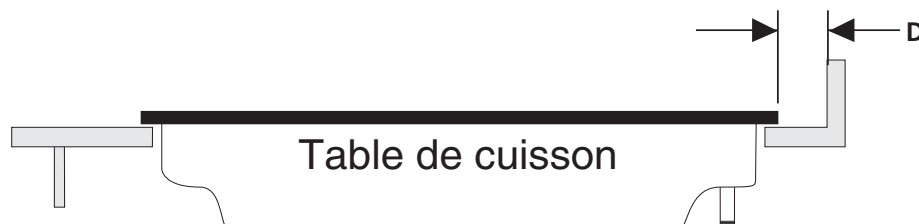


Figure 2 – CONCEPTION DES ARMOIRES

INSTRUCTIONS D'INSTALLATION POUR TABLE DE CUISSON AU GAZ

Modèles de 30 po (76,2 cm) et 36 po (91,4 cm)

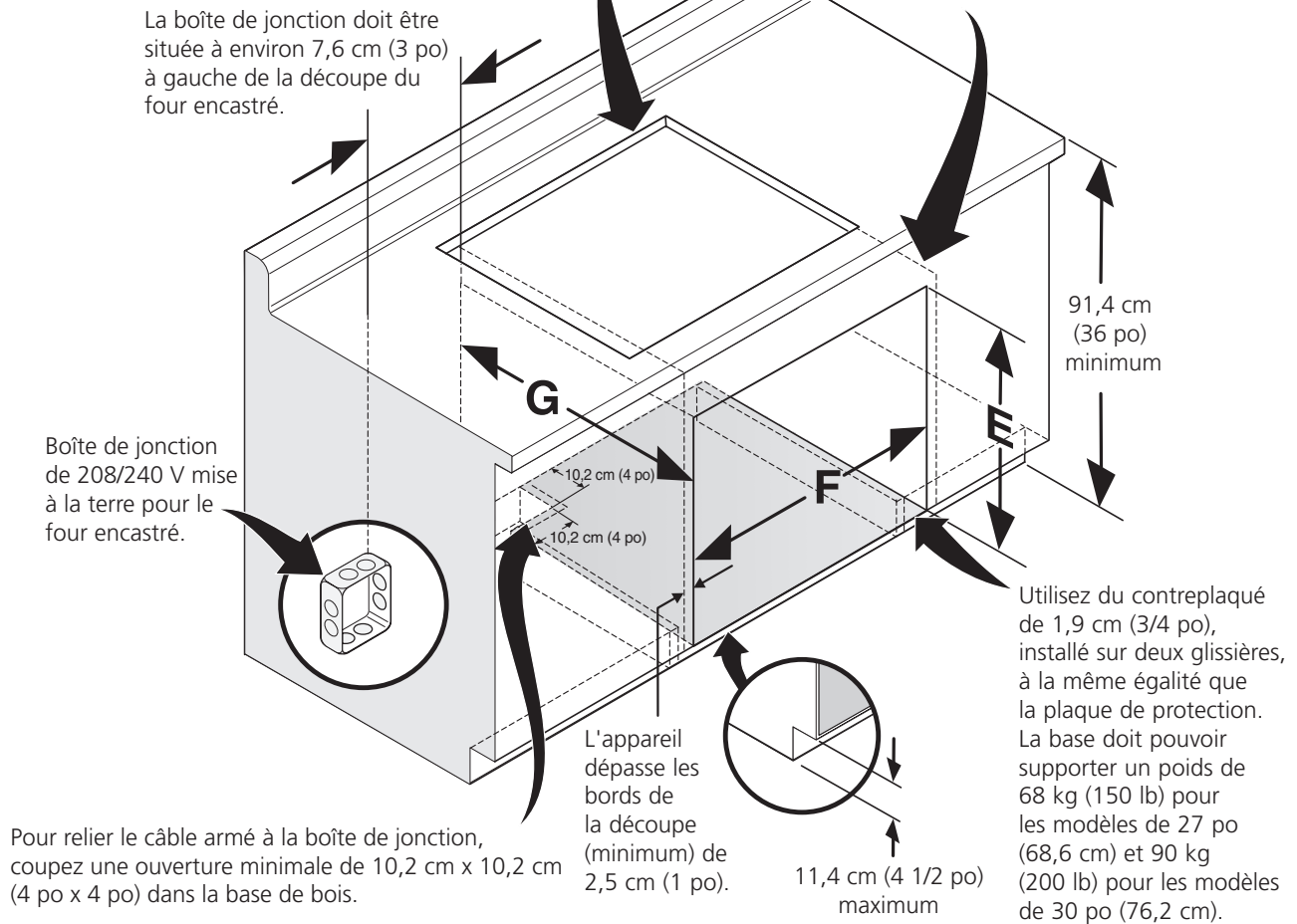
Installation sous le comptoir typique d'un four électrique encastré avec une table de cuisson installée au-dessus

AVERTISSEMENT

Tout le matériel d'installation doit être utilisé pour fixer le four encastré aux armoires. Consultez les instructions d'installation du four encastré.

Cette table de cuisson peut être installée au-dessus de certains modèles de four électrique encastrés.

Les panneaux complémentaires latéraux sont nécessaires pour isoler l'appareil des armoires adjacentes. La hauteur du panneau doit permettre l'installation de modèles de table de cuisson approuvés. Consultez « Installation typique d'une table de cuisson au gaz sur un four encastré électrique installé sous le comptoir » à la page suivante.



DIMENSIONS DE LA DÉCOUPE (cm [po])					
TAILLE DU FOUR	E		F		G
	Min.	Max.	Min.	Max.	
30 po (76,2 cm)	69,2 cm (27 1/4 po)	71,8 cm (28 1/4 po)	72,4 cm (28 1/2 po)	29 po (73,7 cm)	59,7 cm (23 1/2 po)
27 po (68,6 cm)	69,2 cm (27 1/4 po)	71,8 cm (28 1/4 po)	63,2 cm (24 7/8 po)	64,1 cm (25 1/4 po)	59,7 cm (23 1/2 po)

Figure 3

INSTRUCTIONS D'INSTALLATION POUR TABLE DE CUISSON AU GAZ

Modèles de 30 po (76,2 cm) et 36 po (91,4 cm)

Installation typique d'une table de cuisson au gaz sur un four encastré électrique installé sous le comptoir

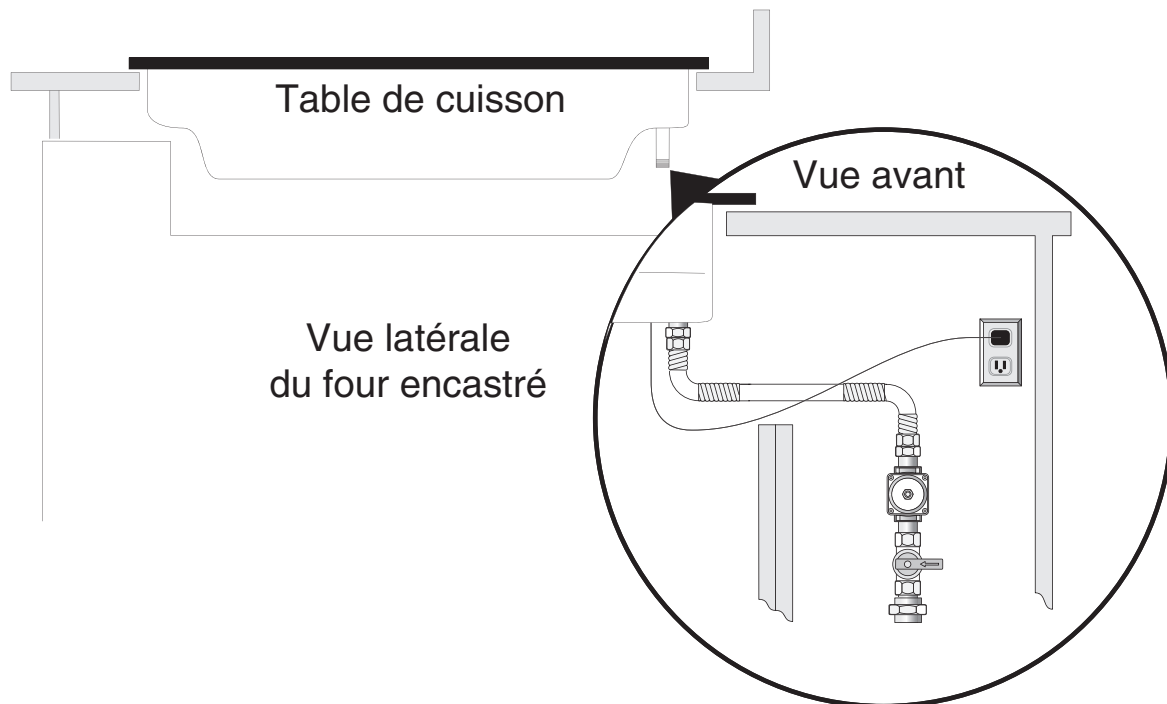
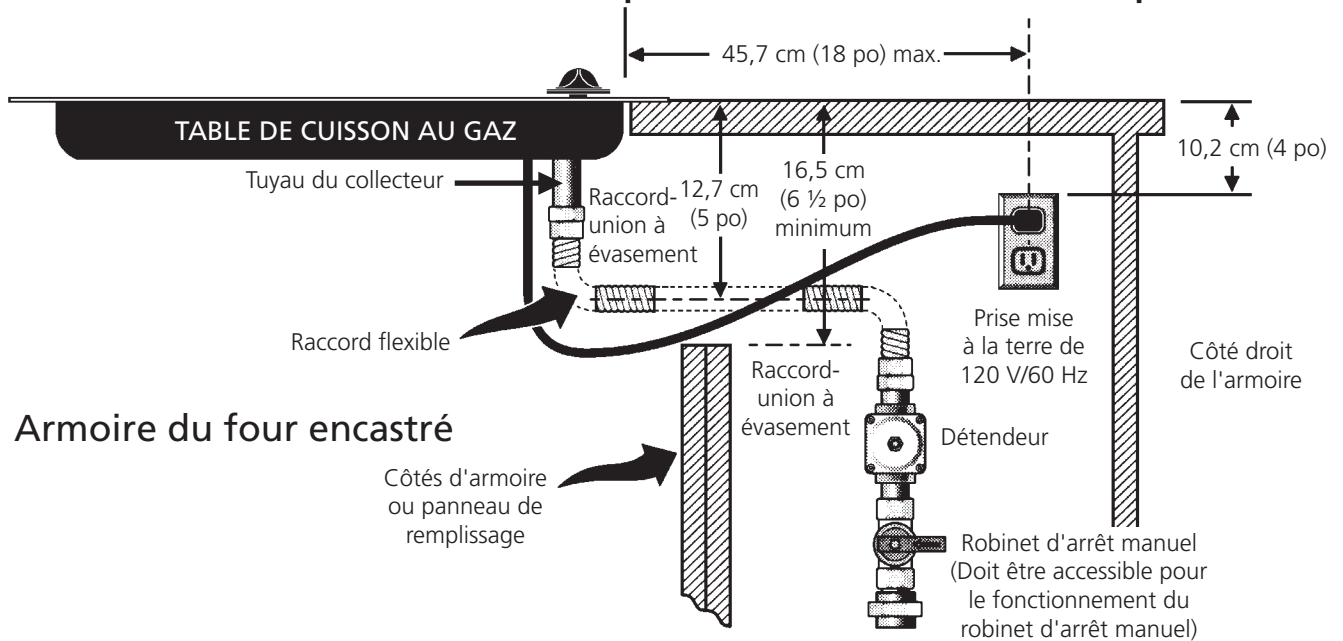
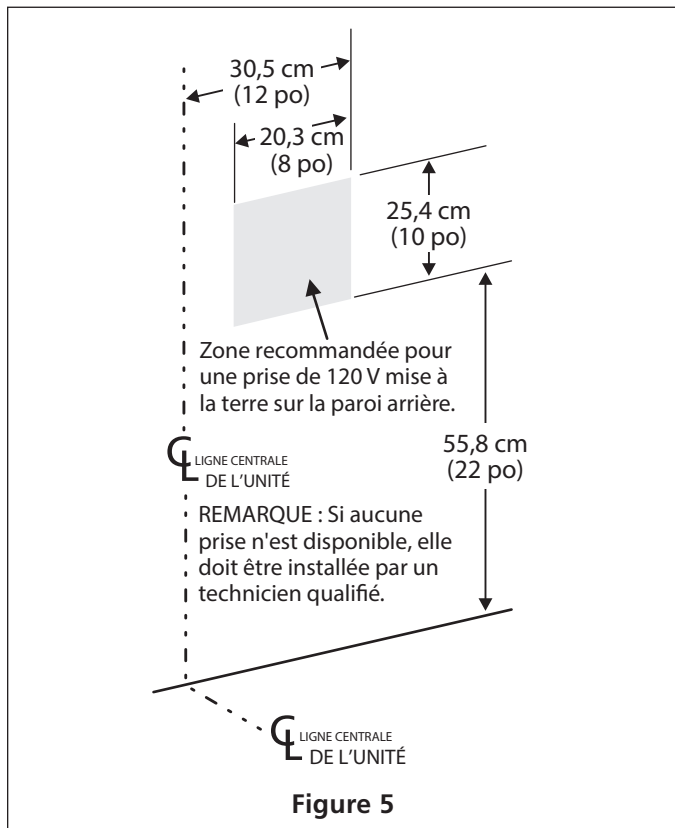


Figure 4

INSTRUCTIONS D'INSTALLATION POUR TABLE DE CUISSON AU GAZ

Modèles de 30 po (76,2 cm) et 36 po (91,4 cm)

Emplacement de la prise murale



Installation de la table de cuisson

1. Inspectez visuellement la table de cuisson pour identifier tout dommage.

2. Placez la table de cuisson dans l'ouverture du comptoir.

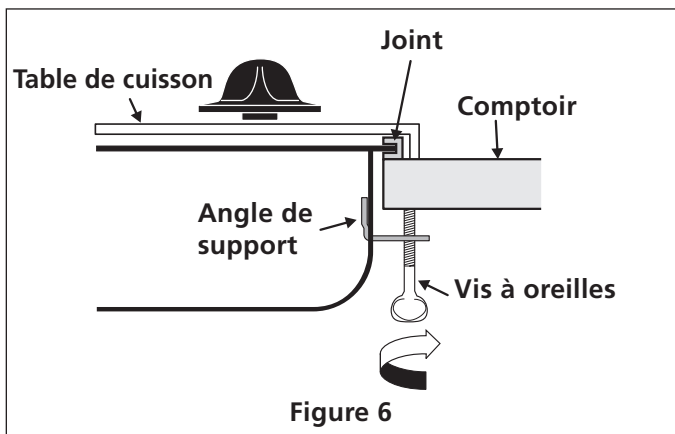
REMARQUE : N'utilisez pas de composé de calfeutrage; la table de cuisson doit être amovible lorsque le service est nécessaire.

Ensemble d'installation sur un comptoir en granite

Un ensemble d'installation sur un comptoir en granite, n° 903103-9010, peut être commandé via un centre de service ou par téléphone au **1 877 ELECTROLUX (1 877 435-3287)**.

Informations sur la fixation

Une fois la table de cuisson installée dans l'ouverture du comptoir, vous devez fixer l'appareil comme illustré.



Pour fixer l'appareil, insérez un angle de support dans la fente de chaque côté de l'unité comme illustré. Faites passer la vis à oreilles à travers le support, contre le bas du comptoir. Serrez jusqu'à ce que l'unité s'abaisse et soit sécurisée.

Prévoir une alimentation en gaz adaptée

Cette table de cuisson est conçue pour fonctionner à l'aide de gaz naturel et d'une pression au collecteur de 10,2 cm (4 po) seulement.

Un détendeur est raccordé en série au collecteur de la table de cuisson et doit être branché en série avec la conduite d'alimentation.

Pour assurer le bon fonctionnement de l'appareil,

la pression d'admission maximale allant vers le détendeur ne doit pas être supérieure à 35,6 cm (14 po) à la colonne d'eau.

Pour vérifier le détendeur, la pression d'admission doit être supérieure d'au moins 2,5 cm (1 po) (ou 2,5 kPa) à la pression au collecteur du détendeur. Le détendeur est réglé à une pression au collecteur de 10,2 cm (4 po), la pression d'admission doit être d'au moins 15,2 cm (6 po)

La conduite d'alimentation en gaz doit être un tuyau de 1,3 cm (1/2 po) ou de 1,9 cm (3/4 po).

Conversion au gaz propane/GPL

Cet appareil peut être utilisé avec du gaz naturel et du gaz propane/GPL. Il est réglé pour fonctionner au gaz naturel lorsqu'il quitte l'usine.

Un nécessaire de conversion au GPL est compris avec votre table de cuisson. Ce nécessaire porte la mention « POUR CONVERSION AU GPL/GAZ PROPANE ».

La conversion doit être effectuée par un technicien qualifié, en respectant les instructions du nécessaire, ainsi que tous les codes et exigences locaux. Le non-respect des instructions peut causer des blessures graves ou entraîner des dommages matériels. Le technicien de service après-vente qualifié qui effectue ce travail assume la responsabilité de la conversion.

⚠ AVERTISSEMENT Ne pas effectuer la conversion appropriée peut entraîner des blessures graves et des dommages matériels.

Important : Retirez le matériel d'emballage et les documents de la table de cuisson avant de connecter l'alimentation en gaz et en électricité à la table de cuisson.

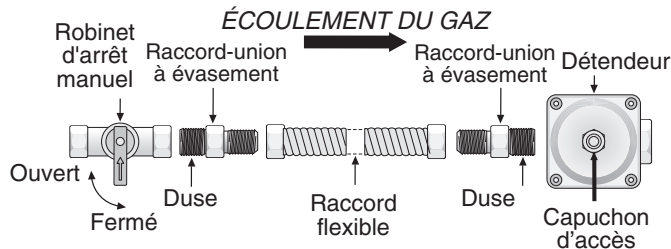
INSTRUCTIONS D'INSTALLATION POUR TABLE DE CUISSON AU GAZ

Modèles de 30 po (76,2 cm) et 36 po (91,4 cm)

Installer le détendeur

Installez le détendeur avec la flèche pointant vers l'unité dans une position vous permettant d'atteindre le capuchon d'accès.

⚠ AVERTISSEMENT Le raccordement ne doit pas être trop serré. Le détendeur est moulé sous pression. Un serrage excessif peut fissurer le détendeur et entraîner une fuite de gaz et un incendie ou une explosion.



Tous les raccords doivent être serrés au moyen d'une clé

Figure 7

Assemblez le raccord flexible du tuyau d'alimentation en gaz au détendeur dans l'ordre suivant :

1. robinet d'arrêt manuel
2. duse de 1,3 cm (1/2 po)
3. raccord-union évasé de 1,3 cm (1/2 po)
4. raccord flexible
5. raccord-union évasé de 1,3 cm (1/2 po)
6. duse de 1,3 cm (1/2 po)
7. détendeur

Utilisez une pâte à joint pour tuyaux conçue pour le gaz naturel et le gaz propane/GPL pour sceller tous les raccordements de gaz. Si des raccords flexibles sont utilisés, assurez-vous que les raccordements ne sont pas tortillés.

La conduite d'alimentation doit être munie d'un robinet d'arrêt approuvé. Ce robinet doit être situé dans la même pièce que la table de cuisson et placé de manière à être facilement accessible. Ne bloquez pas l'accès au robinet d'arrêt de l'alimentation. Le robinet sert à ouvrir ou à couper le gaz de l'appareil.

Une fois le détendeur en place, ouvrez le robinet d'arrêt de la conduite d'alimentation en gaz. Attendez quelques minutes pour que le gaz s'écoule dans la conduite.

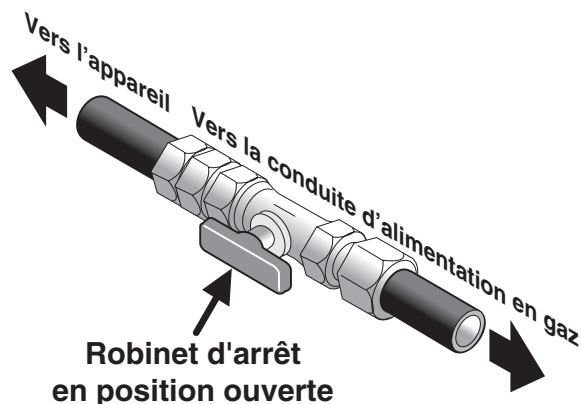


Figure 8

Vérifiez s'il y a des fuites. Après avoir connecté la table de cuisson à l'alimentation en gaz, utilisez un manomètre pour vous assurer que le système ne fuit pas. Si un manomètre n'est pas disponible, ouvrez l'alimentation en gaz et utilisez un détecteur de fuite de liquide (ou du savon et de l'eau) à tous les joints et raccordements pour rechercher des fuites.

⚠ AVERTISSEMENT N'utilisez pas de flamme pour détecter les fuites des raccordements de gaz. Rechercher les fuites avec une flamme peut provoquer un incendie ou une explosion.

Serrez tous les raccordements si nécessaire pour éviter les fuites de gaz dans la table de cuisson ou la conduite d'alimentation.

Vérifiez l'alignement des vannes à bouton de la commande après avoir connecté la table de cuisson à l'alimentation en gaz pour vous assurer que le tuyau du détendeur de la table de cuisson n'a pas bougé. Un mauvais alignement pourrait faire frotter les tiges de soupape sur le panneau de commande, créant ainsi une fuite de gaz au niveau de la soupape.

Débranchez cette table de cuisson et son robinet d'arrêt de la canalisation de gaz si la vérification de la pression de l'alimentation en gaz indique une pression qui dépasse 1/2 lb/po² (3,5 kPa ou une colonne d'eau de 35,6 cm [14 po]).

Isolez la table de cuisson de la canalisation de gaz en fermant son robinet d'arrêt manuel pendant toute vérification de pression de la canalisation de gaz à des pressions égales ou inférieures à 1/2 lb/po² (3,5 kPa ou une colonne d'eau de 35,6 cm [14 po]).

Installations électriques

120 V, 60 Hz, mis à la terre correctement protégé par un disjoncteur de 15 A ou un fusible temporisé. **N'utilisez pas de rallonge avec cette table de cuisson.**

Instructions de mise à la terre

IMPORTANT Veuillez lire attentivement.

Pour des raisons de sécurité, cet appareil doit être correctement mis à la terre.

Le cordon d'alimentation de cet appareil est muni d'une fiche à trois broches (mise à la terre) qui correspond aux prises murales à trois alvéoles (voir Figure 9) qui réduisent les risques de décharges électriques causées par cet appareil.

Demandez à un électricien qualifié de vérifier la prise murale et le circuit électrique pour vous assurer que la prise est correctement mise à la terre.

Si une prise murale standard à deux alvéoles est installée, il vous revient de demander à un électricien qualifié de la remplacer par une prise murale à trois alvéoles correctement mise à la terre.

INSTRUCTIONS D'INSTALLATION POUR TABLE DE CUISSON AU GAZ

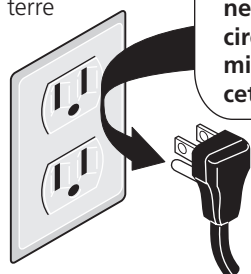
Modèles de 30 po (76,2 cm) et 36 po (91,4 cm)

Ne coupez jamais, en aucune circonstance, la troisième broche (mise à la terre) du cordon d'alimentation.

⚠ AVERTISSEMENT Débranchez le cordon d'alimentation électrique de la prise murale avant de réparer la table de cuisson.

Méthode recommandée

Prise murale avec mise à la terre



Ne coupez pas, n'enlevez pas et ne mettez pas hors circuit la broche de mise à la terre de cette fiche.

Cordon d'alimentation muni d'une fiche à trois broches avec mise à la terre

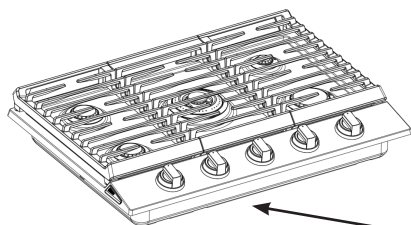
Figure 9

Emplacement du numéro de modèle et du numéro de série

La plaque signalétique est située sous la table de cuisson (voir Figure 10).

Lorsque vous commandez des pièces ou que vous désirez obtenir des renseignements à propos de votre cuisinière, assurez-vous de toujours inclure le numéro de série et le numéro de modèle ainsi que la lettre ou le numéro de lot, inscrits sur la plaque signalétique de votre table de cuisson.

La plaque signalétique donne également de l'information sur la capacité des brûleurs, le type de gaz à utiliser et la pression à laquelle la table de cuisson a été ajustée à la sortie de l'usine.



La plaque signalétique se trouve sous la boîte du brûleur.

Figure 10

Vérification du fonctionnement

Consultez le **Guide d'utilisation et d'entretien** emballé avec l'appareil pour les instructions d'utilisation et pour l'entretien et le nettoyage de votre table de cuisson.

⚠ ATTENTION Ne touchez pas les brûleurs. Ils pourraient être assez chauds pour causer des brûlures.

1. Vérifiez le positionnement du chapeau de brûleur.

Brûleur régulier

Il est très important de vérifier que tous les chapeaux et toutes les grilles des brûleurs de surface sont correctement installés et se trouvent au bon endroit avant d'utiliser l'appareil. La table de cuisson n'est pas amovible. Ne tentez pas de la retirer ou de la soulever.

⚠ AVERTISSEMENT Pour éviter les flammèches et la création de sous-produits dangereux, n'utilisez pas la surface de cuisson si les chapeaux des brûleurs ne sont pas bien installés, ceci afin d'assurer un allumage adéquat et une bonne dimension de la flamme.

Laissez toujours les chapeaux et les têtes de brûleur en place lorsque les brûleurs de surface sont utilisés. Ne laissez pas de renversements, de nourriture, de produits de nettoyage ni d'autres produits pénétrer dans l'ouverture du porte-gicleur.

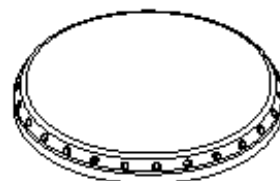
Vérifiez que chaque brûleur est doté du chapeau approprié. Vérifiez que tous les chapeaux de brûleur ronds sont bien placés sur des têtes de brûleur rondes.

Vérifiez que tous les chapeaux de brûleur ovales sont bien placés sur des têtes de brûleur ovales (le cas échéant). Vérifiez que tous les chapeaux de brûleur doubles ou jumelés sont bien placés sur des têtes de brûleur doubles ou jumelles (le cas échéant).

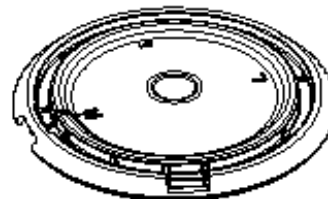
Sur les brûleurs ronds, la lèvre du chapeau du brûleur doit s'adapter au gicleur au centre de la tête de brûleur et être de niveau. Reportez-vous à la Figure 11 pour le positionnement correct et incorrect du chapeau du brûleur.

Vous pouvez vérifier l'installation en faisant doucement glisser latéralement le chapeau du brûleur (Figure 12) pour vous assurer qu'il est bien centré et bien assis. Le chapeau du brûleur NE DEVRAIT PAS sortir hors du centre de la tête du brûleur lors du déplacement latéral.

Chapeau de brûleur



Tête de brûleur



Porte-orifice

Allumeur

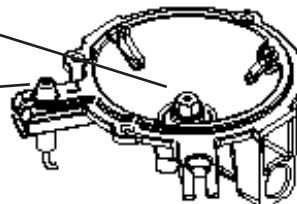


Figure 11

INSTRUCTIONS D'INSTALLATION POUR TABLE DE CUISSON AU GAZ

Modèles de 30 po (76,2 cm) et 36 po (91,4 cm)

2. Allumez l'alimentation électrique et ouvrez le robinet d'arrêt principal de gaz.

3. Vérifiez les allumeurs.

Après vous être assuré que la cuisinière et les raccords de la conduite d'alimentation ne présentent aucune fuite, branchez la cuisinière à l'alimentation en électricité et vérifiez le fonctionnement des allumeurs électriques.

- Pour vérifier l'allumage, poussez et tournez le bouton de l'un des brûleurs de surface et mettez-le à la position « LITE » (allumage). Vous entendrez alors l'allumeur produire des étincelles.
- Le brûleur de surface devrait s'allumer lorsque le gaz se rend à son niveau. Faites sortir l'air qui se trouve dans les conduites d'alimentation en laissant le bouton à la position « LITE » (allumage) jusqu'à ce que le brûleur s'allume. Chaque brûleur devrait s'allumer en l'espace de 4 secondes dans le cas d'un fonctionnement normal après avoir fait sortir l'air qu'il y avait dans les conduites d'alimentation.
- Vérifiez si le brûleur s'est allumé. Une fois que le brûleur s'est allumé, le bouton de commande devrait être retiré de la position « LITE » (allumage).
- Essayez chaque bouton de commande séparément jusqu'à ce que tous les robinets des brûleurs aient été vérifiés. Chaque brûleur est muni d'une électrode distincte.

4. Réglez les soupapes des brûleurs de surface à la position LOW (bas) (débit linéaire).

Vérifiez si le réglage faible « LOW » doit être ajusté :

- Appuyez sur le bouton de commande et tournez-le à la position « LITE » (allumage) jusqu'à ce que le brûleur s'allume.
- Appuyez sur le bouton de commande et tournez-le rapidement à la position la plus basse.
- Si le brûleur s'éteint, remettez le bouton à « OFF » (arrêt).
- Retirez le bouton de commande du brûleur de surface.
- Insérez un tournevis à lame étroite dans la tige creuse du robinet et tournez la vis à l'intérieur. La hauteur de la flamme peut être augmentée ou diminuée par le réglage de cette vis. Tournez vers la gauche pour augmenter la hauteur de la flamme. Tournez vers la droite pour la diminuer (Figure 14). Ajustez la flamme jusqu'à ce que le bouton de commande puisse être tourné rapidement de la position « LITE » (allumage) à la position la plus basse (« LOW ») sans que la flamme s'éteigne. La flamme doit être aussi petite que possible sans s'éteindre.

⚠ AVERTISSEMENT Ne retirez pas la vis centrale.

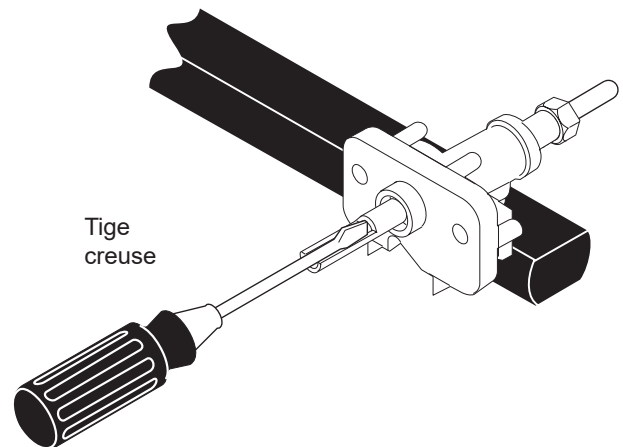


Figure 12

Après avoir terminé l'installation

Assurez-vous que toutes les commandes sont à la position « OFF » (arrêt).

Assurez-vous que le débit d'air pour la combustion et la ventilation vers la table de cuisson n'est pas obstrué.

Avant de faire appel au service après-vente

Lisez la section de vérification « Avant de faire appel au service après-vente », ainsi que les instructions d'utilisation de votre **Guide d'utilisation et d'entretien**. Cela pourrait vous faire économiser temps et argent. Cette liste décrit des situations courantes qui ne sont causées ni par un défaut de fabrication ni par un matériau défectueux.

Consultez la page de garantie de votre **Guide d'utilisation et d'entretien** pour connaître notre numéro de téléphone et notre adresse. Veuillez nous appeler ou nous écrire si vous avez des questions à propos de votre produit et/ou si vous désirez commander des pièces.