



# Single Wall Oven

FGB24S5D C

24" Gas



## Product Dimensions

Height	38-7/16"
Width	23-7/8"
Depth	25-3/8"

## More Easy-To-Use Features

### Vari-Broil™ Option

Allows you to choose between two heat levels.

### Large Window

Our large oven window lets you easily see what's inside.

### Bright Oven Lighting

Our bright lighting makes it easy to see what's inside.

### Delay Clean

### Delay Start

### Oven Lock-Out

### Timer Function

### Timed Cook Option

### Timer Lock-Out

### Auto Shut-Off

As an extra safety measure, the oven will automatically shut off after 12 hours.

## Attractive Stainless Steel Exterior

A.D.A. Compliant<sup>1</sup>

Available in:



Stainless  
(C)

<sup>1</sup>When properly installed, meets the appliance standards in the Americans with Disabilities Act and the Architectural Barriers Act Accessibility Guidelines as published by the United States Access Board on June 23, 2004, as amended August 5, 2005.

## Signature Features

### Ready-Select® Controls

Easily select options or control cooking temperature with our easy-to-use controls.

### Large Capacity

Our large capacity oven gives you room to cook more at once.

### Store-More™ Storage Drawer

Our convenient drawer gives you extra storage space in your kitchen.

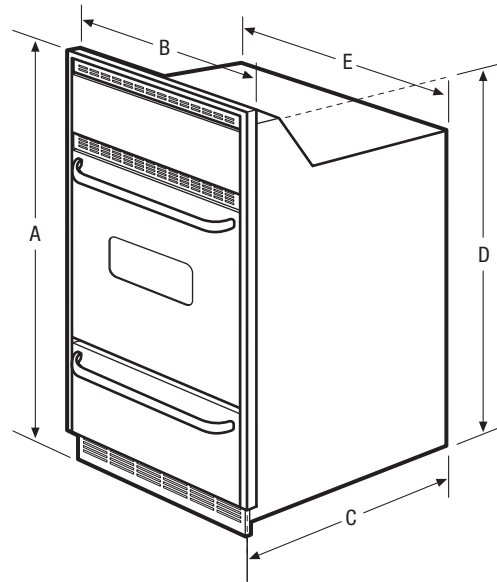
### Self-Cleaning

Ovens clean themselves — so you don't have to.

Features	
Oven Control/Timing System	Ready-Select*
Window	Large
Exterior Door Finish	Real Stainless Steel
Handle Design	Black
Oven Cleaning System	Self Clean
Drawer Functionality	Storage Drawer
Oven Controls	
Bake/Broil	Yes/Variable (Hi - Lo)
Convection Conversion	
Convection Bake/Broil/Roast	
Quick Bake Convection	
PowerPlus*/ Quick Preheat	
My Favorite	
Chicken Nugget Button	
Pizza Button	
Keep Warm	
Add-a-Minute	Yes
Delay Start	Yes
Self-Clean	Yes
Rapid/ Quick Clean Option	
Delay Clean	Yes
Kitchen Timer	2, 3 Hours
Timed Cook Option	Yes
Control Lock	Yes
Auto Oven Shut-Off	12 Hours
Oven Lock-Out	Yes
Oven Features	
Capacity (Cu.Ft.)	2.9
Convection System	
Oven Light	1
Hidden Bake Element	
Rack Configuration	2 Racks
Baking System	Regular
Broiling System	Vari-Broil™
Bake/Broil Element (BTU)	14,000/12,000
Certifications	
A.D.A. Compliant <sup>1</sup>	Yes
Sabbath Mode (Star-K® Certified)	
Specifications	
Oven Interior (H x W x D)	16" x17" x18-1/2"
Power Supply Connection Location	Right Bottom Rear
Gas Supply Connection Location	Right Bottom Rear
LP Gas Conversion Kit	Included
Voltage Rating	120V / 60Hz
Connected Load (kW Rating) @ 120 Volts <sup>2</sup>	.60
Amps @ 120 Volts	5.0
Minimum Circuit Required (Amps)	15
Approved for Under-Counter Installation	
Shipping Weight (Approx.)	200 Lbs.

<sup>1</sup>When properly installed, meets the appliance standards in the Americans with Disabilities Act and the Architectural Barriers Act Accessibility Guidelines as published by the United States Access Board on June 23, 2004, as amended August 5, 2005.

<sup>2</sup>For use on adequately wired 120V, dedicated circuit having 2-wire service with a separate ground wire. Appliance must be grounded for safe operation.



NOTE: For planning purposes only. Always consult local and national electric and gas codes. Refer to Product Installation Guide for detailed installation instructions on the web at [frigidaire.com](http://frigidaire.com).



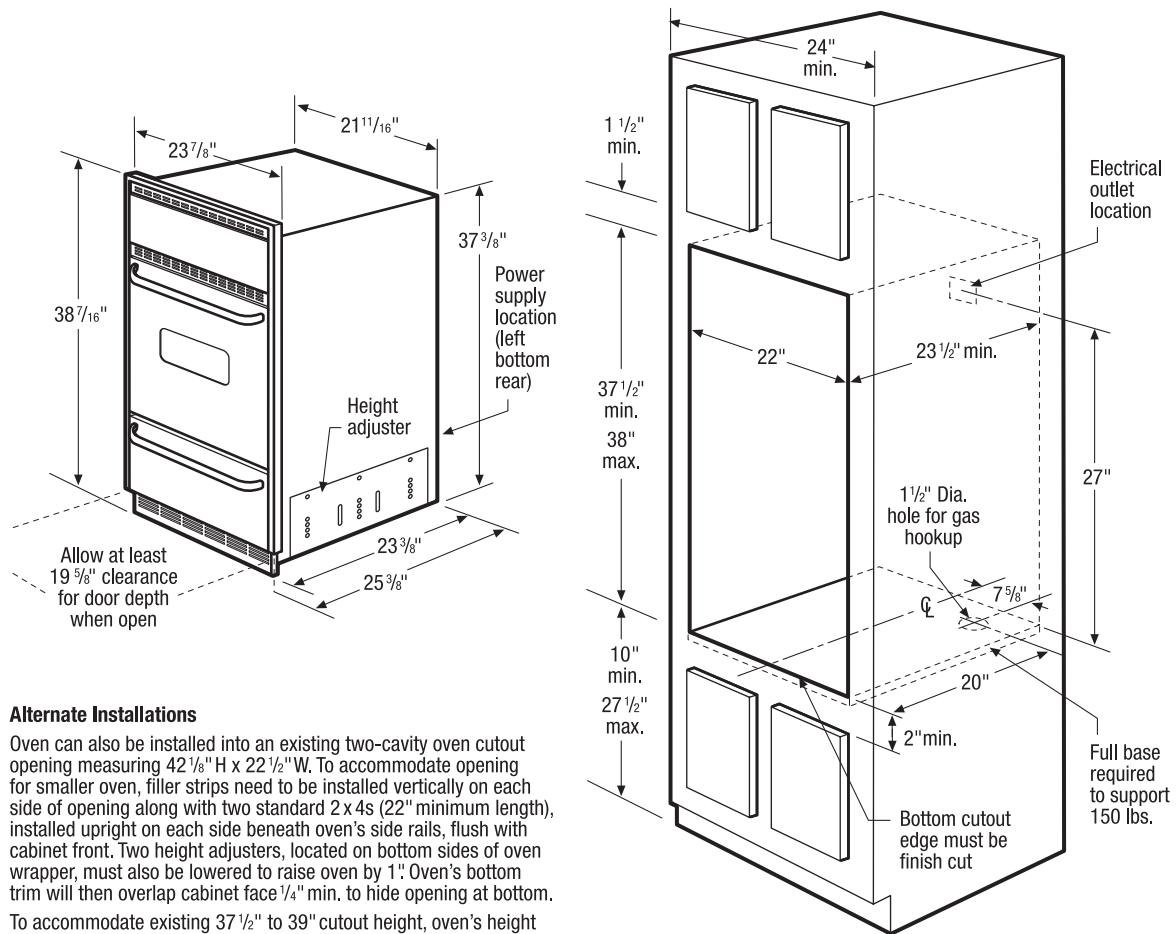
Product Dimensions	
A - Height	38-7/16"
B - Width	23-7/8"
C - Depth	25-3/8"
D - Height (Wrapper)	37-3/8"
E - Width (Wrapper)	21-11/16"
Depth with Door Open 90°	43"

Cutout Dimensions	
Height (Min.)	37-1/2"
Height (Max.)	38"
Width (Min.)	22"
Depth (Min.)	23-1/2"

Accessories information available on the web at [frigidaire.com](http://frigidaire.com)

FRIGIDAIRE

USA • 10200 David Taylor Drive • Charlotte, NC 28262 • 1-800-FRIGIDAIRE • [frigidaire.com](http://frigidaire.com)  
 CANADA • 5855 Terry Fox Way • Mississauga, ON L5V 3E4 • 1-800-265-8352 • [frigidaire.ca](http://frigidaire.ca)



#### Alternate Installations

Oven can also be installed into an existing two-cavity oven cutout opening measuring 42 1/8" H x 22 1/2" W. To accommodate opening for smaller oven, filler strips need to be installed vertically on each side of opening along with two standard 2 x 4s (22" minimum length), installed upright on each side beneath oven's side rails, flush with cabinet front. Two height adjusters, located on bottom sides of oven wrapper, must also be lowered to raise oven by 1". Oven's bottom trim will then overlap cabinet face 1/4" min. to hide opening at bottom.

To accommodate existing 37 1/2" to 39" cutout height, oven's height adjusters can be lowered to raise oven by 1" in addition to bottom trim's 1/2" overhang allowing for a 1 1/2" total height adjustment.

#### Single Wall Oven Specifications

- Product Shipping Weight (approx.) - 200 Lbs.
- Voltage Rating - 120V/60 Hz/15 Amps
- Connected Load (kW Rating) @ 120 Volts = .60kW (For use on adequately wired 120V, dedicated circuit having 2-wire service with a separate ground wire. Appliance must be grounded for safe operation.)
- Amps @ 120V = 5 Amps
- Always consult local and national electric and gas codes.
- Oven ships with 3/4" factory regulator.
- LP Gas convertible.
- Do not obstruct flow of combustion air at oven vent nor around base or beneath lower front panel of appliance. Oven requires fresh air for proper burner combustion.
- Minimum 19-3/8" clearance for oven door depth when open.
- Full oven base of solid plywood or similar material required, capable of supporting 150 Lbs.
- Base must be level and cabinet front must be square.
- Single Wall Oven is NOT approved to be used in side-by-side installation.
- Single Wall Oven is NOT approved to be used alone in under-counter installation or in combination with any Frigidaire® Warmer Drawer or Built-In Microwave Oven.

#### Alternate Installations

- Oven can also be installed into an existing two-cavity oven cutout opening measuring 42-1/8" H x 22-1/2" W. To accommodate opening for smaller oven, filler strips need to be installed vertically on each side of opening along with two standard 2 x 4s (22" minimum length), installed upright on each side beneath oven's side rails, flush with cabinet front. Two height adjusters, located on bottom sides of oven wrapper, must also be lowered to raise oven by 1". Oven's bottom trim will then overlap cabinet face 1/4" minimum to hide opening at bottom.
- To accommodate existing 37-1/2" to 39" cutout height, oven's height adjusters must be lowered to raise oven by 1" in addition to bottom trim's 1/2" overhang allowing for a 1-1/2" total height adjustment.

**Note:** For planning purposes only. Refer to Product Installation Guide on the web at [frigidaire.com](http://frigidaire.com) for detailed instructions.

#### FRIGIDAIRE

USA • 10200 David Taylor Drive • Charlotte, NC 28262 • 1-800-FRIGIDAIRE • [frigidaire.com](http://frigidaire.com)  
 CANADA • 5855 Terry Fox Way • Mississauga, ON L5V 3E4 • 1-800-265-8352 • [frigidaire.ca](http://frigidaire.ca)

FGB24S5D 10/12

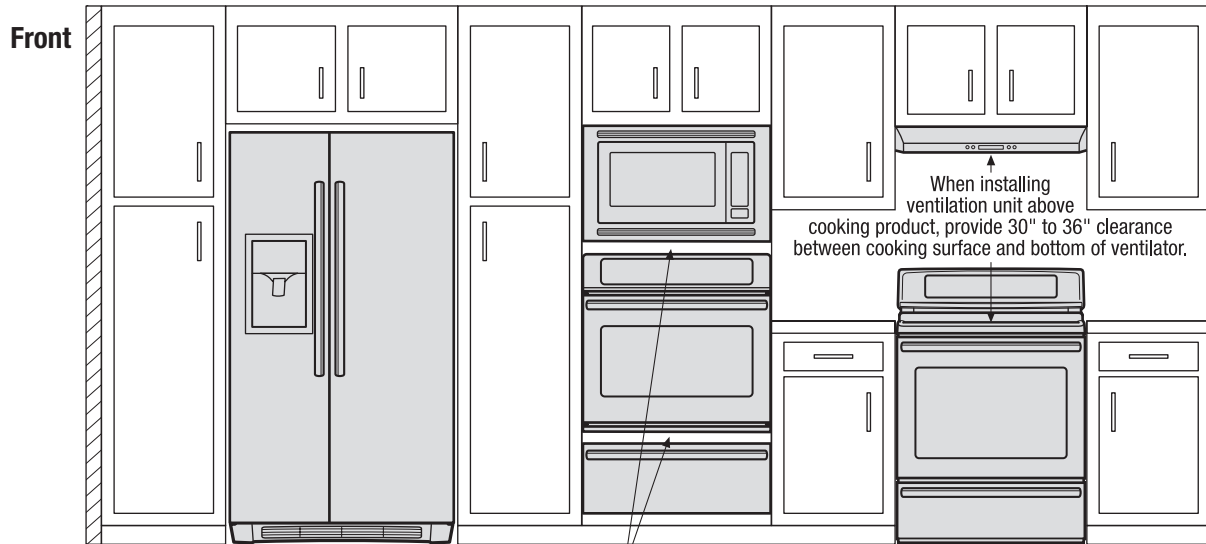
© 2012 Electrolux Home Products, Inc.

Accessories information available  
 on the web at [frigidaire.com](http://frigidaire.com)



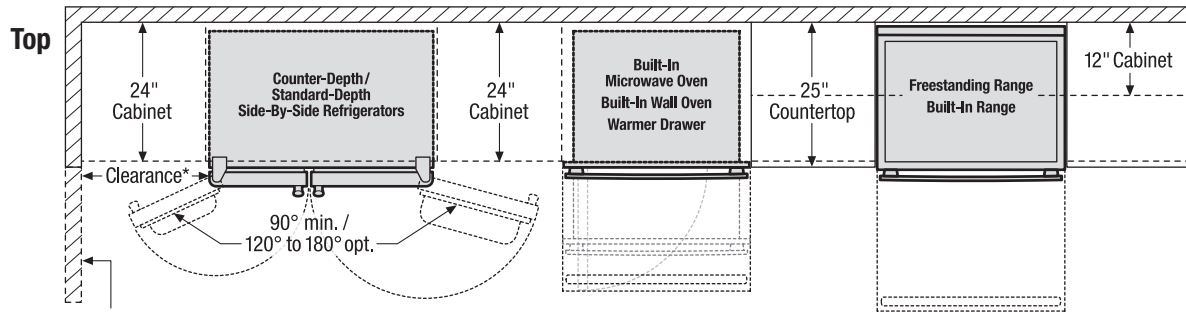
Specifications  
 subject to change.

Use these dimensions and clearance instructions for planning purposes only. For detailed installation instructions, refer to installation guide, packed with product, or on the web at frigidaire.com.



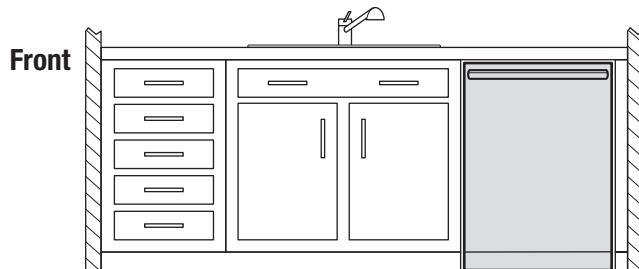
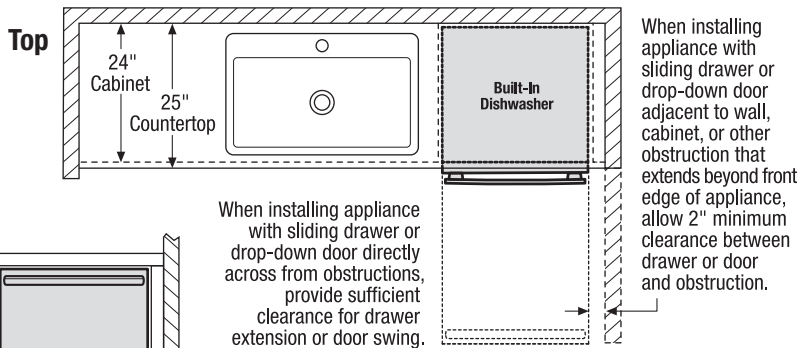
When installing built-in cooking appliances in combination, 2"-high minimum visible gap between appliance faceplates required.

When installing ventilation unit above cooking product, provide 30" to 36" clearance between cooking surface and bottom of ventilator.

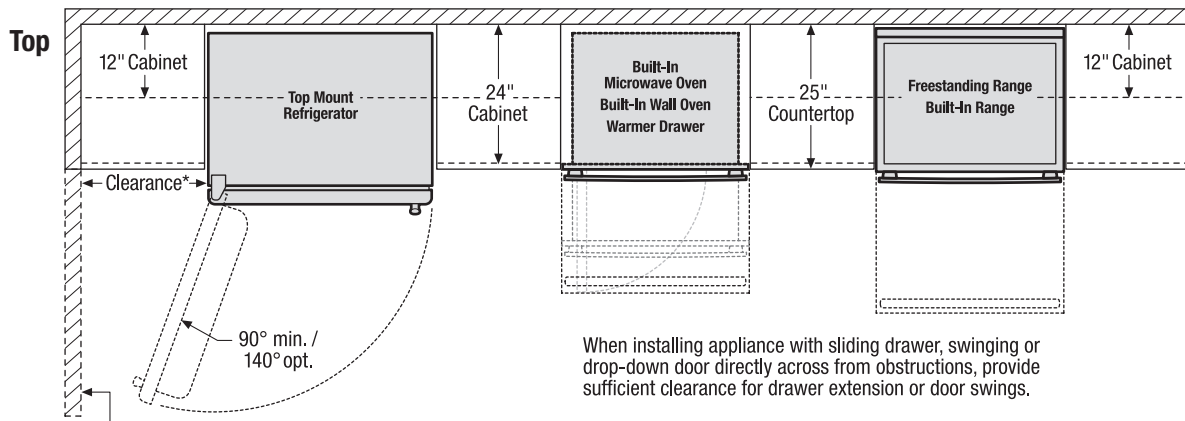
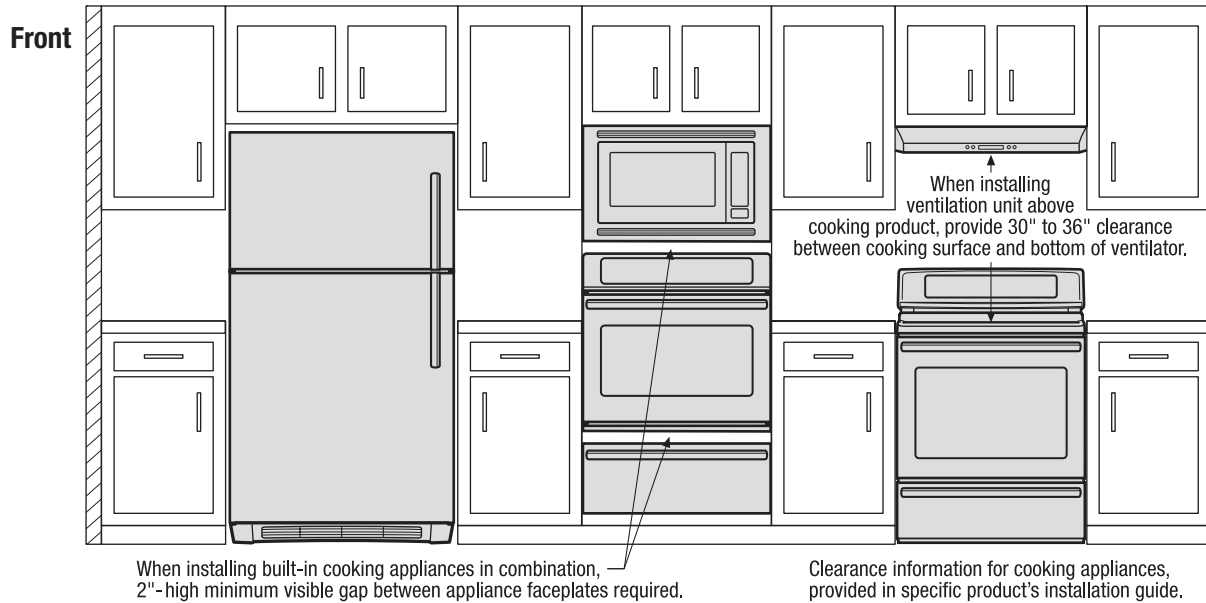


\*When installing side-by-side refrigerator adjacent to wall, cabinet or another appliance that extends beyond front edge of unit, 20" minimum clearance recommended to allow for optimum 120° to 180° door swing, providing complete drawer/crisper access and removal. (Absolute 4-1/2" minimum clearance will ONLY allow for 90° door swing which will provide limited drawer/crisper access with restricted removal.)

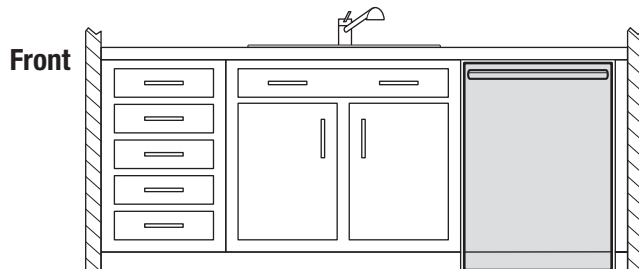
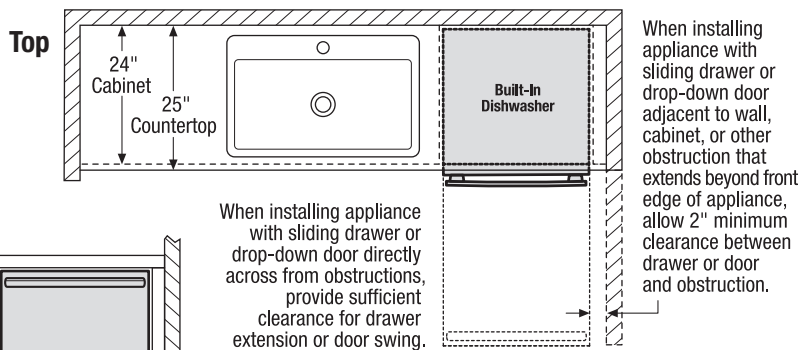
When installing appliance with sliding drawer, swinging or drop-down door directly across from obstructions, provide sufficient clearance for drawer extension or door swings.



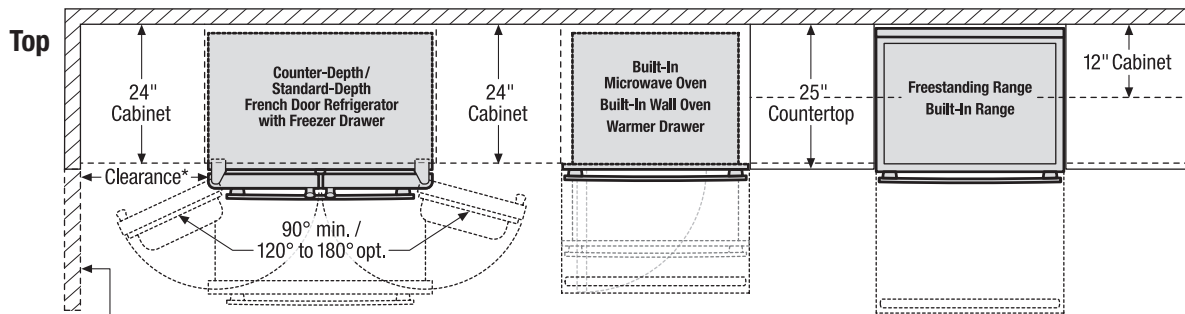
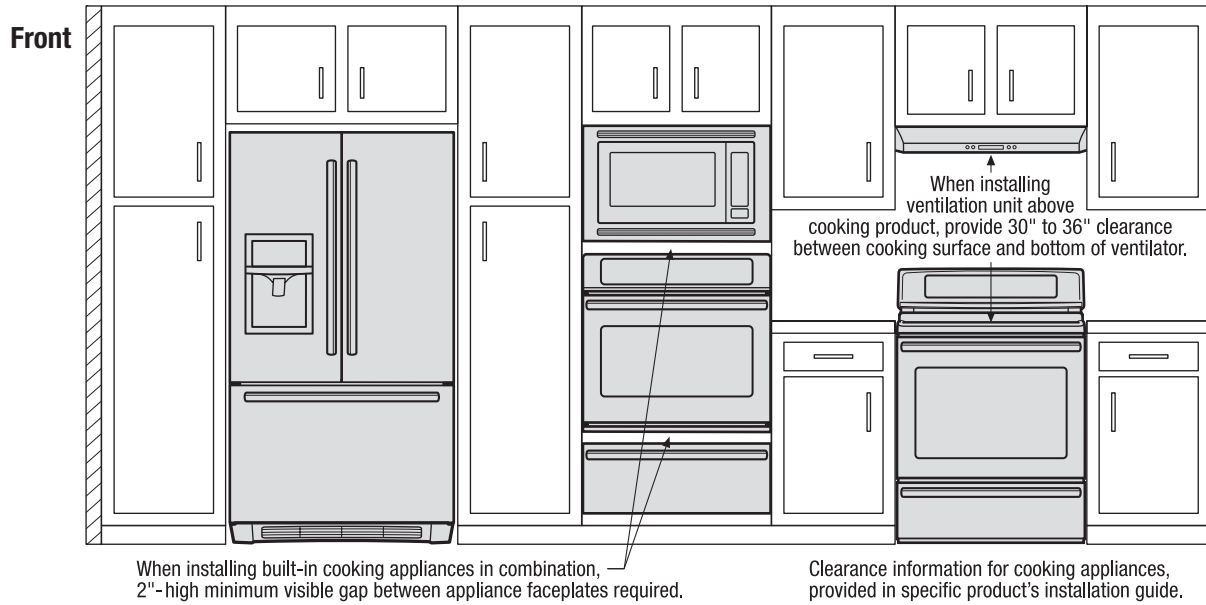
Use these dimensions and clearance instructions for planning purposes only. For detailed installation instructions, refer to installation guide, packed with product, or on the web at frigidaire.com.



\*When installing top mount refrigerator adjacent to wall, cabinet or other appliance that extends beyond front edge of unit, 20" minimum clearance recommended to allow for optimum 140° door swing, providing complete crisper access and removal. (Absolute 3" minimum clearance will ONLY allow for 90° door swing which will provide limited crisper access with restricted removal.)

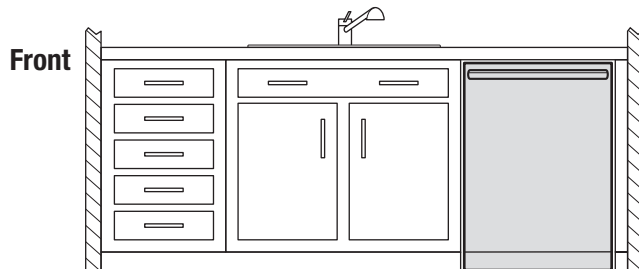
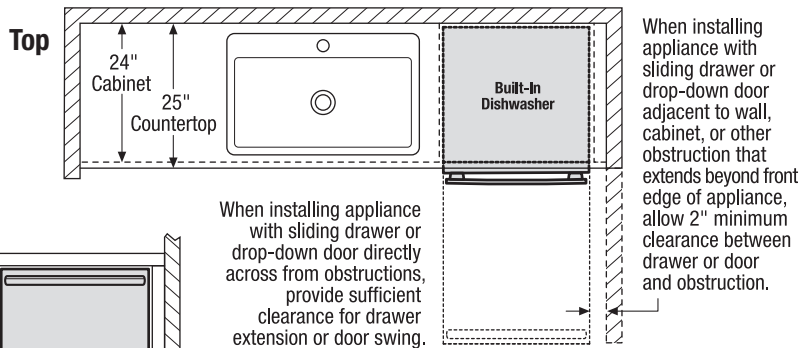


Use these dimensions and clearance instructions for planning purposes only. For detailed installation instructions, refer to installation guide, packed with product, or on the web at frigidaire.com.



\*When installing French door refrigerator adjacent to wall, cabinet or another appliance that extends beyond front edge of unit, 20" minimum clearance recommended to allow for optimum 120° to 180° door swing, providing complete drawer/crisper access and removal. (Absolute 4-1/2" minimum clearance will ONLY allow for 90° door swing which will provide limited drawer/crisper access with restricted removal.)

When installing appliance with sliding drawer, swinging or drop-down door directly across from obstructions, provide sufficient clearance for drawer extension or door swings.



When installing appliance with sliding drawer or drop-down door directly across from obstructions, provide sufficient clearance for drawer extension or door swing.