

## Dishwashers

FBD2400K S/W/B

24" Built-In



### Product Dimensions

Height (Adjustable)	33-1/2" - 35"
Width	24"
Depth (Including Door)	25"

### More Easy-To-Use Features

**Energy Saver Dry Option**  
No heat dry option.

**Low-Rinse Aid Indicator Light**

### Mechanical Controls

Available in:



Stainless  
(S)



White  
(W)



Black  
(B)

## Signature Features

### Fits up to 12 Place Settings

Cleans 12 place settings in one cycle.

### Polymer Tub

Supports the drying process, keeping dishes dry the first time.

### Built with American Pride

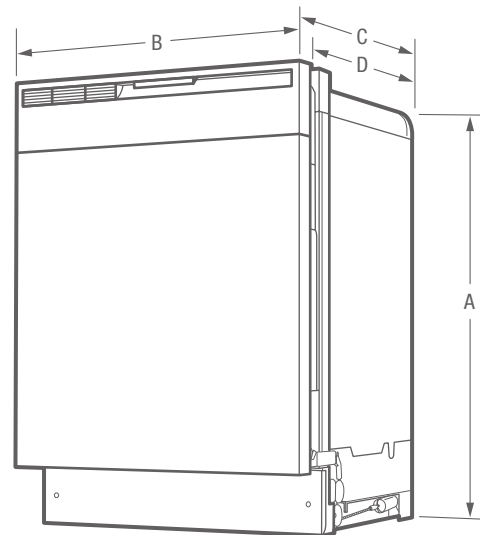
Designed, engineered and assembled in the U.S.A.

### Filtration

Removable, self-cleaning filter.

Features	
Control Design	Mechanical
Digital Display	
Door Latch	Squeeze Latch
Stay-Put Door Hinge Design	
Low Rinse-Aid Indicator Light	Yes
Interior Design	Tall Tub
Interior Color	White
Wash System	Tower Wash
Wash Levels/Wash Speeds	2/1
Sound Package	UltraQuiet™
Filter	Plastic
Filter Trap	Removable
Soft Food Disposer	Yes
dB Level	62
Drying System	Static
Cycles	
Number of Cycles	2
Heavy	Yes
Normal	Yes
Light	
Delicate	
Favorite	
China/Crystal	
Rinse Only	
Energy Saver Plus	
Upper Rack Wash Only	
Cycle Indicator Light	
Control Lock	
Options	
Heat/No Heat Dry	Yes
Hi-Temp Wash	
NSF® Certified Sanitize Rinse	
Delay Start	
Rack System	
Rack Design/Rack Coating	Standard/PVC
Upper Rack -	
Stemware/Champagne Glass Holders	
Fold-Down Tines	
Cup Shelves	
Lower Rack -	
SpaceWise® Silverware Basket	Standard
Fold-Down Tines	
Small Items Cover	
Specifications	
Water Inlet Location	Left Bottom Front
Water Usage (Gallons)	7.2
Water Pressure (PSI)	20 - 120
Integral Air Gap on Supply	Yes
Leveling Legs	4
Power Supply Connection Location	Right Bottom Front
Voltage Rating	120V / 60 Hz / 15A
Connected Load (kW Rating) @ 120 Volts¹	1.44
Amps @ 120 Volts	10
Shipping Weight (Approx.)	83 Lbs.

¹For use on adequately wired 120V, dedicated circuit having 2-wire service with a separate ground wire. Appliance must be grounded for safe operation.



NOTE: For planning purposes only. Always consult local and national electric and plumbing codes. Refer to Product Installation Guide for detailed installation instructions on the web at [frigidaire.com](http://frigidaire.com).

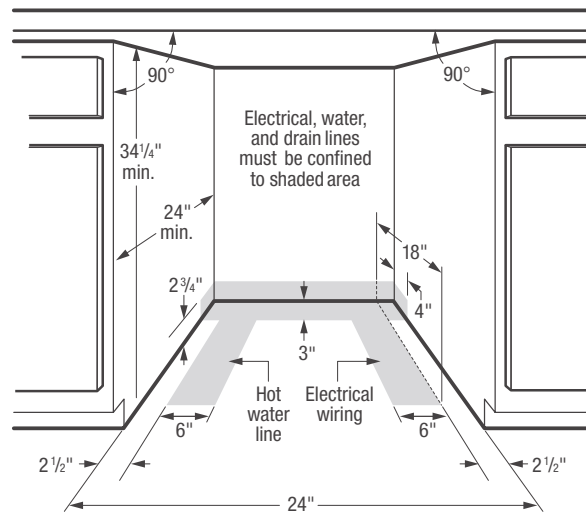
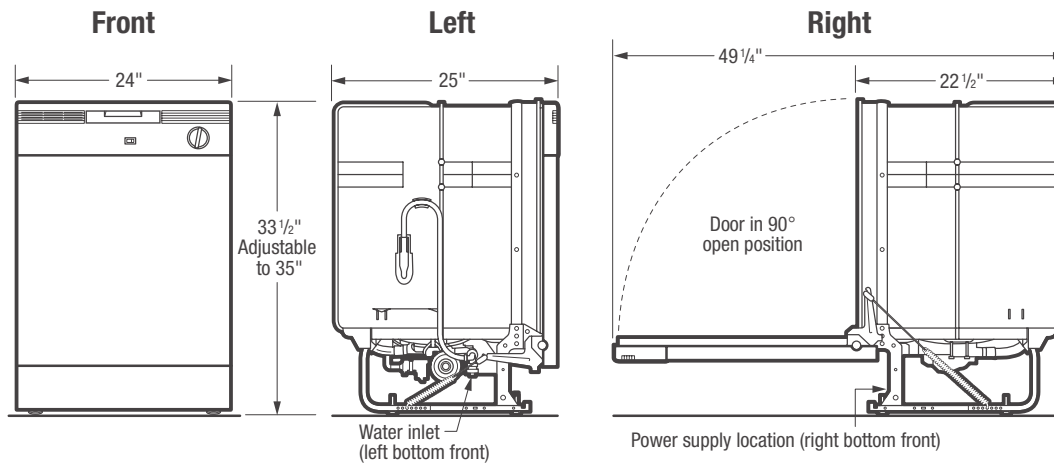


Meets requirements of ASSE 1006

Product Dimensions	
A - Height (Adjustable)	33-1/2" - 35"
B - Width	24"
C - Depth (Including Door)	25"
D - Depth (To Tub Flange)	22-1/2"
Depth with Door Open 90°	49-1/4"

Cutout Dimensions	
Height (Min.)	34-1/4"
Height (Max.)	35"
Width (Min.)	24"
Depth (Min.)	24"

Accessories information available on the web at [frigidaire.com](http://frigidaire.com)



**Dishwasher Specifications**

- Product Shipping Weight (approx.) - 83 Lbs.
- Voltage Rating - 120V / 60 Hz / 15 Amps (*maximum 20 Amps if connected with disposer*)
- Connected Load (kW Rating) @ 120 Volts = 1.44 kW (For use on adequately wired 120V, dedicated circuit having 2-wire service with a separate ground wire. Appliance must be grounded for safe operation.)
- Amps @ 120V = 10 Amps
- Always consult local and national electric & plumbing codes. Meets requirements of ASSE 1006 – integral air gap on supply.
- Water Pressure - Hot water line to dishwasher must provide between 20 and 120 pounds per square inch (psi).
- Make sure location has right drain, water and electrical outlets to make connections.

- Keep back free of drain, water & electrical supply.
- Electrical and water supplies should enter cabinet opening on floor, or through back or side walls, as shown in shaded areas.
- Connections preferably located toward left side of dishwasher. Do not cross drain, water or electrical lines in front of motor, blower or frame.
- When installing adjacent to wall, cabinet or other obstruction that extends beyond front edge of unit, allow 2" minimum clearance between opened door and obstruction.
- When installing at end of cabinet line, sides must be fully enclosed.
- Do not install unit under a cooktop, damage will occur.

**Note:** For planning purposes only. Refer to Product Installation Guide on the web at [frigidaire.com](http://frigidaire.com) for detailed instructions.