

Frigidaire

Factory Parts Catalog

Product No.	FDB1050REB4	FDB1050REC4	FDB1050REM4	FDB1050REQ4	FDB1050RES4
Series	Built-in 24"	Built-in 24"	Built-in 24"	Built-in 24"	Built-in 24"
Color	black	stainless	silver mist	bisque	white
Owner's Guide English	154659501	154659501	154659501	154659501	154659501
Owner's Guide Spanish	154659503	154659503	154659503	154659503	154659503
Owner's Guide French	154659502	154659502	154659502	154659502	154659502
Service Data Sheet	154547901	154547901	154547901	154547901	154547901
Energy Guide	154678516	154678516	154678516	154678516	154678516
Installation Instructions	154427301	154427301	154427301	154427301	154427301
Market	North America	North America	North America	North America	North America

 **Electrolux**

Electrolux Major Appliances
North & Latin America
P.O. BOX 212378
AUGUSTA, GA 30917

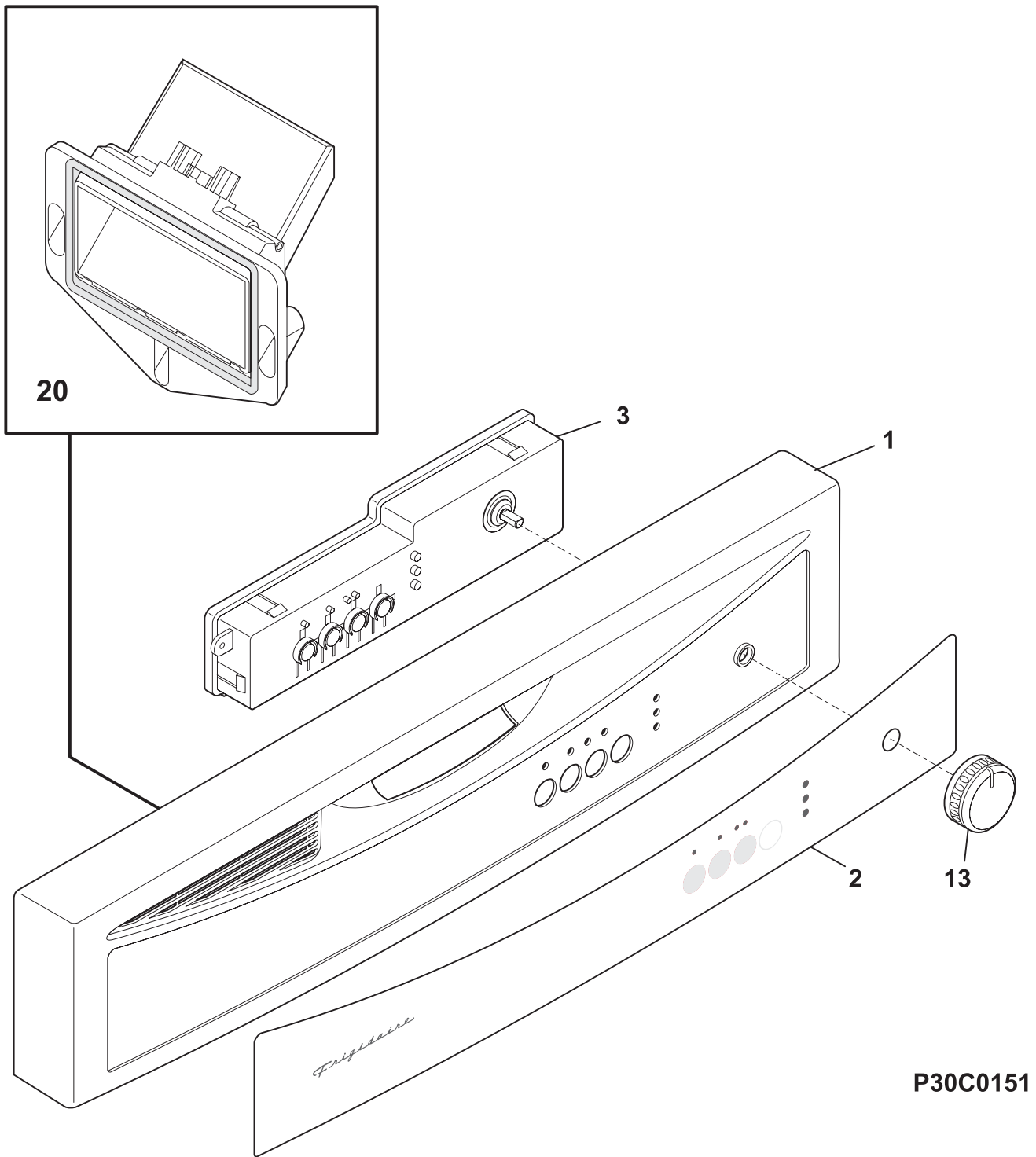
Publication No.
5995518759
08/07/15
(EN/SERVICE/ECL)
821

**24-INCH BUILT-IN
DISHWASHER**

Model No.
FDB1050RE

Copyright © 2008 Electrolux Home Products, Inc.
All rights reserved.

CONTROL PANEL

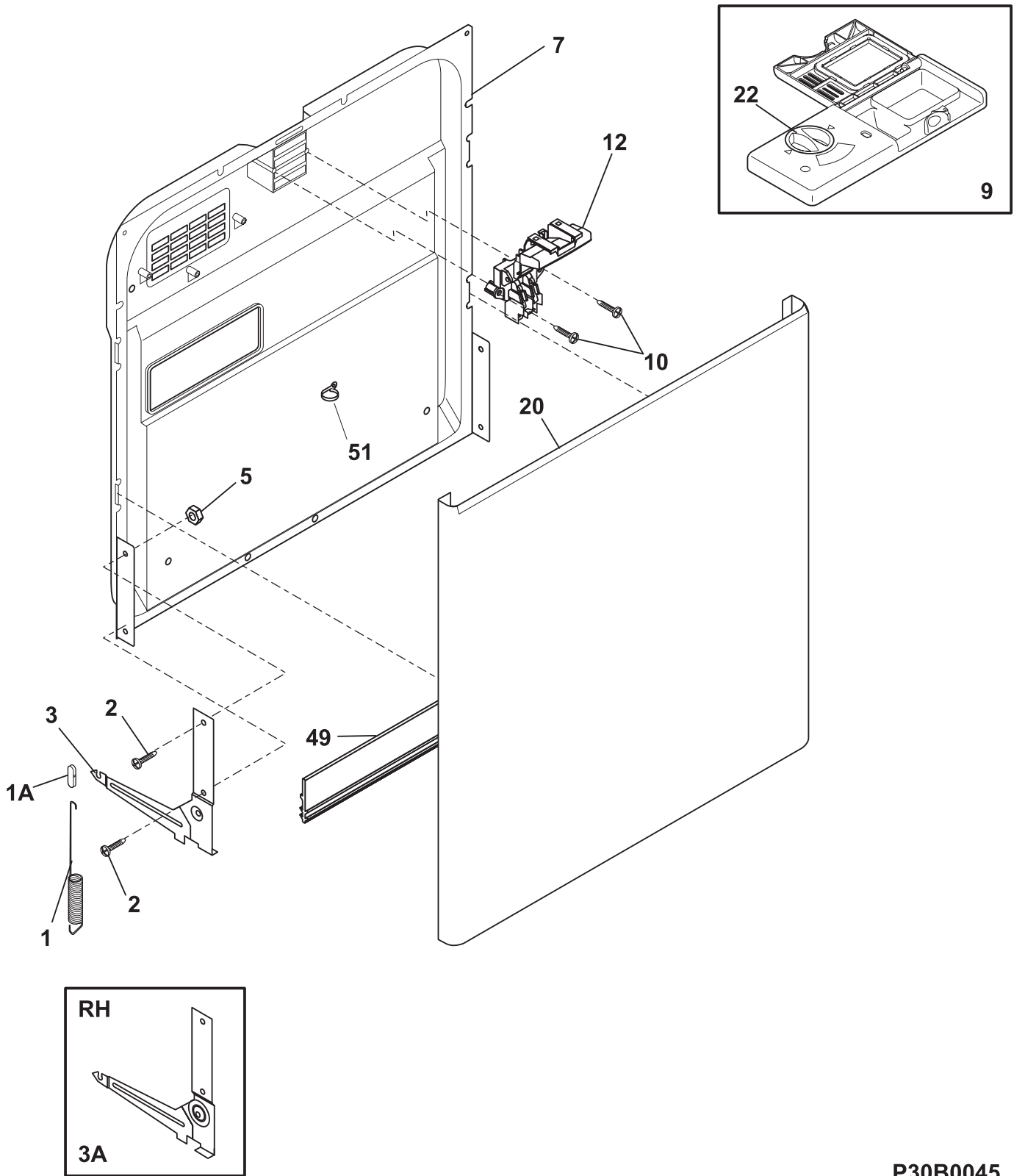


CONTROL PANEL

Model Index: A FDB1050RE (FDB1050REB4)
 B FDB1050RE (FDB1050REC4)
 C FDB1050RE (FDB1050REM4)
 D FDB1050RE (FDB1050REQ4)
 E FDB1050RE (FDB1050RES4)

POS. NO	PART NO.		DESCRIPTION
1	154644903	A B C - -	Panel, control, black
1	154644904	- - - D -	Panel, control, bisque
1	154644901	- - - - E	Panel, control, white
2	154535203	A B C - -	Insert, control panel, black, 4 button
2	154535204	- - - D -	Insert, control panel, bisque, 4 button
2	154535201	- - - - E	Insert, control panel, white, 4 button
3 #	154668901	A B C D E	Control Module, 4 button, w/selector
13	154535903	A B C - -	Knob, control, black
13	154535904	- - - D -	Knob, control, bisque
13	154535901	- - - - E	Knob, control, white
20	154433001	A B C D E	Vent assy, static dry
20*	154436201	A B C D E	Screw, dry duct, (3)
* #	154646301	A B C D E	Harness, wiring, main
*	154227501	A B C D E	Thermistor
*	154678516	A B C D E	Energy guide label
*	154294701	A B C D E	Screw, #7 plas .375, (6), disp. assy.
*	154409401	A B C D E	Screw, #8-18 x .375

DOOR



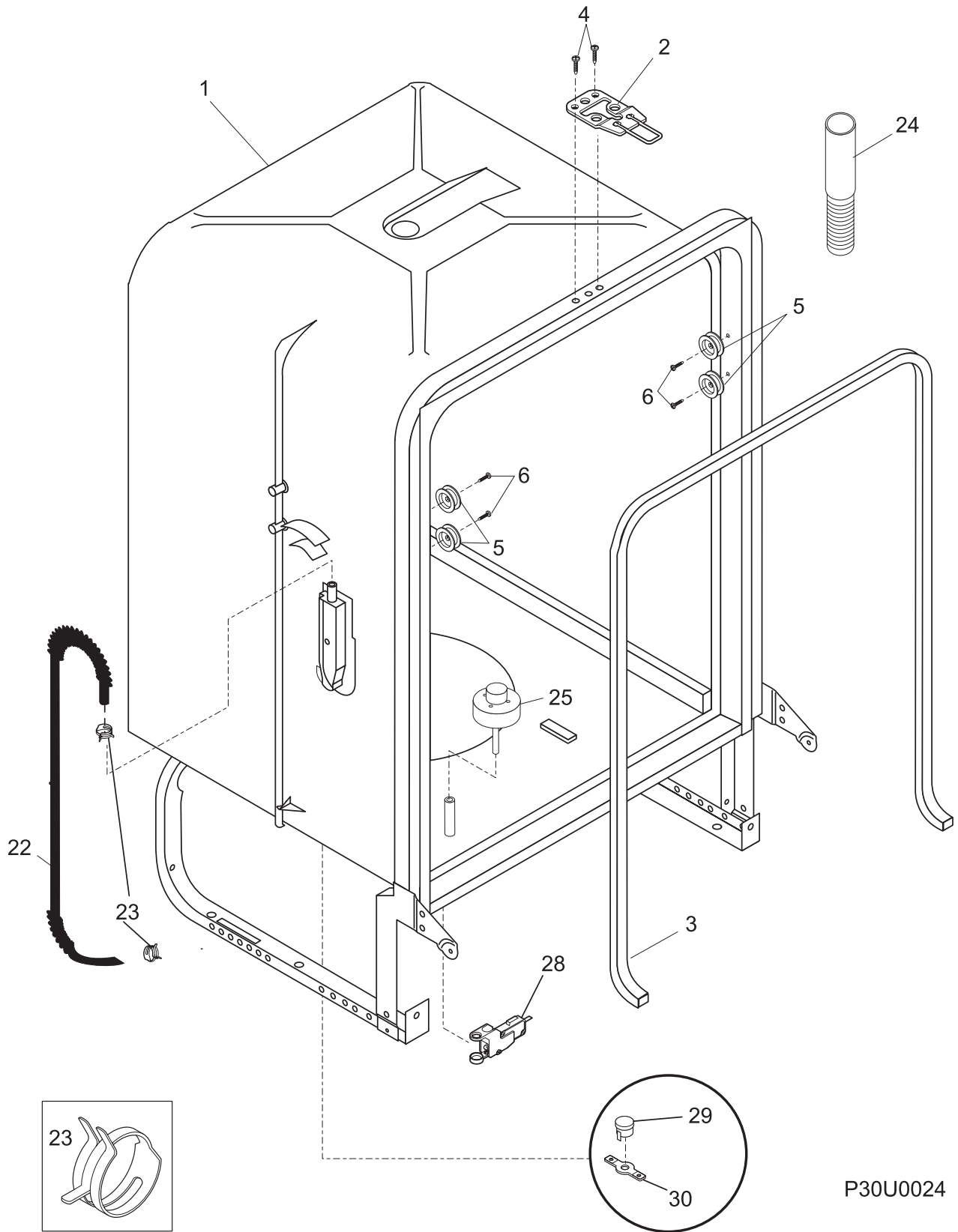
P30B0045

DOOR

Model Index: A FDB1050RE (FDB1050REB4)
 B FDB1050RE (FDB1050REC4)
 C FDB1050RE (FDB1050REM4)
 D FDB1050RE (FDB1050REQ4)
 E FDB1050RE (FDB1050RES4)

POS. NO	PART NO.	A	B	C	D	E	DESCRIPTION
1	154430501	A	B	C	D	E	Spring, door, (2)
1A	154325201	A	B	C	D	E	Linkage, door spring, (2)
2	154093301	A	B	C	D	E	Screw, arm assy, (4)
3	154691401	A	B	C	D	E	Arm Assy, LH
3A	154691301	A	B	C	D	E	Arm Assy, RH
*	154647101	A	B	C	D	E	Hinge Pin, arm assy
*	154686401	A	B	C	D	E	Bearing, hinge pin
5	154079601	A	B	C	D	E	Nut, arm assy, and handle mtg.
7	154494601	A	B	C	D	E	Liner, door assy.
9	154574401	A	B	C	D	E	Dispenser, det/rinse aid, w/o reed
9*	154294701	A	B	C	D	E	Screw, #7 plas .375, (6), disp. assy.
10	154103702	A	B	C	D	E	Screw, latch mtg, (2)
12 #	154556703	A	B	C	-	-	Latch assy, black
12 #	154556704	-	-	-	D	-	Latch assy, bisque
12 #	154556701	-	-	-	-	E	Latch assy, white
20	154538303	A	-	-	-	-	Door, black
20	154538305	-	B	-	-	-	Door, stainless
20	154538306	-	-	C	-	-	Door, silver mist
20	154538304	-	-	-	D	-	Door, bisque
20	154538301	-	-	-	-	E	Door, white
20*	5304428306	A	B	C	D	E	Screw, door mtg., (2)
22	154388801	A	B	C	D	E	Cap, Rinse aid
49	154588201	A	B	C	D	E	Gasket, door wiper
51	154320301	A	B	C	D	E	Clamp, drip loop, wire
*	154409401	A	B	C	D	E	Screw, #8-18 x .375

TUB



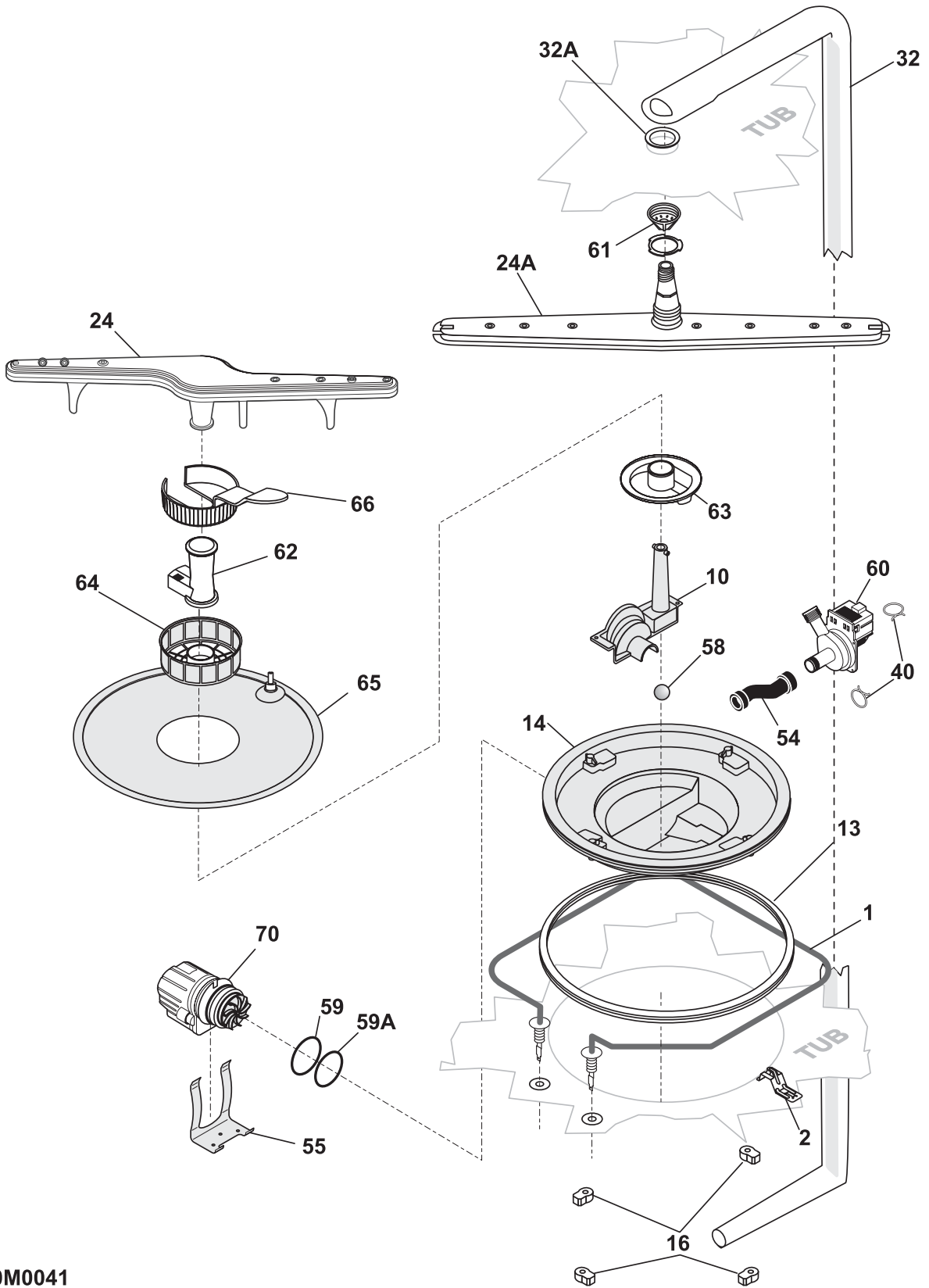
P30U0024

TUB

Model Index: A FDB1050RE (FDB1050REB4)
 B FDB1050RE (FDB1050REC4)
 C FDB1050RE (FDB1050REM4)
 D FDB1050RE (FDB1050REQ4)
 E FDB1050RE (FDB1050RES4)

POS. NO	PART NO.	A	B	C	D	E	DESCRIPTION
1 #	154729301	A	B	C	D	E	Tub assy, w/frame parts, white, PW
2	154662601	A	B	C	D	E	Strike, door
3 #	154561001	A	B	C	D	E	Gasket, tub
4	154200602	A	B	C	D	E	Screw, 10-16 x 3/8, hex
5	154333902	A	B	C	D	E	Roller, tub
6	5303943103	A	B	C	D	E	Screw, w/washer, (8)
22	154577401	A	B	C	D	E	Tubing, water inlet
23	5303318539	A	B	C	D	E	Clamp, tubing, (2)
24 #	154606701	A	B	C	D	E	Hose, drain
25 #	154209701	A	B	C	D	E	Float
28	154408701	A	B	C	D	E	Switch Assy, float
29 #	154290204	A	B	C	D	E	Thermostat, re-settable
30	154241101	A	B	C	D	E	Retainer, thermostat
30*	154297701	A	B	C	D	E	Screw, retainer-thermo
*	154641601	A	B	C	D	E	Insulation, blanket
*	154685101	A	B	C	D	E	Gasket, tub, corner, (2)
*	5300807270	A	B	C	D	E	Screw, (2), countertop mtg.
*	154041001	A	B	C	D	E	Screw, plask #1, 10-10 x 9/16
*	154200601	A	B	C	D	E	Screw, #10-16 x 3/8

MOTOR & PUMP



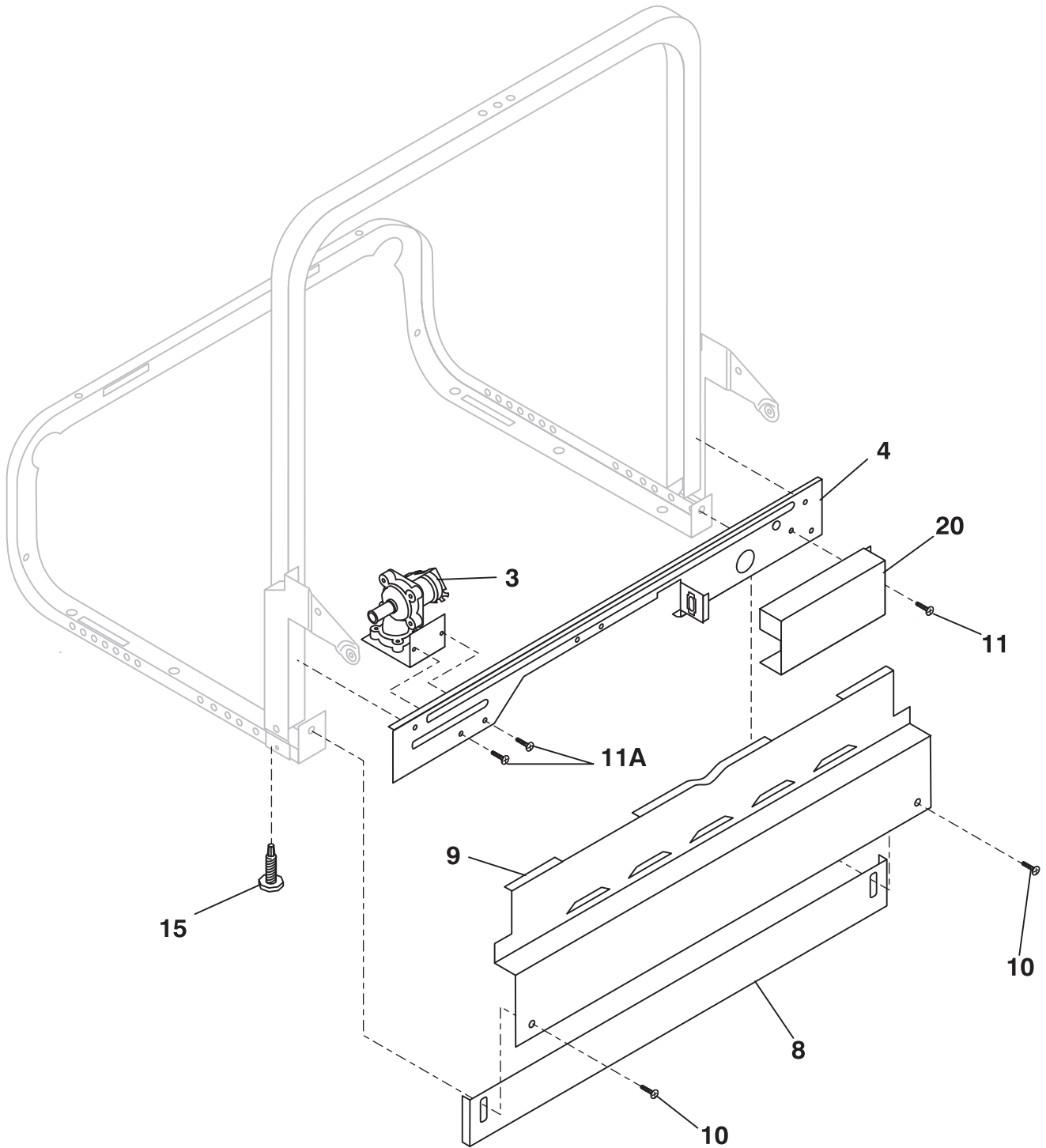
P30M0041

MOTOR & PUMP

Model Index: A FDB1050RE (FDB1050REB4)
 B FDB1050RE (FDB1050REC4)
 C FDB1050RE (FDB1050REM4)
 D FDB1050RE (FDB1050REQ4)
 E FDB1050RE (FDB1050RES4)

POS. NO	PART NO.	A	B	C	D	E	DESCRIPTION
1	154247601						Heater
1*	154106202						Nut, heater, (2)
1*	154289801						Shield, heater terminal
2	154479601						Bracket, heater, (2)
10	154245501						Cover, volute
13	154246801						Gasket, sump
14	154365902						Housing, sump
16	154246502						Retainer, sump
24	154568001						Spray arm, white, lower, w/heat shield
24A	154313601						Spray arm, center
24A*	154252001						Nut, spray arm, center
32	154406601						Tube, delivery
32A	154406401						Gasket, delivery tube
40	154348401						Clamp, hose, red, push spring, (3)
40	154348502						Clamp, red, hose
40*	154106801						Clamp, hose, 1.29" open, worm gear, (2)
40*	154380601						Clamp, hose, 1.5" open, worm gear, (5)
54	154234401						Hose, connector
55	154595901						Bracket, motor
55*	5303316032						Screw, truss ss, 8 .625, (7)
58	154246402						Check ball
59	154246901						O-ring, rear
59A	154247001						O-ring, front
60 #	154640201						Drain Pump Assy
60*	154426201						Bracket, motor, drain
60*	154581501						Screw, drain motor, (3)
61	154606801						Nozzle, 3rd level, spray arm
62	154294101						Support, spray arm, lower
63	154252201						Base, soil director
64	154252301						Filter, soil director, white
65	154252401						Filter, polypro
66	154252701						Trap, glass
70 #	154700101						Motor & Pump Assy, johnson, 2900
*	154200601						Screw, #10-16 x 3/8

FRAME



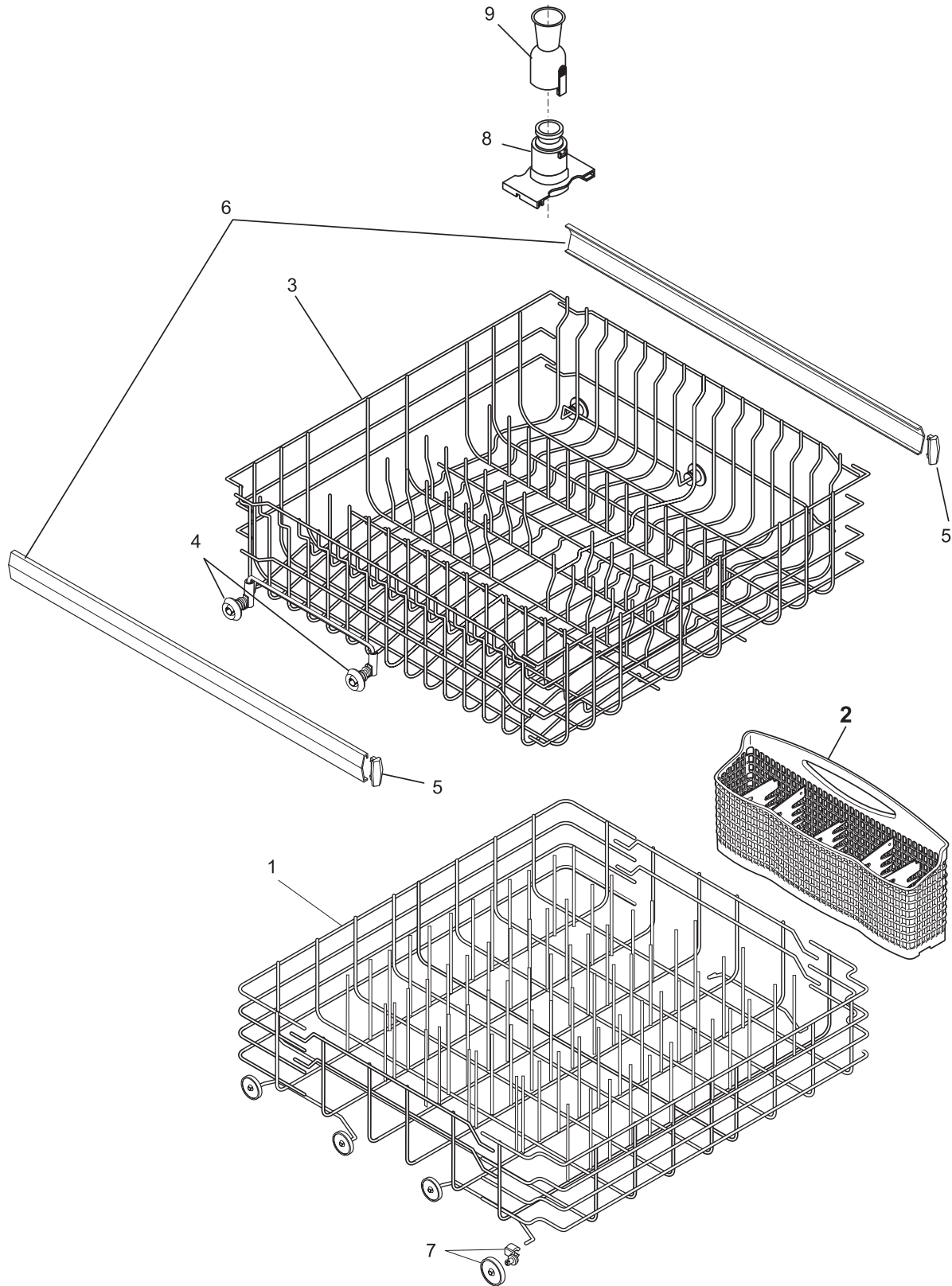
P30F0022

FRAME

Model Index: A FDB1050RE (FDB1050REB4)
 B FDB1050RE (FDB1050REC4)
 C FDB1050RE (FDB1050REM4)
 D FDB1050RE (FDB1050REQ4)
 E FDB1050RE (FDB1050RES4)

POS. NO	PART NO.						DESCRIPTION
3 #	154637401	A	B	C	D	E	Valve, water
4	154669301	A	B	C	D	E	Brace, front frame
8	154589403	A	B	C	-	-	Toeplate, adjustable, black
8	154589405	-	-	-	D	-	Toeplate, adjustable, bisque
8	154589401	-	-	-	-	E	Toeplate, adjustable, white
9	154589503	A	B	C	-	-	Kickplate Assy, black
9	154589505	-	-	-	D	-	Kickplate Assy, bisque
9	154589501	-	-	-	-	E	Kickplate Assy, white
10	5300808658	A	B	C	-	-	Screw, #8A x .375", black
10	154371303	-	-	-	D	-	Screw, Phillips head, bisque
10	154371301	-	-	-	-	E	Screw, Phillips head, white
11	154200701	A	B	C	D	E	Screw, #10-32 x 3/8
11A	154200601	A	B	C	D	E	Screw, #10-16 x 3/8
15	154571101	A	B	C	D	E	Leg, leveling, (4)
20	154597001	A	B	C	D	E	Cover, junction box
*	154041001	A	B	C	D	E	Screw, plask #1, 10-10 x 9/16
*	154200602	A	B	C	D	E	Screw, 10-16 x 3/8, hex
*	154409401	A	B	C	D	E	Screw, #8-18 x .375

RACKS



P30R0100

RACKS

Model Index: A FDB1050RE (FDB1050REB4)
 B FDB1050RE (FDB1050REC4)
 C FDB1050RE (FDB1050REM4)
 D FDB1050RE (FDB1050REQ4)
 E FDB1050RE (FDB1050RES4)

POS. NO	PART NO.	A	B	C	D	E	DESCRIPTION
1	154319706						Rack assy, lower
2	154556101						Basket, silverware, white
3	154319506						Rack assy, upper
4	154522901						Wheel & bushing assy, upper rack, (8)
5	5300809927						Cap, slide, (4)
6	154597801						Slide, rack, upper, (2)
7	154174502						Wheel & bracket assy, lower rack
8	154304001						Base, funnel
9	154251801						Funnel
15	154254001						Handle, basket, silverware