



## Dishwashers

FDB2410HI C/S/B

24" Built-In



### Product Dimensions

Height (Adjustable)	32-1/2" - 34-7/8"
Width	24"
Depth (Including Door)	23"

### More Easy-To-Use Features

#### Multiple Cycle Options

Features easy-to-use cleaning cycle options.

#### Delay Start

Set your dishwasher to run on your schedule.

#### Ready-Select® Controls

Easily select options with the touch of a button.

#### Energy Saver Plus Cycle

Eco-friendly cycle uses less energy without compromising cleaning performance.

#### Energy Saver Dry Option

No heat dry option.

#### Attractive Stainless Steel Exterior<sup>1</sup>

#### Low Rinse-Aid Indicator Light

#### Control Lock Option

#### 5-Level Wash Design

#### UltraQuiet™ 3 Sound Reduction System

## Signature Features

### Stainless Steel Interior

Premium stainless steel interior for maximum durability.

### Tall-Tub Design

Our large capacity, tall-tub dishwasher fits up to 12 place settings so you can wash more at once.

### Quiet Dishwasher

A quiet performance every time.

### SpaceWise® Silverware Basket

There's a place for all of your silverware in our multicompart, removable basket.

ENERGY STAR®  
A.D.A. Compliant<sup>2</sup>



Available in:



Stainless  
(C)



White  
(S)



Black  
(B)

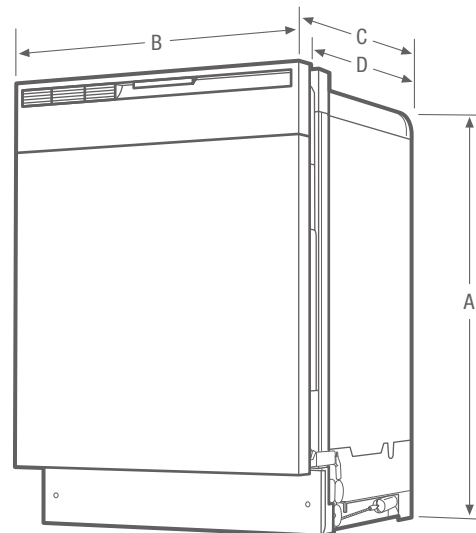
<sup>1</sup>Select model only.

<sup>2</sup>When properly installed, this model is A.D.A.-qualified based on the United States Access Board's A.D.A./A.B.A. Accessibility Guidelines and the Department of Justice's 2010 A.D.A. Standards for Accessible Design.

Features	
Control Design	Ready-Select®
Digital Display	Yes
Door Latch	Yes
Stay-Put Door Hinge Design	Yes
Low Rinse-Aid Indicator Light	Yes
Interior Design	Tall Tub
Interior Color	Stainless Steel
Wash System	Direct
Wash Levels/Wash Speeds	5/1
Sound Package	UltraQuiet™ 3
Filter	Stainless Steel
Filter Trap	Removable
Soft Food Disposer	Yes
dB Level	56
Drying System	Static
Cycles	
Number of Cycles	5
Heavy	Yes
Normal	Yes
Light	
Delicate	
Favorite	
China/Crystal	Yes
Rinse Only	Yes
Energy Saver Plus	Yes
Upper Rack Wash Only	
Cycle Indicator Light	
Control Lock	Yes
Options	
Heat/No Heat Dry	Yes
Hi-Temp Wash	Yes
NSF® Certified Sanitize Rinse	
Delay Start	1-24 Hour
Rack System	
Rack Design/Rack Coating	Deluxe/Nylon TuffRacks™
Upper Rack -	
Stemware/Champagne Glass Holders	Yes
Fold-Down Tines	Yes
Cup Shelves	2
Lower Rack -	
SpaceWise® Silverware Basket	3-Piece Split
Fold-Down Tines	
Small Items Cover	3
Certifications	
ENERGY STAR®	Yes
A.D.A. Compliant <sup>1</sup>	Yes
Specifications	
Water Inlet Location	Left Bottom Front
Water Usage (Gallons)	5.4
Water Pressure (PSI)	20 - 120
Integral Air Gap on Supply	Yes
Leveling Legs	4
Power Supply Connection Location	Right Bottom Front
Voltage Rating	120V / 60 Hz / 15A
Connected Load (kW Rating) @ 120 Volts <sup>2</sup>	1.44
Amps @ 120 Volts	10
Shipping Weight (Approx.)	69 Lbs.

<sup>1</sup>When properly installed, this model is A.D.A.-qualified based on the United States Access Board's A.D.A./A.B.A. Accessibility Guidelines and the Department of Justice's 2010 A.D.A. Standards for Accessible Design.

<sup>2</sup>For use on adequately wired 120V, dedicated circuit having 2-wire service with a separate ground wire. Appliance must be grounded for safe operation.

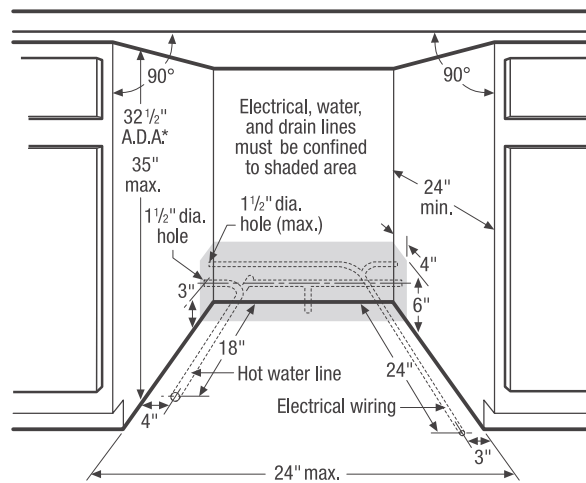
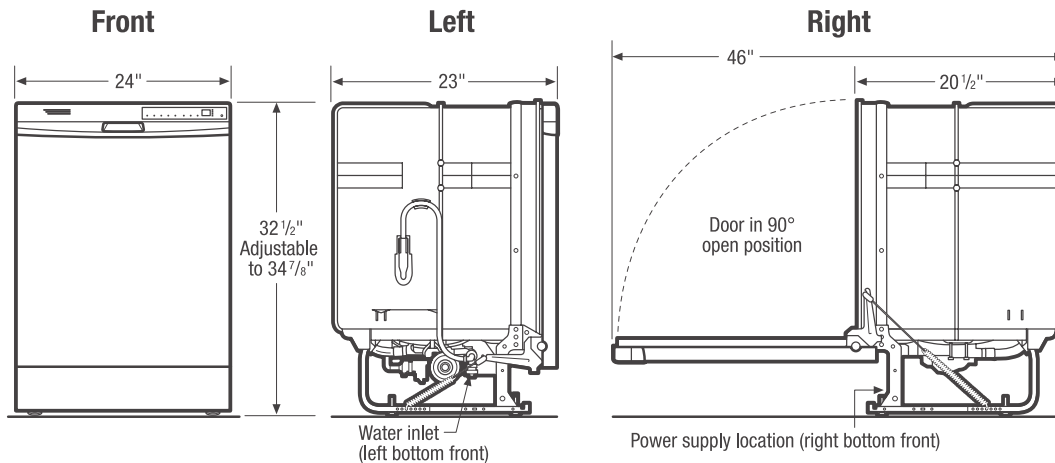


Meets requirements of ASSE 1006

**NOTE:** For planning purposes only. Always consult local and national electric and plumbing codes. Refer to Product Installation Guide for detailed installation instructions on the web at [frigidaire.com](http://frigidaire.com).

Product Dimensions		Cutout Dimensions	
A - Height (Adjustable)	32-1/2" - 34-7/8"	Height (Min.)	32-1/2" (A.D.A.!)
B - Width	24"	Height (Max.)	35"
C - Depth (Including Door)	23"	Width (Max.)	24"
D - Depth (To Tub Flange)	20-1/2"	Depth (Min.)	24"
Depth with Door Open 90°	46"		

Accessories information available on the web at [frigidaire.com](http://frigidaire.com)



\*A.D.A. installation, (32 1/2") beneath 34"- high countertop may be accomplished by adjusting toekick and leveling legs.

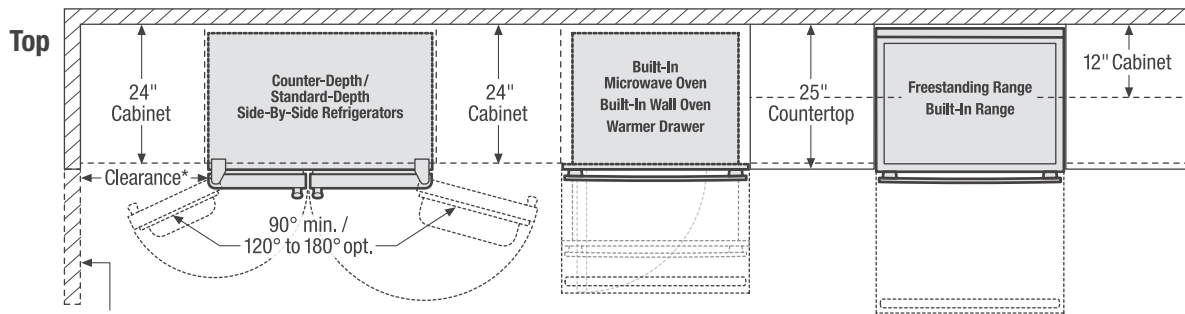
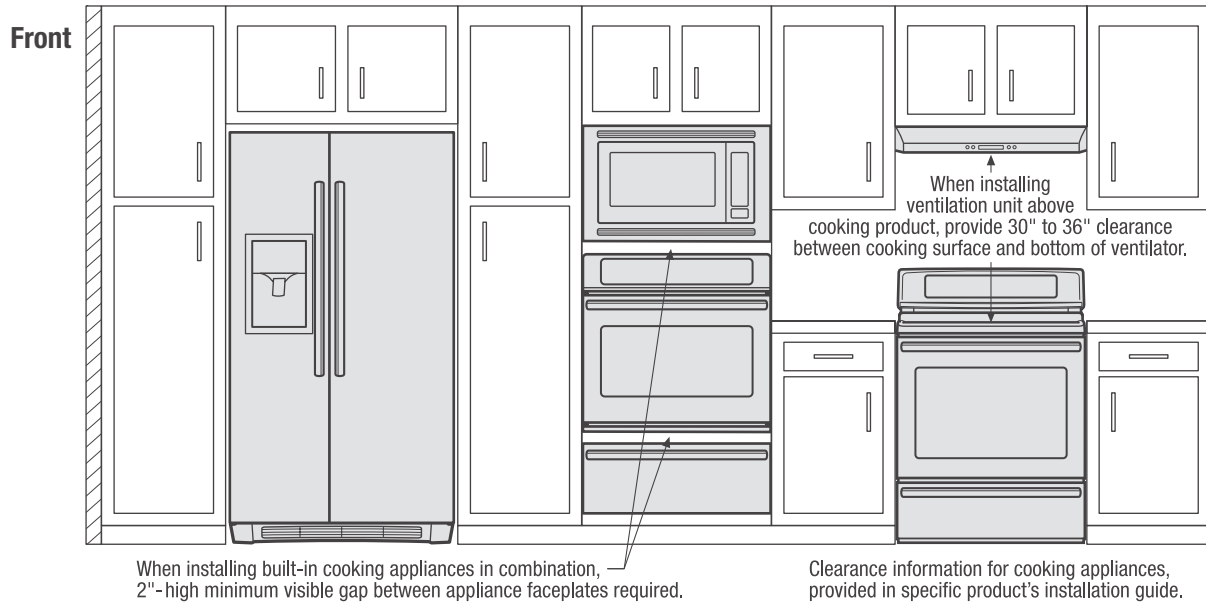
**Dishwasher Specifications**

- Product Shipping Weight (approx.) - 69 Lbs.
- Voltage Rating - 120V / 60 Hz / 15 Amps (maximum 20 Amps if connected with disposer)
- Connected Load (kW Rating) @ 120 Volts = 1.44 kW (For use on adequately wired 120V, dedicated circuit having 2-wire service with a separate ground wire. Appliance must be grounded for safe operation.)
- Amps @ 120V = 10 Amps
- Always consult local and national electric & plumbing codes. Meets requirements of ASSE 1006 – integral air gap on supply.
- Dishwasher enclosure requires that adjacent cabinets be square and plumb. Unit must be fully enclosed on top, sides and back; and not support any part of enclosure.
- For A.D.A. installation, (32 1/2") beneath 34"- high countertop may be accomplished by adjusting toekick and leveling legs.
- When installing unit adjacent to wall, cabinet or other obstruction that extends beyond front edge of unit, allow 2" minimum clearance between opened door and obstruction.
- Do not install unit beneath cooktop, damage will occur.

- Make sure location has required drain, water and electrical outlets to make proper connections.
- Air gap required if drain is connected to waste tee or disposer lower than 18" above floor. If no air gap required, minimum 32"-high drain loop must be used. Total drain hose length must not exceed 10' to drain outlet.
- Electrical and water supplies should enter enclosure on floor, or through rear or cabinet side walls, as shown in designated shaded area. Hot water line may pass through same hole as electrical cable and drain hose; or through additional 1-1/2" dia. hole designated to accommodate line.
- Water connection located on left side of dishwasher. Install hot water inlet line using no less than 3/8" O.D. copper and extend forward at least 18" from rear wall with hand shut-off valve accessible beneath sink.
- Water Pressure - Hot water line to dishwasher must provide between 20 and 120 pounds per square inch (psi).

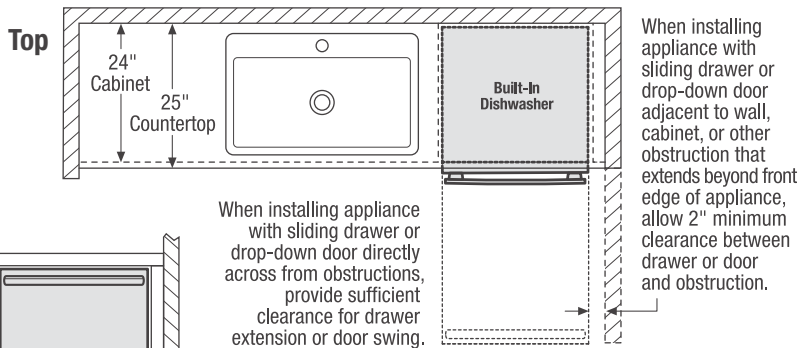
**Note:** For planning purposes only. Refer to Product Installation Guide on the web at [frigidaire.com](http://frigidaire.com) for detailed instructions.

Use these dimensions and clearance instructions for planning purposes only. For detailed installation instructions, refer to installation guide, packed with product, or on the web at [frigidaire.com](http://frigidaire.com).

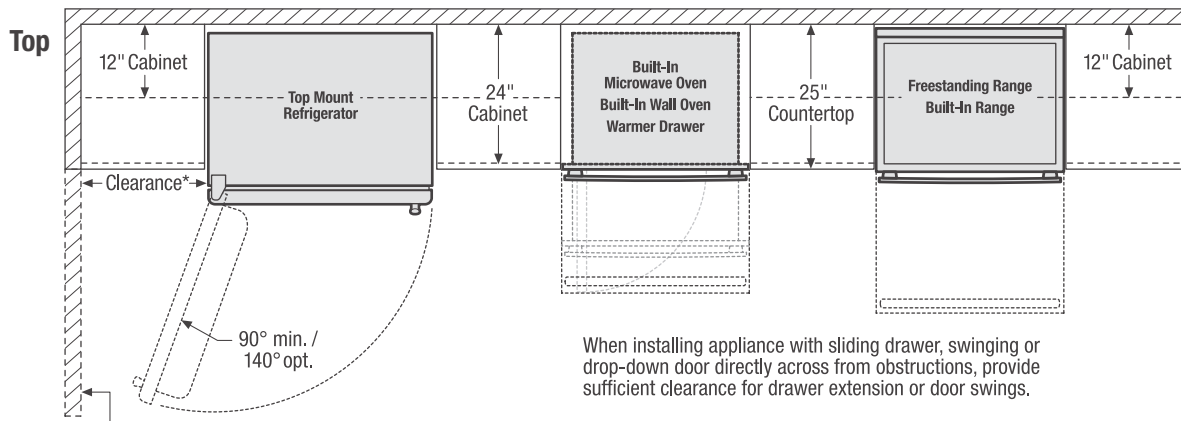
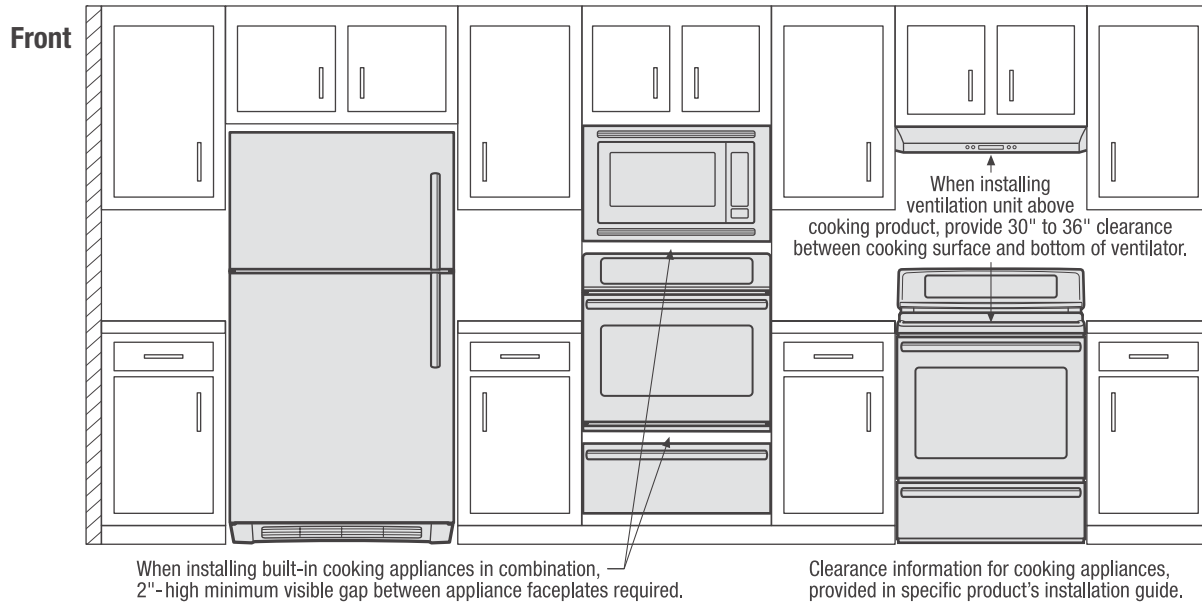


\*When installing side-by-side refrigerator adjacent to wall, cabinet or another appliance that extends beyond front edge of unit, 20" minimum clearance recommended to allow for optimum 120° to 180° door swing, providing complete drawer/crisper access and removal. (Absolute 4-1/2" minimum clearance will ONLY allow for 90° door swing which will provide limited drawer/crisper access with restricted removal.)

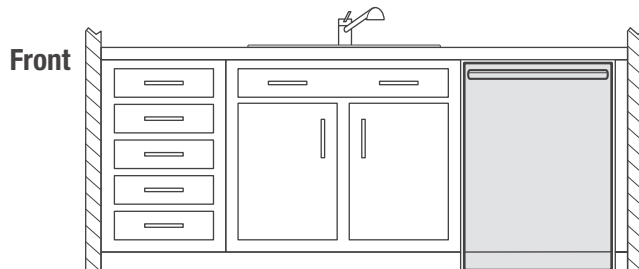
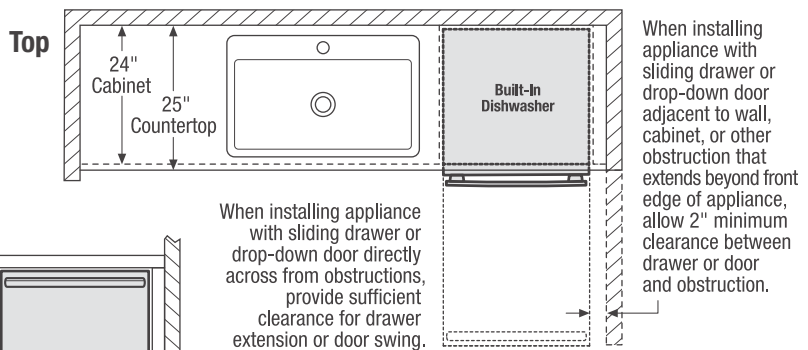
When installing appliance with sliding drawer, swinging or drop-down door directly across from obstructions, provide sufficient clearance for drawer extension or door swings.



Use these dimensions and clearance instructions for planning purposes only. For detailed installation instructions, refer to installation guide, packed with product, or on the web at [frigidaire.com](http://frigidaire.com).

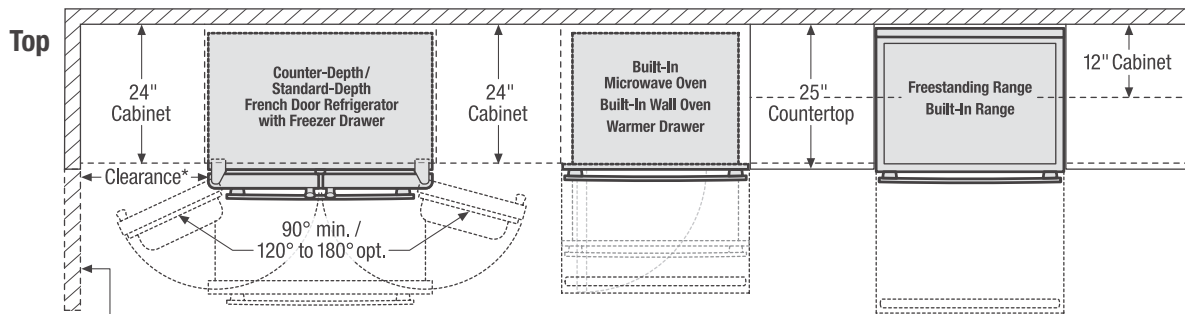
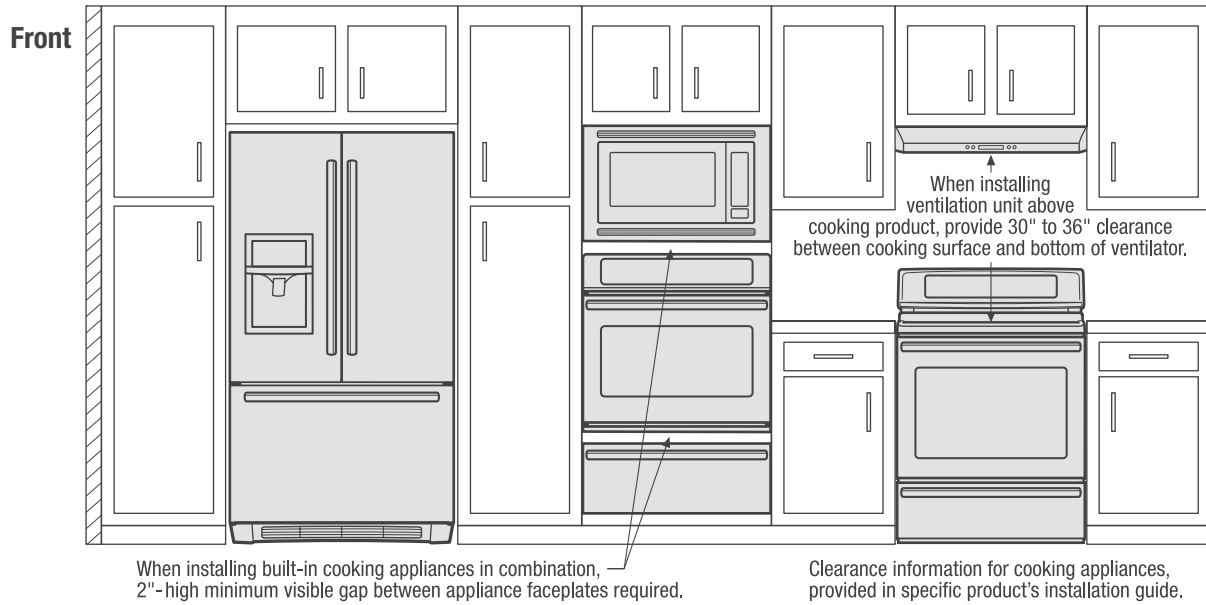


\*When installing top mount refrigerator adjacent to wall, cabinet or other appliance that extends beyond front edge of unit, 20" minimum clearance recommended to allow for optimum 140° door swing, providing complete crisper access and removal. (Absolute 3" minimum clearance will ONLY allow for 90° door swing which will provide limited crisper access with restricted removal.)



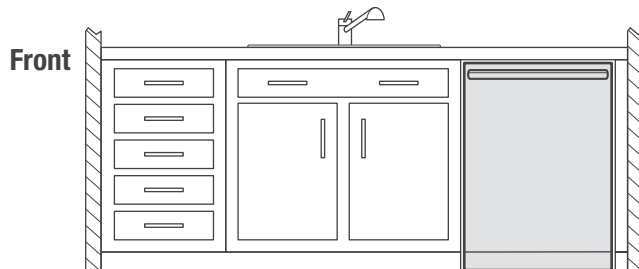
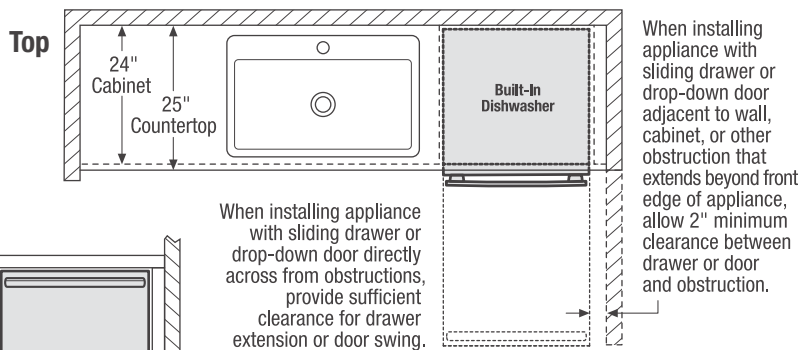
When installing appliance with sliding drawer or drop-down door directly across from obstructions, provide sufficient clearance for drawer extension or door swing.

Use these dimensions and clearance instructions for planning purposes only. For detailed installation instructions, refer to installation guide, packed with product, or on the web at frigidaire.com.



\*When installing French door refrigerator adjacent to wall, cabinet or another appliance that extends beyond front edge of unit, 20" minimum clearance recommended to allow for optimum 120° to 180° door swing, providing complete drawer/crisper access and removal. (Absolute 4-1/2" minimum clearance will ONLY allow for 90° door swing which will provide limited drawer/crisper access with restricted removal.)

When installing appliance with sliding drawer, swinging or drop-down door directly across from obstructions, provide sufficient clearance for drawer extension or door swings.



Use these dimensions and clearance instructions for planning purposes only. For detailed installation instructions, refer to installation guide, packed with product, or on the web at frigidaire.com.

