



Dishwashers

FFBD2405K S/W/B

24" Built-In



Product Dimensions

Height (Adjustable)	33-1/2" - 35"
Width	24"
Depth (Including Door)	25"

More Easy-To-Use Features

Delay Start

Set your dishwasher to run on your schedule.

Ready-Select® Controls

Easily select options with the touch of a button.

Energy Saver Dry Option

No heat dry option.

Attractive Stainless Steel Exterior¹

Low Rinse-Aid Indicator Light

Control Lock Option

5-Level Wash Design

White Interior

UltraQuiet™ I Sound Reduction System



ENERGY STAR®

Available in:



Stainless
(S)



White
(W)



Black
(B)

¹Select model only.

Signature Features

Tall-Tub Design

Our large capacity, tall-tub dishwasher fits up to 12 place settings so you can wash more at once.

Quiet Dishwasher

A quiet performance every time.

SpaceWise® Silverware Basket

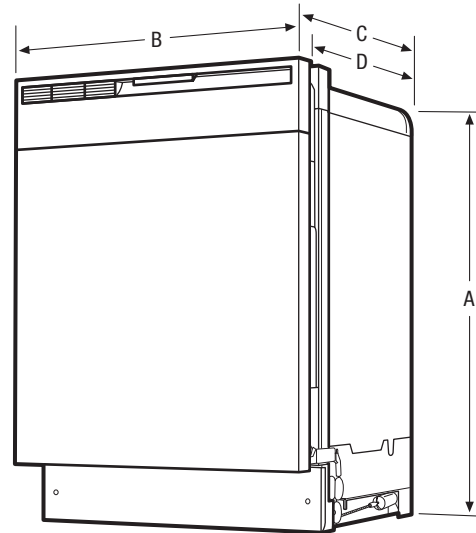
There's a place for all of your silverware in our multicompartment, removable basket.

Precision™ Wash Technology

Our dishwasher features Precision™ Wash Technology, which gives you clean dishes every time.

Features	
Control Design	Ready-Select®
Digital Display	
Door Latch	Yes
Stay-Put Door Hinge Design	
Low Rinse-Aid Indicator Light	Yes
Interior Design	Tall Tub
Interior Color	White
Wash System	Precision™ Wash
Wash Levels/Wash Speeds	5/1
Sound Package	UltraQuiet™ 1
Filter	Plastic
Filter Trap	Removable
Soft Food Disposer	Yes
dB Level	61
Drying System	Static
Cycles	
Number of Cycles	3
Heavy	Yes
Normal	Yes
Light	Yes
Delicate	
Favorite	
China/Crystal	
Rinse Only	
Energy Saver Plus	
Upper Rack Wash Only	
Cycle Indicator Light	Yes
Control Lock	Yes
Options	
Heat/No Heat Dry	Yes
Hi-Temp Wash	Yes
NSF® Certified Sanitize Rinse	
Delay Start	2-4-6 Hour
Rack System	
Rack Design/Rack Coating	Standard/PVC
Upper Rack -	
Stemware/Champagne Glass Holders	
Fold-Down Tines	
Cup Shelves	
Lower Rack -	
SpaceWise® Silverware Basket	Standard
Fold-Down Tines	
Small Items Cover	
Certifications	
ENERGY STAR®	Yes
Specifications	
Water Inlet Location	Left Bottom Front
Water Usage (Gallons)	6.0
Water Pressure (PSI)	20 - 120
Integral Air Gap on Supply	Yes
Leveling Legs	4
Power Supply Connection Location	Right Bottom Front
Voltage Rating	120V/60Hz/15A
Connected Load (kW Rating) @ 120 Volts¹	1.44
Amps @ 120 Volts	10
Shipping Weight (Approx.)	64 Lbs.

¹For use on adequately wired 120V, dedicated circuit having 2-wire service with a separate ground wire. Appliance must be grounded for safe operation.



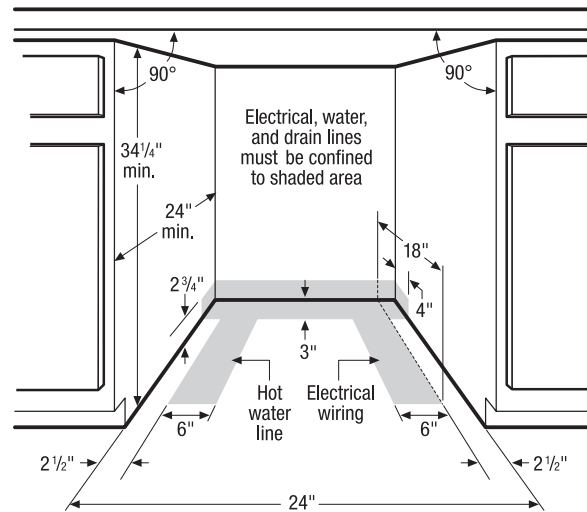
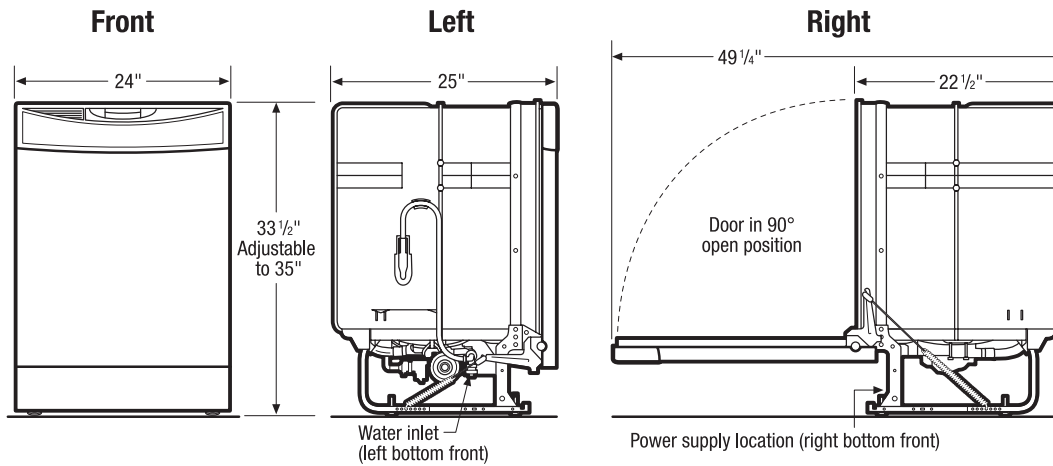
NOTE: For planning purposes only. Always consult local and national electric and plumbing codes. Refer to Product Installation Guide for detailed installation instructions on the web at frigidaire.com.



Product Dimensions	
A - Height (Adjustable)	33-1/2" - 35"
B - Width	24"
C - Depth (Including Door)	25"
D - Depth (To Tub Flange)	22-1/2"
Depth with Door Open 90°	49-1/4"

Cutout Dimensions	
Height (Min.)	34-1/4"
Height (Max.)	35-1/4"
Width (Min.)	24"
Depth (Min.)	24"

Accessories information available on the web at frigidaire.com



Dishwasher Specifications

- Product Shipping Weight (approx.) - 64 Lbs.
- Voltage Rating - 120V / 60 Hz / 15 Amps (maximum 20 Amps if connected with disposer)
- Connected Load (kW Rating) @ 120 Volts = 1.44 kW (For use on adequately wired 120V, dedicated circuit having 2-wire service with a separate ground wire. Appliance must be grounded for safe operation.)
- Amps @ 120V = 10 Amps
- Always consult local and national electric & plumbing codes. Meets requirements of ASSE 1006 – integral air gap on supply.
- Water Pressure - Hot water line to dishwasher must provide between 20 and 120 pounds per square inch (psi).
- Make sure location has right drain, water and electrical outlets to make connections.

- Keep back free of drain, water & electrical supply.
- Electrical and water supplies should enter cabinet opening on floor, or through back or side walls, as shown in shaded areas.
- Connections preferably located toward left side of dishwasher. Do not cross drain, water or electrical lines in front of motor, blower or frame.
- When installing adjacent to wall, cabinet or other obstruction that extends beyond front edge of unit, allow 2" minimum clearance between opened door and obstruction.
- When installing at end of cabinet line, sides must be fully enclosed.
- Do not install unit under a cooktop, damage will occur.

Note: For planning purposes only. Refer to Product Installation Guide on the web at frigidaire.com for detailed instructions.