



Dishwashers

FFBD2409L S/M/W/B/Q

24" Built-In



Product Dimensions

Height (Adjustable)	33-1/2" - 35"
Width	24"
Depth (Including Door)	25"

More Easy-To-Use Features

Delay Start

Set your dishwasher to run on your schedule.

Ready-Select® Controls

Easily select options with the touch of a button.

Energy Saver Plus Cycle

Eco-friendly cycle uses less energy without compromising cleaning performance.

Energy Saver Dry Option

No heat dry option.

Attractive Stainless Steel Exterior¹

Low Rinse-Aid Indicator Light

Control Lock Option

5-Level Wash Design

White Interior

UltraQuiet™ 3 Sound Reduction System

Signature Features

Tall-Tub Design

Our large capacity, tall-tub dishwasher fits up to 14 place settings so you can wash more at once.

Quiet Dishwasher

A quiet performance every time.

SpaceWise® Silverware Basket

There's a place for all of your silverware in our multicompart, removable basket.

Multiple Cycle Options

Features easy-to-use cleaning cycle options.

ENERGY STAR®
NSF® International
Certification



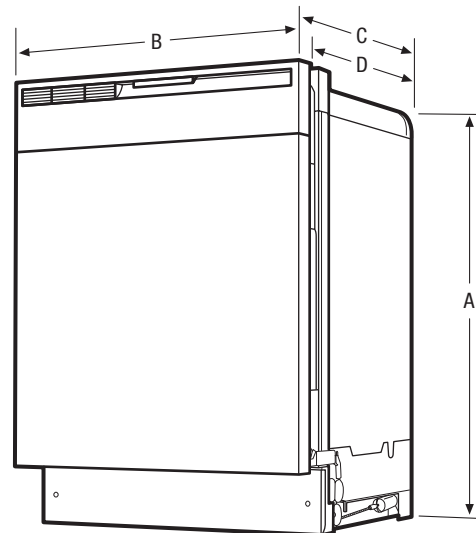
Available in:



¹Select model only.

Features	
Control Design	Ready-Select*
Digital Display	
Door Latch	Yes
Stay-Put Door Hinge Design	
Low Rinse-Aid Indicator Light	Yes
Interior Design	Tall Tub
Interior Color	White
Wash System	Direct
Wash Levels/Wash Speeds	5/1
Sound Package	UltraQuiet™ 3
Filter	Plastic
Filter Trap	Removable
Soft Food Disposer	Yes
dB Level	55
Drying System	Active Vent
Cycles	
Number of Cycles	5
Heavy	Yes
Normal	Yes
Light	Yes
Delicate	
Favorite	
China/Crystal	
Rinse Only	Yes
Energy Saver Plus	Yes
Upper Rack Wash Only	
Cycle Indicator Light	
Control Lock	Yes
Options	
Heat/No Heat Dry	Yes
Hi-Temp Wash	Yes
NSF® Certified Sanitize Rinse	Yes
Delay Start	2-4-6 Hour
Rack System	
Rack Design/Rack Coating	Deluxe/PVC
Upper Rack -	
Stemware/Champagne Glass Holders	
Fold-Down Tines	
Cup Shelves	2
Lower Rack -	
SpaceWise® Silverware Basket	Ultra 1
Fold-Down Tines	
Small Items Cover	
Certifications	
ENERGY STAR®	Yes
NSF® International Certification	Yes
Specifications	
Water Inlet Location	Left Bottom Front
Water Usage (Gallons)	6.0
Water Pressure (PSI)	20 - 120
Integral Air Gap on Supply	Yes
Leveling Legs	4
Power Supply Connection Location	Right Bottom Front
Voltage Rating	120V / 60 Hz / 15A
Connected Load (kW Rating) @ 120 Volts ¹	1.44
Amps @ 120 Volts	10
Shipping Weight (Approx.)	64 Lbs.

¹For use on adequately wired 120V, dedicated circuit having 2-wire service with a separate ground wire. Appliance must be grounded for safe operation.



NOTE: For planning purposes only. Always consult local and national electric and plumbing codes. Refer to Product Installation Guide for detailed installation instructions on the web at frigidaire.com.



Product Dimensions		Cutout Dimensions	
A - Height (Adjustable)	33-1/2" - 35"	Height (Min.)	34-1/4"
B - Width	24"	Height (Max.)	35-1/4"
C - Depth (Including Door)	25"	Width (Min.)	24"
D - Depth (To Tub Flange)	22-1/2"	Depth (Min.)	24"
Depth with Door Open 90°	49-1/4"		

Accessories information available on the web at frigidaire.com

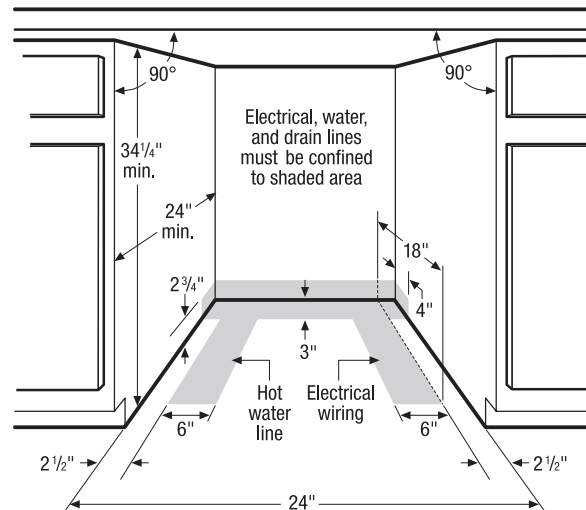
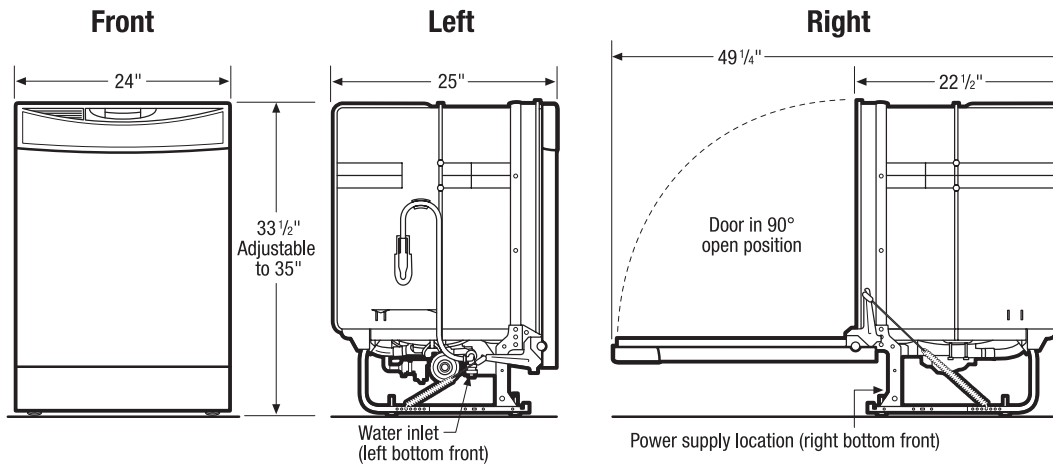
FRIGIDAIRE

USA • 10200 David Taylor Drive • Charlotte, NC 28262 • 1-800-FRIGIDAIRE • frigidaire.com
 CANADA • 5855 Terry Fox Way • Mississauga, ON L5V 3E4 • 1-800-265-8352 • frigidaire.ca

FFBD2409L 01/12

© 2012 Electrolux Home Products, Inc.

Specifications subject to change.



Dishwasher Specifications

- Product Shipping Weight (approx.) - 64 Lbs.
- Voltage Rating - 120V / 60 Hz / 15 Amps (maximum 20 Amps if connected with disposer)
- Connected Load (kW Rating) @ 120 Volts = 1.44 kW (For use on adequately wired 120V, dedicated circuit having 2-wire service with a separate ground wire. Appliance must be grounded for safe operation.)
- Amps @ 120V = 10 Amps
- Always consult local and national electric & plumbing codes. Meets requirements of ASSE 1006 – integral air gap on supply.
- Water Pressure - Hot water line to dishwasher must provide between 20 and 120 pounds per square inch (psi).
- Make sure location has right drain, water and electrical outlets to make connections.

- Keep back free of drain, water & electrical supply.
- Electrical and water supplies should enter cabinet opening on floor, or through back or side walls, as shown in shaded areas.
- Connections preferably located toward left side of dishwasher. Do not cross drain, water or electrical lines in front of motor, blower or frame.
- When installing adjacent to wall, cabinet or other obstruction that extends beyond front edge of unit, allow 2" minimum clearance between opened door and obstruction.
- When installing at end of cabinet line, sides must be fully enclosed.
- Do not install unit under a cooktop, damage will occur.

Note: For planning purposes only. Refer to Product Installation Guide on the web at frigidaire.com for detailed instructions.