



Dishwashers

FFBD2411N S/M/W/B

24" Built-In



Product Dimensions

Height (Adjustable)	33-1/2" - 35"
Width	24"
Depth (Including Door)	25"

More Easy-To-Use Features

2-4-6 Hour Delay Start

Set your dishwasher to run on your schedule.

NSF® Certified

Sanitize cycle removes 99.9% of common household bacteria.

Attractive Stainless Steel Exterior¹

SpaceWise® Silverware Basket

There's a place for all of your silverware in our multi-compartment, removable basket.

5 Wash Cycle Options

Ready-Select® Controls

Easily select options with the touch of a button.

High Temperature Wash

Control Lock Option

ENERGY STAR®

NSF® International Certification



Signature Features

Quiet Dishwasher

Energy Saver Plus Cycle

Eco-friendly cycle uses less energy without compromising cleaning performance.

Fits-More™ Capacity

Our large capacity, tall-tub dishwasher fits up to 14 place settings so you can wash even more at once.

Energy Saver Dry Option

No heat dry option.

Available in:



Stainless (S)



Silver Mist (M)



White (W)

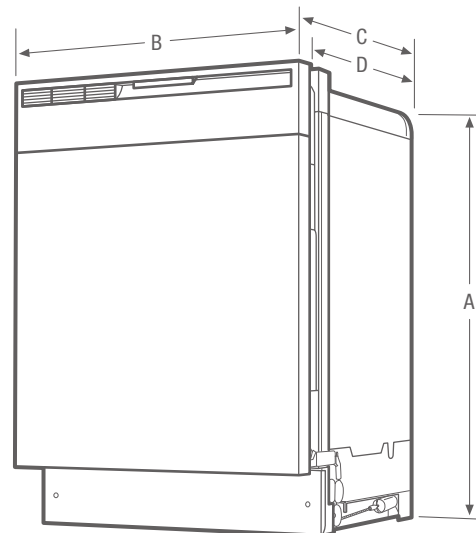


Black (B)

¹Select models only.

Features	
Control Design	Ready-Select®
Digital Display	
Door Latch	Yes
Stay-Put Door Hinge Design	Yes
Low Rinse-Aid Indicator Light	
Interior Design	Tall Tub
Interior Colour	White
Wash System	Direct Feed
Wash Levels/Wash Speeds	5/1
Sound Package	UltraQuiet™ III
Filter	Plastic
Filter Trap	Removable
Soft Food Disposer	Yes
dB Level	55
Drying System	Active Vent
Cycles	
Number of Cycles	5
Heavy	Yes
Normal	Yes
Light	Yes
Delicate	
Favourite	
China/Crystal	
Rinse Only	Yes
Energy Saver Plus	Yes
Upper Rack Wash Only	
Cycle Indicator Light	Yes
Control Lock	Yes
Options	
Heat/No Heat Dry	Yes
Hi-Temp Wash	Yes
NSF® Certified Sanitize Rinse	Yes
Delay Start	2-4-6 Hour
Rack System	
Rack Design/Rack Coating	Better Rack System/PVC
Upper Rack -	
Stemware/Champagne Glass Holders	
Fold-Down Tines	
Cup Shelves	
Lower Rack -	
SpaceWise® Silverware Basket	Ultra I
Fold-Down Tines	
Small Items Cover	
Certifications	
ENERGY STAR®	Yes
NSF® International Certification	Yes
Specifications	
Water Inlet Location	Left Bottom Front
Water Usage (Gallons)	6.0
Water Pressure (PSI)	20 - 120
Integral Air Gap on Supply	Yes
Leveling Legs	4
Power Supply Connection Location	Right Bottom Front
Voltage Rating	120V/60 Hz/15A
Connected Load (kW Rating) @ 120 Volts ¹	1.44
Amps @ 120 Volts	10
Shipping Weight (Approx.)	64 Lbs.

¹For use on adequately wired 120V, dedicated circuit having 2-wire service with a separate ground wire. Appliance must be grounded for safe operation.



NOTE: For planning purposes only. Always consult local and national electric and plumbing codes. Refer to Product Installation Guide for detailed installation instructions on the web at frigidaire.ca.



Product Dimensions		Cutout Dimensions	
A - Height (Adjustable)	33-1/2" - 35"	Height (Min.)	34-1/4"
B - Width	24"	Height (Max.)	35-1/4"
C - Depth (Including Door)	25"	Width (Min.)	24"
D - Depth (To Tub Flange)	22-1/2"	Depth (Min.)	24"
Depth with Door Open 90°	49-1/4"		

Accessories information available on the web at frigidaire.ca