

FRIGIDAIRE

GALLERY.



Dishwashers

FGBD2431K F/W/B/Q

24" Built-In



Product Dimensions

Height (Adjustable)	33-1/2" - 35"
Width	24"
Depth (Including Door)	25"

More Easy-To-Use Features

Multiple Cycle Options

Features easy-to-use cleaning cycle options including Top Rack, Rinse Only and Heavy Wash.

Low-Rinse Aid Indicator

ENERGY STAR®

NSF® International Certification



Available in:



Stainless
(F)



White
(W)



Black
(B)



Bisque
(Q)

Signature Features



Quietest Dishwasher in Its Class¹

A quiet performance every time.



Effortless™ Dry

Get the best drying performance in its class² with Effortless™ Dry.



Real Stainless Steel³

Real stainless steel with a protective coating that reduces fingerprints and smudges so it's easy to clean.



Express-Select™ Controls

Easily select options with the touch of a button.

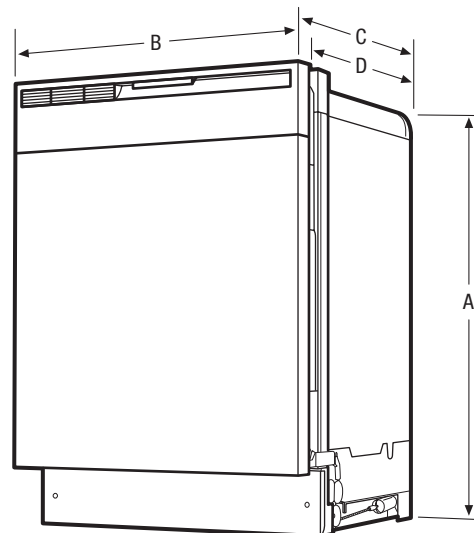
¹Based on published manufacturer specifications for plastic interior dishwashers.

²Based on industry standard dryability testing using Effortless Dry™ plastic interior dishwashers.

³Select model only.

Features	
Control Design	Slimline Express-Select™
Digital Display	Yes
Door Latch/Stay-Put Door Hinge Design	Yes/No
Low Rinse-Aid Indicator Light	Yes
Interior Design/Interior Color	Tall Tub/White
Wash System	Direct
Wash Levels/Wash Speeds	5/1
DishSense™ Technology	
Sound Package	UltraQuiet™ 3
Filter/Filter Trap	S. Steel/Removable
Soft Food Disposer	Yes
dB Level	55
Drying System	Effortless™ Dry
Cycles	
Number of Cycles	4
Heavy	Yes
Normal	Yes
Light	
Quick	
Favorite	
China Crystal	
Rinse Only	Yes
Energy Saver Plus	
Upper Rack Wash Only	Yes
Cycle Indicator Light/Control Lock	No/Yes
Options	
Heat/No Heat Dry	Yes
Hi-Temp Wash	Yes
NSF® Certified Sanitize Rinse	Yes
Delay Start	2-4-6 Hour
Rack System	
Rack Design	Deluxe
Rack Coating	PVC
Upper Rack -	
Rack Handles	Yes
Stemware/Champagne Glass Holders	Yes
Fold-Down Tines	
Cup Shelves	2
Utensil Tray	
Adjustable Rack Height	
Lower Rack -	
SpaceWise™ Silverware Basket	Ultra 1
Fold-Down Tines	
Small Items Cover	
Certifications	
ENERGY STAR®	Yes
NSF® International Certification	Yes
Specifications	
Water Inlet Location	Left Bottom Front
Water Usage (Gallons)	4.9 - 8.5
Water Pressure (PSI)	20 - 120
Integral Air Gap on Supply	Yes
Leveling Legs	4
Power Supply Connection Location	Right Bottom Front
Voltage Rating	120V/60Hz/15A
Connected Load (kW Rating) @ 120 Volts ¹	1.44
Amps @ 120 Volts	10
Shipping Weight (Approx.)	72

¹ For use on adequately wired 120V, dedicated circuit having 2-wire service with a separate ground wire. Appliance must be grounded for safe operation.



NOTE: For planning purposes only. Always consult local and national electric and plumbing codes. Refer to Product Installation Guide for detailed installation instructions on the web at frigidaire.com.



Product Dimensions		Cutout Dimensions	
A - Height (Adjustable)	33-1/2" - 35"	Height (Min.)	34-1/4"
B - Width	24"	Height (Max.)	35-1/4"
C - Depth (Including Door)	25"	Width (Min.)	24"
D - Depth (To Tub Flange)	22-1/2"	Depth (Min.)	24"
Depth with Door Open 90°	49-1/4"		

Accessories information available on the web at frigidaire.com

FRIGIDAIRE

USA • 10200 David Taylor Drive • Charlotte, NC 28262 • 1-800-FRIGIDAIRE • frigidaire.com
 CANADA • 5855 Terry Fox Way • Mississauga, ON L5V 3E4 • 1-800-265-8352 • frigidaire.ca

FGBD2431K 08/10

© 2010 Electrolux Home Products, Inc.

Specifications subject to change.
 Printed in the U.S.A.