



# Dishwasher

FPID2497RF

24" Built-In



## Signature Features



**PowerPlus™ 30-Minute Wash**  
Powerful clean, fast. Washes dishes in a quarter of the time.<sup>1</sup>



**PrecisionPro Wash Zones™**  
Target clean dishes with hard-to-reach areas of bottles and delicate stemware.



**OrbitPower™ Wash Technology**  
Powerful clean, with 4 times better wash coverage.<sup>2</sup>



**Smudge-Proof™ Stainless Steel**  
Resists fingerprints and cleans easily.

## Product Dimensions

Height (Adjustable)	33-3/4" - 35-3/4"
Width	24"
Depth (Including Door)	24-1/4"

## More Easy-To-Use Features

**PowerPlus™ Dry**  
Flawlessly finishes dishes so they are cabinet-ready.

**PowerSense Technology™**  
Automatically adjusts the cycle time based on how much cleaning your dishes need.

**PowerPlus™ Filtration System**  
For a consistent, reliable clean, our Frigidaire Professional dishwasher has a removable stainless steel filter that prevents re-depositing of food particles.

**Delicate-Care™ Soft Grips**  
Holds delicate dishes like glasses in place so they don't move around during the cleaning process.

**Multiple Cycle Options**  
Features a variety of cleaning solutions for a range of cleaning needs like Sanitize to help kill germs, Rinse Only to keep food from sticking to plates, and PowerPlus™ Wash to clean crusty dishes with dried-on food.

**PowerBright™ Floor Light**  
Alerts you to when dishes are complete with an LED light that beams on the floor.

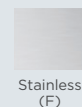
**Holds up to 14 Place Settings**  
Wash even more at once with large capacity racks that fit up to 14 place settings in a single load.

**Stemware Holders and Fold-Down Tines**  
Easily switches from stemware holders to fold-down tines, fold-down tines for when you need to fit larger items on the top rack like pots and pans and stemware holders for when you need to secure glasses.

ENERGY STAR®  
NSF® International  
Certification



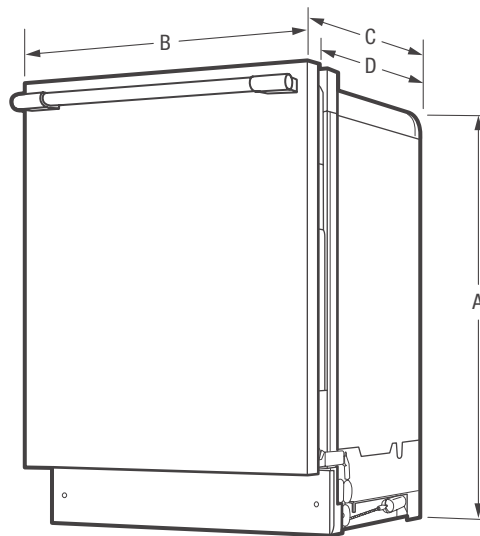
Available in:



<sup>1</sup>Compared to the normal cycle on 2014 Frigidaire® dishwasher models.

<sup>2</sup>Than a traditional lower spray arm.

Features	
Control Design	Fully-Integrated Pro-Select*
Digital Display	Yes
Door Latch/Stay-Put Door Hinge Design	Yes/Yes
Low Rinse-Aid Indicator Light	Yes
Interior Design/Interior Colour	Tall Tub/Stainless Steel
Wash System	Direct Feed
Wash Arm	OrbitPower™
Wash Levels/Wash Speeds	5/Variable
PowerSense Technology™	Yes
AquaSurge™ Technology	Yes
Sound Package	SilentDesign™
Filter/Filter Trap	S. Steel/Removable
Soft Food Disposer	
dB Level	47
Drying System	PowerPlus™ Dry
Cycles	
Number of Cycles	7
PowerPlus™ (Heavy)	Yes
Normal	Yes
Light	
Quick Wash (30-Min.)	Yes
Favourite	Yes
China Crystal	Yes
Rinse Only	Yes
Energy Saver Plus	Yes
Upper Rack Wash Only	
Cycle Indicator Light/Control Lock	Yes/Yes
Cycle Complete Floor Beam Indicator	LED
Options	
Heat/No Heat Dry	Yes
Hi-Temp Wash	Yes
NSF® Certified Sanitize Rinse	Yes
Delay Start	1-24 Hour
Rack System	
Rack Design	Deluxe
Rack Coating	Nylon TufRacks™
SpaceWise® Upper Rack -	
Rack Handles	Yes
Delicate-Care™ Soft Grips	Yes
Fold-Down Tines	Yes
Cup Shelves/Stemware Grips	2/6
Versa-Tray™	
Adjustable Rack Height	Yes
Lower Rack -	
SpaceWise® Silverware Basket	3-Piece Split
Fold-Down Tines	2 Full Rows
Small Items Cover	3
Certifications	
ENERGY STAR®	Yes
NSF® International Certification	Yes
Specifications	
Water Inlet Location	Bottom Left
Water Usage (Gallons)	4.0 - 8.0
Water Pressure (PSI)	20 - 120
Integral Air Gap on Supply	Yes
Leveling Legs	3
Power Supply Connection Location	Right Bottom Front
Voltage Rating	120V / 60 Hz / 15A
Connected Load (kW Rating) @ 120 Volts¹	1.44
Amps @ 120 Volts	15
Shipping Weight (Approx.)	75 Lbs.



NOTE: For planning purposes only. Always consult local and national electric and plumbing codes. Refer to Product Installation Guide for detailed installation instructions on the web at [frigidaire.ca](http://frigidaire.ca).



Product Dimensions	
A - Height (Adjustable)	33-3/4" - 35-3/4"
B - Width	24"
C - Depth (Including Door)	24-1/4"
D - Depth (To Tub Flange)	22-1/2"
Depth with Door Open 90°	50-1/4"

Cutout Dimensions	
Height (Min.)	34"
Height (Max.)	35-3/4"
Width (Min.)	24"
Depth (Min.)	24"

<sup>1</sup>For use on adequately wired 120V, dedicated circuit having 2-wire service with a separate ground wire. Appliance must be grounded for safe operation.

Accessories information available on the web at [frigidaire.ca](http://frigidaire.ca)