

Frigidaire

Factory Parts Catalog

Product No.	PLD4375RFC0
Series	Built-in 24"
Color	stainless
Owner's Guide English	154580101
Owner's Guide Spanish	154580103
Owner's Guide French	154580102
Service Data Sheet	154580201
Energy Guide	154540031
Installation Instructions	154427301
Market	North America

 **Electrolux**

Electrolux Major Appliances
North & Latin America
P.O. BOX 212378
AUGUSTA, GA 30917

Publication No.
5995510566
08/03/28
(EN/SERVICE/ECL)
821

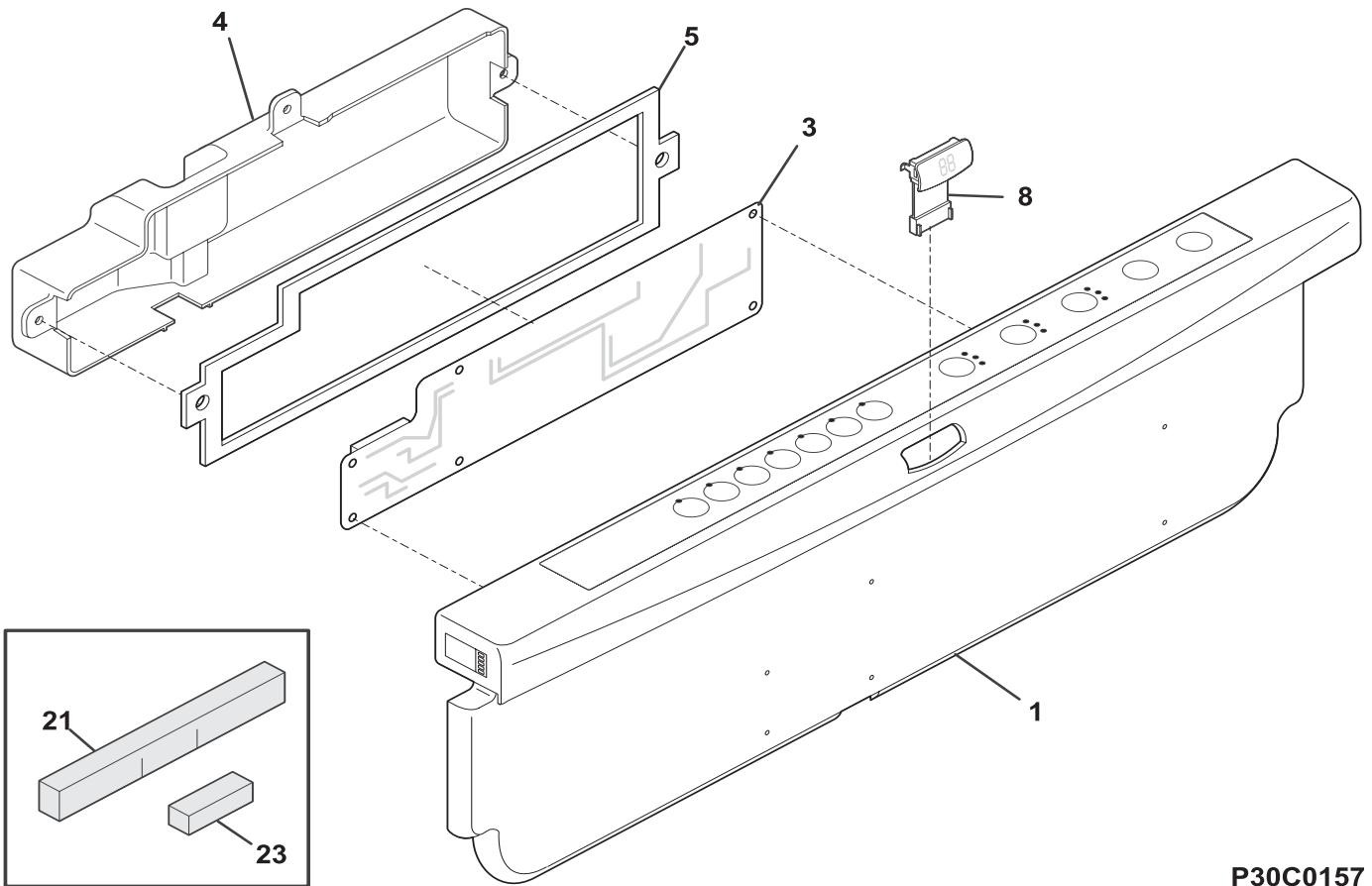
24-INCH BUILT-IN DISHWASHER

Model No.
PLD4375RF

This Publication Supersedes
Publication # 5995475810

Copyright © 2008 Electrolux Home Products, Inc.
All rights reserved.

CONTROL PANEL

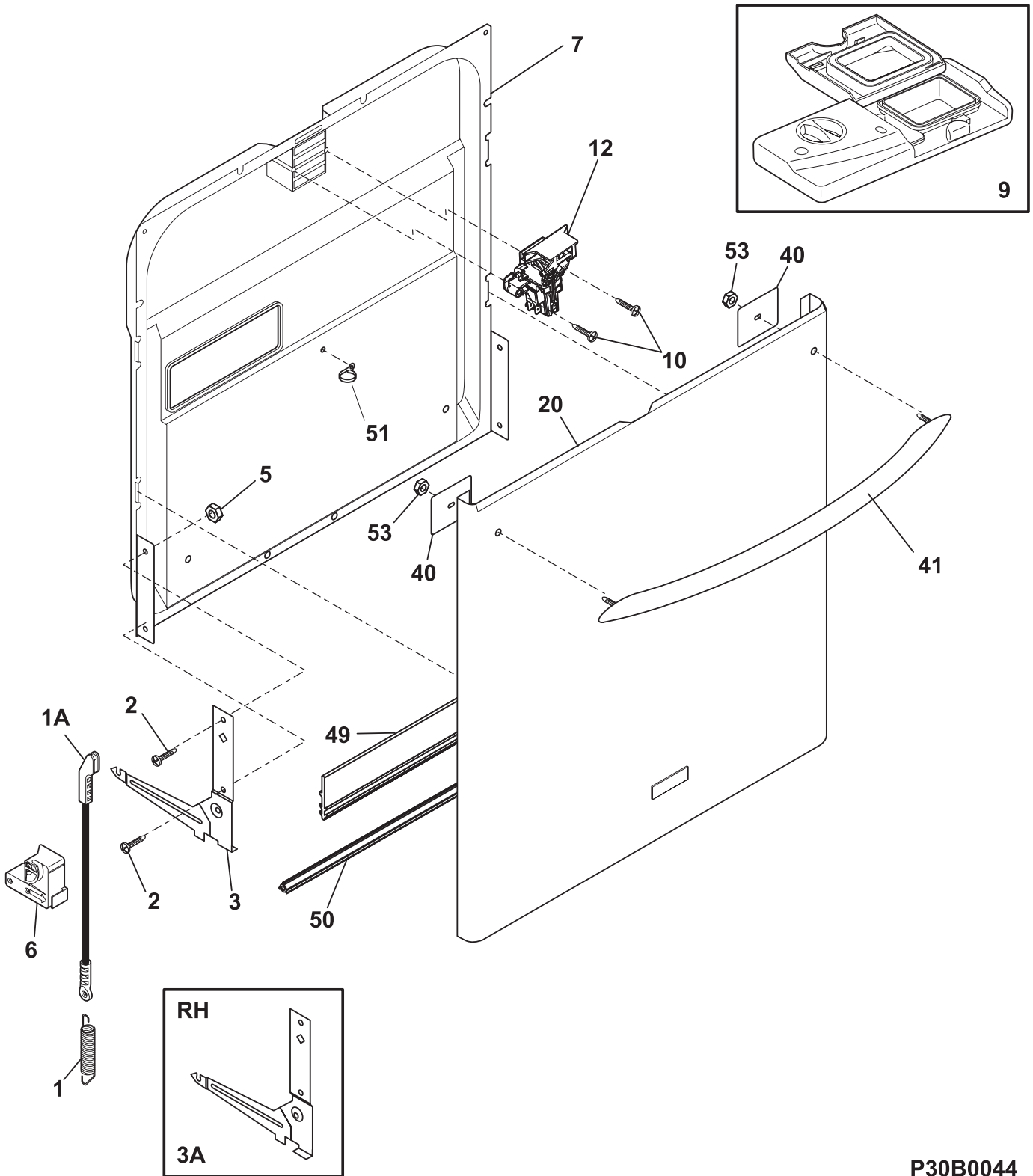


P30C0157

CONTROL PANEL

POS. NO	PART NO.	DESCRIPTION
1	154639207	Console Panel, assembly, stainless, w/overlay & foam
3 #	154543602	Board, control
4	154554601	Cover, control
5	154478901	Gasket, cover
8 #	154543401	Board, display
21	154596601	Insualtion, foam, 5.744/.717/.517, outer console
23	154592902	Insulation, foam, 1.5/.9/.09, console RH
* #	154570901	Harness, wiring, main
*	154540031	Energy guide label
*	154200401	Screw, 6-10 x 3/8, pan plask

DOOR



P30B0044

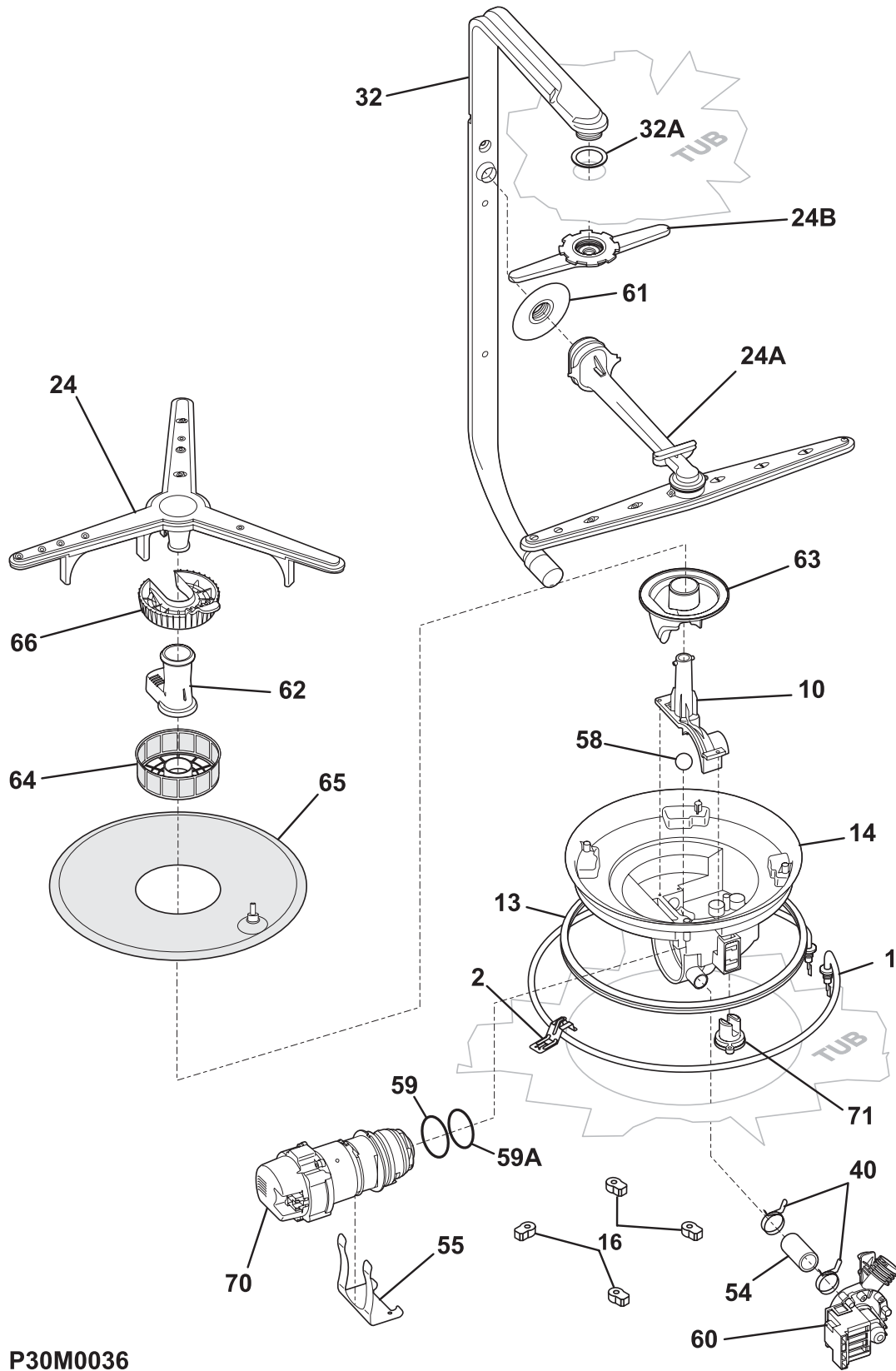
DOOR

POS. NO	PART NO.	DESCRIPTION
1	154579101	Spring, friction pulley, (2)
1A	154578801	Cable, friction pulley, (2)
2	154093301	Screw, arm assy, (4)
3	154598201	Arm Assy, LH, w/foam
3A	154597701	Arm Assy, RH, w/foam
*	154529101	Pin, arm assy
5	154079601	Nut, arm assy, and handle mtg.
6	154579201	Pulley, friction, LH
6	154579202	Pulley, friction, RH
7	154494304	Liner, door assembly, grey, complete
9	154542104	Dispenser, det/rinse aid, w/read
9*	154294701	Screw, #7 plas .375, (6), disp. assy.
10	154103702	Screw, latch mtg, (2)
12 #	154543901	Latch assy, black
20	154580701	Door Assy, outer, stainless, w/badge
20*	5304428306	Screw, door mtg., (2)
40	154585001	Backer, handle mtg, (2)
41	154543705	Towel bar assy, stainless
49	154588201	Gasket, door wiper
50	154598501	Support, door hinge, w/foam
51	154320301	Clamp, drip loop, wire
53	154425001	Nut, Keps, (2), handle mtg.
*	154200601	Screw, #10-16 x 3/8
*	154409401	Screw, #8-18 x .375

TUB

POS. NO	PART NO.	DESCRIPTION
1 #	154643302	Tub assy, w/frame parts, & vent hole
*	154598801	Foam, tub, (2)
2	154544601	Strike, door
3 #	154561001	Gasket, tub
4	154200602	Screw, 10-16 x 3/8, hex
5	154579402	Roller Assy, tub, front, (2)
5A	154581102	Roller Assy, tub, rear, (2)
6	154572801	Screw, tub roller, (8)
9 #	154562802	Vent assy, blower, grey
10	154562902	Bezel, vent, gray
22	154446002	Tubing, water inlet
23	5303318539	Clamp, tubing, (2)
24 #	154525301	Hose, drain
25 #	154209702	Float, grey
28	154408701	Switch Assy, float
29 #	154290204	Thermostat, re-settable
30	154241101	Retainer, thermostat
30*	154297701	Screw, retainer-thermo
*	154528701	Cabinet Seal Kit
*	154544701	Insulation, blanket
*	154580801	Insulation, back
*	154041001	Screw, plask #1, 10-10 x 9/16
*	5300807270	Screw, (2), countertop mtg.

MOTOR & PUMP



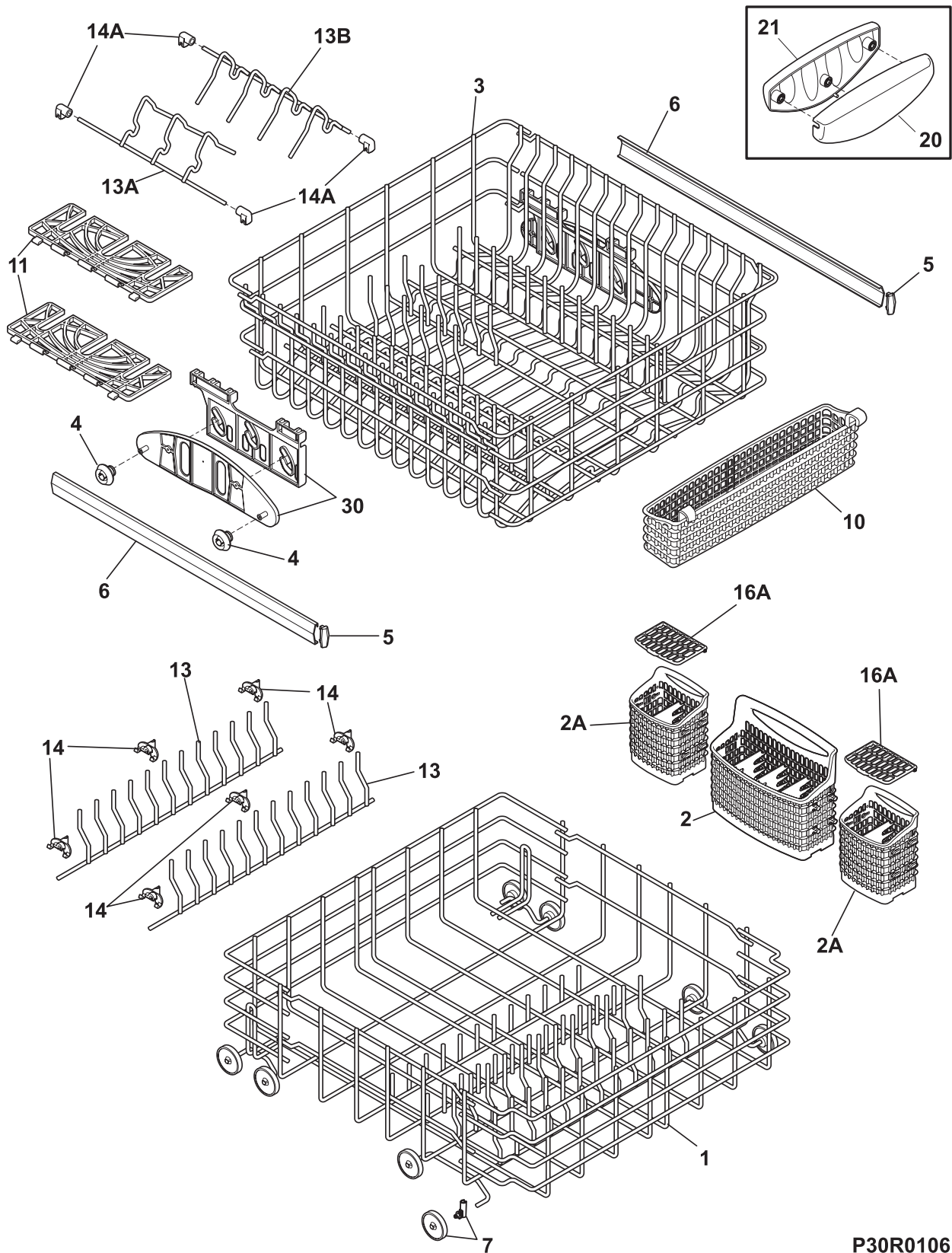
MOTOR & PUMP

POS. NO	PART NO.	DESCRIPTION
1 #	154482901	Heater, round
1*	154106201	Nut, heater, (2)
1*	154289801	Shield, heater terminal
2	154465101	Bracket, heater, (2)
10	154245501	Cover, volute
13	154246801	Gasket, sump
14	154461902	Housing, sump
16	154246502	Retainer, sump
24	154467702	Spray arm, grey, lower
24A	154468502	Spray arm, grey, center
24B	154478202	Spray arm, 3rd level, grey
32	154464101	Tube, delivery
32*	154491101	Screw, delivery tube
32A	154406401	Gasket, delivery tube
40	154106801	Clamp, hose, worm/drain
40*	154380601	Clamp, hose, worm/gear
54	154234401	Hose, connector
55	154595901	Bracket, motor
55*	5303316032	Screw, truss ss, 8 .625
58	154246402	Check ball
59	154246901	O-ring, rear
59A	154247001	O-ring, front
60	154491301	Pump, drain
60*	5303318719	Screw, mtg.
61	154463402	Grommet, delivery tube
62	154294102	Support, spray arm, grey, lower
63	154252201	Base, soil director
64	154252302	Filter, soil director, grey
65	154283005	Filter Assy, grey
66	154252702	Trap, glass, grey
70 #	154579701	Motor & Pump Assy, johnson
71 #	154473901	Sensor, turbidity
71*	154376001	O-ring, turbidity
*	154200601	Screw, #10-16 x 3/8

FRAME

POS. NO	PART NO.	DESCRIPTION
3 #	154569201	Valve, water
4	154595801	Brace, front frame
8	154589403	Toeplate, adjustable, black
8*	154528101	Insulation, toeplate
9	154589503	Kickplate Assy, black
10	5300808658	Screw, #8A x .375", black
11	154200701	Screw, #10-32 x 3/8
11A	154200601	Screw, #10-16 x 3/8
15	154571101	Leg, leveling, (4)
20	154597001	Cover, junction box
*	154041001	Screw, plask #1, 10-10 x 9/16
*	154409401	Screw, #8-18 x .375

RACKS



P30R0106

RACKS

POS. NO	PART NO.	DESCRIPTION
1	154432604	Rack assy, lower, grey
2	154424002	Basket, silverware, grey, main
2A	154424102	Basket, silverware, grey, (2), side
3	154494404	Rack assy, upper, grey
4	154572403	Roller, upper rack, (4)
5	5304440996	Cap, slide, grey, (4)
6	154572201	Slide, rack, (2)
7	154174503	Wheel & bracket assy, grey, lower rack, (8)
10	154466902	Basket, utility, grey
11	154436104	Shelf, cup, half width, grey
13	154425503	Fence, fold down, grey, lower rack, (2), full length
13A	154598602	Fence, multi, 3 wire, LH, upper rack
13B	154598402	Fence, multi, 4 wire, RH, upper rack
14	154428402	Bracket, fold down fence, grey, lower rack, (6)
14A	154242002	Bracket, multi fence, white, upper rack, (4)
14A*	154242102	Bushing, multi fence, upper rack, (4)
16A	154424303	Cover, side basket, grey, (2), silverware
20	154530702	Handle, pull, grey, front, upper rack
21	154530902	Handle, pull, grey, rear, upper rack
30	154581802	Bracket, adjustment, upper rack, LH, assembly
30*	154581702	Bracket, adjustment, upper rack8, RH, assembly