



*Frigidaire*

Factory Parts Catalog

Product No.	FWS933FS0
Series	Frigidaire
Market	North America
Color	white
Volts	120
Wiring Diagram	134755700
Owner's Guide	134752500
Installation Instructions	134752400
Operating Instructions	134752300
Energy Guide	134756600

 **Electrolux**

Electrolux Major Appliances  
North & Latin America  
P.O. BOX 212378  
AUGUSTA, GA 30917

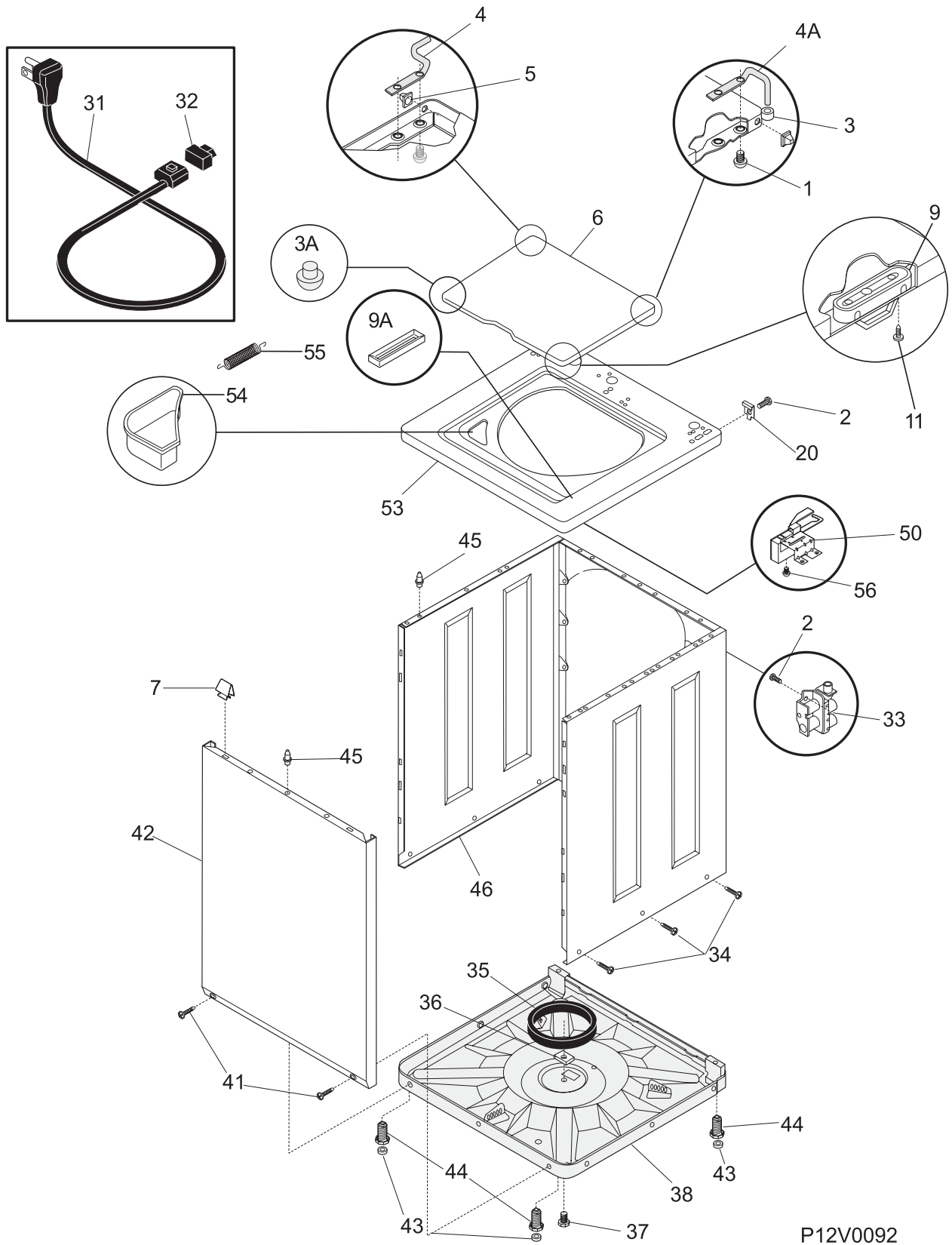
Publication No.  
**5995482279**  
07/01/12  
(EN/SERVICE/WC)  
361

**TOP-LOAD WASHING  
MACHINE**

**Model No.  
FWS933F**

Copyright © 2007 Electrolux Home Products, Inc.  
All rights reserved.

CABINET/TOP

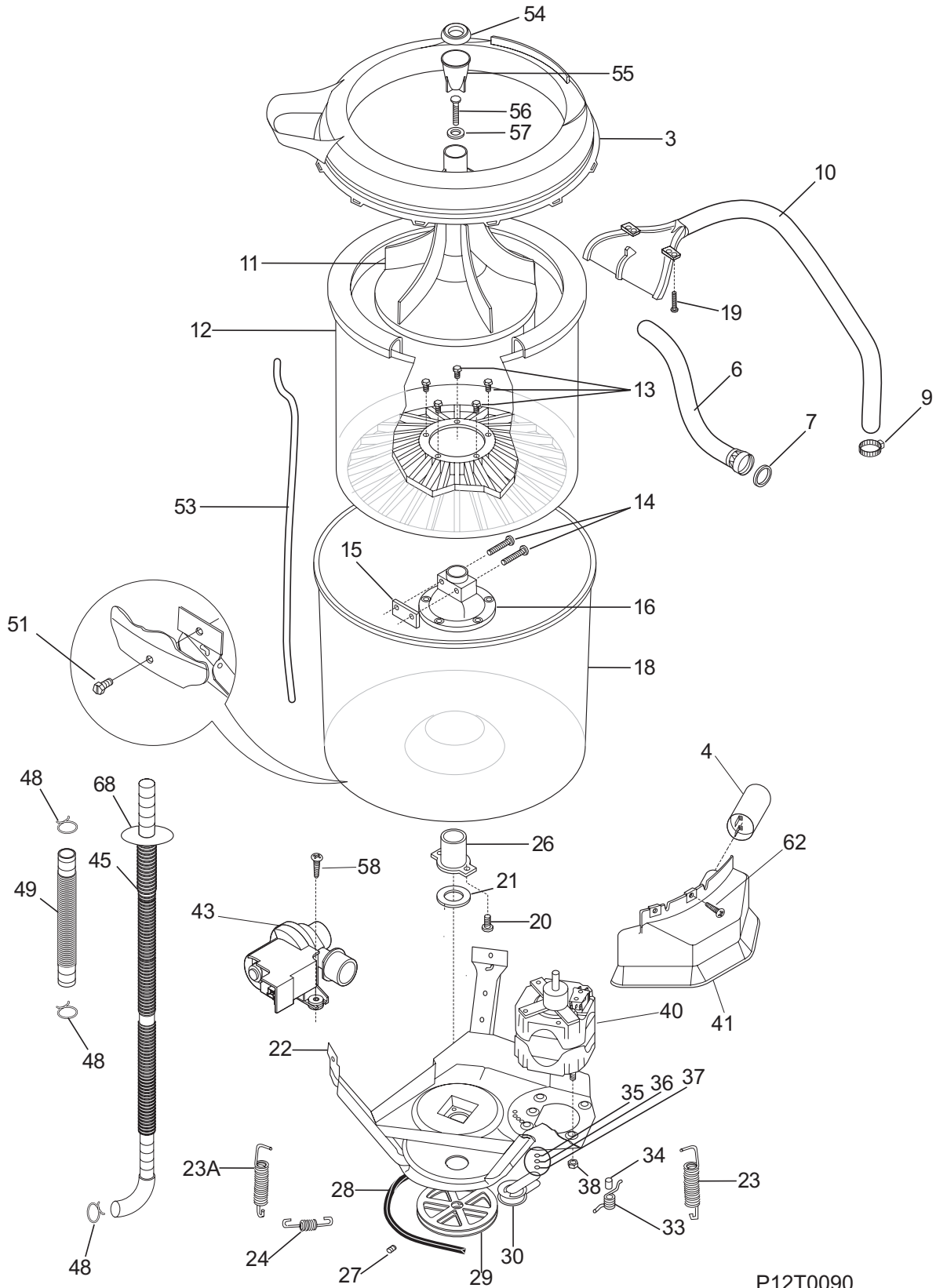


P12V0092

**CABINET/TOP**

POS. NO	PART NO.	DESCRIPTION
1	134203900	Screw, pan hd phillips, 6-32 x 0.337, dog point
2	131168200	Screw, pan head, 8-18B x 0.31
3	131433300	Bumper, lid hinge
3A	134075500	Bumper, lid, front
4	131385910	Hinge Bar, LH
4A	131374220	Hinge Bar, RH
5	5303208743	Grommet, hinge
6	131374401	Lid, white
7	3205821	Clip, top-to-front
9	131390000	Lid Strike
9A	134768500	Insert, striker plate, lid slot
11	3204368	Screw, lid strike mtg, 6-20B X 0.375
20	5303208751	Hinge, top panel, cabinet rear
31 #	134501000	Power Cord, electric svce
32	5303209428	Bushing, power cord
33 #	134210800	Valve, water, 115 V
34	131205500	Screw, cab body, 1/4-14 x 0.625, side-to-base
35	5308002385	Snubber Ring
36	3204380	Shipping Block
37	131658900	Screw, shipping, 1/4-20 x 1.001, yellow, unit base, thread forming
38	134773500	Base Assembly
41	131258400	Screw, 10-16AB x 0.500
42	131104303	Panel, front, white
43	131422100	Pad, leveling leg
44	5303309673	Screw, leveling leg, with pad
45	131346400	Pin, panel locator
46	134046600	Cabinet Assy, white, back and sides
50 #	134101800	Lock, lid, w/ext switch
53	131452692	Panel, white, top
54	5303208778	Dispenser, bleach
55	5303212876	Spring, lid assist
56	131243700	Screw, pan head, 8-18AB x 0.375

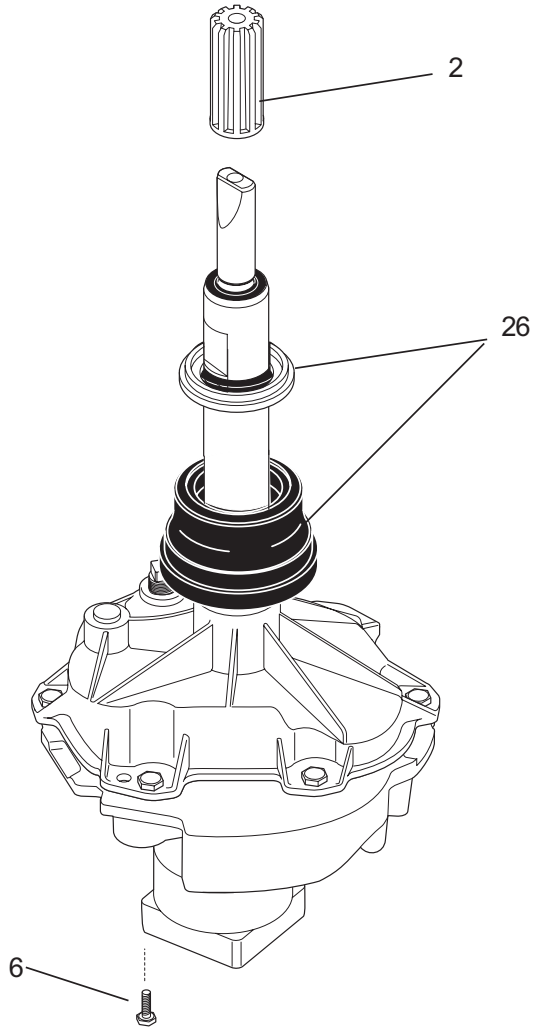
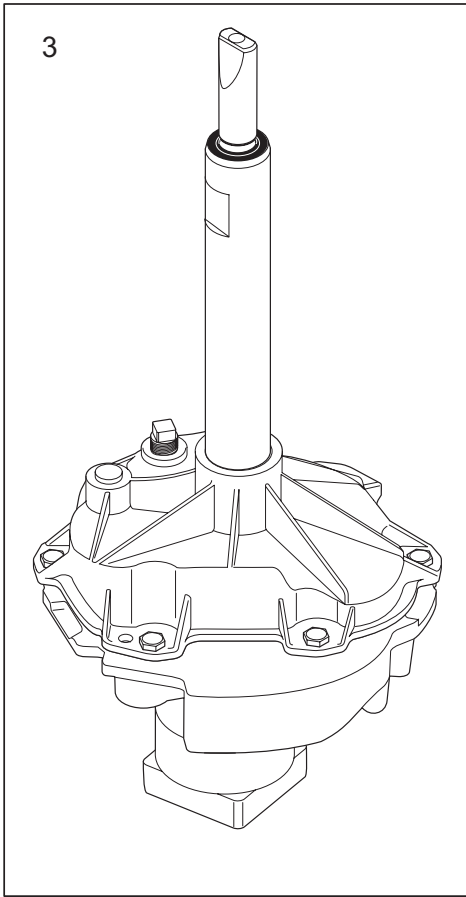
MOTOR/TUB



**MOTOR/TUB**

POS. NO	PART NO.	DESCRIPTION
3	131551102	Cover, splash tub, with seal
3*	131901400	• Seal, splash cover
4 #	131212301	Capacitor, motor
6	131454100	Hose, water inlet, 4 ft., hose & washer
7	5303161296	Washer, inlet hose
9	5303304824	Clamp
10	134211701	Hose Assy, ATC, w/nozzle, clamp
11	131427200	Agitator
12	131221300	Tub, spin
13	5303283293	Screw, trunion, 5/16-18 x 0.625, (5)
14	131192800	Screw, lockplate, 5/16-18 x 1.625
15	5308001923	Plate, lock
16	131545101	Trunnion
18	131557201	Tub, splash, w/air dome, brg
19	131205300	Screw, 10-16 x 0.750
20	3205150	Screw, tub bearing, 8-12B x 0.750
21	5308002401	Washer, spin bearing, upper
22	131373610	Leg & Dome Assy
23	5303208858	Spring, vertical, short
23*	5303212877	Insert, spring adjuster, vertical
23A	5303208860	Spring, vertical
24	131373900	Spring, horizontal
26 #	3204405	Bearing, outer tub
27	5303304825	Screw, set, hex hd cup, 5/16-18 x 0.85, xmsn pulley, hex head cup pt
28 #	134511600	V-Belt, washer drive, standard 4L
29 #	131498301	Pulley, xmsn drive
30 #	131862900	Idler Arm Assy, VAW, with pulley
33	3204425	Spring, torsional
34	3204426	Sleeve, idler pivot
35	3161433	Ring, retaining
36	5303261031	Washer, pivot shaft
37	5303161306	Washer, spring type
38	5303318708	Nut, hex flange, motor mounting
40 #	134156400	Motor, 3/4 hp, 1 speed, with pulley
41	131513300	• Shield, motor assy, w/speed nuts
41	5303283052	• Speed Nut, motor shield, steel clip
41 #	131715800	Shield, motor assy, w/capacitor, nut
43 #	134740500	Pump, drain
45 #	134592700	Hose, drain
45*	131453000	Bushing, snap-in
45*	131663500	Cushion, drain hose, base
45*	134261300	Clip, drain hose, push-mount
45*	134745300	Clip, drain hose
48	131306234	Clamp, hose, wire
49 #	131494800	Hose, pump to tub
51	134164400	Screw, hex washer head, 5/16-18 x 0.625
53	5300771996	Tube, pressure, vinyl
54	131266800	Cap, dispenser
55	131206100	Cup, dispenser
56	131468900	Screw, agitator mtg, 5/16-18 x 1.250
57	131339600	Spacer, agitator mtg, rubber
58	134160900	Screw, washer hd, 10-16AB X 0.75
62	131258400	Screw, 10-16AB x 0.500
68	131707800	Ring, drain hose
68*	5303309503	Clip, drain hose, back sheet

**TRANSMISSION**



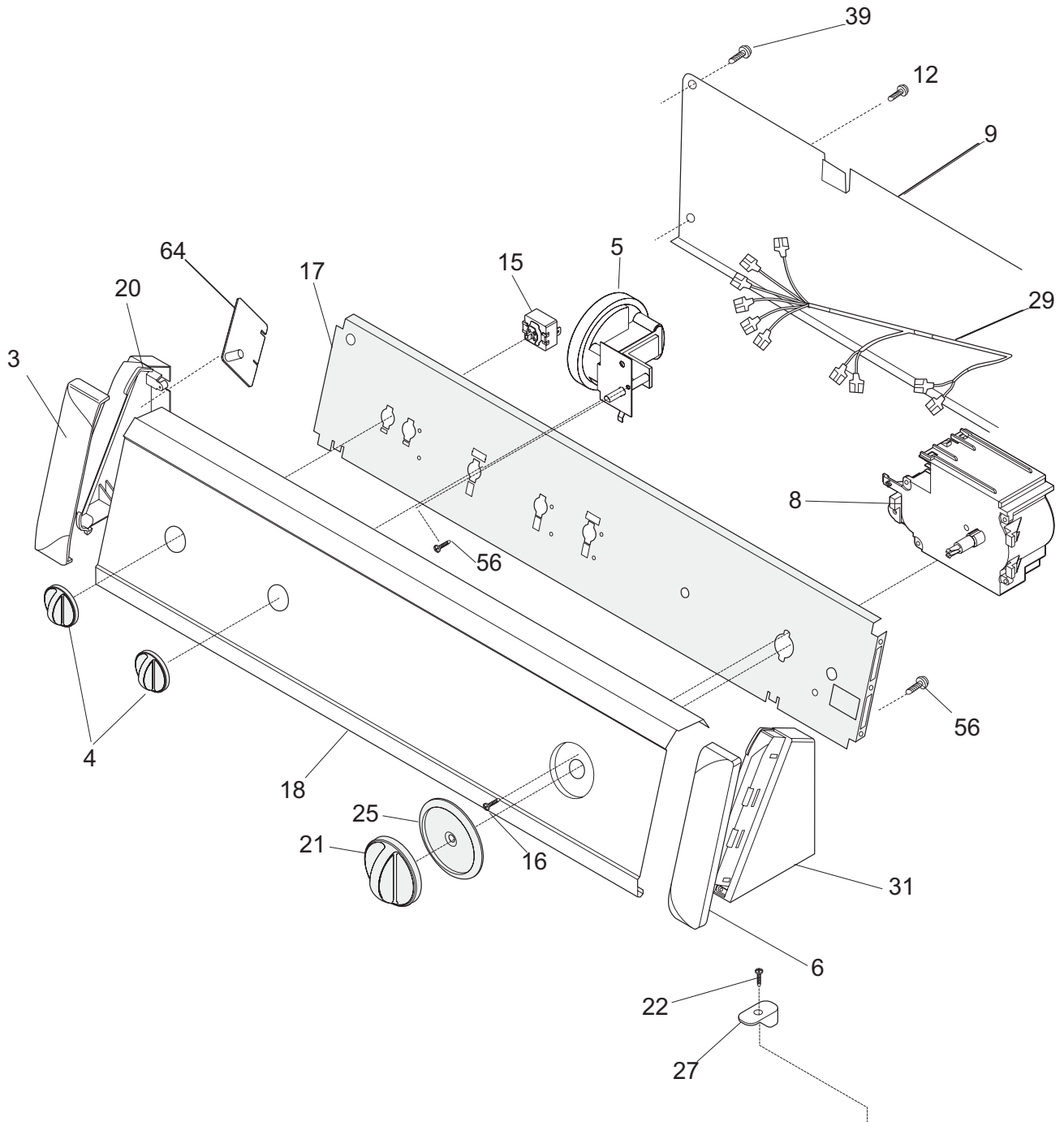
P12M0014

**TRANSMISSION**

---

POS. NO	PART NO.	DESCRIPTION
2 #	134418700	Hub, drive, agitator
3 #	134736400	Transmission, service kit
6	134197900	Screw, hex washer head, 1/4-20 x 0.437
26 #	5303279394	Seal Assy, tub, transmission

**CONTROL/PANEL**



P12C0375



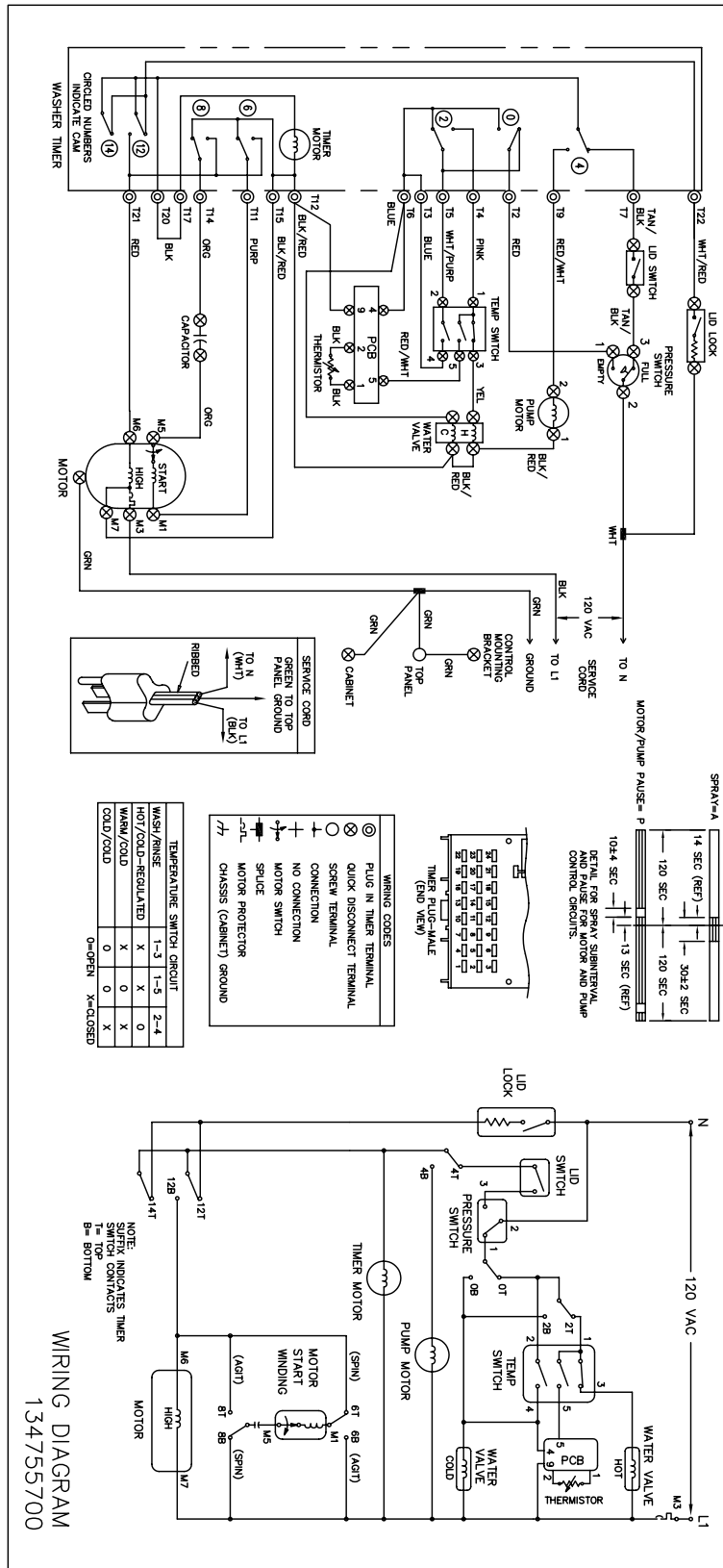
**CONTROL/PANEL**

POS. NO	PART NO.	DESCRIPTION
3	131122611	Cover, end cap, white, LH
4	131141105	Knob, rotary, white/dk gray
5	134411600	Switch, pressure, 3 position
6	131122601	Cover, end cap, white, RH
8 #	131758600	Timer, washer
9	134088700	Panel, console back
12	131243700	Screw, pan head, 8-18AB x 0.375
15 #	134403500	Switch, temp selector, 3 position
16	131477001	Screw, pan head, 10-16AB x 0.375
17	134487900	Bracket, control mtg
18	134072000	Panel, trimplate, console front
20	131122714	End Cap, white, LH
21	131592001	Knob, timer, white
22	131266330	Screw, 8-18 x 1.250
25	131592105	Pointer, timer knob, white, dark gray ind.
27	131197000	Clip, console mtg
29 #	134762200	Wiring Harness
31	131122701	End Cap, white, RH
39	131205100	Screw, #8 pan head, 10-10B x 0.500, cr/sq drive
56	131243800	Screw, pan hd locking, 8-32CA x 0.375, cup point
64 #	134810600	Control Board, temperature, ATC
64 *	134205400	Screw, pan head, 6-19 x 0.500, type p
*	134756600	Energy Guide

WIRING DIAGRAM

CAUTION: DISCONNECT ELECTRIC CURRENT BEFORE SERVICING

TERMINAL	CIRCUIT	WASH (16 MIN)	REGULAR PUMP (6 MIN)	RINSE (4 MIN)	PUMP (10 MIN)	OFF	PERFL PRESS WASH (12 MIN)	PUMP (6 MIN)	RINSE (4 MIN)	PUMP (6 MIN)	OFF	DELICATE WASH (9 MIN)	PUMP (6 MIN)	RINSE (4 MIN)	PUMP (6 MIN)	OFF
1	SI SPRAY															
2	WASH FILL															
3	SI SPRAY															
4	WASH FILL															
5	SI SPRAY															
6	PUMP															
7	WASH FILL															
8	WASH FILL															
9	PUMP															
10	WASH FILL															
11	WASH FILL															
12	WASH FILL															
13	WASH FILL															
14	WASH FILL															
15	WASH FILL															
16	WASH FILL															
17	WASH FILL															
18	WASH FILL															
19	WASH FILL															
20	WASH FILL															
21	WASH FILL															
22	WASH FILL															



**TEMPERATURE SWITCH CIRCUIT**

WASH/RINSE	1-3	1-5	2-4
HOT/COLD-REGULATED	X	X	X
WASH/COLD	X	X	X
COLD/COLD	O	O	X

O=OPEN X=CLOSED

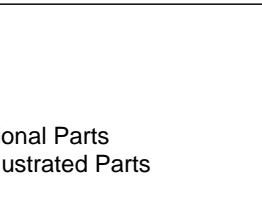
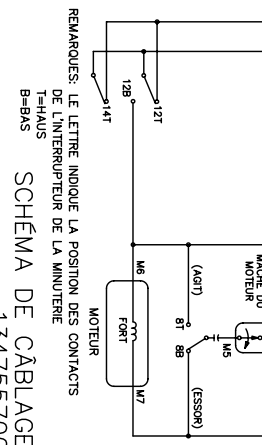
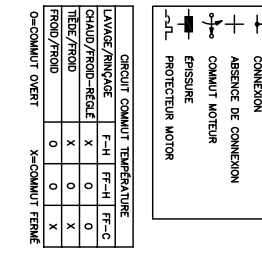
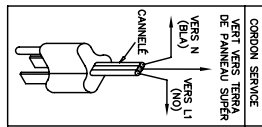
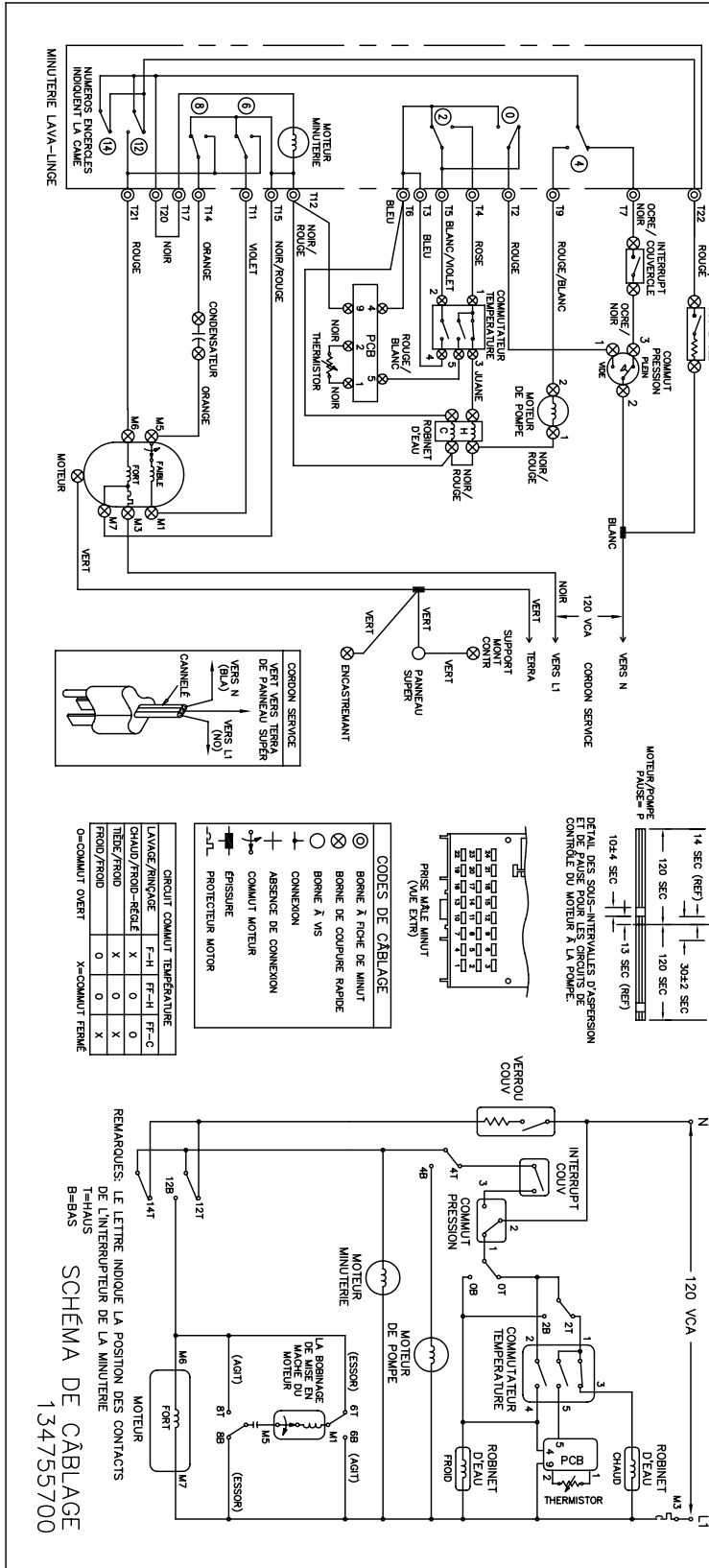
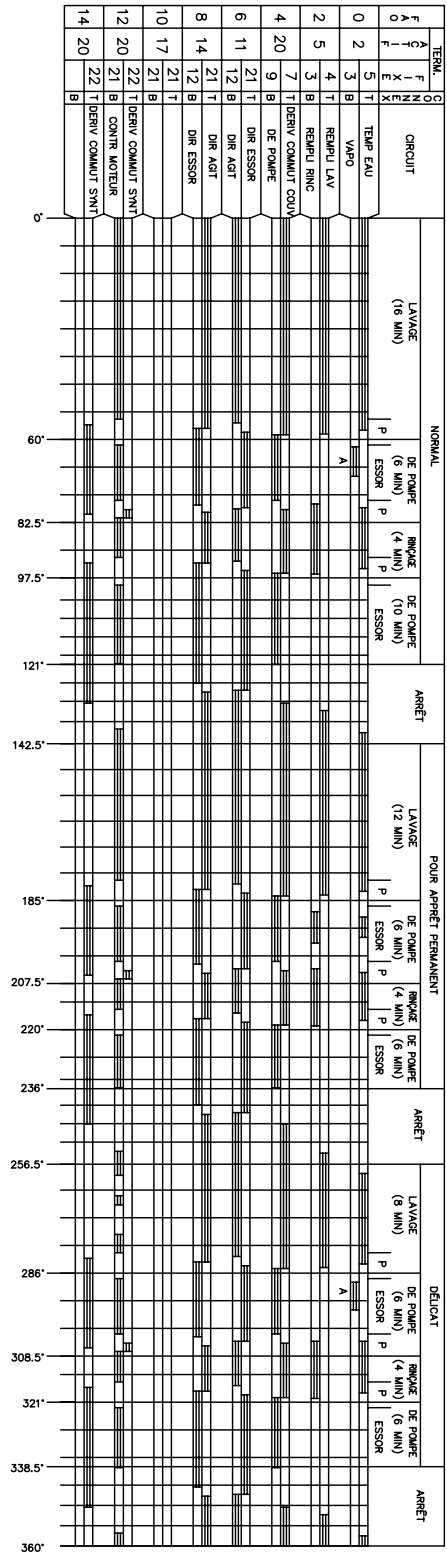
**WIRING CODES**

- ⊕ PUG IN TIMER TERMINAL
- ⊗ QUICK DISCONNECT TERMINAL
- SCREW TERMINAL CONNECTION
- ⊕ NO CONNECTION
- ⊖ MOTOR SWITCH
- ⊖ SPRUCE MOTOR PROTECTOR CHASSIS (CABINET) GROUND

WIRING DIAGRAM 134755700

WIRING DIAGRAM

ATTENTION: COUPER L'ALIMENTATION ÉLECTRIQUE AVANT DE DÉPANNER L'APPAREIL



REMARQUES: LE LETTRE INDIQUE LA POSITION DES CONTACTS DE L'INTERRUPTEUR DE LA MINUTIERE  
 I=HAUS  
 B=BAS

SCHEMA DE CÂBLAGE  
 134755700

# Functional Parts  
 \* Non-Illustrated Parts