

Frigidaire

Factory Parts Catalog

Product No.	GLWS1439FC0	GLWS1439FS0
Series	Frig Gallery	Frig Gallery
Color	white	white
Volts	120	120
Wiring Diagram	134755500	134755500
Owner's Guide	134752500	134752500
Installation Instructions	134752400	134752400
Operating Instructions	134753100	134753100
Energy Guide	134757200	134757200

 **Electrolux**

Electrolux Major Appliances
 North & Latin America
 P.O. BOX 212378
 AUGUSTA, GA 30917

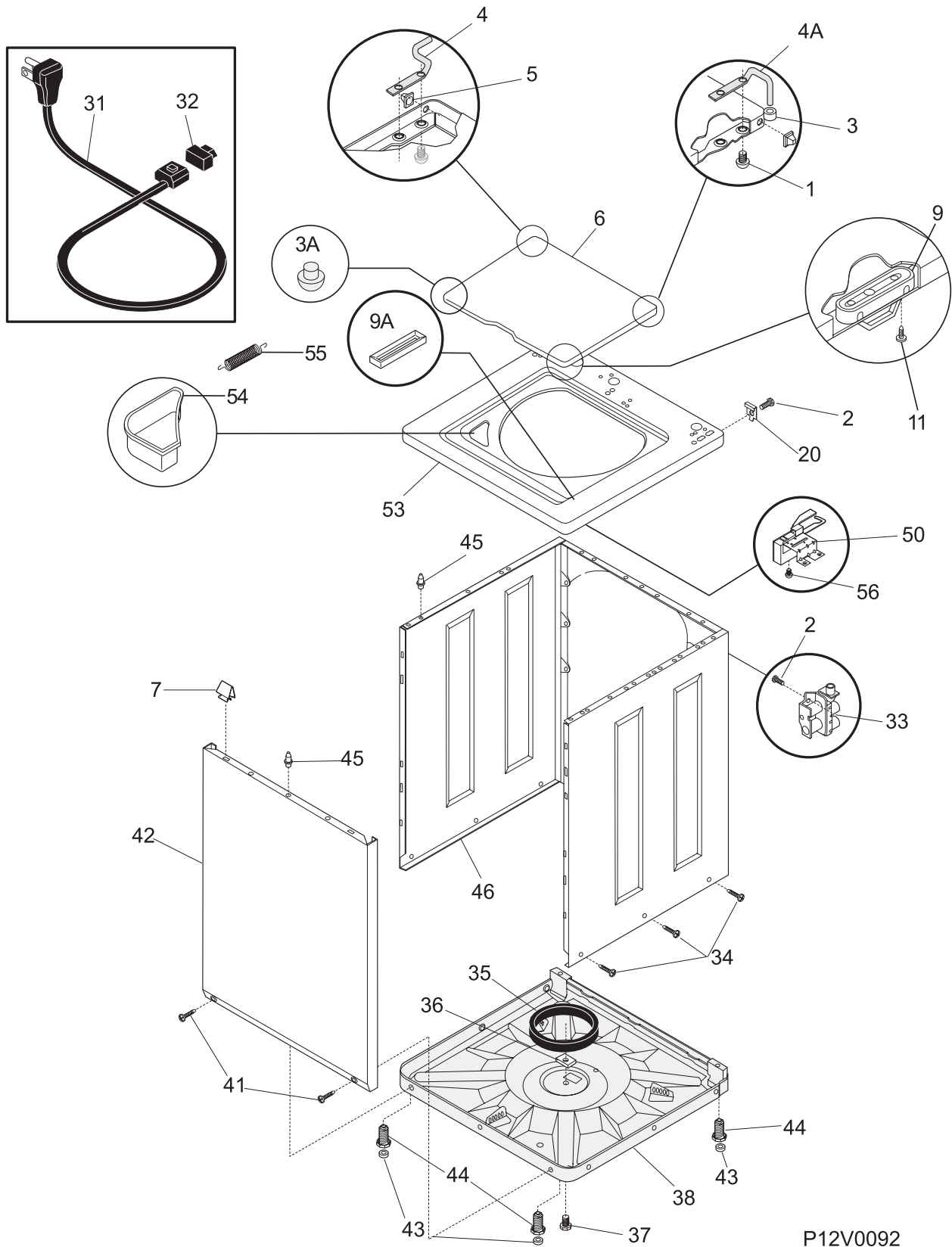
Publication No.
5995482402
 07/01/16
 (EN/SERVICE/WC)
 361

**TOP-LOAD WASHING
 MACHINE**

Model No.
GLWS1439F

Copyright © 2007 Electrolux Home Products, Inc.
 All rights reserved.

CABINET/TOP



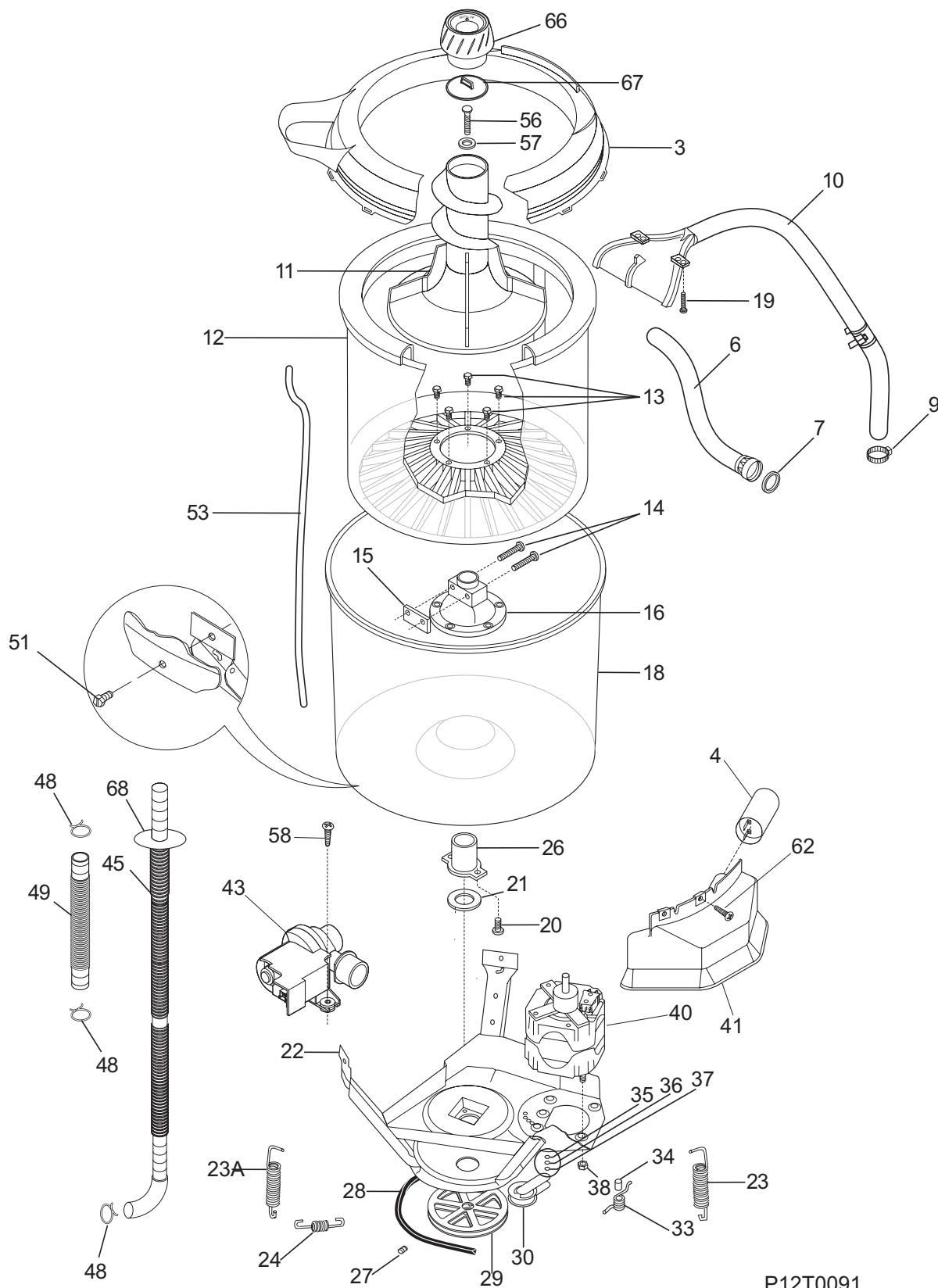
P12V0092

CABINET/TOP

Model Index: A GLWS1439F (GLWS1439FC0)
B GLWS1439F (GLWS1439FS0)

POS. NO	PART NO.		DESCRIPTION
1	134203900	A B	Screw, pan hd phillips, 6-32 x 0.337, dog point
2	131168200	A B	Screw, pan head, 8-18B x 0.31
3	131433300	A B	Bumper, lid hinge
3A	134075500	A B	Bumper, lid, front
4	131385910	A B	Hinge Bar, LH
4A	131374220	A B	Hinge Bar, RH
5	5303208743	A B	Grommet, hinge
6	131374401	A B	Lid, white
7	3205821	A B	Clip, top-to-front
9	131390000	A B	Lid Strike
9A	134768500	A B	Insert, striker plate, lid slot
11	3204368	A B	Screw, lid strike mtg, 6-20B X 0.375
20	5303208751	A B	Hinge, top panel, cabinet rear
31 #	134501000	A B	Power Cord, electric svce
32	5303209428	A B	Bushing, power cord
33 #	134210800	A B	Valve, water, 115 V
34	131205500	A B	Screw, cab body, 1/4-14 x 0.625, side-to-base
35	5308002385	A B	Snubber Ring
36	3204380	A B	Shipping Block
37	131658900	A B	Screw, shipping, 1/4-20 x 1.001, yellow, unit base, thread forming
38	134773500	A B	Base Assembly
41	131258400	A B	Screw, 10-16AB x 0.500
42	131104303	A B	Panel, front, white
43	131422100	A B	Pad, leveling leg
44	5303309673	A B	Screw, leveling leg, with pad
45	131346400	A B	Pin, panel locator
46	134046600	A B	Cabinet Assy, white, back and sides
50 #	134101800	A B	Lock, lid, w/ext switch
53	131452692	A B	Panel, white, top
54	5303208778	A B	Dispenser, bleach
55	5303212876	A B	Spring, lid assist
56	131243700	A B	Screw, pan head, 8-18AB x 0.375

MOTOR/TUB



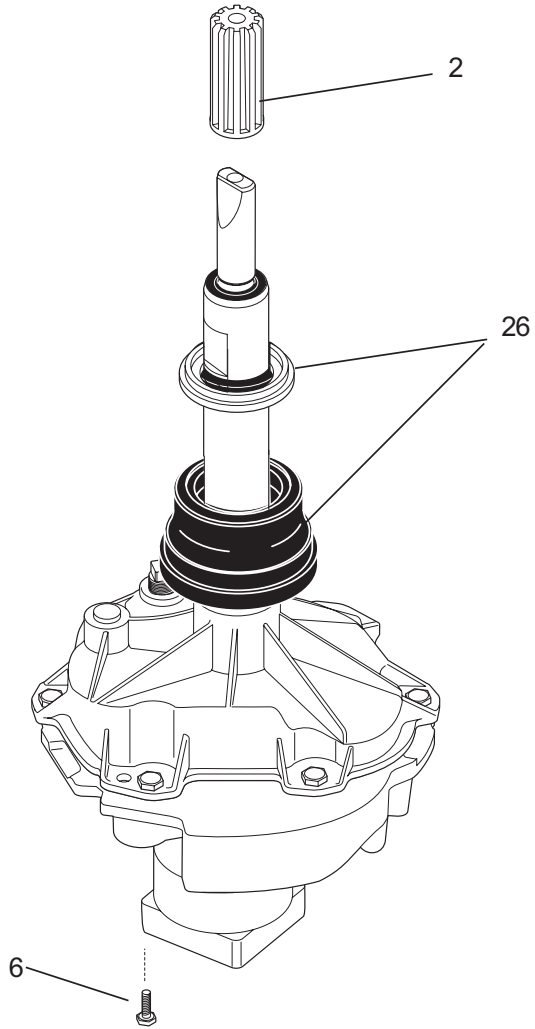
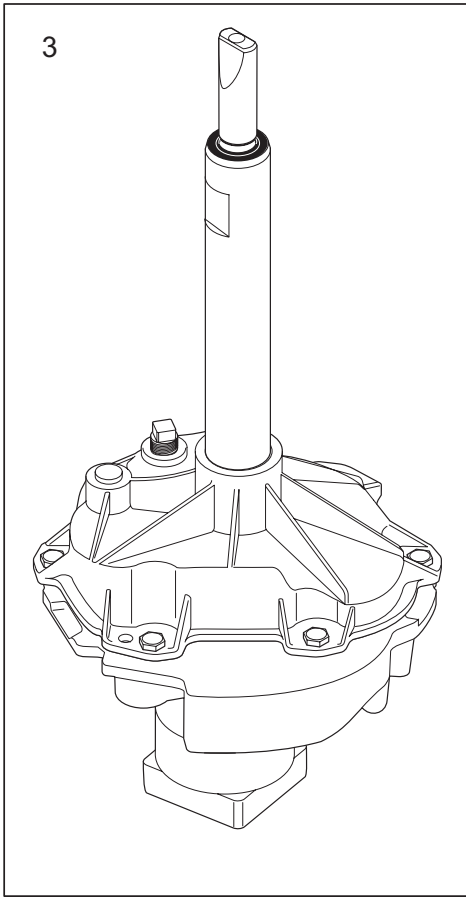
P12T0091

MOTOR/TUB

Model Index: A GLWS1439F (GLWS1439FC0)
B GLWS1439F (GLWS1439FS0)

POS. NO	PART NO.		DESCRIPTION
3	131551102	A B	Cover, splash tub, with seal
3*	131901400	A B	• Seal, splash cover
4 #	131212301	A B	Capacitor, motor
6	131454100	A B	Hose, water inlet, 4 ft., hose & washer
7	5303161296	A B	Washer, inlet hose
9	5303304824	A B	Clamp
10	134211701	A B	Hose Assy, ATC, w/nozzle, clamp
11 #	131605901	A B	Agitator Assy, dual action
12	131221300	A B	Tub, spin
13	5303283293	A B	Screw, trunion, 5/16-18 x 0.625, (5)
14	131192800	A B	Screw, lockplate, 5/16-18 x 1.625
15	5308001923	A B	Plate, lock
16	131545101	A B	Trunnion
18	131557201	A B	Tub, splash, w/air dome, brg
19	131205300	A B	Screw, 10-16 x 0.750
20	3205150	A B	Screw, tub bearing, 8-12B x 0.750
21	5308002401	A B	Washer, spin bearing, upper
22	131373610	A B	Leg & Dome Assy
23	5303208858	A B	Spring, vertical, short
23*	5303212877	A B	Insert, spring adjuster, vertical
23A	5303208860	A B	Spring, vertical
24	131373900	A B	Spring, horizontal
26 #	3204405	A B	Bearing, outer tub
27	5303304825	A B	Screw, set, hex hd cup, 5/16-18 x 0.85, xmsn pulley, hex head cup pt
28 #	134511600	A B	V-Belt, washer drive, standard 4L
29 #	131498301	A B	Pulley, xmsn drive
30 #	131862900	A B	Idler Arm Assy, VAW, with pulley
33	3204425	A B	Spring, torsional
34	3204426	A B	Sleeve, idler pivot
35	3161433	A B	Ring, retaining
36	5303261031	A B	Washer, pivot shaft
37	5303161306	A B	Washer, spring type
38	5303318708	A B	Nut, hex flange, motor mounting
40 #	134159500	A B	Motor, 3/4 hp, 2 speed, with pulley
41	131513300	A B	• Shield, motor assy, w/speed nuts
41	5303283052	A B	• Speed Nut, motor shield, steel clip
41 #	131715800	A B	Shield, motor assy, w/capacitor, nut
43 #	134740500	A B	Pump, drain
45 #	134592700	A B	Hose, drain
45*	131453000	A B	Bushing, snap-in
45*	131663500	A B	Cushion, drain hose, base
45*	134261300	A B	Clip, drain hose, push-mount
45*	134745300	A B	Clip, drain hose
48	131306234	A B	Clamp, hose, wire
49 #	131494800	A B	Hose, pump to tub
51	134164400	A B	Screw, hex washer head, 5/16-18 x 0.625
53	5300771996	A B	Tube, pressure, vinyl
56	131468900	A B	Screw, agitator mtg, 5/16-18 x 1.250
57	131339600	A B	Spacer, agitator mtg, rubber
58	134160900	A B	Screw, washer hd, 10-16AB X 0.75
62	131258400	A B	Screw, 10-16AB x 0.500
66	131624500	A B	Agitator Cap Assy, dispenser cup, dual action
67	131606210	A B	Mechanism, disp cap assy, dual action
68	131707800	A B	Ring, drain hose
68*	5303309503	A B	Clip, drain hose, back sheet

TRANSMISSION



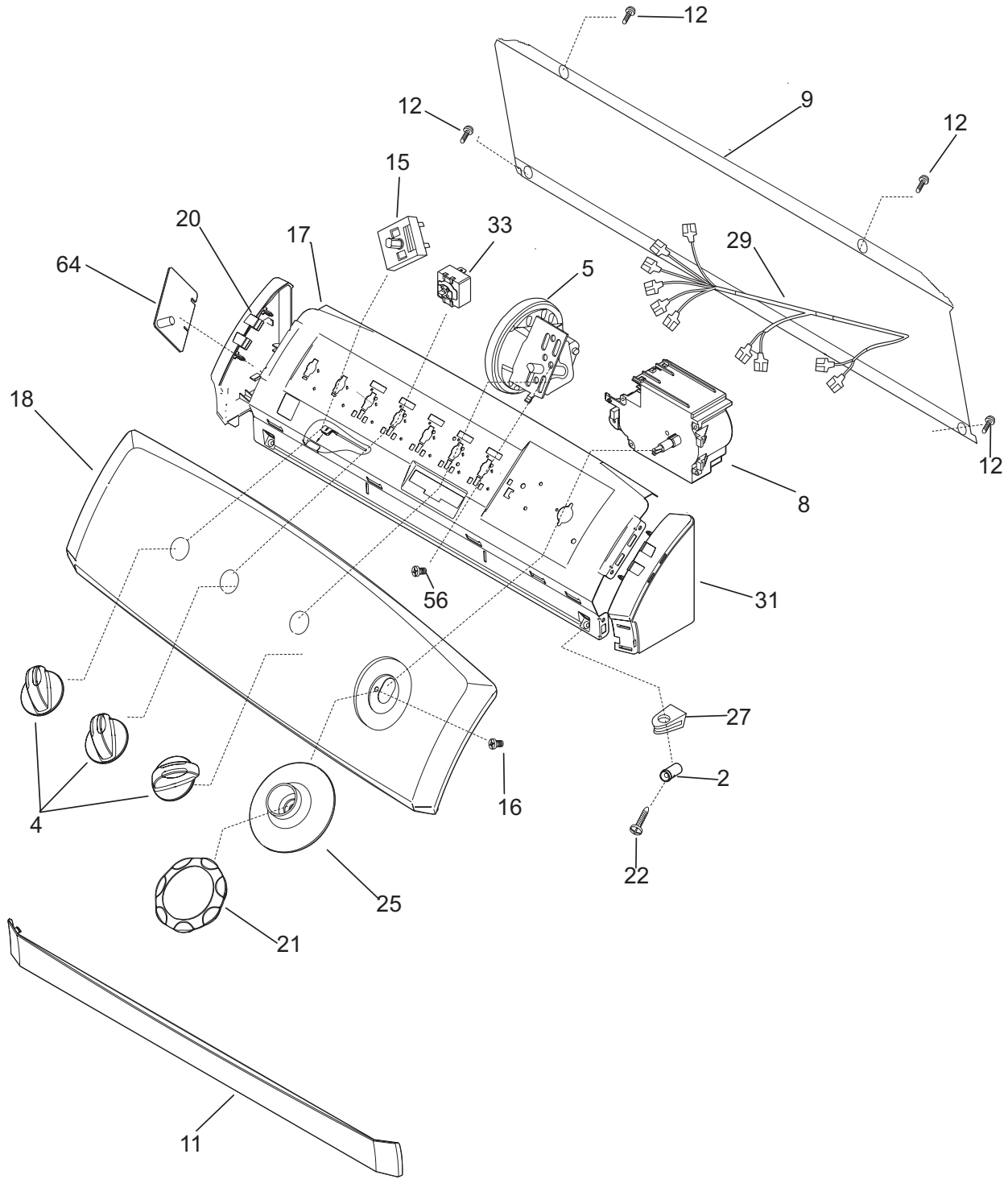
P12M0014

TRANSMISSION

Model Index: A GLWS1439F (GLWS1439FC0)
B GLWS1439F (GLWS1439FS0)

POS. NO	PART NO.		DESCRIPTION
2 #	134418700	A B	Hub, drive, agitator
3 #	134737100	A B	Transmission, service kit
6	134197900	A B	Screw, hex washer head, 1/4-20 x 0.437
26 #	5303279394	A B	Seal Assy, tub, transmission

CONTROL/PANEL



P12C0376

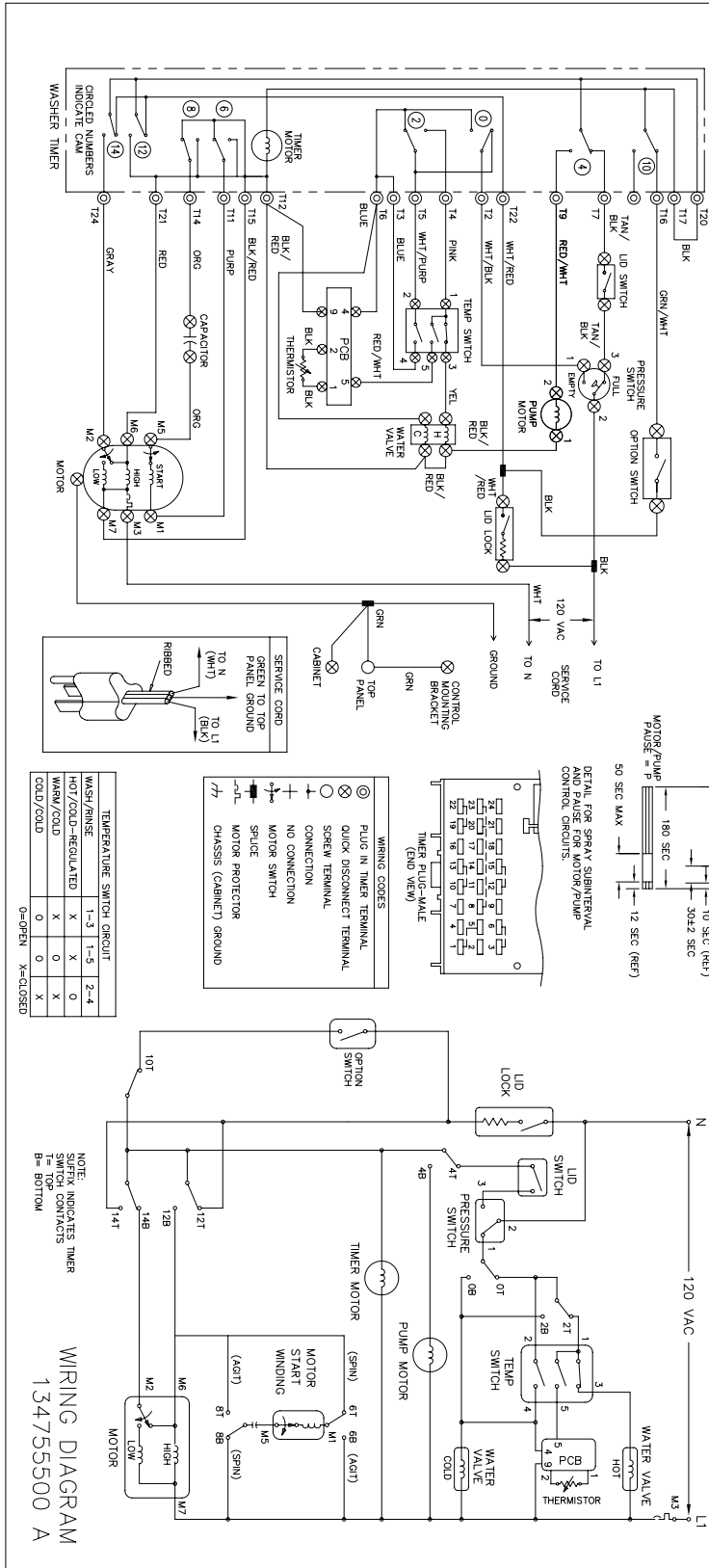
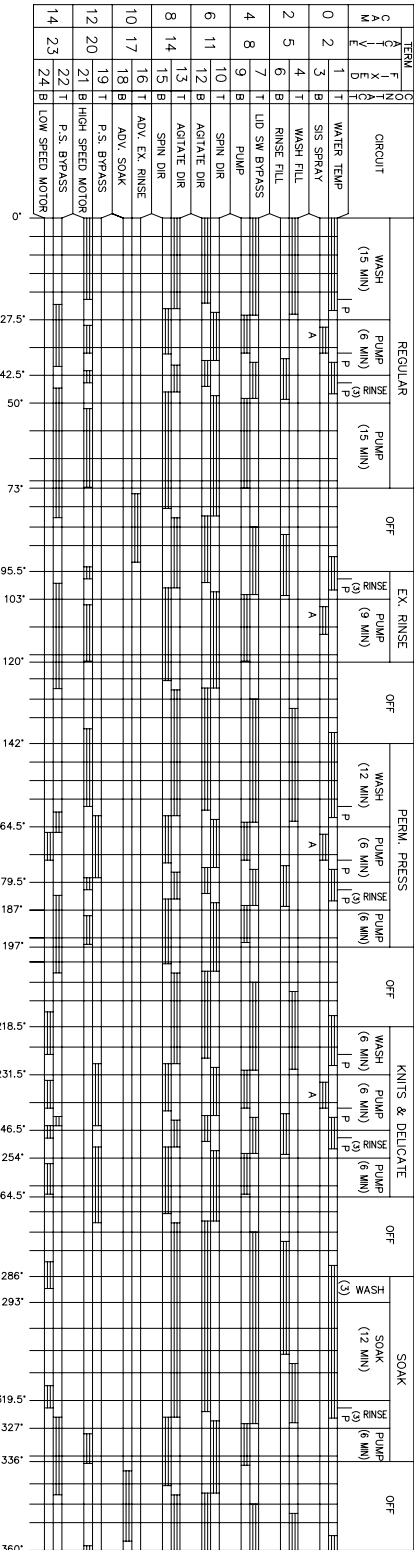
CONTROL/PANEL

Model Index: A GLWS1439F (GLWS1439FC0)
B GLWS1439F (GLWS1439FS0)

POS. NO	PART NO.		DESCRIPTION
2	134096100	A B	Spacer, console mtg
4	134034912	A -	Knob, rotary, graphite/silver
4	134034910	- B	Knob, rotary, white
5 #	134421000	A B	Switch, pressure, infinite
8 #	134049500	A B	Timer, 5-off
9	131992910	A B	Panel, backsheet, console
11	134019920	A -	Closure, console, silver, front
11	134019900	- B	Closure, console trim, white, front
12	131168200	A B	Screw, pan head, 8-18B x 0.31
15 #	134403500	A B	Switch, temp selector, 3 position
16	131477001	A B	Screw, pan head, 10-16AB x 0.375
17	131993040	A B	Bracket, control mtg.
18	134832100	A -	Panel, trimplate, white, console front
18	134831800	- B	Panel, trimplate, white, console front
20	134019621	A -	End Cap, silver, LH
20	134019610	- B	End Cap, white, LH
21	134035202	A -	Knob, timer, graphite, assy
21	134035200	- B	Knob, timer, white, assy
22	131266330	A B	Screw, 8-18 x 1.250
25	134035102	A -	Pointer, timer knob, graphite, silver ind.
25	134035100	- B	Pointer, timer knob, white, dark gray ind
27	131197000	A B	Clip, console mtg
29	134762500	A B	Wiring Harness, washer
31	134019620	A -	End Cap, silver, RH
31	134019600	- B	End Cap, white, RH
33 #	131243200	A B	Switch, 2 position
56	131243800	A B	Screw, pan hd locking, 8-32CA x 0.375, cup point
64 #	134810600	A B	Control Board, temperature, ATC

WIRING DIAGRAM

CAUTION: DISCONNECT ELECTRIC CURRENT BEFORE SERVICING



WIRING DIAGRAM

