



# Microwaves

CFMV162L W/B

30" Over-The-Range



## Product Dimensions

Height	16-13/32"
Width	29-7/8"
Depth	15-1/32"

## More Easy-To-Use Features

### Extra-Large 13-1/2" Diameter Glass Turntable

Big bowls and large casserole dishes are no problem for our extra-large glass turntable. It rotates for even cooking.

### Ready-Select® Controls

Easily select options with the touch of a button.

### Electronic Clock / Timer

Helps you keep track of cook times.

### Auto-Reheat Options

### Control Lock

### Charcoal Vent Filters

### Auto-Start Heat Sensor Vent Fan

### Ductless Vent Installation Option Included

## Available in:



White  
(W)

Black  
(B)

## Signature Features

### One-Touch Options

Our microwaves feature easy-to-use one-touch buttons so you can cook baked potatoes, popcorn, or even add 30 seconds with the touch of a button.

### Fits-More™ Capacity

Extra-large microwave provides 1.6 Cu. Ft. of cooking space and will hold almost any dish—even a 13" x 9" baking dish.

### Multi-Stage Cooking Option

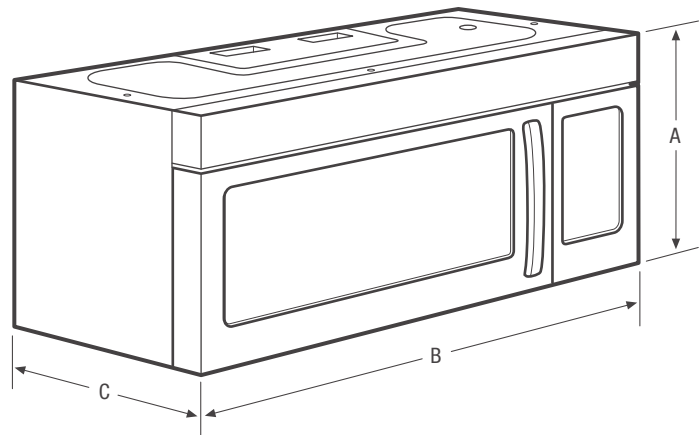
Our Multi-Stage Cooking option allows you to program power levels and cooking times in advance, customizing your microwave to your cooking needs.

### Two Speed Ventilation

Over-the-range microwave doubles as a hood offering ventilation with two fan speeds.

<b>Features</b>	
Control/ Timing System	Ready-Select®
Exterior Door Finish	Colour-Coordinated
Handle Design	Colour-Coordinated
Microwave Capacity (Cu.Ft.)	1.6
Convection	
Watts (IEC-705 Test Procedure)	1,000
Interior Light	Yes
Interior Colour	White
Turntable Diameter	13-19/32"
Turntable On/Off	
Control Lock	Yes
Clock	Yes
Touch Pad Buttons	23
Power Levels	High (1-9)
Accessory Metal Rack	
<b>Microwave Control Options</b>	
Popcorn Button	Yes
Chicken Nugget Button	
Baked Potato Button	Yes
Sensor Reheat Button	
Snack Button	
Beverage	Yes
Auto Melt & Soften Options	
Auto Reheat Options	Yes
Snack Menu Options	
Auto Cook Options	
Auto Defrost Options	Weight/Time
Multi-Stage Cooking Option	Yes
Keep Warm	
Add-30-Seconds	Yes
Sensor Cooking Options	
Vegetable Cook Sensor	
Delay Start	
User Preferences	
<b>Ventilation System</b>	
Ducted/Ductless Installation Option	Yes
Exhaust Fan (CFM)	2-Speed 170/300
Cooktop Light	Yes
Auto-Start Heat Sensor	Yes
Dishwasher-Safe Vent Filter (Ductless Installation)	Yes
<b>Power Ratings</b>	
Frequency (MHz)	2,450
Watts @ 120 Volts	1,000
Amps @ 120 Volts	13
<b>Optional Accessories</b>	
36" White Filler Panel Kit	PN# MWFILKTWH
36" Black Filler Panel Kit	PN# MWFILKTBK
<b>Specifications</b>	
Oven Interior (HxWxD)	9-1/4" x 20-1/4" x 14-13/32"
Power Supply Connection Location	Right Top Rear
Voltage Rating	120V / 60Hz / 15A
Connected Load (kW Rating) @ 120 Volts <sup>1</sup>	1.55
Minimum Circuit Required (Amps)	13
Shipping Weight (Approx.)	69 Lbs.

<sup>1</sup>For use on adequately wired 120V, dedicated circuit having 2-wire service with a separate ground wire. Appliance must be grounded for safe operation.



NOTE: For planning purposes only. Always consult local and national electric codes. Refer to Product Installation Guide for detailed installation instructions on the web at [frigidaire.ca](http://frigidaire.ca).



Product Dimensions	
A-Height	16-13/32"
B-Width	29-7/8"
C-Depth	15-1/32"

Cutout Dimensions	
Height (Min. from floor to top of unit)	66"
Width (Min.)	30"
Depth (Min.)	12"
Depth (Max.)	13"

Accessories information available on the web at [frigidaire.ca](http://frigidaire.ca)