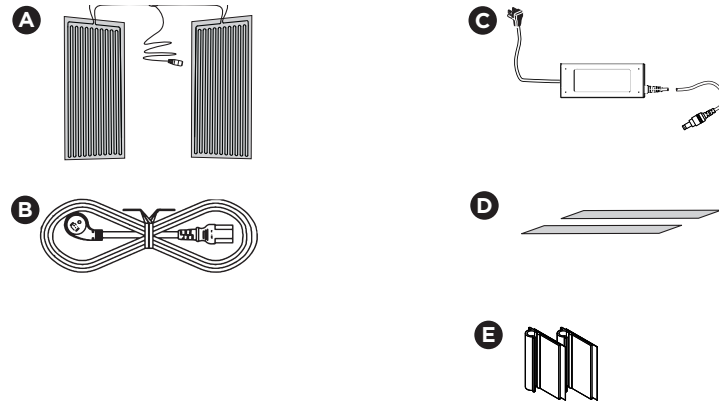


Installation Instructions for Single-Door Freezer and Refrigerator Pairing Kit

An authorized service technician is recommended to install the filtered ice kit.

Components



Contains:

Part	Part number	Qty.
A Heater Assembly: 12V 10W 14.4Ω, Aluminum foil sandwich, PVC wire insulation, Acrylic adhesive, 5.5 mm x 2.5 mm barrel connector spliced in heater assembly	A21442901	1
B AC Power Cable: Ultra low profile 6ft NEMA 5-15P to C13 Angled Power Cord, 3 pin plug	A21545701	1
C Power Supply: 12V 60W AC/DC Adapter, 5.5mm x 2.5mm x 10.5 mm plug connector	A21545401	1
D Double-sided Tape	316237303	2
E Clips	218990901	6

Recommended Tool: Gloves

IMPORTANT

Make sure there are two separate outlets for the freezer and the refrigerator as specified in **IMPORTANT SAFETY INFORMATION** in the Use & Care Manual.

Installation

Before cleaning your appliance, turn off power to your appliance by unplugging the power cord from the electrical outlet. Wipe down both sides of the refrigerator and the freezer.

NOTE

Never use CHLORIDE to clean stainless steel. Clean stainless-steel front and handles with non-abrasive soapy water and a dishcloth. Rinse with clean water and a soft cloth. Wipe stubborn spots with an ammonia-soaked paper towel, and rinse. Use a non-abrasive stainless-steel cleaner, such as **Frigidaire ReadyClean™ Stainless Steel Cleaner** found on Frigidaire.com. Always follow the manufacturer's instruction

NOTE

Always, clean, wipe and dry with the grain to prevent scratching. Wash the rest of the cabinet with warm water and mild liquid detergent. Rinse well and wipe dry with a clean soft cloth.

CAUTION

The cabinet is heavy. Two people are recommended to lift or move the cabinet.

- If you use the dual installation trim kit, install the levelers on the units before installing the heater (Fig. 1).

NOTE: Please refer to "U19 All Refrigerator and All Freezer Trim Kit Installation Instruction (A00343903--page 9 Fig. 9) for further trim kit installation instruction.

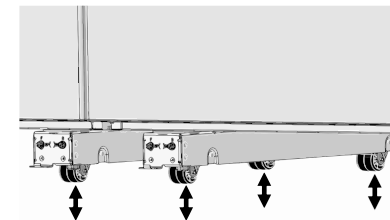


Fig. 1

NOTE: Use gloves for the next step.

- Peel off the paper backing from the first heater.
- Adhere the first heater to the lower right side of the left-side unit (0.5in from the bottom and 0.5in from the back wall) so the harnesses come out at the top.

NOTE: Make sure you adhere the heater completely with no air pockets (Fig. 2A).

- Peel off the paper backing from the second heater.
- Adhere the second heater to the upper left side of the right-side unit (0.5in from the top and 0.5in from the back wall) so the harnesses come out at the bottom.

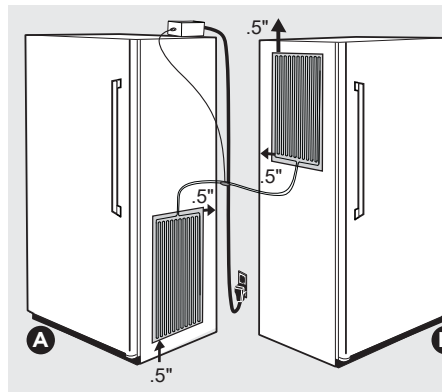


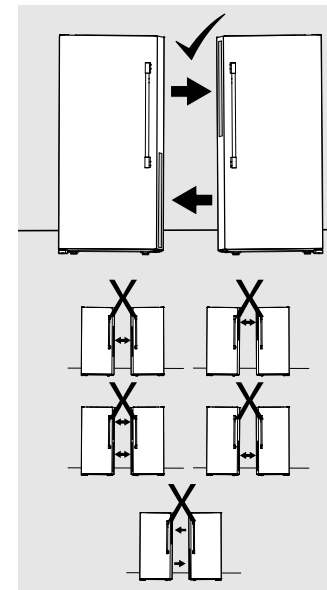
Fig. 2

NOTE: Make sure you adhere the heater completely with no air pockets (Fig. 2B).

NOTE: For the best results, please use the configurations of the heaters mentioned (Freezer- bottom right side and Refrigerator top left side).

Avoid:

- Both heaters on the Freezer
- Both heaters on the Refrigerator
- Both heaters on the top
- Both heaters on the bottom
- Both heaters in the center



- Plug in the connector of the two heaters (A) into the power supply (B) (Fig. 3).

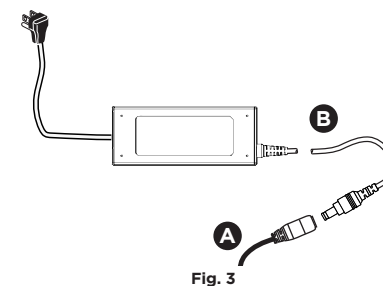


Fig. 3

NOTE: Confirm the power supply fits into the cutout when placed on top of the unit. Also confirm the power supply reaches the power outlet when placed on top of the unit (Fig. 4A).

- Apply the 2 strips of double-sided tape to the power supply and adhere the power supply on top of the unit (Fig. 4B).

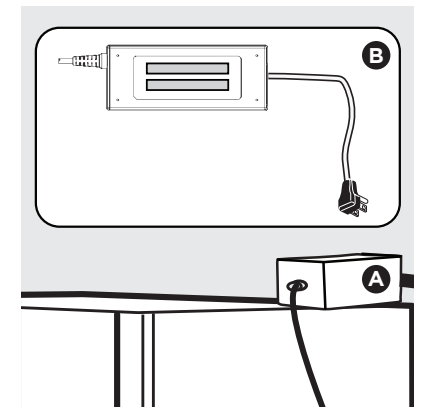


Fig. 4

- If the power supply cannot be placed on top of the unit, adhere it vertically on the back wall of the unit and make sure the connection of the 3-prong connector to the power supply is facing down (Fig. 5).

NOTE: You cannot feel the heater temperature.

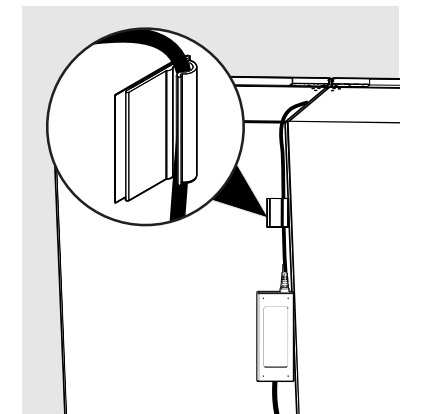


Fig. 5

- Push the two units together.
- Use the clips provided to hold the excess power cords to the back of the units such that all wires are away from the floor (Fig. 6).

NOTE: Make sure the harnesses and cables are cleared off the floor before the units are pushed back in place. This will prevent any damage to the wires.

NOTE: The location of clips shown is an example.

- Plug the power supply into the main outlet before pushing the units into the final position.
- Units can now be installed.

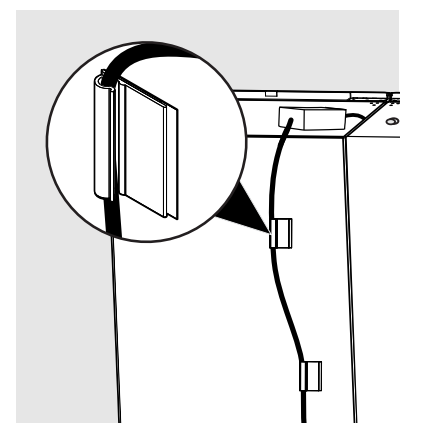


Fig. 6

Final Checklist

- Wipe down units
- Heater 1 on bottom right side of the freezer
- Heater 2 on top left side of the refrigerator
- Heater plugged into power supply
- Power supply adhered to desired position
- Power cables held away from the floor with the help of clips
- Power supply plugged into the outlet and green LED on