

Frigidaire

Factory Parts Catalog

Product No.	FFU1212DW0
Series	134A
Color	white
Volts	115
Wiring Diagram	216909700
Owner's Guide	216960000
Market	North America
Energy Guide	216794807

 **Electrolux**

ELECTROLUX HOME PRODUCTS, INC.
P.O. Box 212378, Augusta, GA 30917

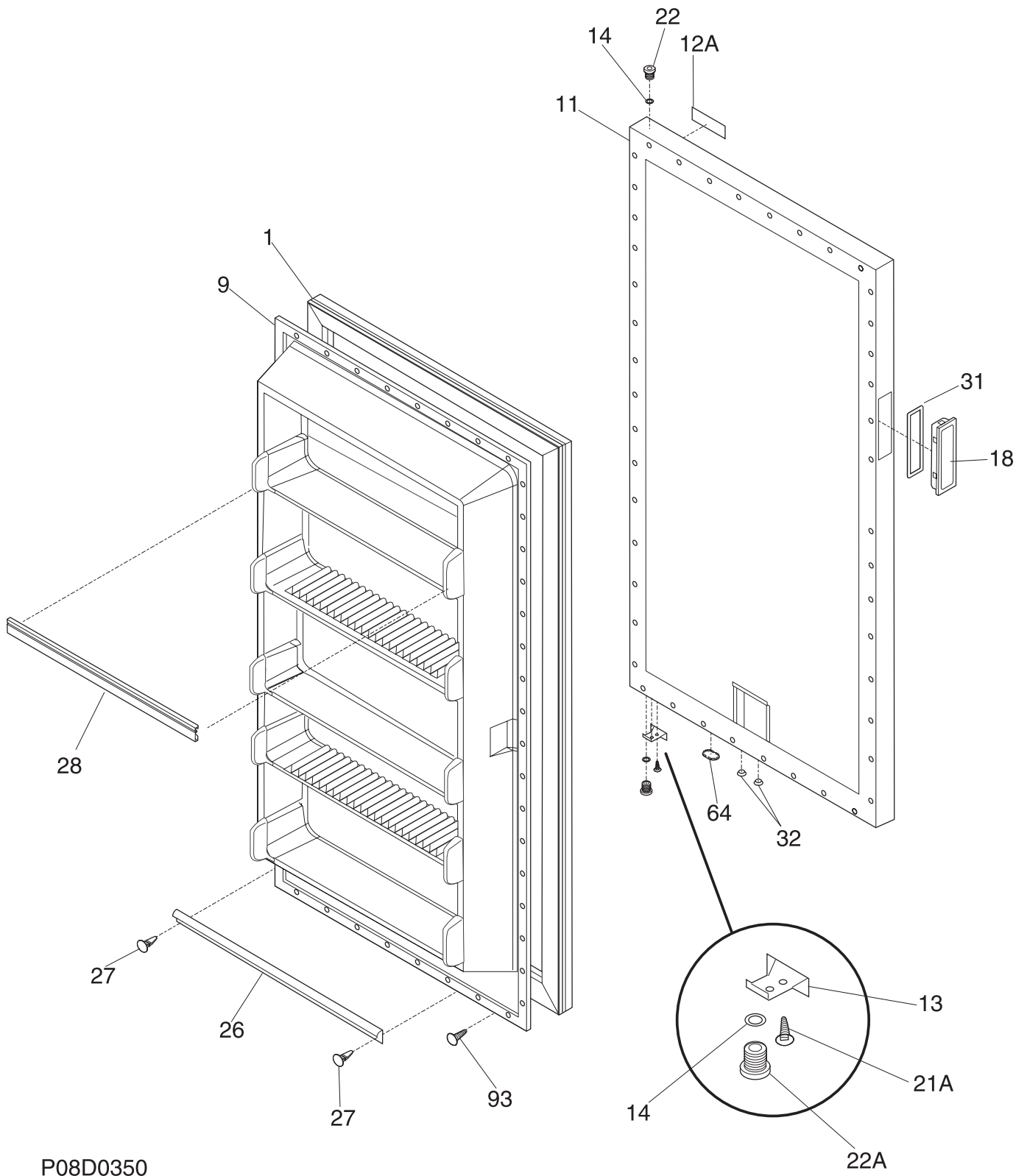
Publication No.
5995419867
04/10/25
(EN/SERVICE/MLR)
365

UPRIGHT FREEZER

Model No.
FFU1212DW

Copyright © 2004 Electrolux Home Products, Inc.
All rights reserved.

DOOR

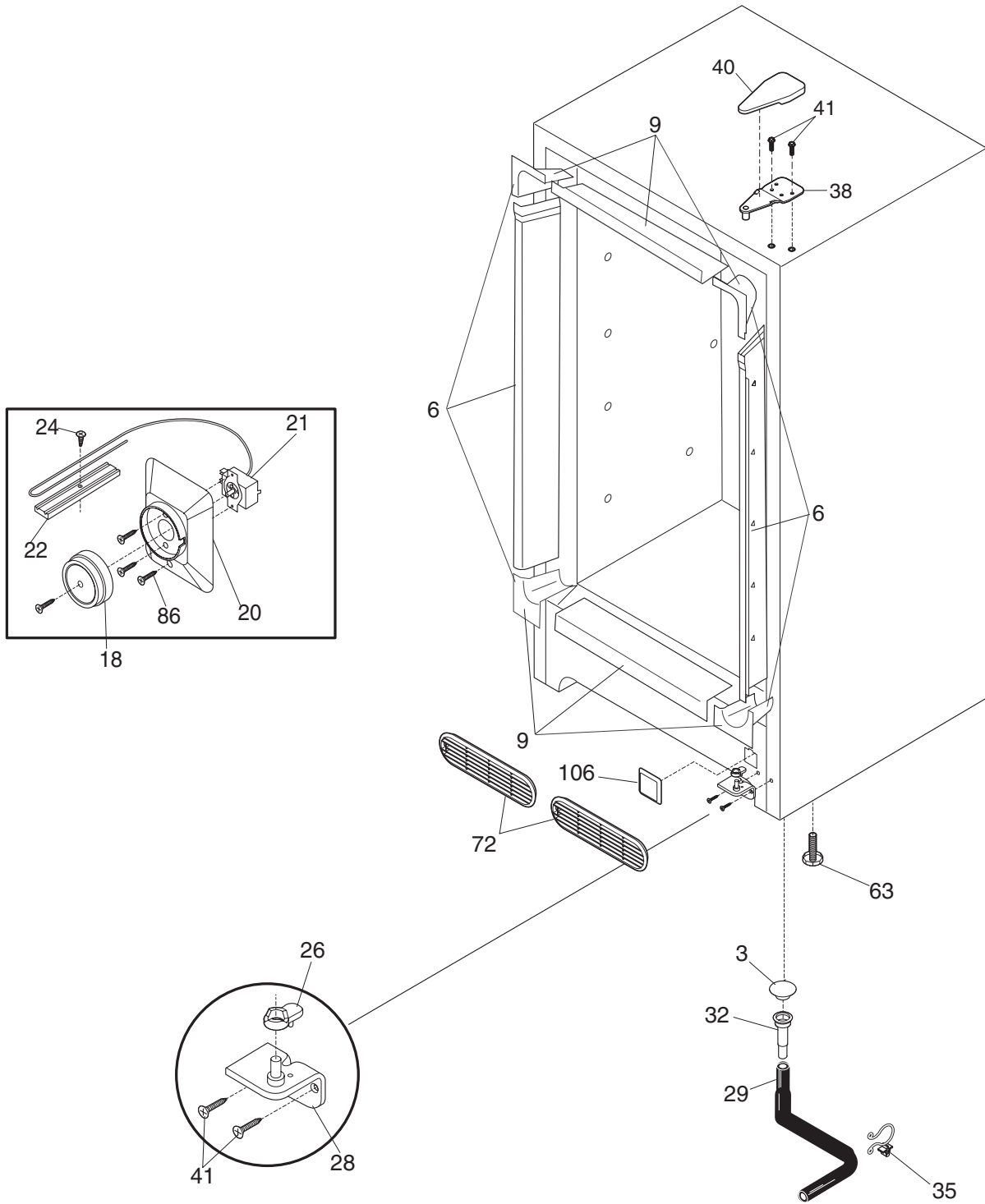


P08D0350

DOOR

POS. NO	PART NO.	DESCRIPTION
1	216522303	Gasket-door, white
9	216527412	Panel-inner door, frzr
11	216565416	Panel-outer door, white
12A	216892802	Nameplate
13	08016354	Door Stop
14	5303313518	Washer, sealing
18	216140206	Handle, recessed, black
21A	08005520	Screw, door stop mtg, 4.0 x 0.7-19.7, flat hd, metric
22	216443600	Bearing, hinge, top
22A	216503200	Bearing, hinge, bottom
26	216524300	Gasket, secondary
27	5303212828	Clip, panel mtg
28	216951601	Rack-door, (4)
31	08009392	Gasket, white
32	5309950074	Valve, breather, door base
64	216403700	Plug-button, hole filler, door base
93	5303161215	Screw, ph truss head, 8-18AB x 0.500

CABINET

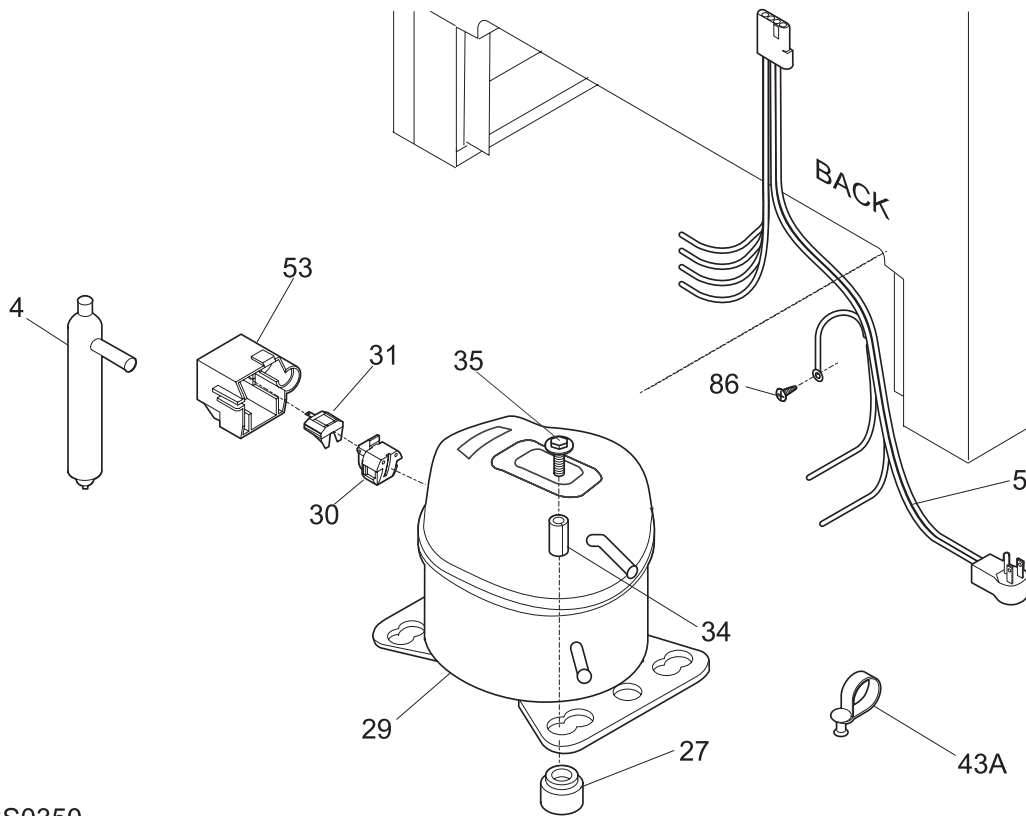
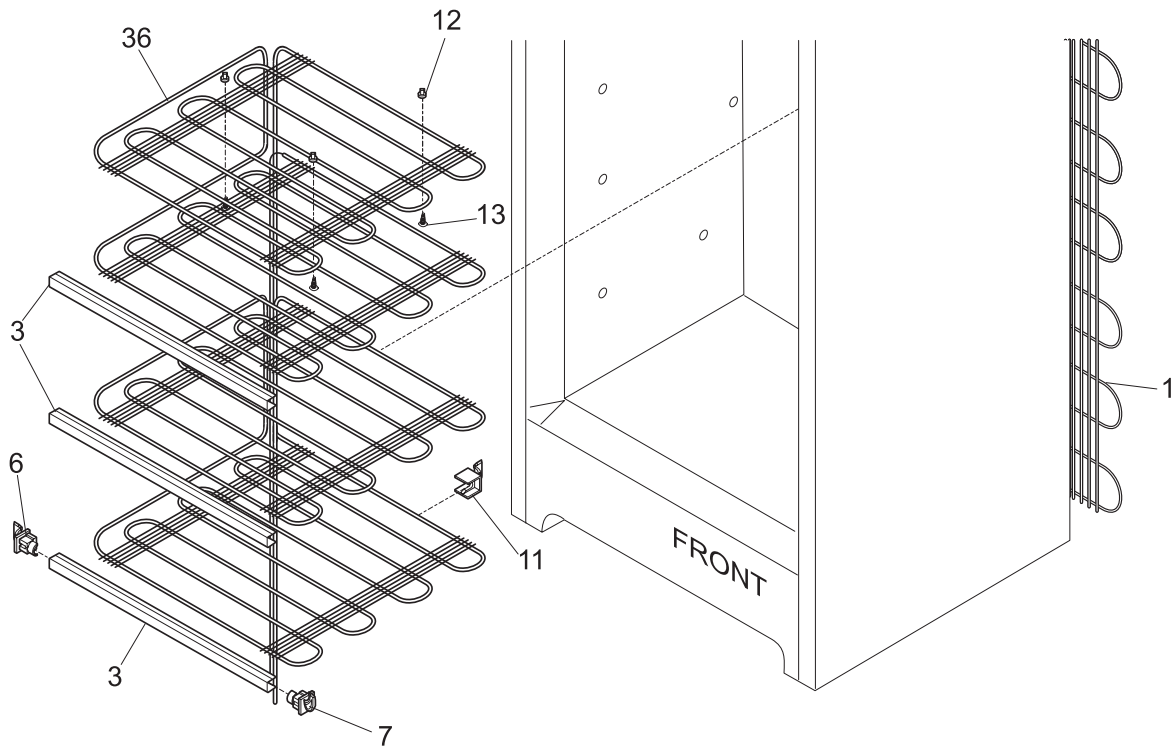


P08C0773

CABINET

POS. NO	PART NO.	DESCRIPTION
3	216502600	Plug, drain, interior
6	216604400	Breaker Kit w/corners
9	216603400	Breaker Kit w/corners, 22.13" long, top or bottom
18	216707200	Knob, temp control
20	216707300	Cover-control housing
21 #	216788100	Control-temperature
22	216823500	Clamp, cap tube, cold control
24	5300052943	Screw-clamp, truss hd cr, control
26	216503300	Ramp, door closer
28	216247400	Hinge, bottom
29	216313502	Hose-drain
32	5308005500	Drain
35	216273000	Clip, drain hose
38	216939100	Hinge-upper
40	216809000	Cover-hinge
41	216954400	Screw, 12-24 x.700 hwh, hinge mtg.
63	216396900	Screw, leveling foot, plastic, adjustable
72	216952701	Grille/guard, black, (2)
86	216036600	Screw, ph washer head, 8-32CA x 0.500, thread forming
106	216926301	Plug, square
*	09948773	Insulation, drain tube
*	216794807	Energy Guide
*	5303305324	Paint, touch-up, white

SYSTEM



P08S0350

SYSTEM

POS. NO	PART NO.	DESCRIPTION
1 #	5300123788	Condenser
3	216847804	Trim-shelf, white, evaporator, (3)
4	216634500	Drier-filter
5 #	216891500	Harness, electrical
6	3091418	Support-shelf, front LH
7	08037928	Support-shelf, front RH
11	216474600	Support-rear shelf
12	216225700	Grommet-spacer
13	216138900	Screw, hex sems, 8-18AB x 1.00, evap
27	5308002681	Grommet, compressor
29 #	216888100	Compressor, w/o electricals
30	216596800	Starter, relay
31 #	216100106	Overload Protector
34	5306594529	Sleeve-compressor, (3)
35	5303272328	Screw, lnd hex sems, 1/4-28 unfx, compressor, (3)
36 #	216940100	Evaporator, tubing assy, white
43A	216629700	Clip
53	216347800	Cover terminal, cover-comp term
86	216036600	Screw, ph washer head, 8-32CA x 0.500, thread forming
*	216502500	Sleeve, suction line