

*Frigidaire*

Factory Parts Catalog

Product No.	FFU1724DW0
Series	134A
Color	white
Volts	115
Wiring Diagram	216803200
Owner's Guide	216960000
Market	North America
Energy Guide	216795006

 **Electrolux**

ELECTROLUX HOME PRODUCTS, INC.  
P.O. Box 212378, Augusta, GA 30917

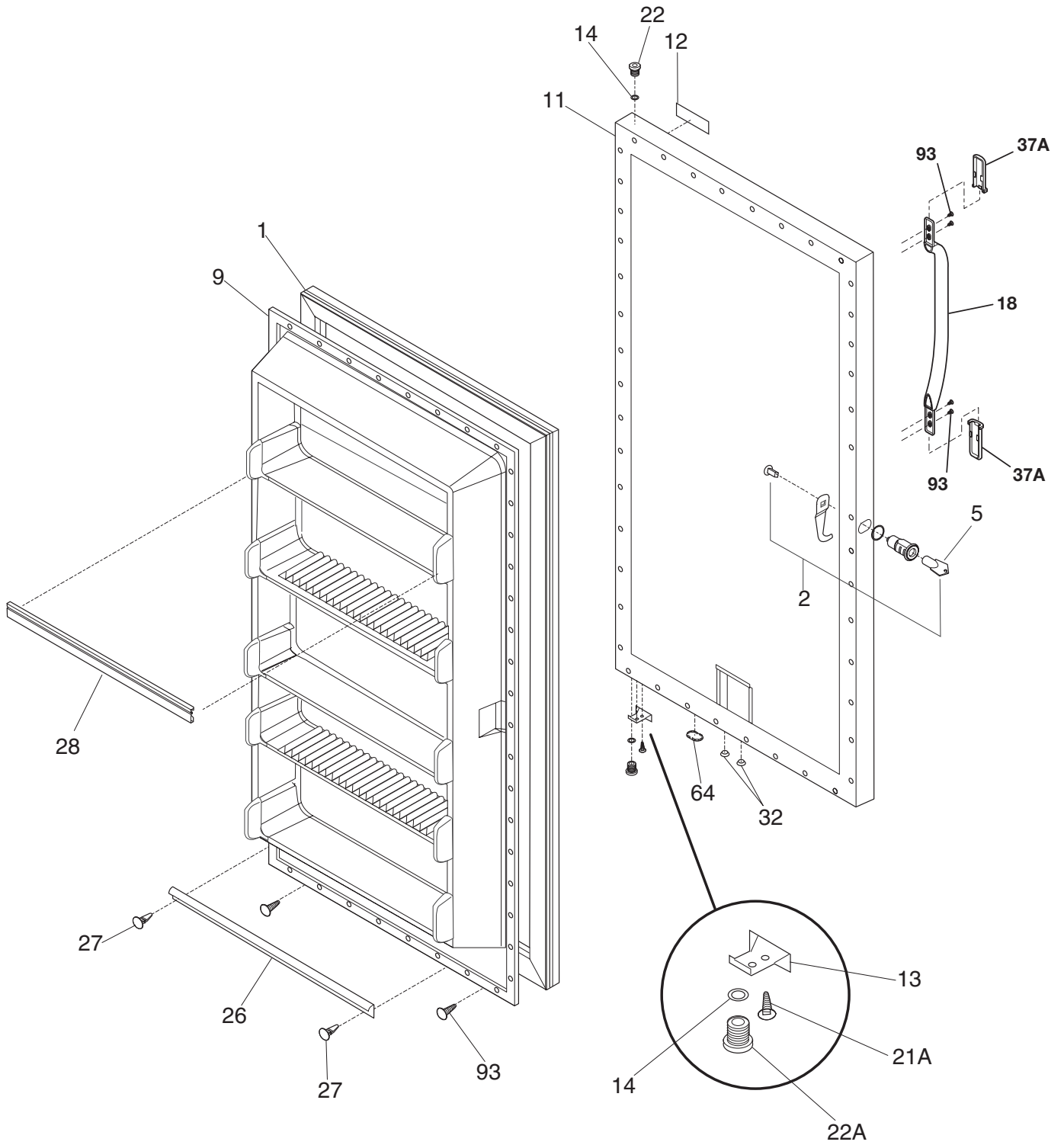
Publication No.  
**5995414868**  
04/08/11  
(EN/SERVICE/MLR)  
365

**UPRIGHT FREEZER**

Model No.  
**FFU1724DW**

Copyright © 2004 Electrolux Home Products, Inc.  
All rights reserved.

DOOR



P08D0368

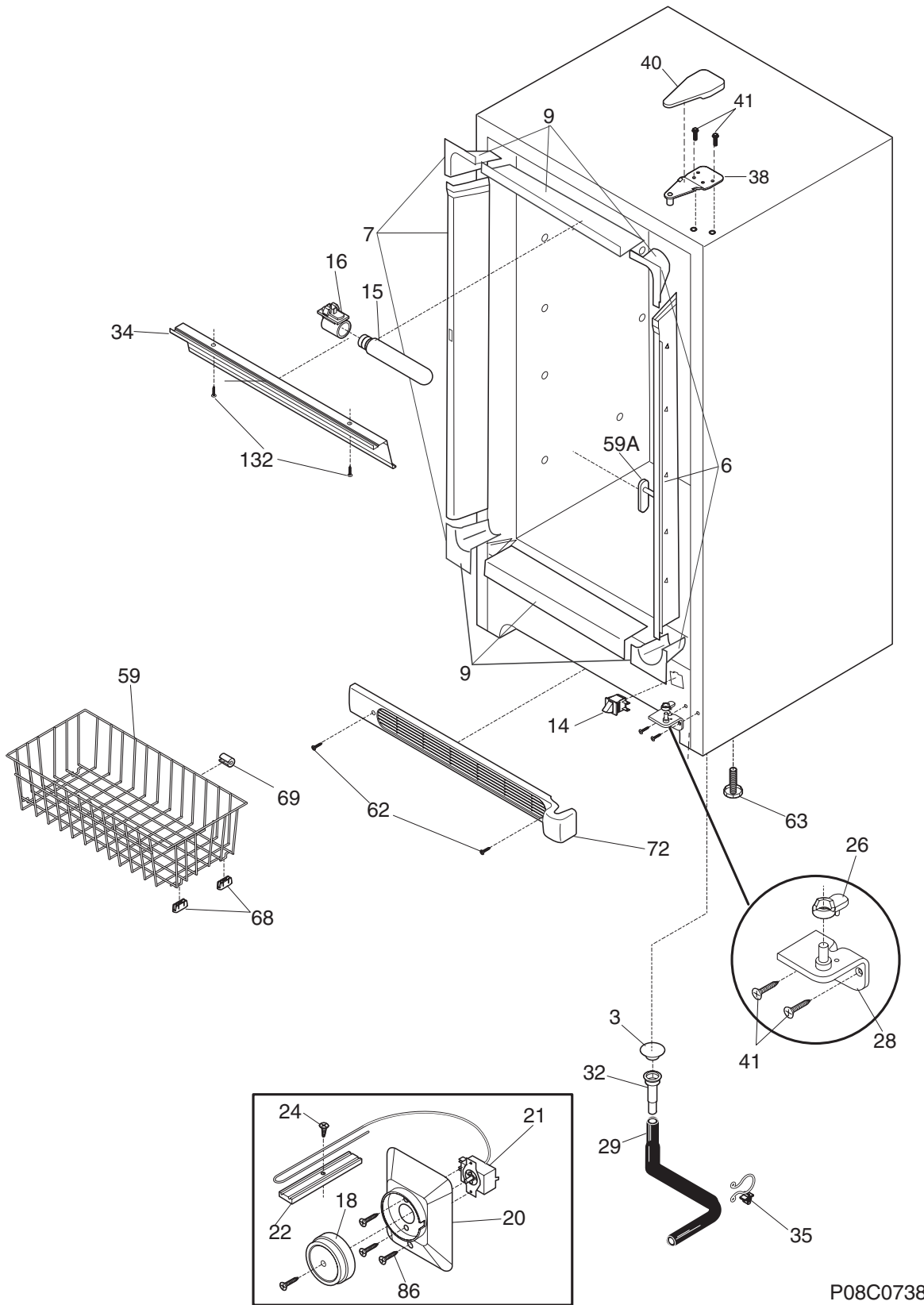
---

**DOOR**


---

POS. NO	PART NO.	DESCRIPTION
1	216522309	Gasket-door, white
2	5303925107	Lock Assy
5 #	216702900	Key, lock
9	216527816	Panel-inner door, frzr
11	216526523	Panel-outer door, white
12	216892800	Nameplate
13	08016354	Door Stop
14	5303313518	Washer, sealing
18	218762701	Handle-door, white
21A	08005520	Screw, door stop mtg, 4.0 x 0.7-19.7, flat hd, metric
22	5303925197	Bearing, hinge, top
22A	216503200	Bearing, hinge, bottom
26	216524200	Gasket, secondary
27	5303212828	Clip, panel mtg
28	216951600	Rack-door, (5)
32	5309950074	Valve, breather, door base
37A	215870629	Trim-handle, 2.47", white, w/satin AL band
37A*	218676004	Band-decorative, satin aluminum, handle trim
64	216403700	Plug-button, hole filler, door base
93	5303161215	Screw, ph truss head, 8-18AB x 0.500

CABINET

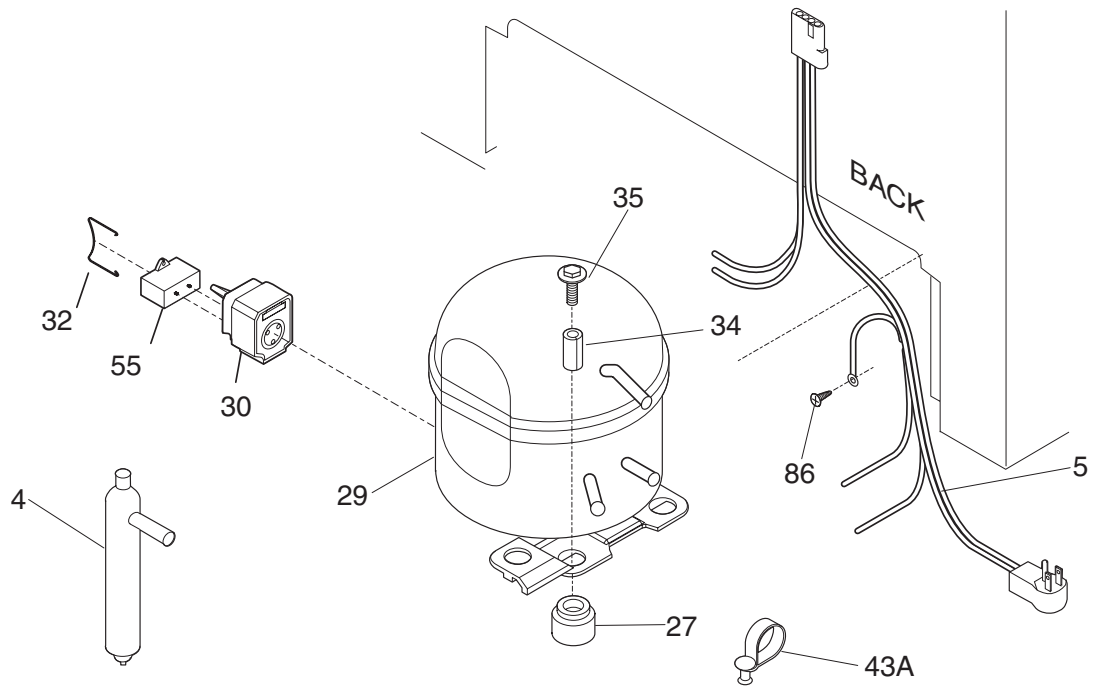
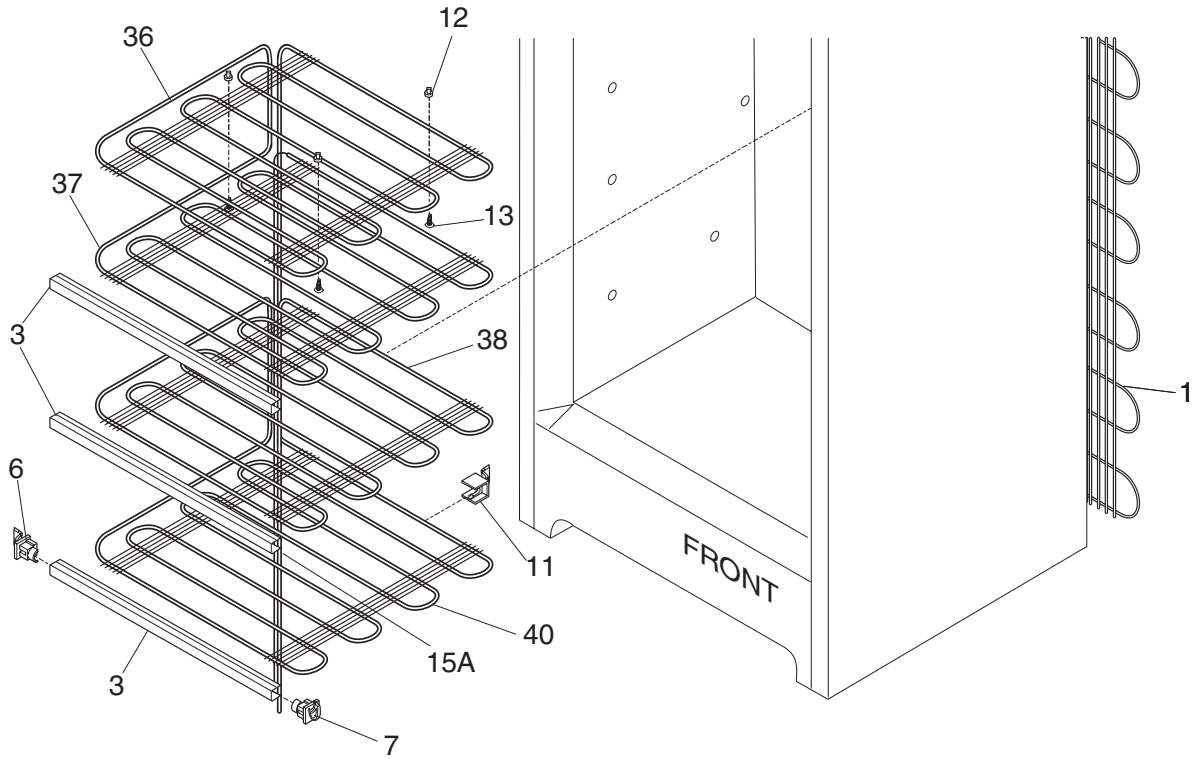


P08C0738

**CABINET**

POS. NO	PART NO.	DESCRIPTION
3	216502600	Plug, drain, interior
6	216604200	Breaker Kit w/corners
7	216603700	Breaker Kit w/corners, lock catch
9	216603300	Breaker Kit w/corners, 32", top or bottom
14	216822900	Switch, light/lamp, ramp
15	216846400	Light Bulb/Lamp
16	216817600	Socket, light/lamp, 25 W
18	216707200	Knob, temp control
20	216707300	Cover-control housing
21 #	216788100	Control-temperature
22	216823500	Clamp, cap tube, cold control
24	5300052943	Screw-clamp, truss hd cr, control
26	216503300	Ramp, door closer
28	216247400	Hinge, bottom
29	216313502	Hose-drain
32	5308005500	Drain
34	216816200	Shield-light
35	216273000	Clip, drain hose
38	216939100	Hinge-upper
40	216809000	Cover-hinge
41	216954400	Screw, 12-24 x .700 hwh, hinge mtg.
59	216154400	Basket
59A	216486500	Stop-basket
62	131420300	Screw, cr truss head, 8-18AB x 0.750
63	216396900	Screw, leveling foot, plastic, adjustable
68	08009560	Glide-basket, (4)
69	5305878546	Bumper-basket, (2)
72	216946600	Grille/Kickplate, 32", white
86	216036600	Screw, ph washer head, 8-32CA x 0.500, thread forming
132	5303283898	Screw, 6-20AB x 3/8
*	09948773	Insulation, drain tube
*	216795006	Energy Guide
*	5303305324	Paint, touch-up, white

**SYSTEM**



P08S0366

---

**SYSTEM**


---

POS. NO	PART NO.	DESCRIPTION
1 #	5300083897	Condenser
3	216847806	Trim-shelf, evaporator, (3)
4	216634500	Drier-filter
5 #	216910900	Harness-main
6	3091418	Support-shelf, front LH
7	08037928	Support-shelf, front RH
11	216474600	Support-rear shelf
12	216225700	Grommet-spacer
13	216138900	Screw, hex sems, 8-18AB x 1.00, evap
27	5308002681	Grommet, compressor
29 #	216941800	Compressor, w/o electricals
30	216649315	Controller
32	216649100	Clamp, elec cont mtg, compressor
34	5306594529	Sleeve-compressor, (3)
35	5303272328	Screw, lnd hex sems, 1/4-28 unfx, compressor, (3)
36 #	216939900	Evaporator, tubing assy, white
43A	216629700	Clip
55	218909913	Capacitor-run, 220 VAC, 15 microfarad
86	216036600	Screw, ph washer head, 8-32CA x 0.500, thread forming
*	216502500	Sleeve, suction line
*	5303298960	Spacer-tube, 0.237" ID