

FRIGIDAIRE

Factory Parts Catalog



Product No.	FFWC38B2RS1	FFWC38L2QS1	FFWC3822QS1
Series	Frigidaire	Frigidaire	Frigidaire
Market	North America	North America	North America
Color	stainless/glass	stainless/glass	stainless/glass
Volts	120	120	120
Owner's Guide	242101901	242101901	242101901

Frigidaire

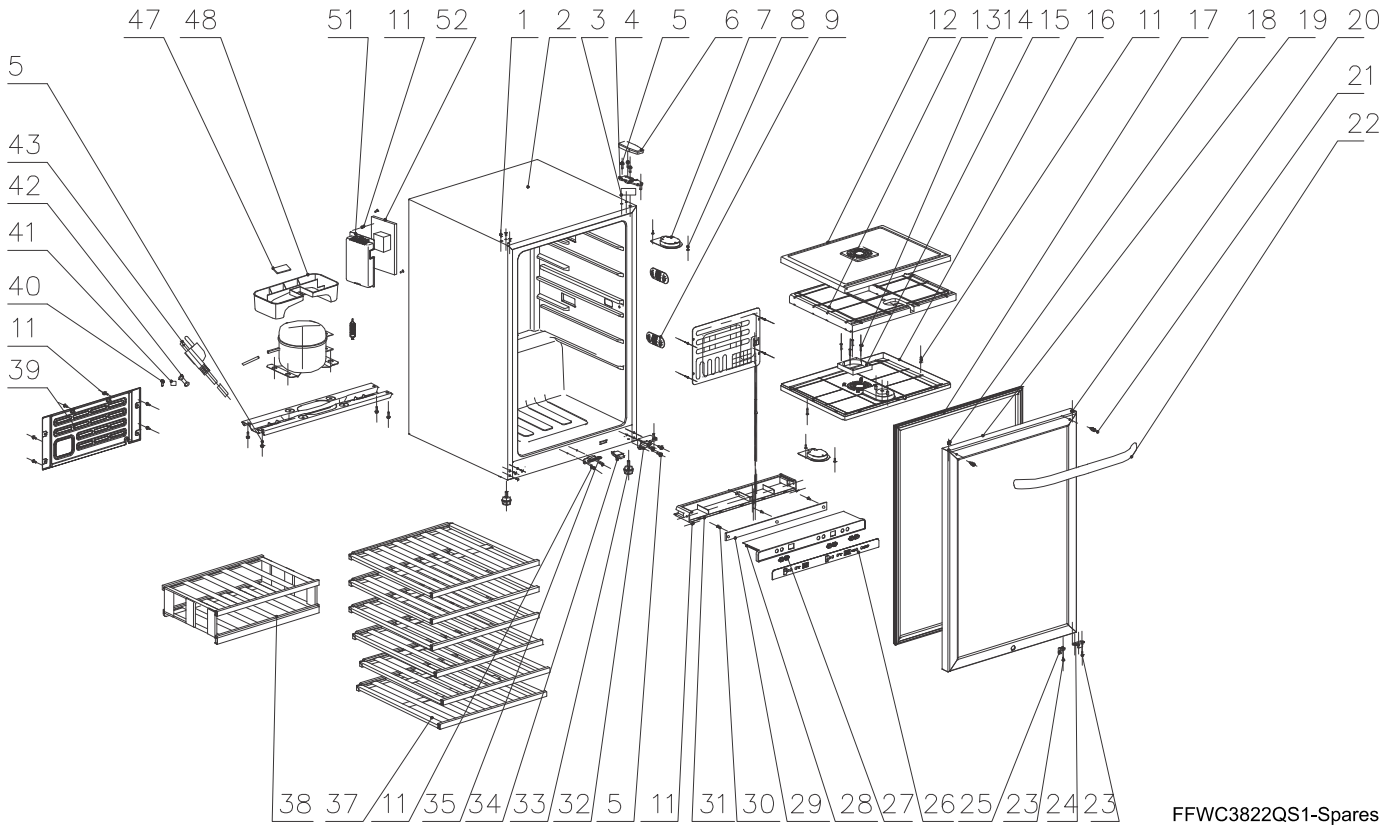
P.O. BOX 8020
CHARLOTTE, NC 28262

Publication No.
5995706529
18/08/17
(EN/SERVICE/ECL)
099

WINE COOLER

Model No.
FFWC38B2R /
FFWC38L2Q /
FFWC3822Q

RECOMMENDED SPARES



FFWC3822QS1-Spares

RECOMMENDED SPARES

Model Index: A FFWC38B2R (FFWC38B2RS1)
 B FFWC38L2Q (FFWC38L2QS1)
 C FFWC3822Q (FFWC3822QS1)

POS. NO	PART NO.		DESCRIPTION
2	5304479779	A B C	Plug, hinge hole, cabinet
3	5304479780	A B C	Washer, top hinge
4	5304479781	A B C	Hinge, top
5	5304480019	A B C	Screw, hinge, (6)
6	5304479782	A B C	Cover, top hinge
7 #	5304479803	A B C	Lamp Assembly, LED
8	5304479804	A B C	Screw, tapping, stainless steel
9	5304479805	A B C	Cover, temp sensor
9* #	5304479971	A B C	Thermistor, temp sensor
11	5304479807	A B C	Screw, tapping, stainless steel
12	5304479874	A B C	Panel, divider, top
13	5304479875	A B C	Divider, styrofoam
14	5304480020	A B C	Screw, tapping
15 #	5304479935	A B C	Fan
16	5304479876	A B C	Panel, divider, bottom
17	5304479808	A B C	Gasket, door
18	5304479809	A B C	Plug, door hole
19	5304479810	A B C	Door Assembly, glass
20	5304479789	A B C	Bushing, hinge
21	5304479811	A B C	Screw, shoulder, door handle
22	5304479812	A B C	Handle Assembly, door
23	5304479813	A B C	Screw, tapping, door
24	5304479790	A B C	Stop, door
25	5304479791	A B C	Bracket, door switch
26	5304479814	A B C	Control Panel, console
27	5304479936	A B C	Push Button
28	5304479815	A B C	Overlay, control board, cover
29 #	5304507019	A B C	PC Board, input, display
30	5304479817	A B C	Screw, tapping, (2)
31	5304479818	A B C	Base, display board
32	5304479792	A B C	Hinge, bottom
33	5304479819	A B C	Foot, leveling screw, cabinet
34	5304479794	A B C	Switch, lamp/light
35	5304479795	A B C	Latch, door
37	5304479820	A B C	Shelf, wine, wood
38	5304479821	A B C	Rack, removeable, bottom
39	5304479822	A B C	Cover, access, rear
40	5304480022	A B C	Screw, tapping
41	5304479823	A B C	Clamp, strain relief, power cord
42	5304479838	A B C	Sleeve, power cord
43 #	5304479824	A B C	Power Cord, electric
47	5304479828	A B C	Pad, thermal mastic
48	5304479799	A B C	Tray, drip pan
51	5304479835	A B C	Cover, control box
52 #	5304507018	A B C	PC Board, main

WIRING DIAGRAM

