



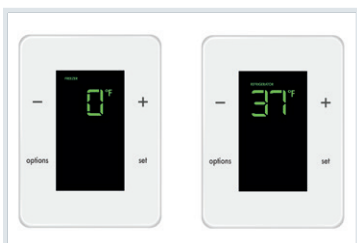
2-in-1 Convertible Freezer/Refrigerators

FGVU21F8Q T/F

Frost-Free 20.5 Cu. Ft.



Signature Features



2-in-1 Freezer or Refrigerator

As your cold storage needs change, our 2-in-1 freezer or refrigerator offers you the flexibility to switch between freezer and refrigerator.



SpaceWise® Colour-Coordinated Baskets

Take organization to the next level with our heavy-duty colour-coordinated plastic baskets that can help you organize items by categories or purchase date so items are much easier to find.



SpaceWise® Organization System

Our SpaceWise® Organization System offers organizational solutions you can customize to fit your needs like our adjustable shelving and door bins, and our colour-coordinated plastic baskets.



Frost-Free Operation

Never defrost your freezer again so you can spend time on more important things.

Product Dimensions

Height (Including Hinges)	73-3/16"
Width	34"
Depth (Including Door)	30-1/2"

More Easy-To-Use Features

Bright LED Lighting

Bright LED theatre lighting so you can spend less time digging through your freezer for items.¹

Smudge-Proof™ Stainless Steel²

Resists fingerprints and is easy to clean.

Soft Freeze™ Zone

A bin that remains slightly warmer than the freezer interior for convenient storage for soft freeze items such as ice cream.

SpaceWise® Adjustable Door Bins

Flexible storage options, with door bins you can organize to fit your needs..

SpaceWise® Pizza Shelf

Keep frozen pizzas organized on the pizza shelf so you have easy access when you want to heat one up.

SpaceWise® Adjustable Shelving

Adjustable shelf allows you to customize your freezer so you can fit different size items as your needs change.

Express-Select® Controls

Thicker Walls

Keeps food frozen for over 2 days if there is a power outage.³

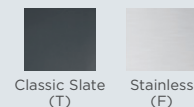
Door Lock

Store-More™ Crisper Drawer



ENERGY STAR®

Available in:



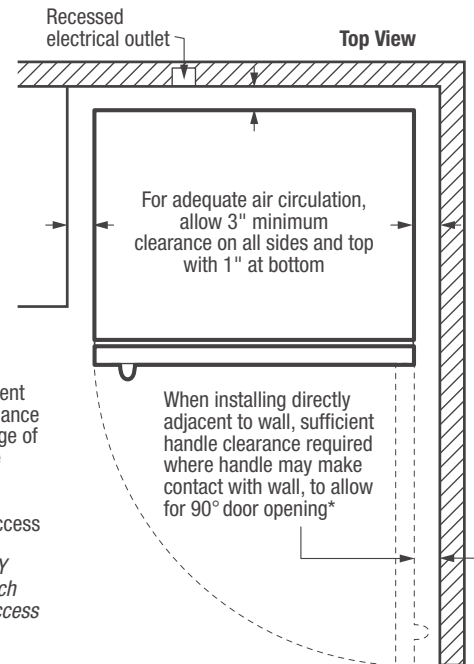
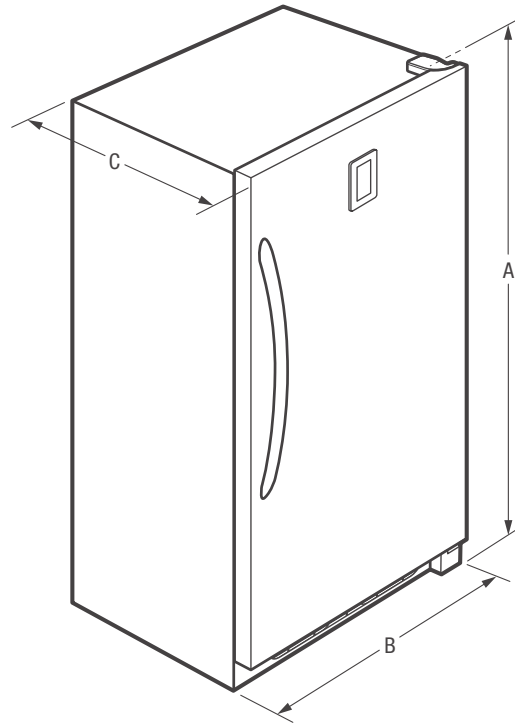
¹ Compared to Incandescent, 25W and 40W bulbs.

² Select Models Only.

³ Average cabinet temperature as tested per AHAM standard HRF-1-2007 Section 7.9 at 70 degrees with door remaining closed.

Features	
Door Handle Design	Reach-Through
Reversible Door	
Automatic Door Closer	Yes
Leveling Legs	Yes
Defrost	Frost-Free
Adjustable Temperature Control	Express-Select® LCD
Front Digital Display	Yes
Temp Display Mode	F/C
High-Temp Alarm	Yes
Door Ajar Alarm	Yes
Interior Lighting	Theatre LED
Full-Width Adjustable Shelves	3 SpaceWise® Glass
Mid-Level Basket	1
Retractable Pizza Shelf	1
Crisper Drawer	1 Clear
Soft Freeze™ Zone	Yes
Store-More™ Adjustable Door Bins	4 Clear
Full-Width Door Bins	1 Clear
Convertible	Yes
Certifications	
ENERGY STAR®	Yes
CSA Rating	Household
Specifications	
Total Capacity (Cu. Ft.)	20.5
Shelf Area (Sq. Ft.)	13.1
Annual Energy (kWH)	345
Annual Energy Cost (.12/kWH)	\$41
Power Supply Connection Location	Lower Right Rear
Voltage Rating	115V / 60Hz / 15A
Connected Load (kW rating) @ 115 Volts¹	.60
Amps @ 115 Volts	5
Minimum Circuit Required (Amps)	15
Shipping Weight (Approx.)	230 Lbs.

¹An electrical supply with grounded three-prong receptacle is required. The power supply circuit must be installed in accordance with current edition of National Electrical Code (NFPA 70) and local codes & ordinances.



* When installing freezer adjacent to wall, cabinet or other appliance that extends beyond front edge of unit, 20" minimum clearance recommended to allow for optimum 140° door swing, providing complete basket access and removal. (Absolute 3" minimum clearance will ONLY allow for 90° door swing which will provide limited basket access with restricted removal.)

NOTE: For planning purposes only. Always consult local and national electric codes. Refer to Product Installation Guide for detailed installation instructions on the web at frigidaire.ca.



Product Dimensions	
A - Height (Including Hinges)	73-3/16"
B - Width	34"
C - Depth (Including Door)	30-1/2"
D - Depth with Door Open 90°	62-1/8"

Accessories information available on the web at frigidaire.ca